



US00D486215S

(12) **United States Design Patent**
Hsieh

(10) **Patent No.:** **US D486,215 S**

(45) **Date of Patent:** **** Feb. 3, 2004**

(54) **COMBINED CEILING FAN AND LIGHT
FIXTURE UNIT**

D476,406 S * 6/2003 Friedes D23/377

* cited by examiner

(76) **Inventor:** **Frank Hsieh**, 235 Chung-Ho Box 8-24,
Taipei (TW)

Primary Examiner—Lisa Lichtenstein

(**) **Term:** **14 Years**

(57) **CLAIM**

The ornamental design for a combined ceiling fan and light
fixture unit, as shown and described.

(21) **Appl. No.:** **29/181,611**

(22) **Filed:** **May 14, 2003**

DESCRIPTION

(51) **LOC (7) Cl.** **23-04**

(52) **U.S. Cl.** **D23/377**

(58) **Field of Search** D23/411, 377,
D23/379, 385, 413; 416/5; 392/364; 362/96;
D26/59, 81-88, 72

FIG. 1 is a perspective view of a combined ceiling fan and
light fixture unit showing my new design;
FIG. 2 is a front elevational view thereof;
FIG. 3 is a rear elevational view thereof;
FIG. 4 is a left side view thereof;
FIG. 5 is a right side view thereof;
FIG. 6 is a top plan view thereof; and,
FIG. 7 is a bottom plan view thereof.

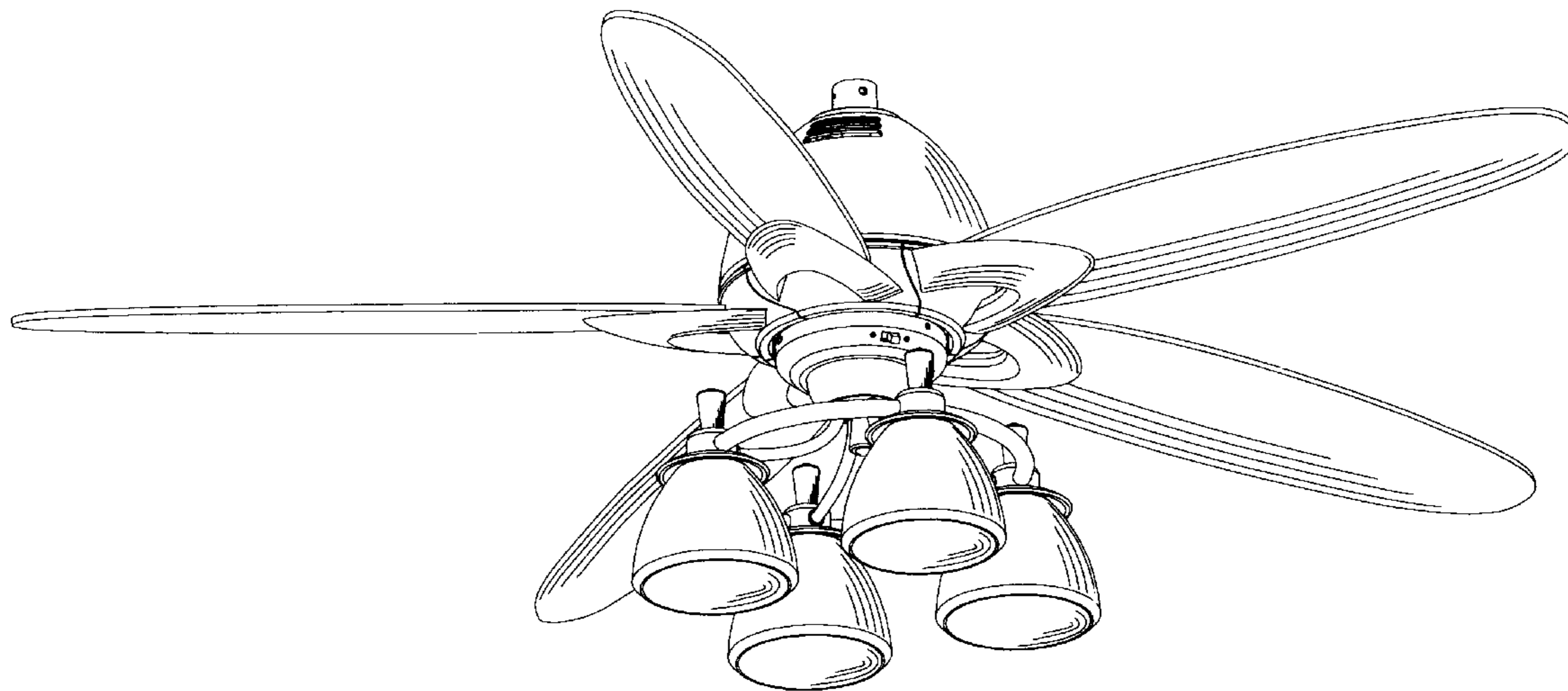
(56) **References Cited**

U.S. PATENT DOCUMENTS

D424,679 S * 5/2000 LaSpina D23/377

D475,775 S * 6/2003 Da Costa D23/377

1 Claim, 7 Drawing Sheets



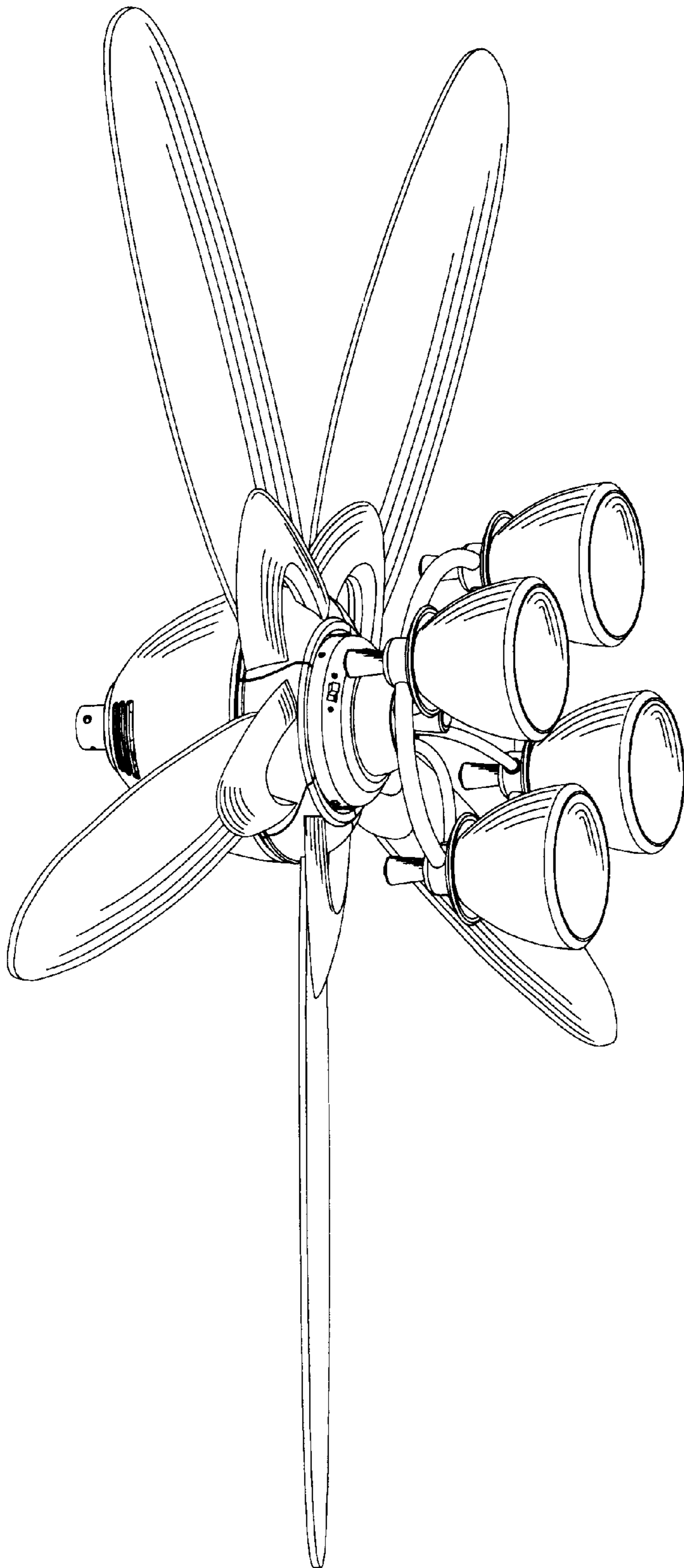


FIG.1

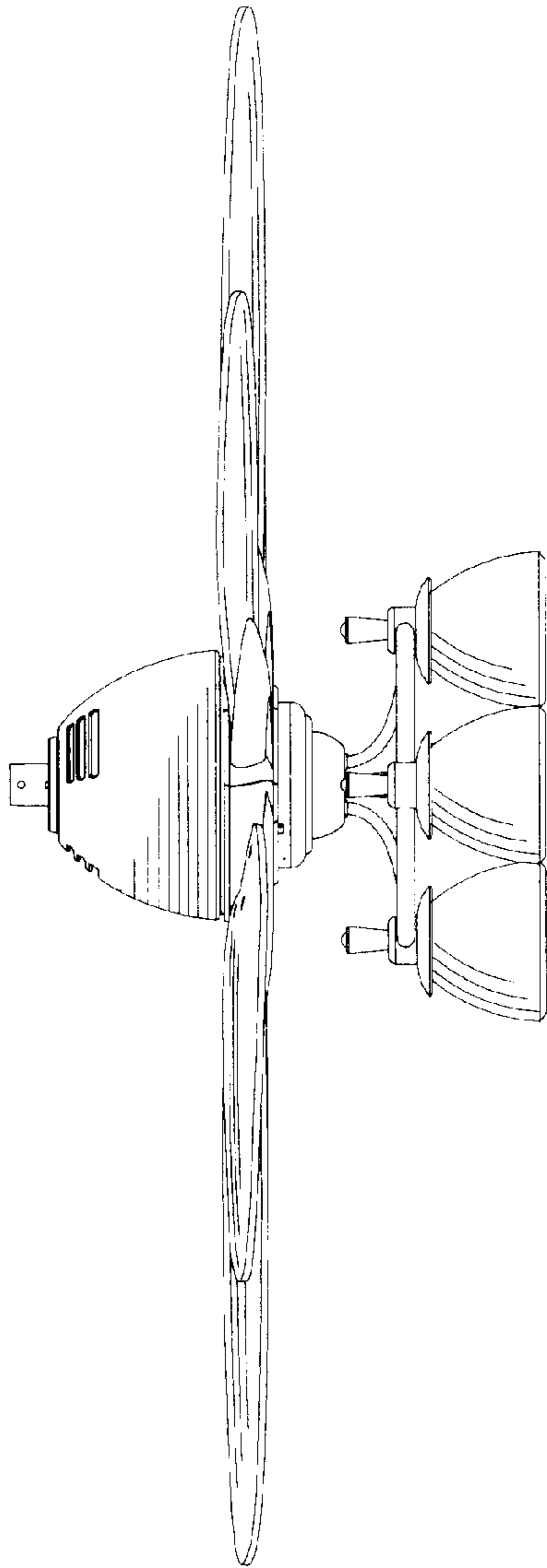


FIG. 2

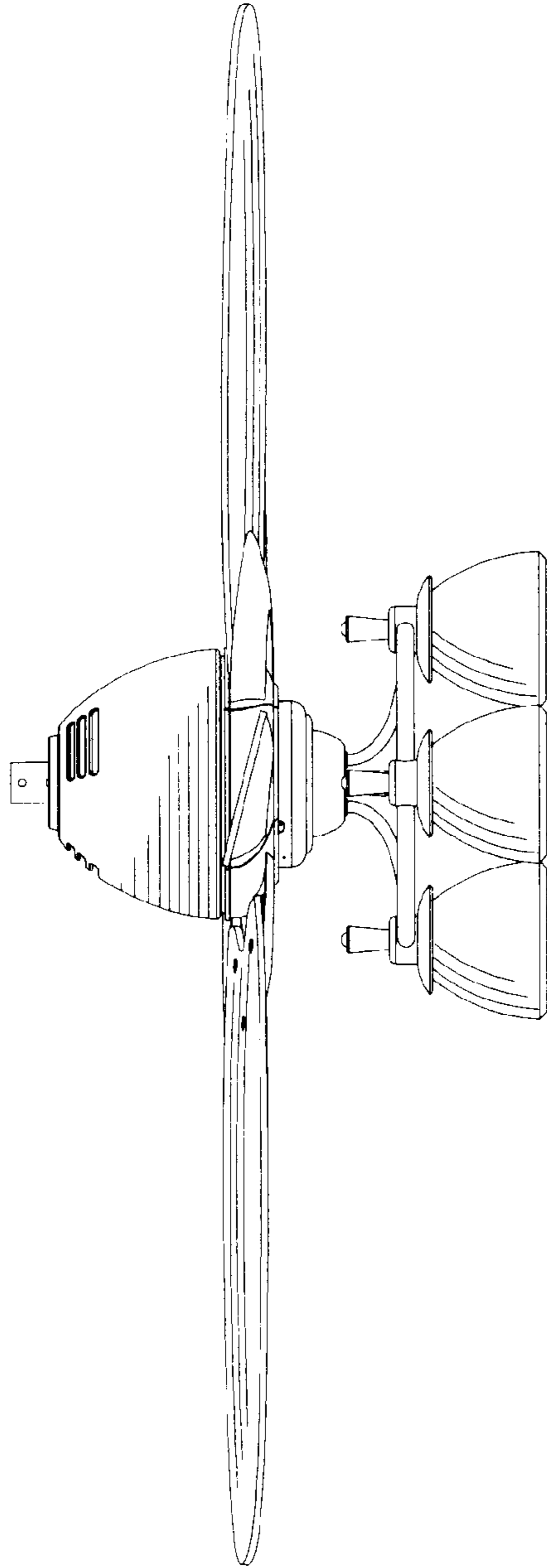


FIG.3

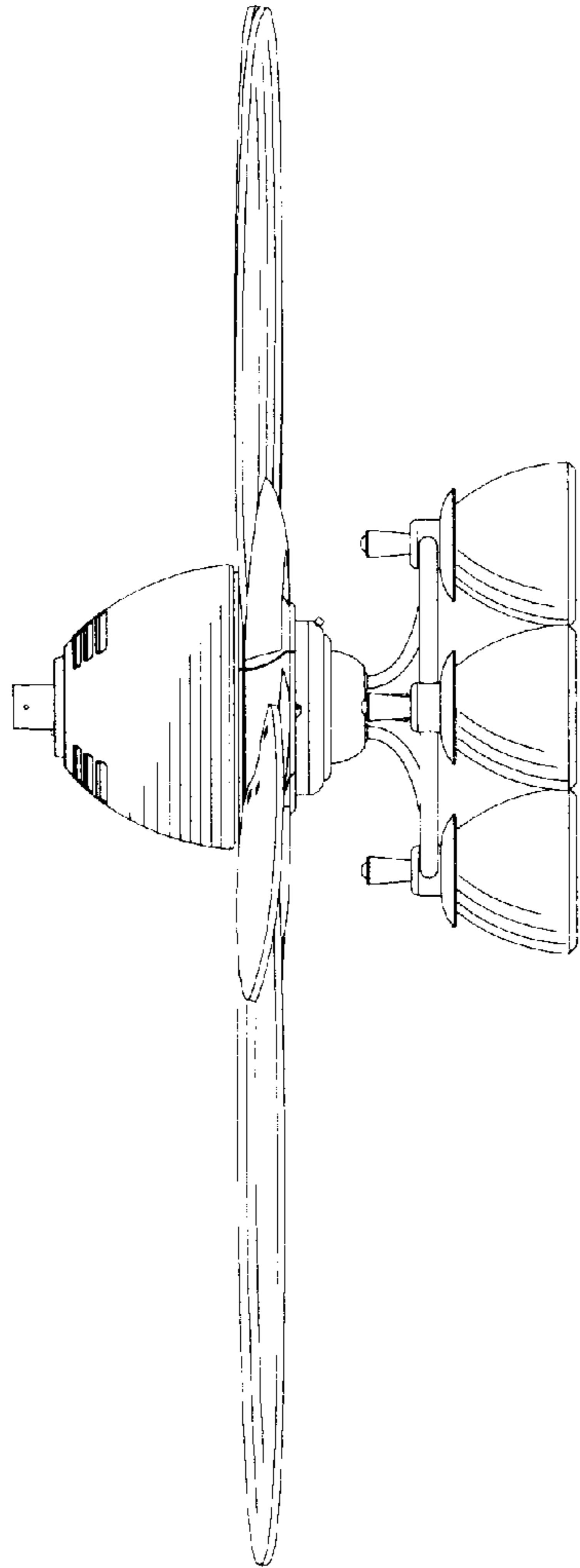


FIG.4

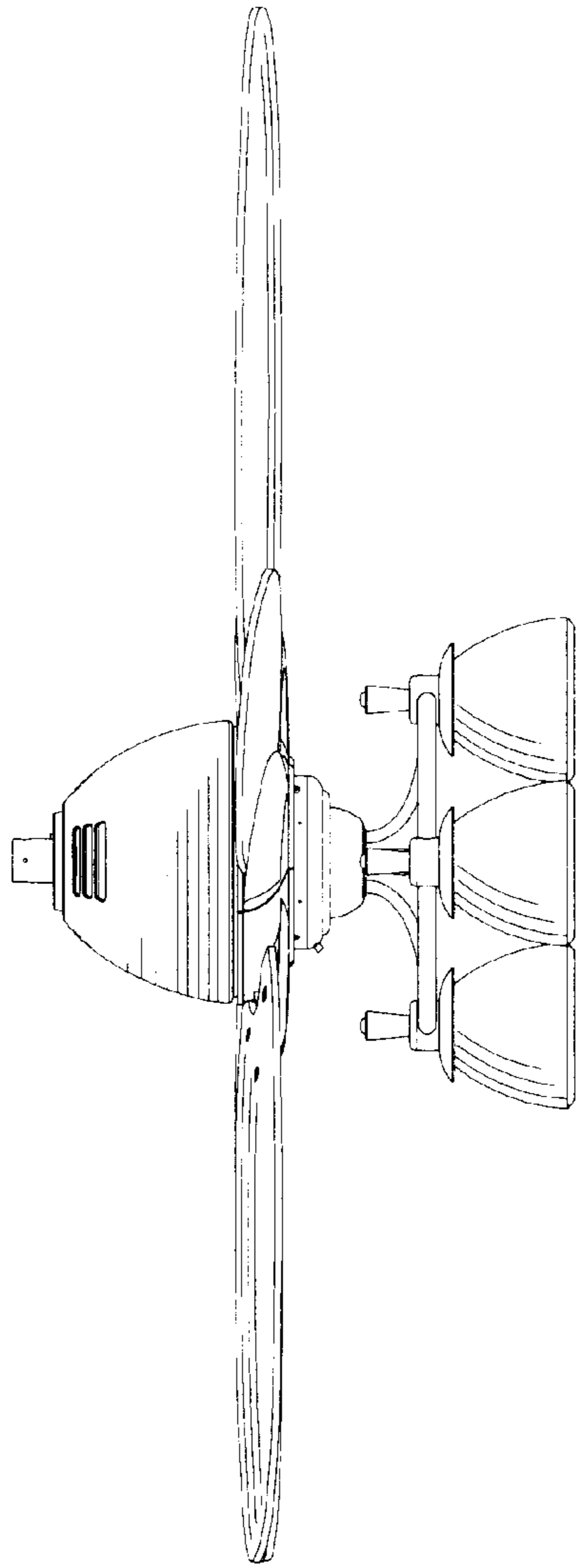


FIG. 5

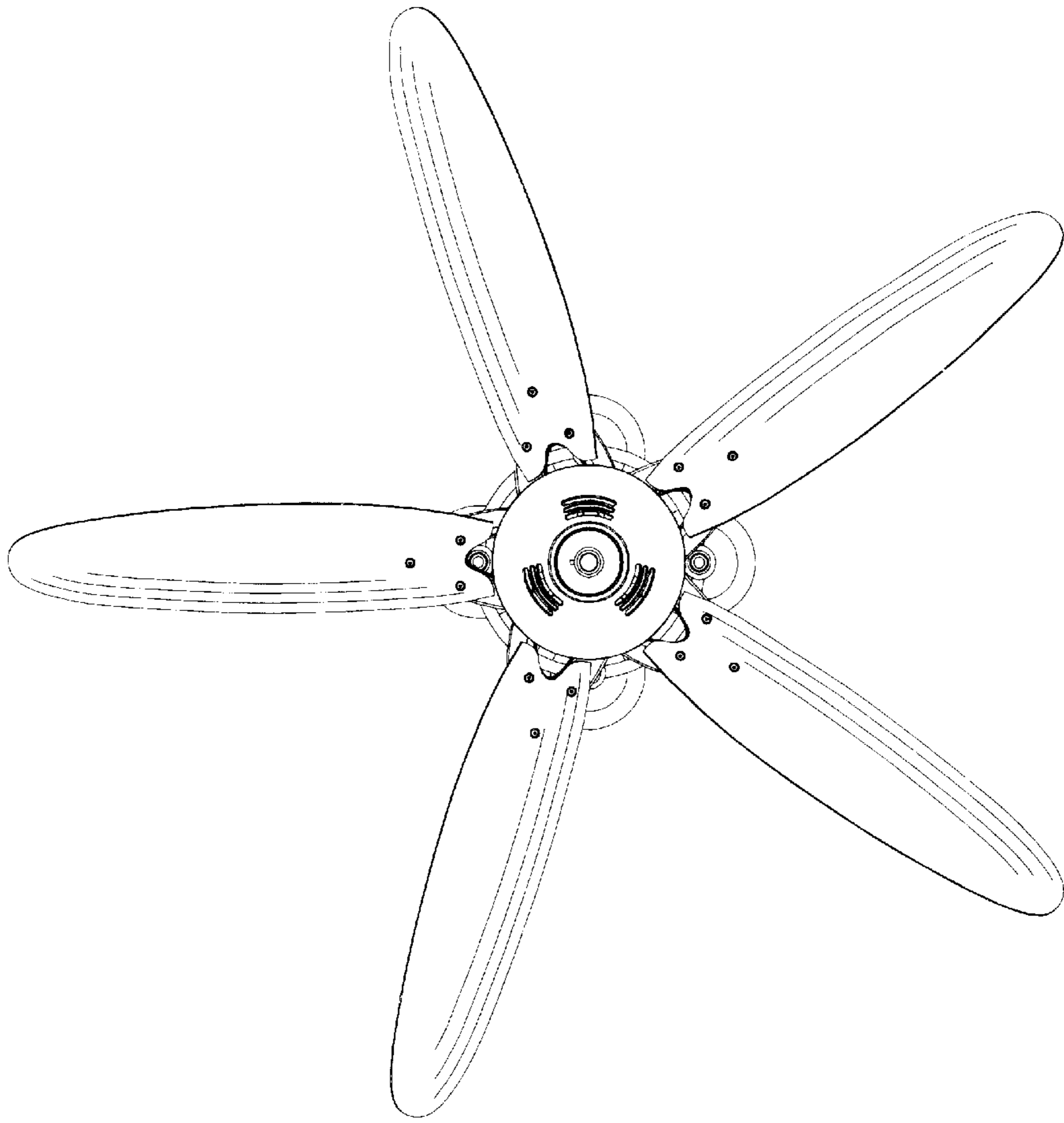


FIG.6

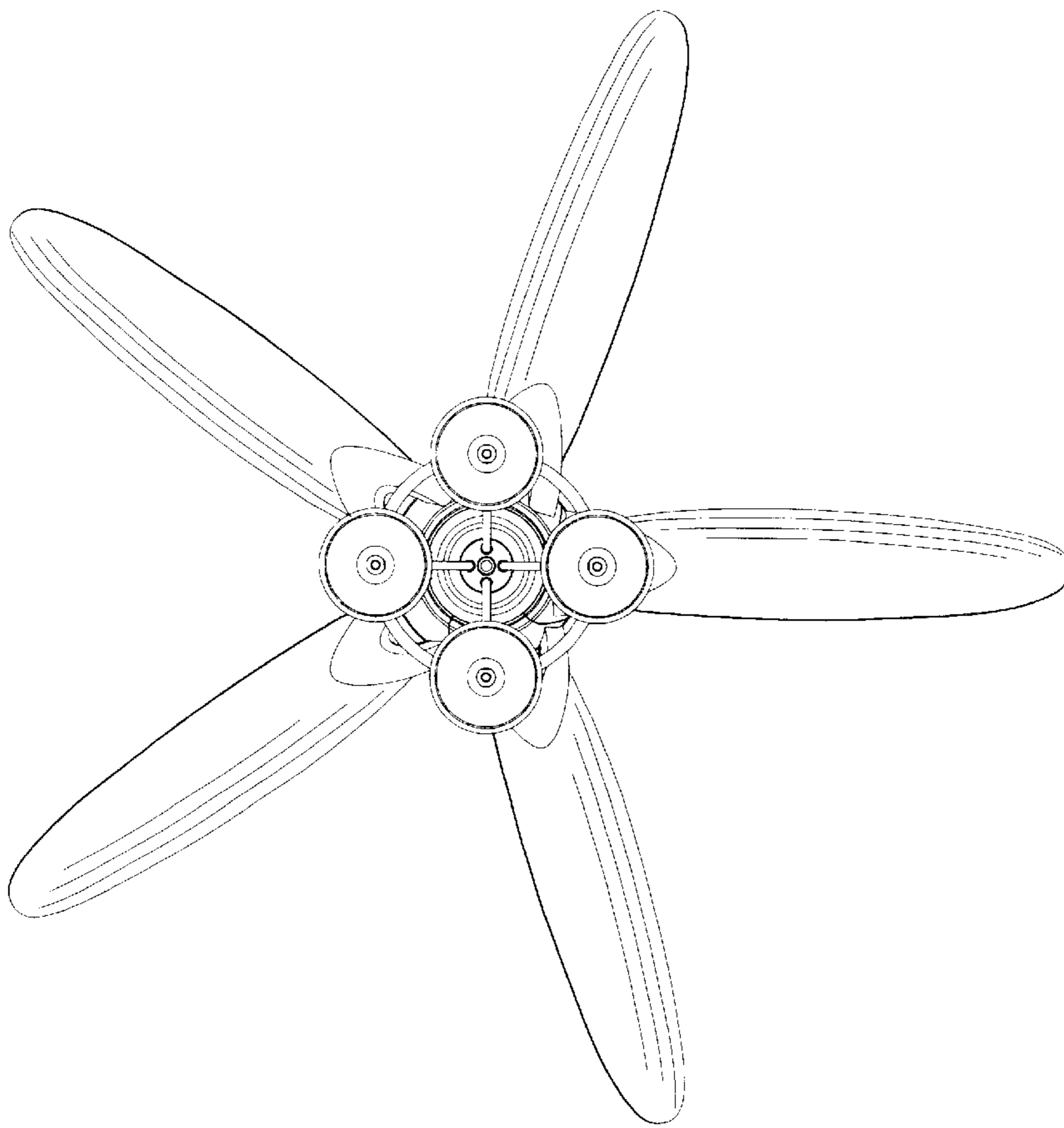


FIG. 7