



US00D486213S

(12) **United States Design Patent**
Novak

(10) **Patent No.:** **US D486,213 S**

(45) **Date of Patent:** **** Feb. 3, 2004**

(54) **PLUG-IN DISPENSER FOR AUTOMOBILE LIGHTER SOCKET**

5,373,581 A	12/1994	Smith	
D390,939 S	2/1998	Colandro	
D418,213 S	12/1999	Colandro	
D418,214 S	* 12/1999	Cloutier D23/366
D432,638 S	* 10/2000	Smith D23/367

(75) Inventor: **Thomas Novak**, Libertyville, IL (US)

(73) Assignee: **Aries Manufacturing, Inc.**,
Libertyville, IL (US)

(**) Term: **14 Years**

* cited by examiner

Primary Examiner—Lisa Lichtenstein
(74) *Attorney, Agent, or Firm*—Leydig, Voit & Mayer, Ltd.

(21) Appl. No.: **29/177,050**

(57) **CLAIM**

(22) Filed: **Mar. 3, 2003**

The ornamental design for a plug-in dispenser for automobile lighter socket, substantially as shown and described.

(51) **LOC (7) Cl.** **23-04**

(52) **U.S. Cl.** **D23/366**

(58) **Field of Search** D23/366-369;
261/DIG. 65; 239/34, 60, 50-55; 422/123

DESCRIPTION

(56) **References Cited**

U.S. PATENT DOCUMENTS

3,006,042 A	10/1961	Calandra
4,574,181 A	3/1986	Spector
4,731,521 A	3/1988	Spector et al.
4,849,606 A	7/1989	Martens et al.
D306,644 S	3/1990	Luthy

FIG. 1 is a perspective view of a plug-in dispenser for automobile lighter socket showing my new design;
FIG. 2 is a top plan view thereof;
FIG. 3 is a left side elevational view thereof, the right side being the same;
FIG. 4 is a bottom plan view thereof;
FIG. 5 is a rear end view thereof; and,
FIG. 6 is a front end view thereof.

1 Claim, 2 Drawing Sheets

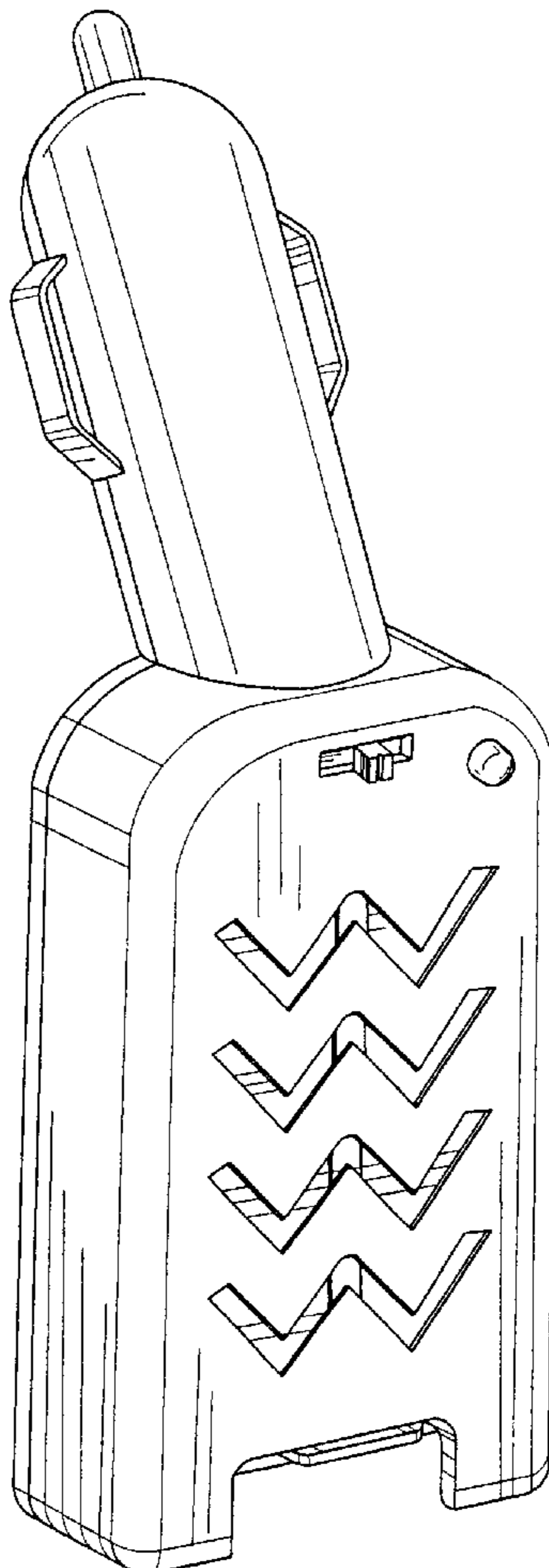


FIG. 1

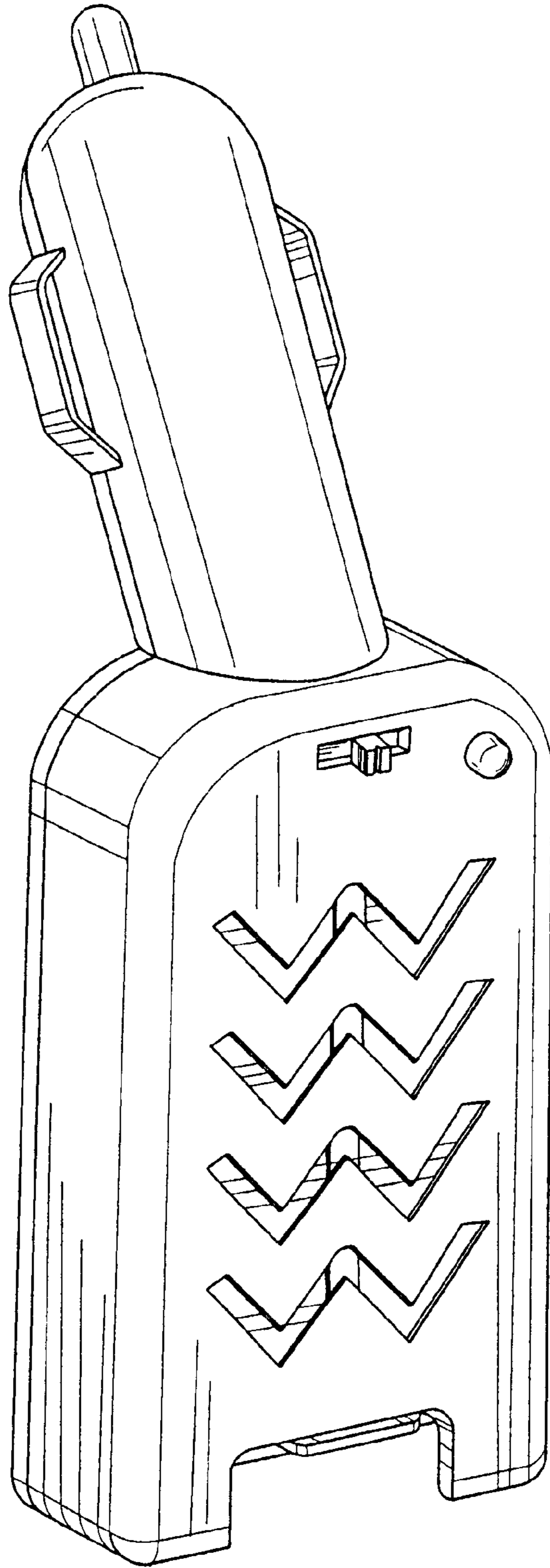


FIG. 5

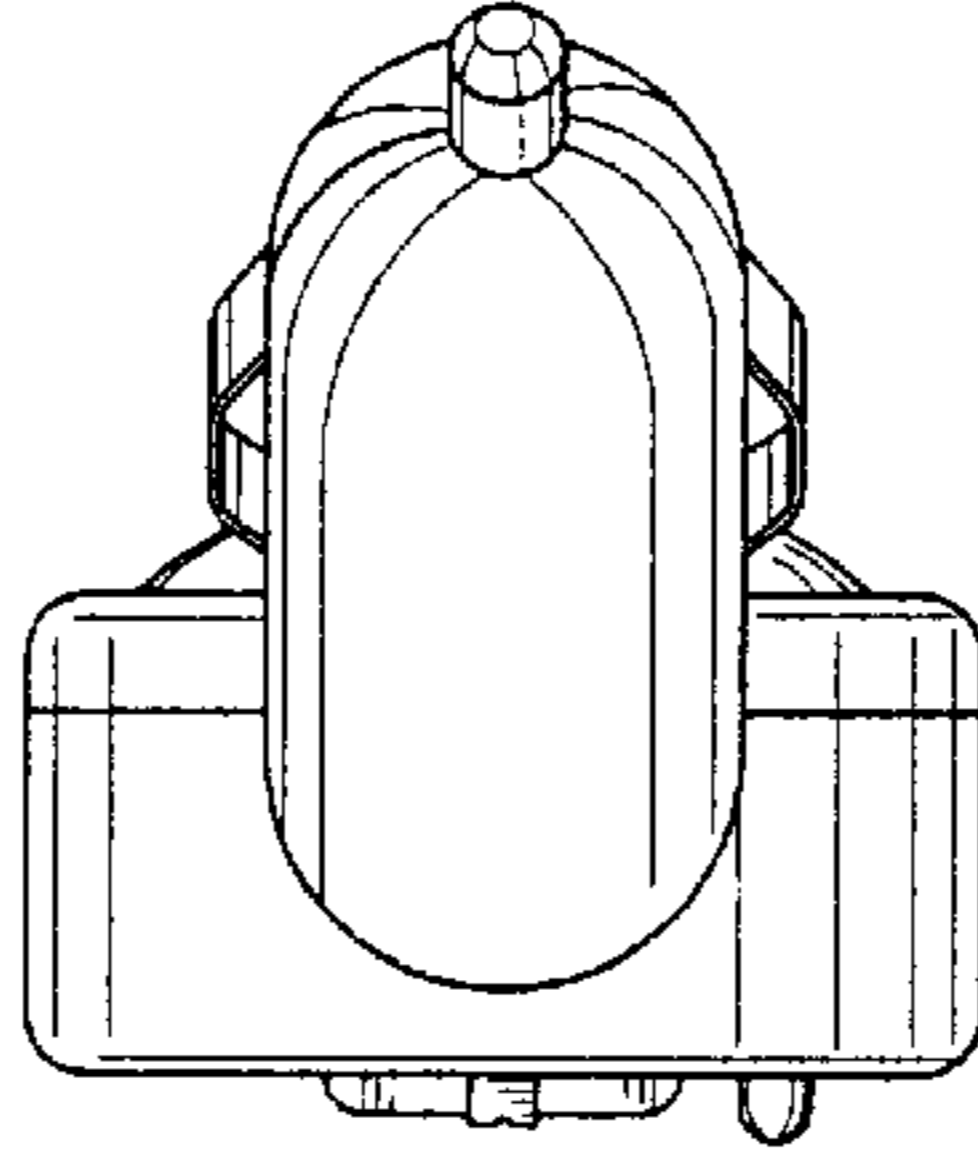


FIG. 3

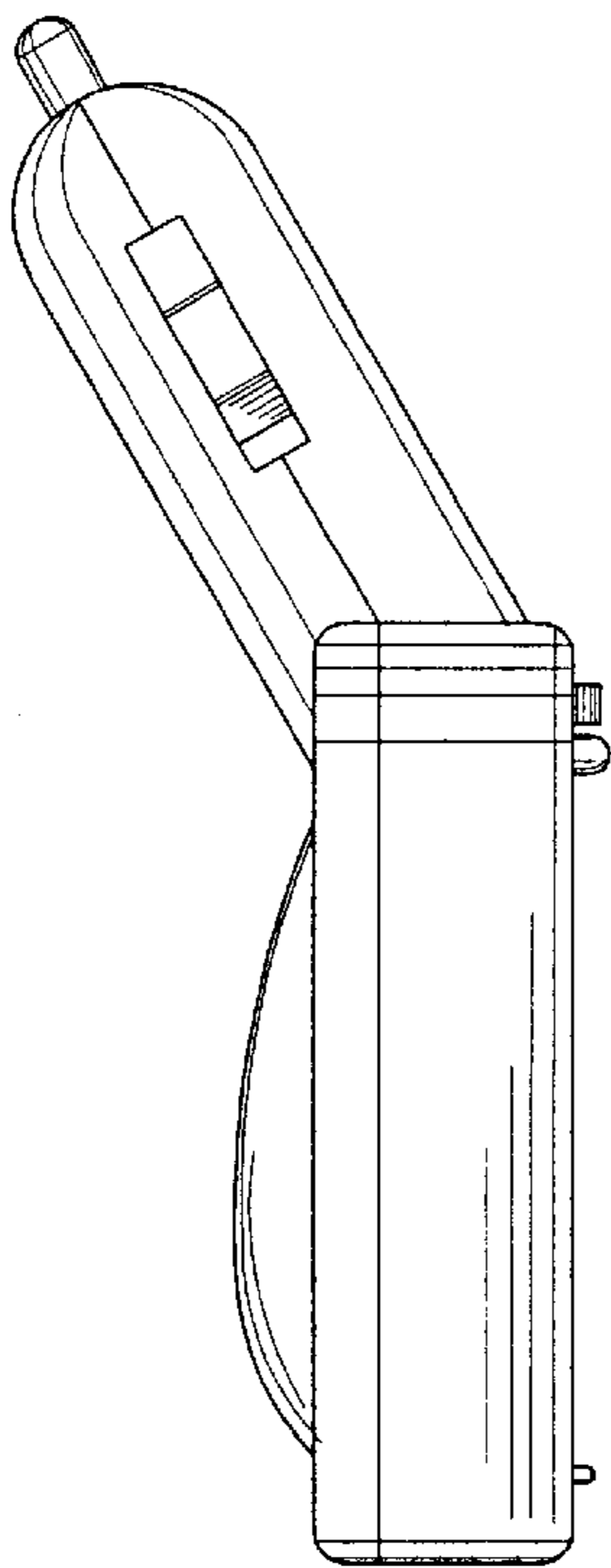


FIG. 2

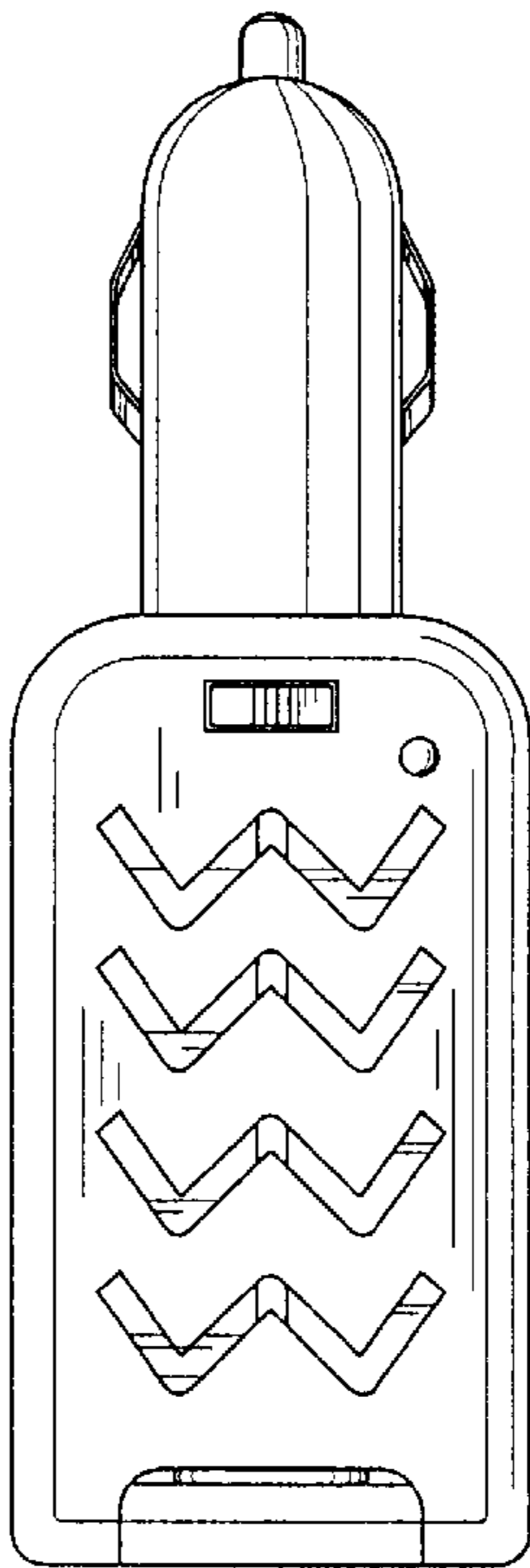


FIG. 4

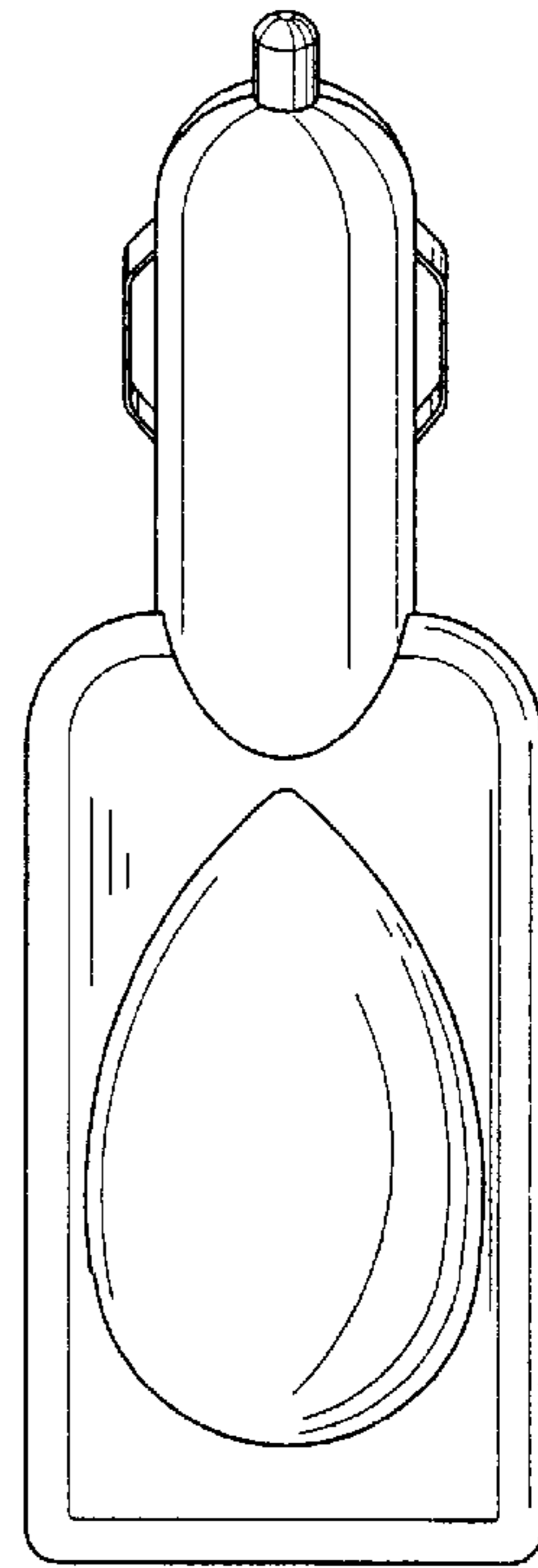


FIG. 6

