



US00D486211S

(12) **United States Design Patent**  
**Chan et al.**

(10) **Patent No.:** **US D486,211 S**

(45) **Date of Patent:** **\*\* Feb. 3, 2004**

(54) **PATIO HEATER**

(76) Inventors: **Neil Chan**, 10F. No. 111, Sec. 4,  
San-Ho Rd., San-Chung City, Taipei  
(TW); **Ader Chen**, 10F. No. 111, Sec.  
4, San-Ho Rd., San-Chung City, Taipei  
(TW)

(\*\*) Term: **14 Years**

(21) Appl. No.: **29/173,972**

(22) Filed: **Jan. 9, 2003**

**Related U.S. Application Data**

(63) Continuation-in-part of application No. 29/151,671, filed on  
Dec. 3, 2001.

(51) **LOC (7) Cl.** ..... **23-03**

(52) **U.S. Cl.** ..... **D23/332; D23/339**

(58) **Field of Search** ..... D23/328, 332,  
D23/342, 336, 339, 335; D26/51; 126/9 R,  
93, 92 R, 92 B, 92 AC; 362/92, 217, 253;  
431/331, 344

(56) **References Cited**

**U.S. PATENT DOCUMENTS**

D451,988 S	*	12/2001	Ashton et al. ....	D23/328
D452,301 S	*	12/2001	Schwartz et al. ....	D23/328
D470,232 S	*	2/2003	Yeh .....	D23/332
D474,532 S	*	5/2003	Chan et al. ....	D23/336

\* cited by examiner

*Primary Examiner*—Brian N. Vinson

(74) *Attorney, Agent, or Firm*—Chan Law Group LC

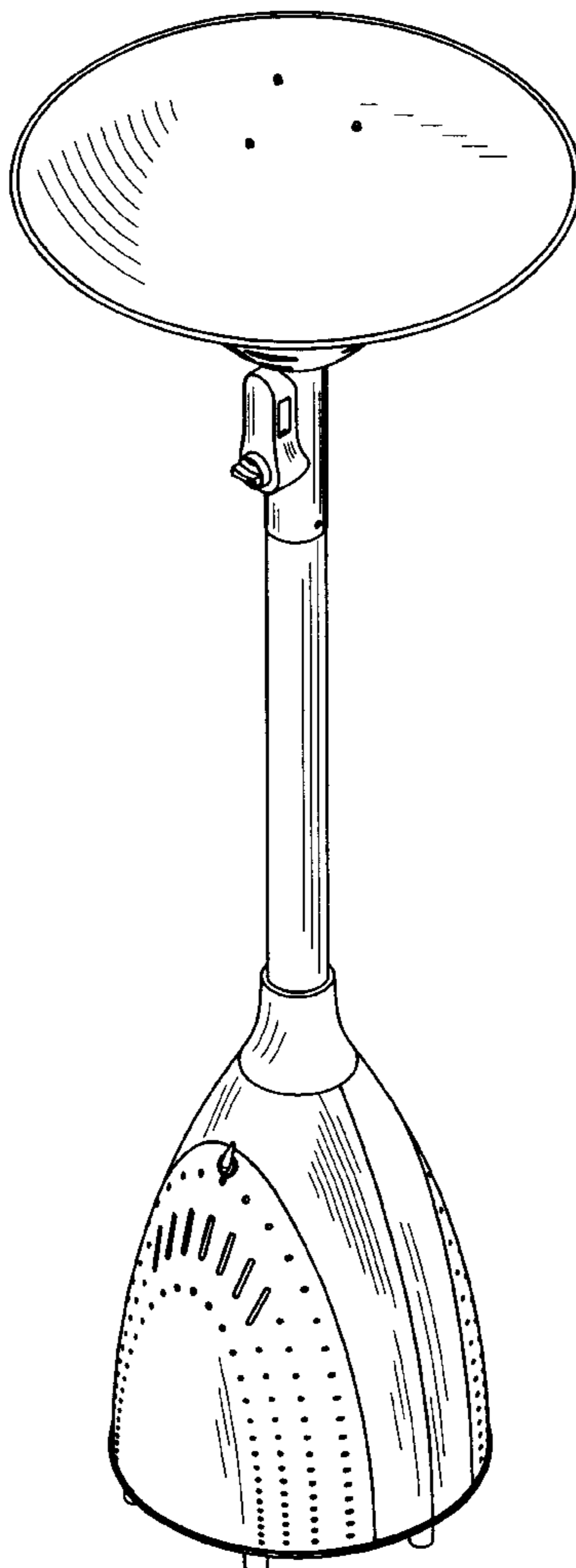
(57) **CLAIM**

The ornamental design for a patio heater, as shown and described.

**DESCRIPTION**

FIG. 1 is an orthogonal view of the patio heater;  
FIG. 2 is a left side elevation view there of;  
FIG. 3 is a front elevation view there of;  
FIG. 4 is a back elevation view there of;  
FIG. 5 is a right side elevation view there of; and,  
FIG. 6 is a top plan view there of.

**1 Claim, 6 Drawing Sheets**



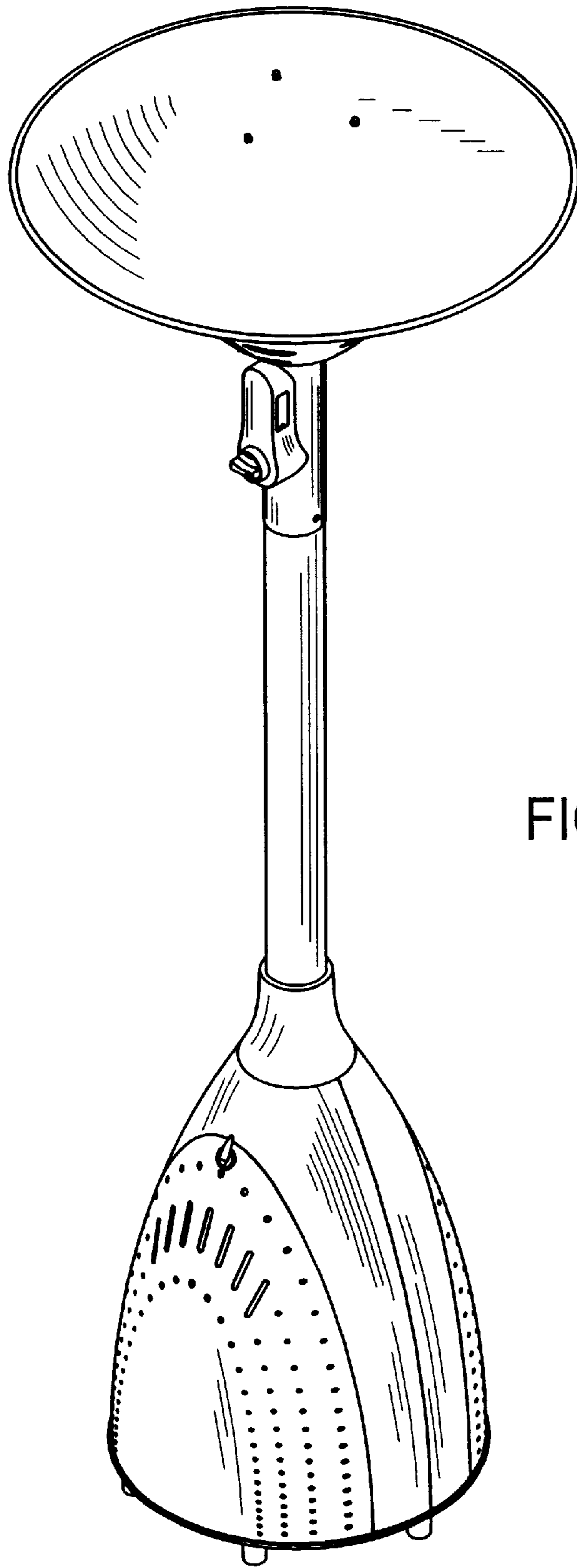


FIG. 1

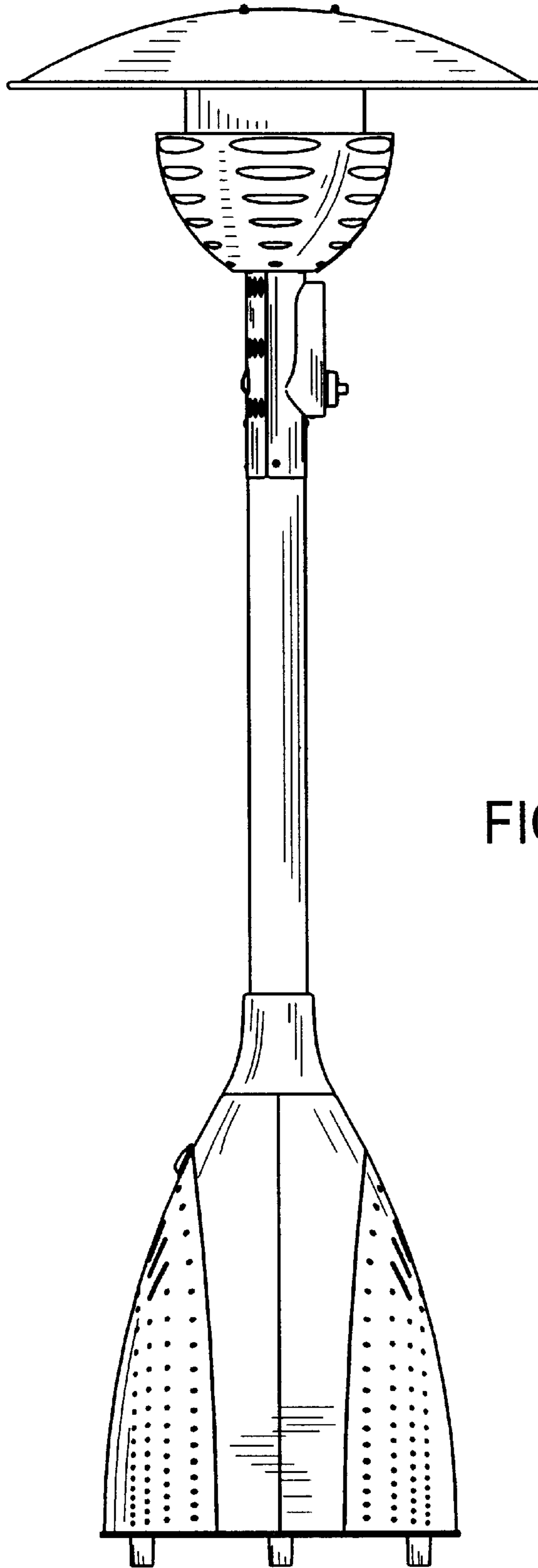


FIG. 2

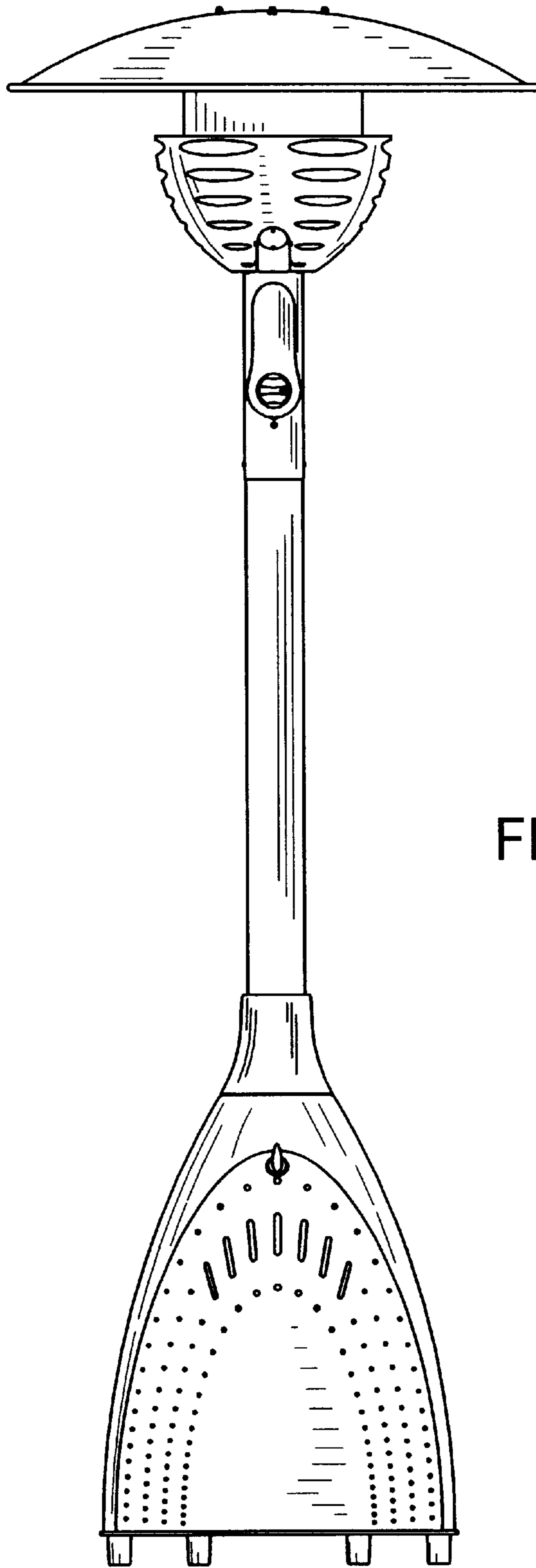


FIG. 3

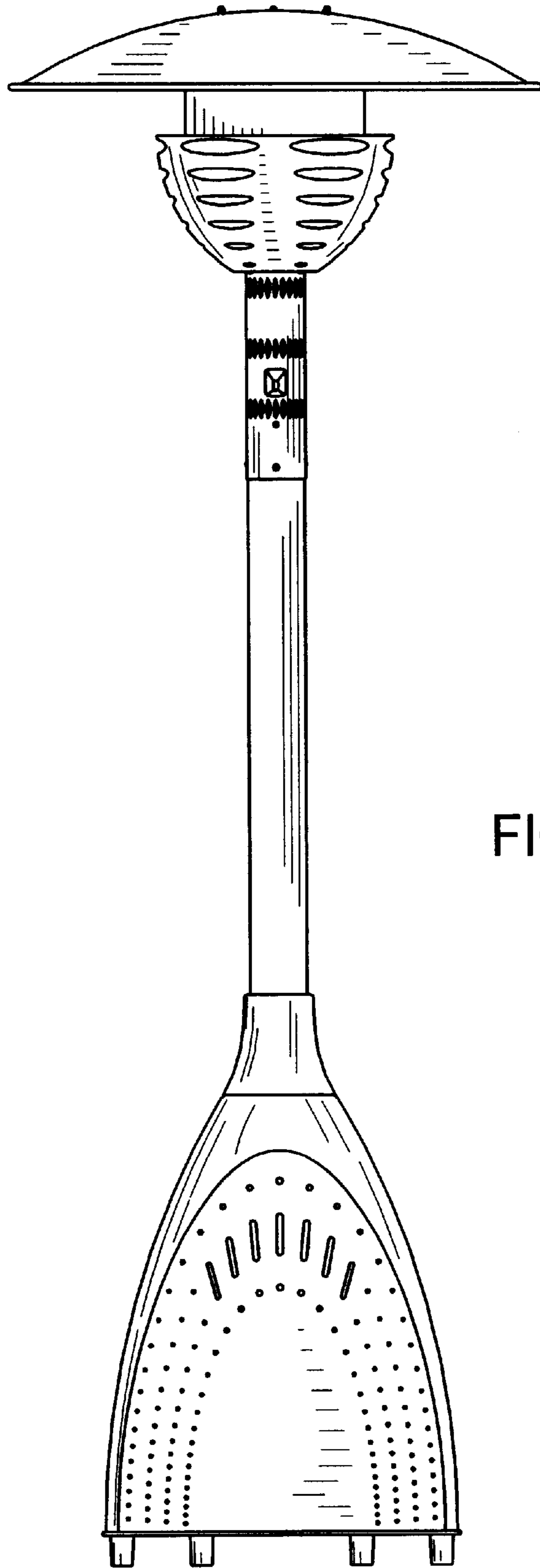


FIG. 4

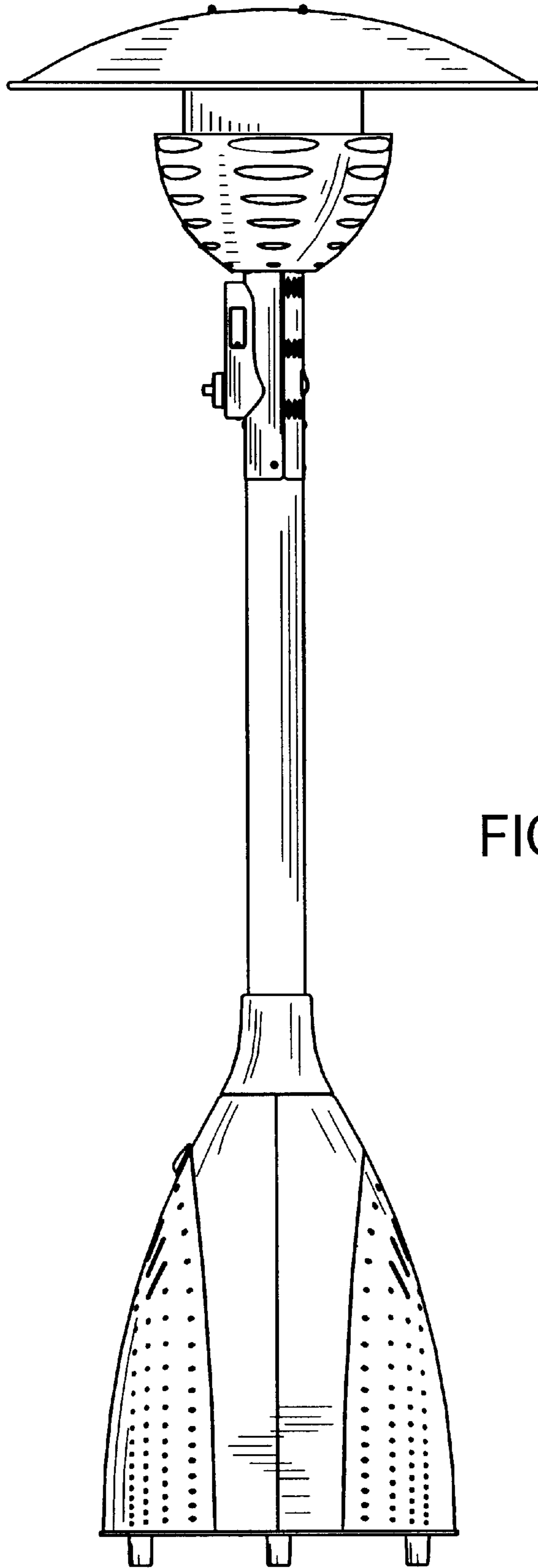


FIG. 5

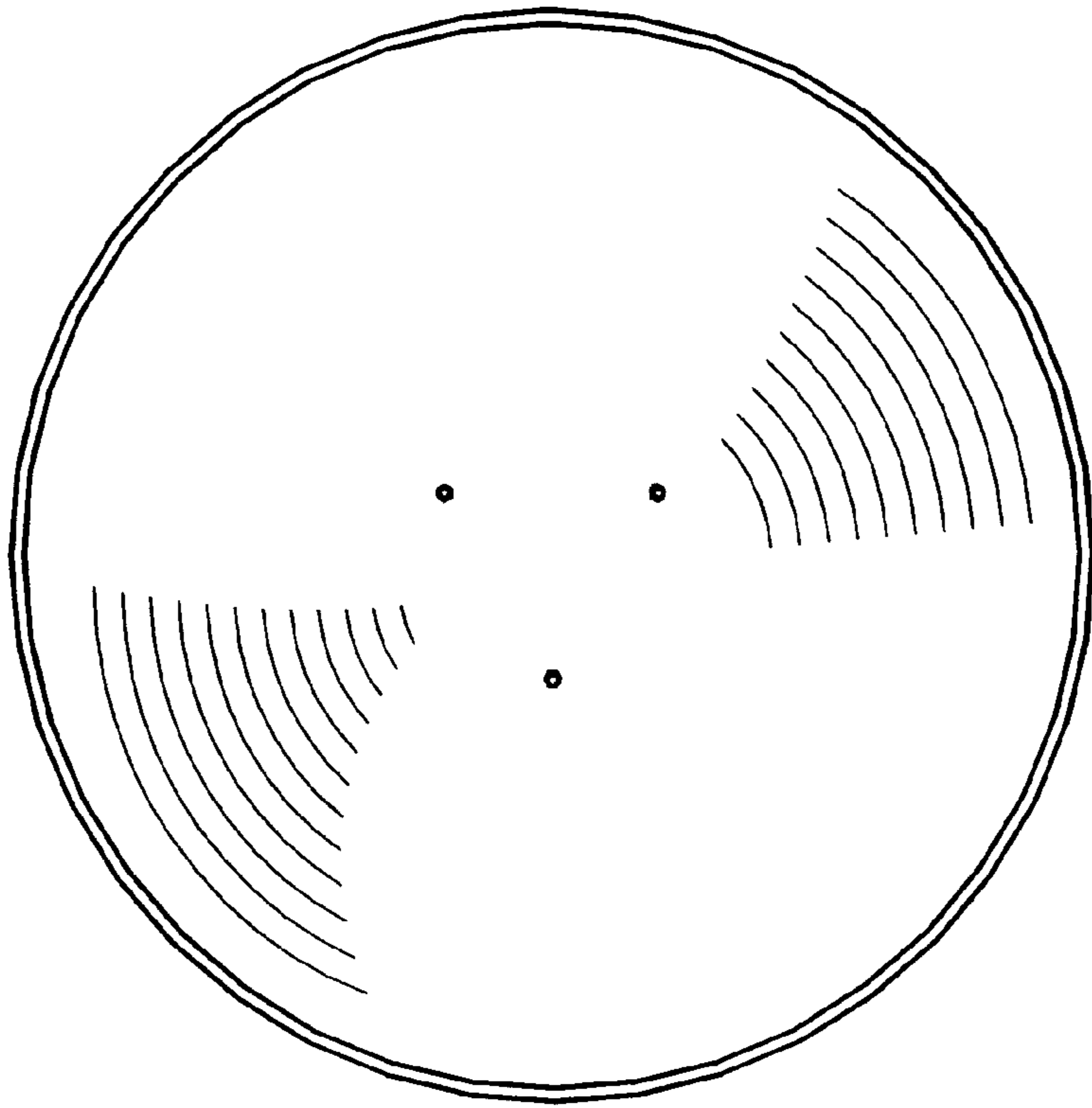


FIG. 6