



US00D486206S

(12) **United States Design Patent**
Otten

(10) **Patent No.:** **US D486,206 S**

(45) **Date of Patent:** **** Feb. 3, 2004**

(54) **HANDWASHER**

(76) Inventor: **Andries Otten**, 15 Birdwell Road,
Long Ashton, Bristol (GB), BS41 9BA

(**) Term: **14 Years**

(21) Appl. No.: **29/175,653**

(22) Filed: **Feb. 10, 2003**

(30) **Foreign Application Priority Data**

Aug. 10, 2002 (GB) 3006132

(51) **LOC (7) Cl.** **23-02**

(52) **U.S. Cl.** **D23/270**

(58) **Field of Search** D23/270-273,
D23/285, 286, 221, 303, 308; 4/662-666,
619, 643, 661, 239; 134/58 R, 103.3, 95.2,
199, 191

(56) **References Cited**

U.S. PATENT DOCUMENTS

3,318,119 A * 5/1967 Barks 4/239 X
3,699,984 A * 10/1972 Davis 134/95.2

3,757,806 A * 9/1973 Bhaskar et al. 134/191
3,918,987 A * 11/1975 Kopfer 134/95.2
4,219,367 A 8/1980 Cary, Jr. et al.
5,265,628 A * 11/1993 Sage et al. 134/58 R

* cited by examiner

Primary Examiner—Louis S. Zarfes

Assistant Examiner—Robert A Delehanty

(74) *Attorney, Agent, or Firm*—Nixon & Vanderhye P.C.

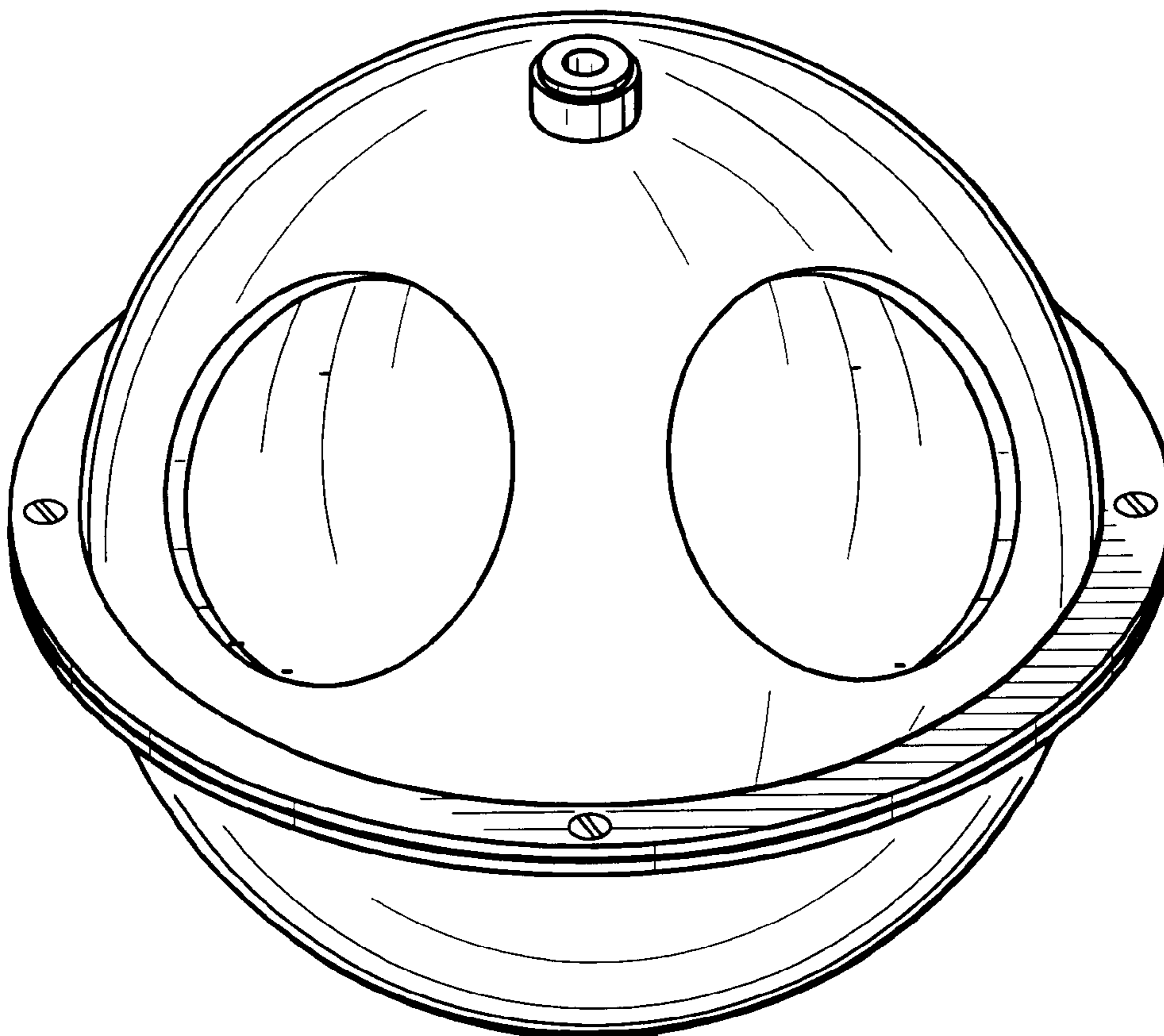
(57) **CLAIM**

The ornamental design for a “a handwasher,” as shown and described.

DESCRIPTION

FIG. 1 is a front perspective view from above;
FIG. 2 is a rear perspective view from above;
FIG. 3 is a front view thereof;
FIG. 4 is a underside plan thereof;
FIG. 5 is a top plan view thereof;
FIG. 6 is a bottom plan view thereof; and,
FIG. 7 is a side plan view thereof.

1 Claim, 4 Drawing Sheets



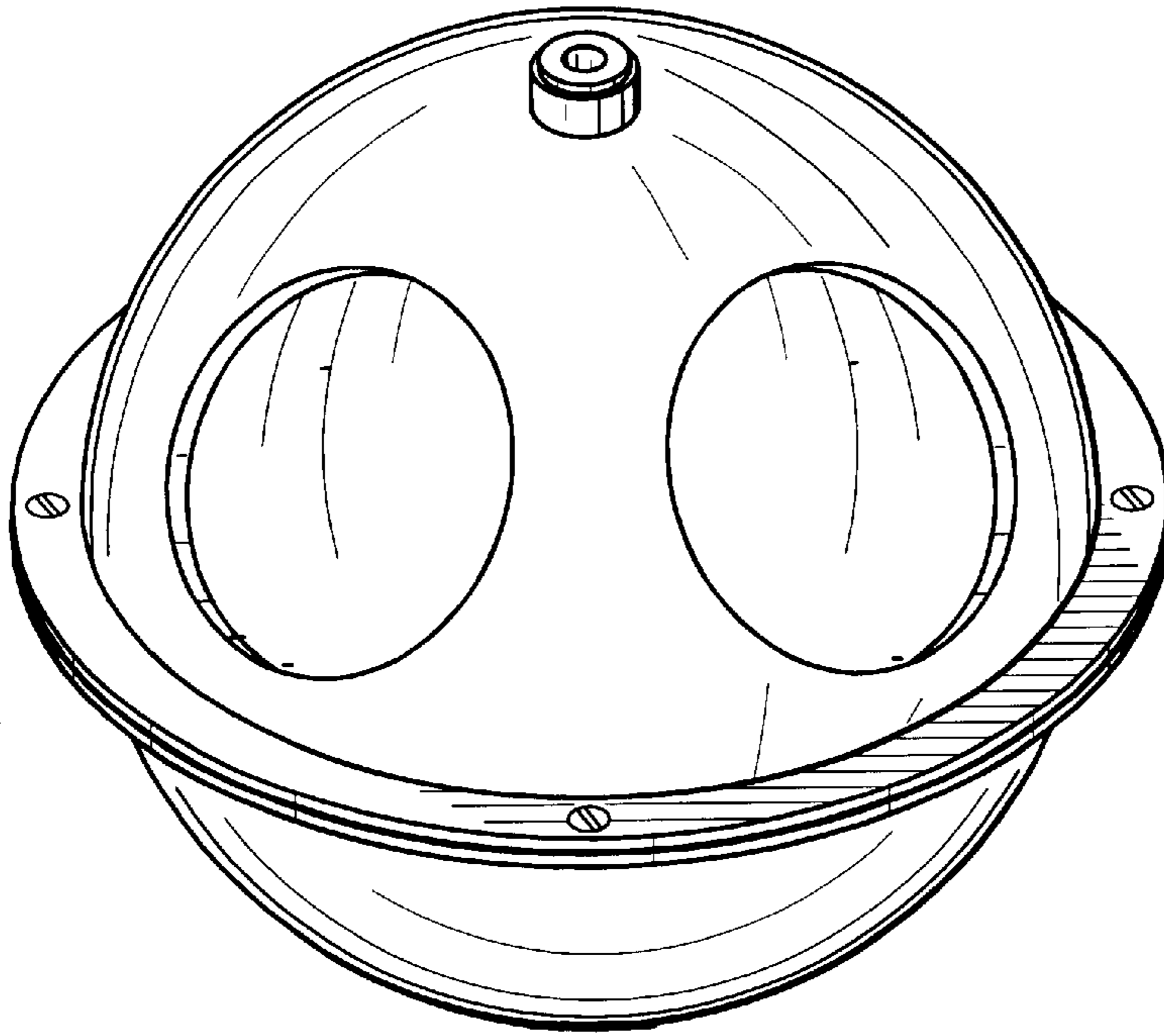


Fig.1

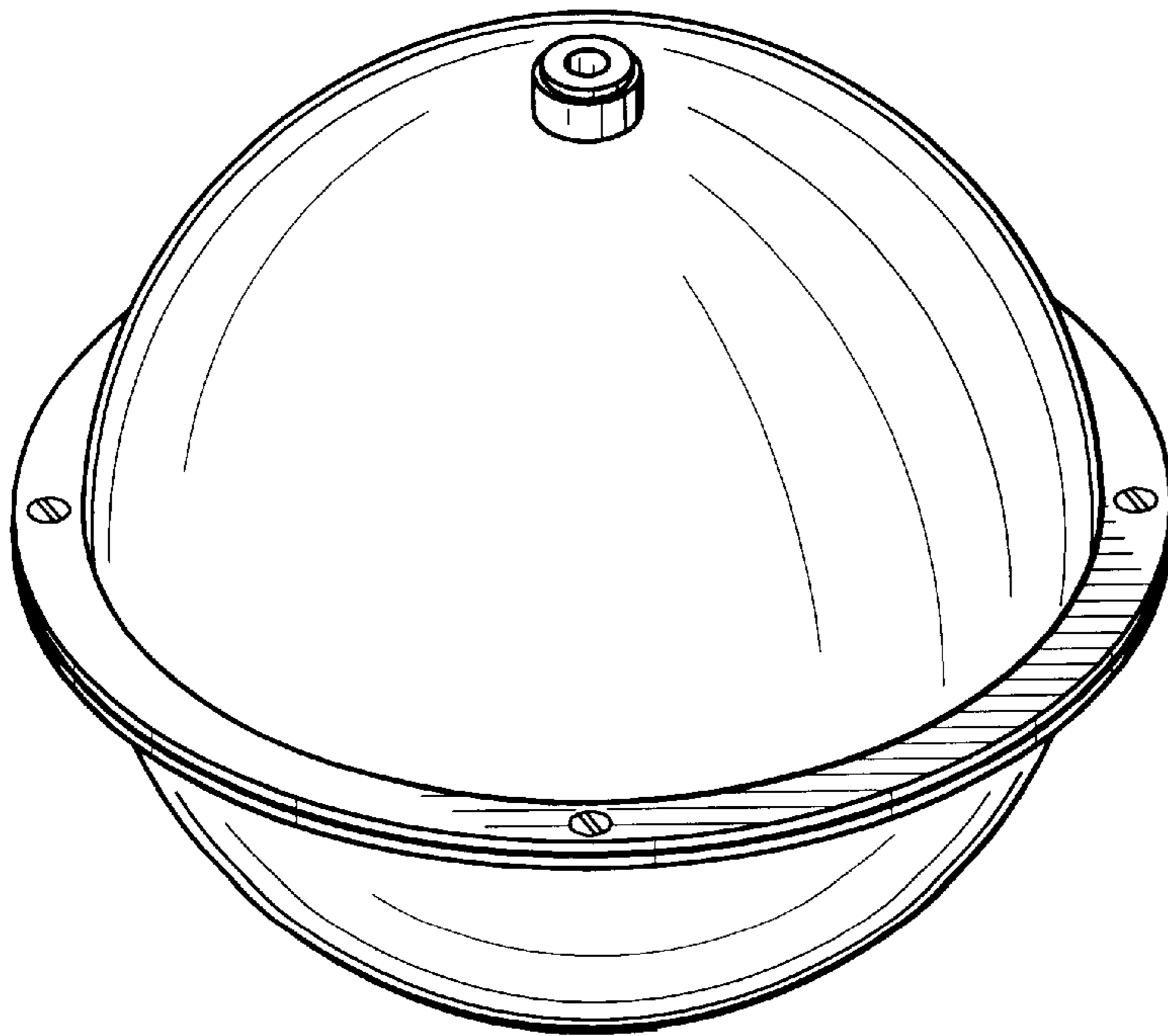


Fig.2

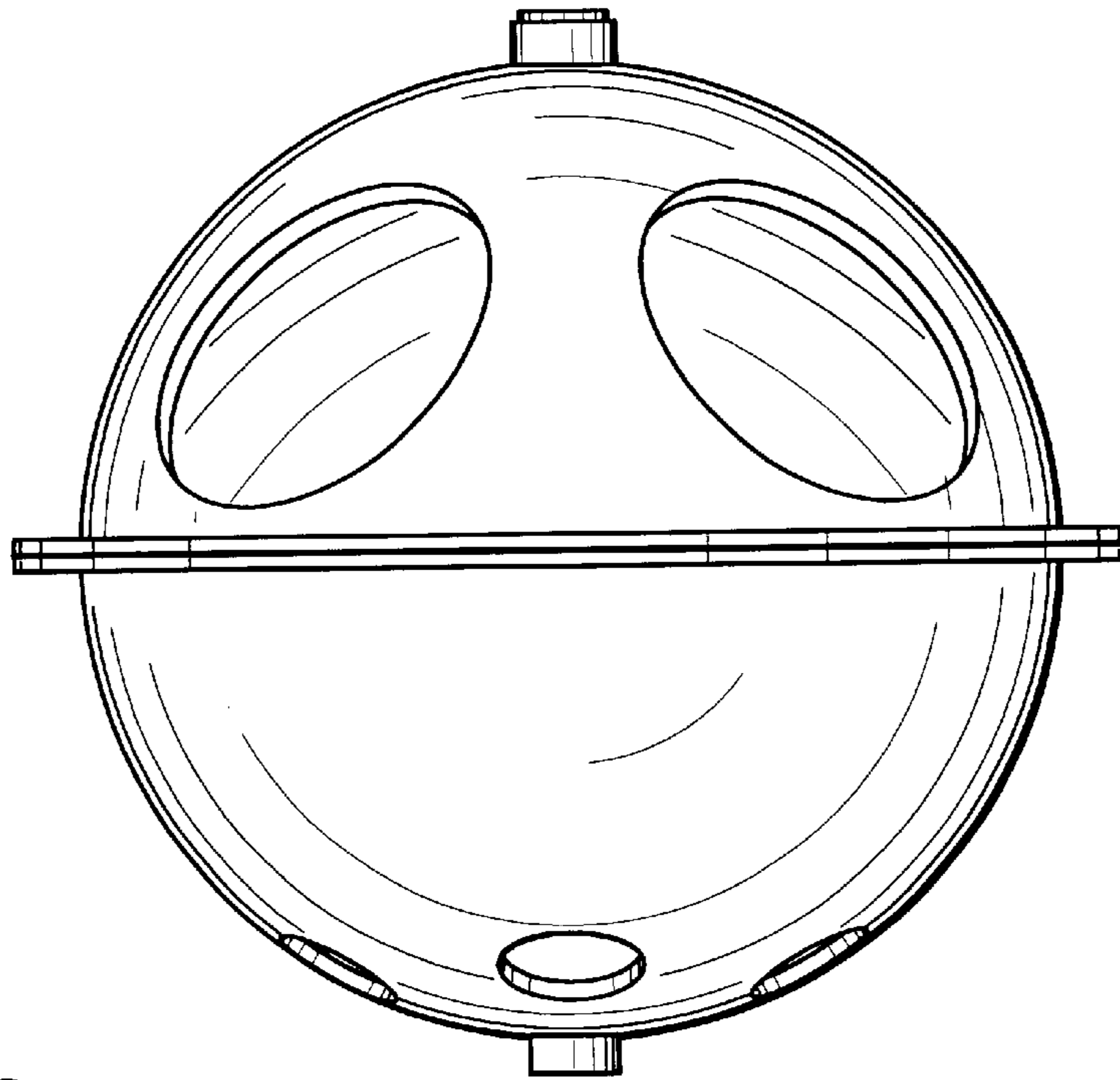


Fig.3

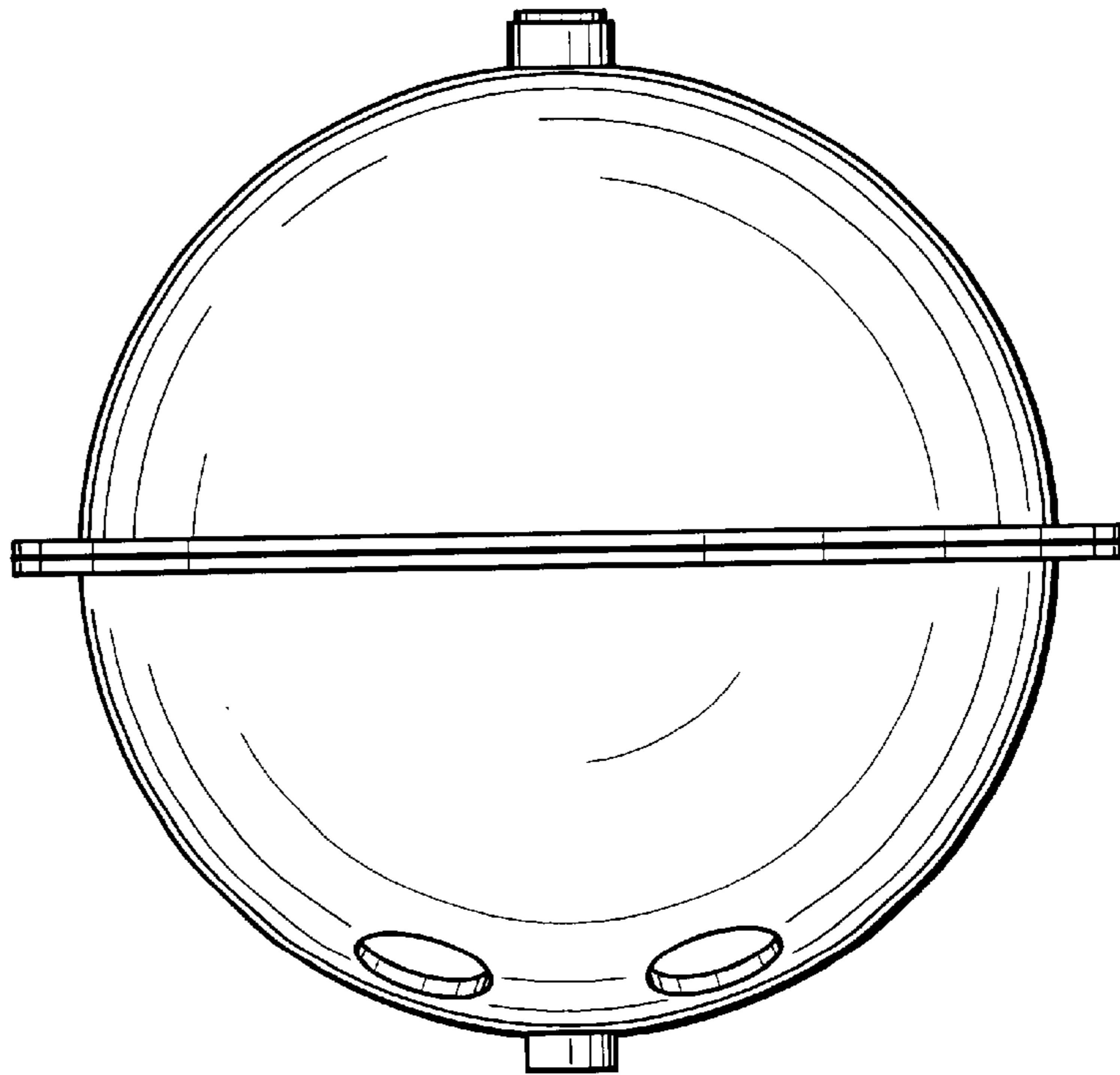


Fig.4

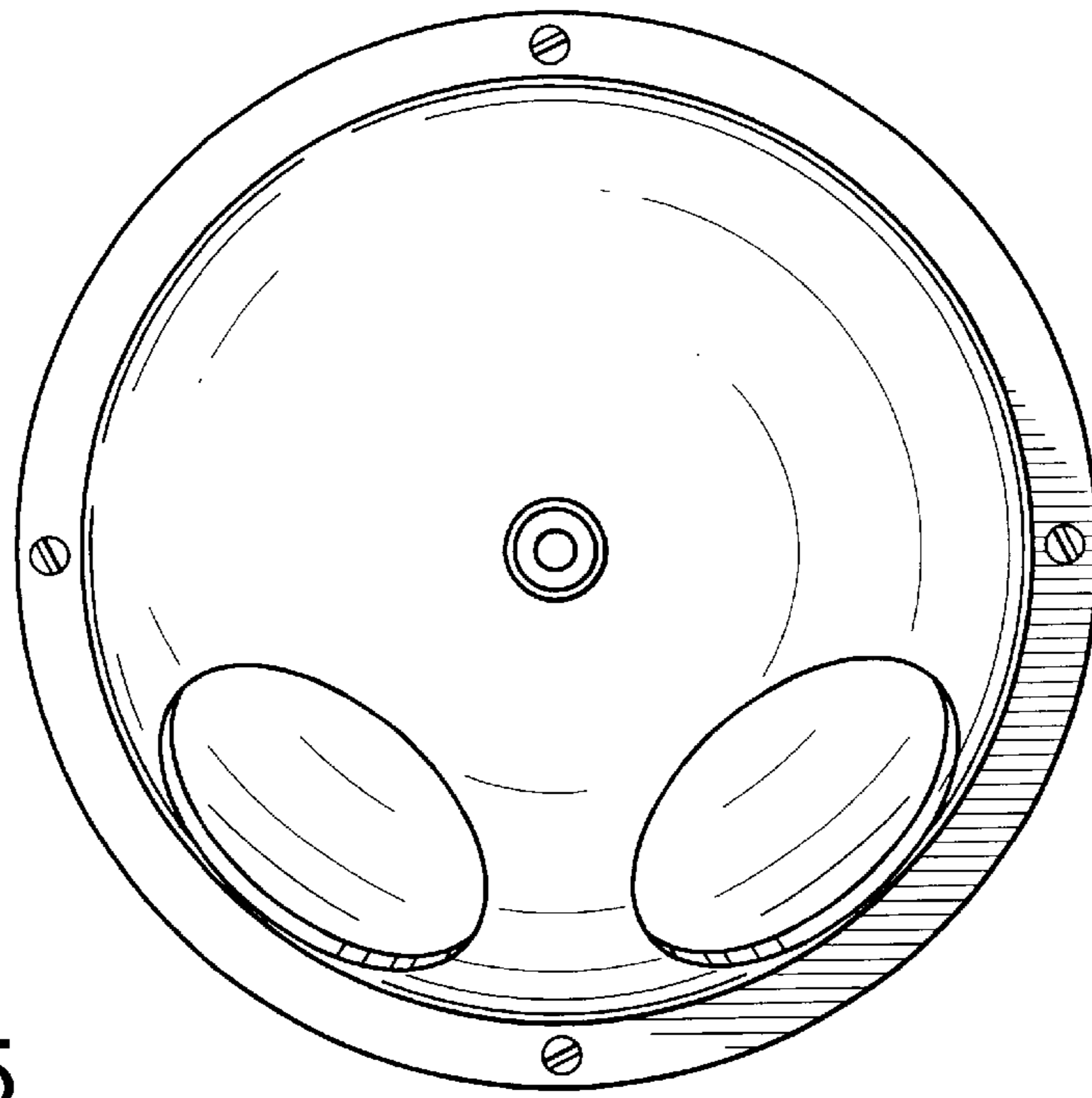


Fig.5

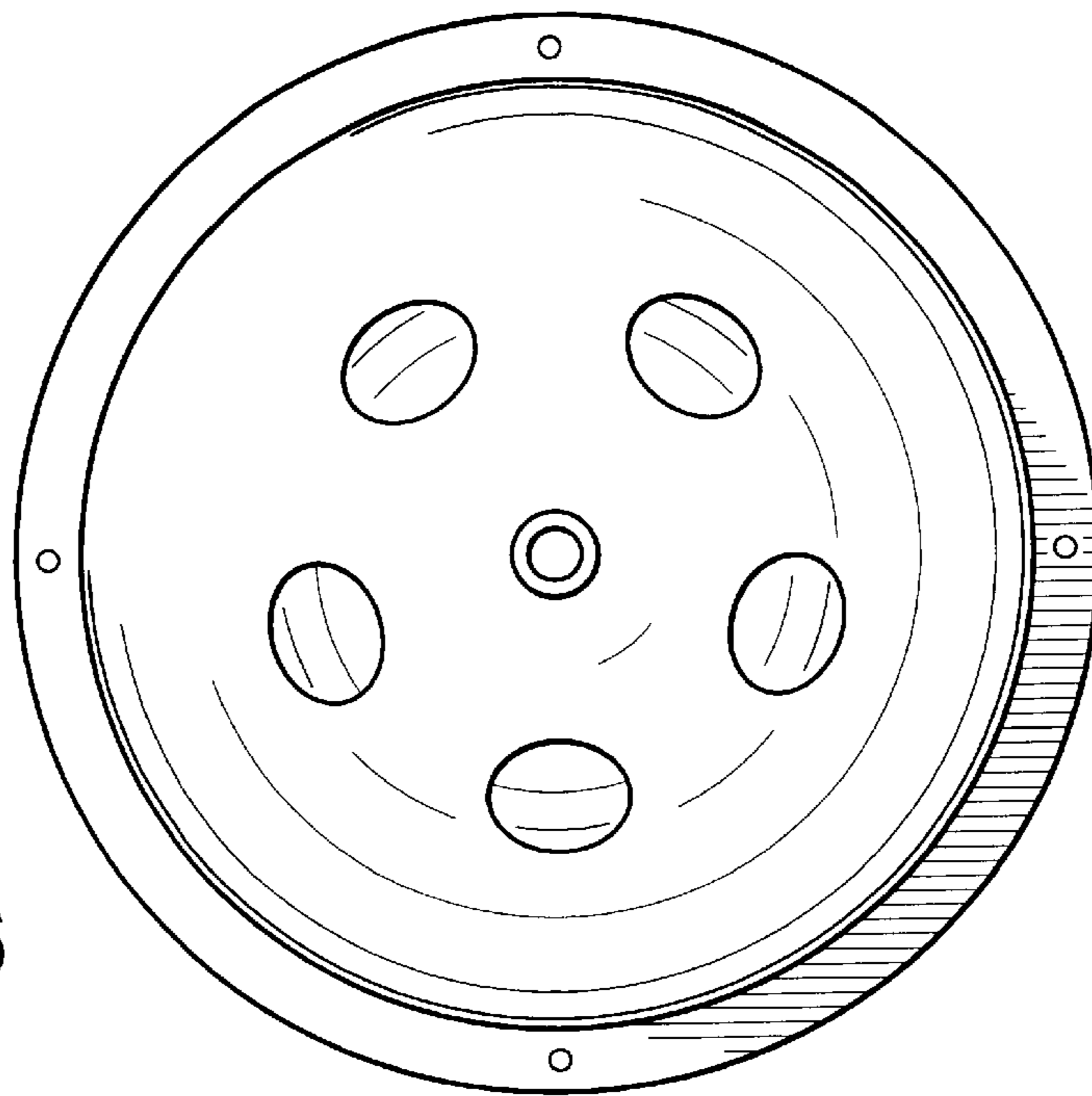


Fig.6

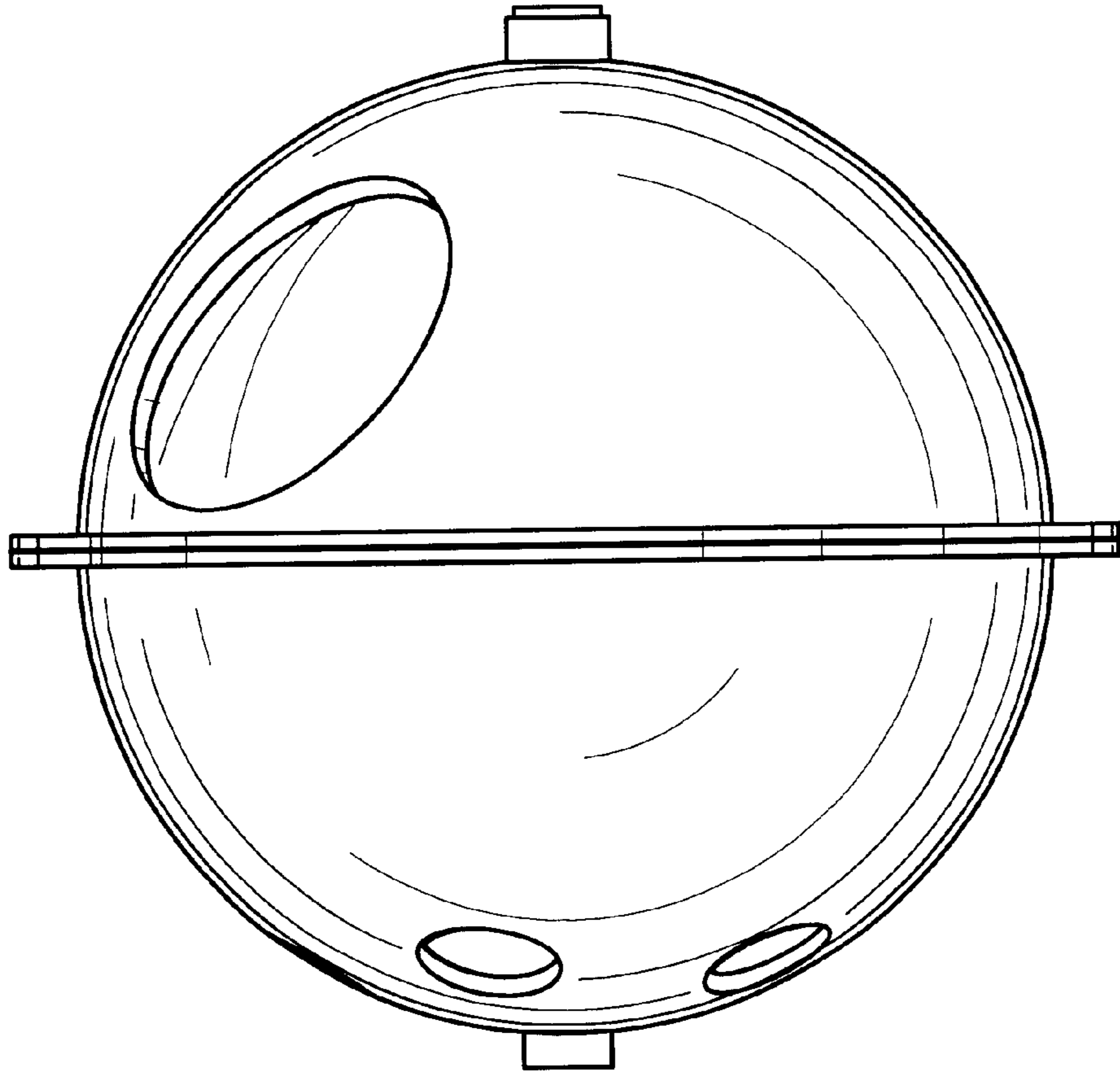


Fig.7