



US00D486204S

(12) **United States Design Patent**
Tripp et al.

(10) **Patent No.:** **US D486,204 S**

(45) **Date of Patent:** **** Feb. 3, 2004**

(54) **BALL VALVE BODY**

(75) Inventors: **Robert Tripp**, Riverside, IL (US);
Peter Berkman, Highland Park, IL (US)

(73) Assignee: **B&K Industries**, Elk Grove Village, IL (US)

(**) Term: **14 Years**

(21) Appl. No.: **29/163,336**

(22) Filed: **Jul. 1, 2002**

(51) **LOC (7) Cl.** **23-01**

(52) **U.S. Cl.** **D23/245**

(58) **Field of Search** D23/233-237,
D23/244-245, 249; 251/309-310, 315.01,
315.1

(56) **References Cited**

U.S. PATENT DOCUMENTS

D234,200 S	*	1/1975	Buechler	D23/245
D237,968 S	*	12/1975	Olson, Jr.	D23/249
D297,254 S		8/1988	Odate et al.		
D304,490 S		11/1989	Hengesbach		
D312,121 S		11/1990	Wozniak et al.		
D318,319 S		7/1991	Rokita		
D321,928 S		11/1991	Milo		
D328,945 S		8/1992	Aarthun et al.		
D359,102 S		6/1995	Bouc et al.		
D372,073 S		7/1996	Ozaki et al.		
D385,010 S		10/1997	Hennessy		
D396,524 S		7/1998	Patrick et al.		
D400,970 S		11/1998	Voo		
D411,870 S		7/1999	Humber		

D412,561 S	*	8/1999	Voo	D23/245
D429,518 S		8/2000	Ferrer Beltran		
D429,519 S		8/2000	Ferrer Beltran		
D429,520 S		8/2000	Ferrer Beltran		
D430,272 S	*	8/2000	Hung-Lin	D23/245
D431,068 S		9/2000	Beaver et al.		
D438,595 S	*	3/2001	Ferrer Beltran	D23/233

* cited by examiner

Primary Examiner—Nelson C. Holtje

(74) *Attorney, Agent, or Firm*—Harness, Dickey & Pierce, P.L.C.

(57) **CLAIM**

The ornamental design for a ball valve body, as shown and described.

DESCRIPTION

FIG. 1 is a perspective view of a first embodiment of a ball valve body in accordance with the present invention; FIG. 2 is a front elevational view of FIG. 1; FIG. 3 is a right side elevational view of FIG. 1, the left side elevational view of FIG. 1 is a mirror image thereof; FIG. 4 is a rear elevational view of FIG. 1; FIG. 5 is a top plan view of FIG. 1; FIG. 6 is a bottom plan view of FIG. 1; FIG. 7 is a perspective view of a second embodiment of a ball valve body in accordance with the present invention; FIG. 8 is a front elevational view of FIG. 7; FIG. 9 is a right side elevational view of FIG. 7, the left side elevational view of FIG. 7 is a mirror image thereof; FIG. 10 is a rear elevational view of FIG. 7; FIG. 11 is a top plan view of FIG. 7; and, FIG. 12 is a bottom plan view of FIG. 7.

1 Claim, 4 Drawing Sheets

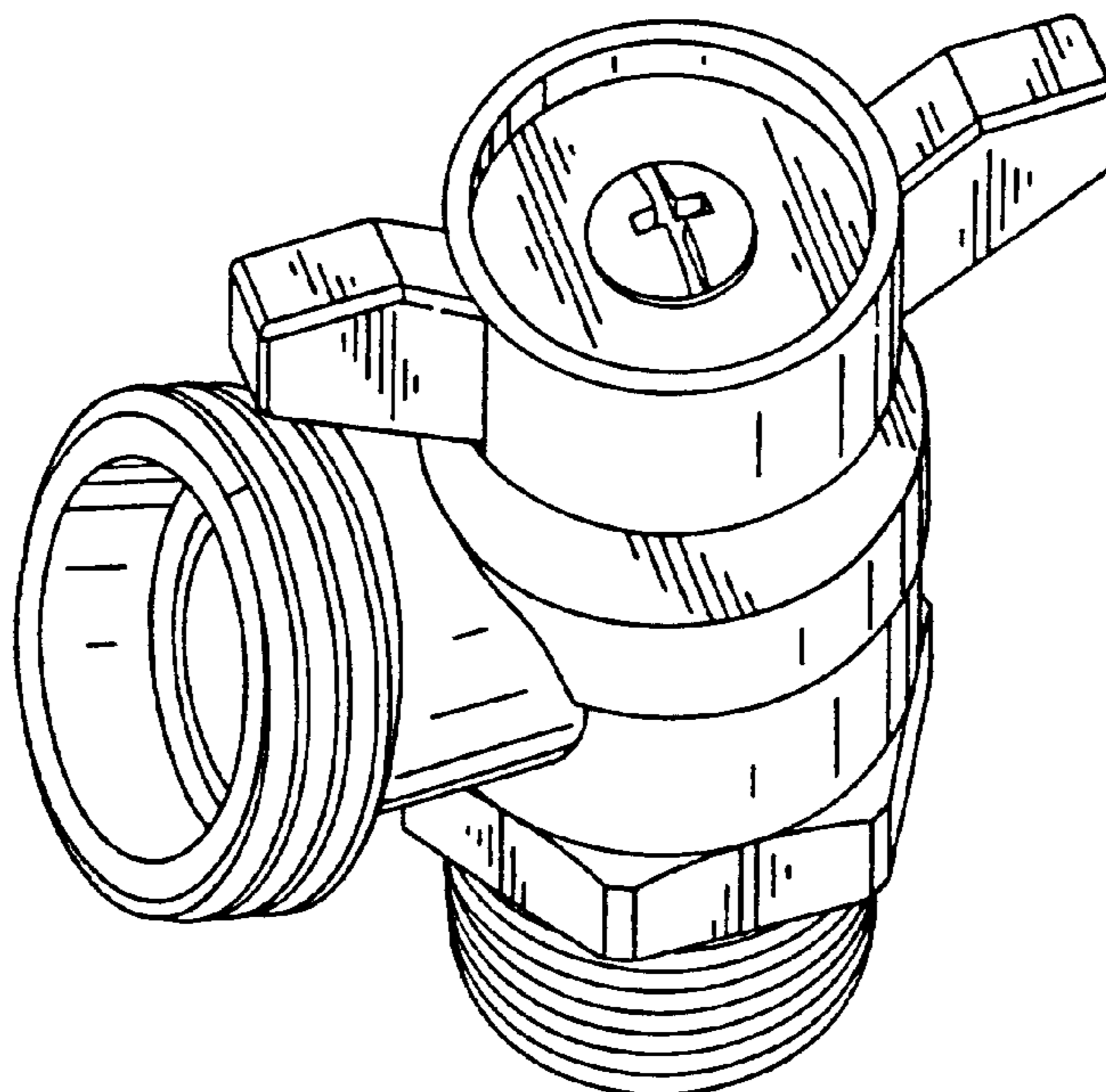


Figure 1

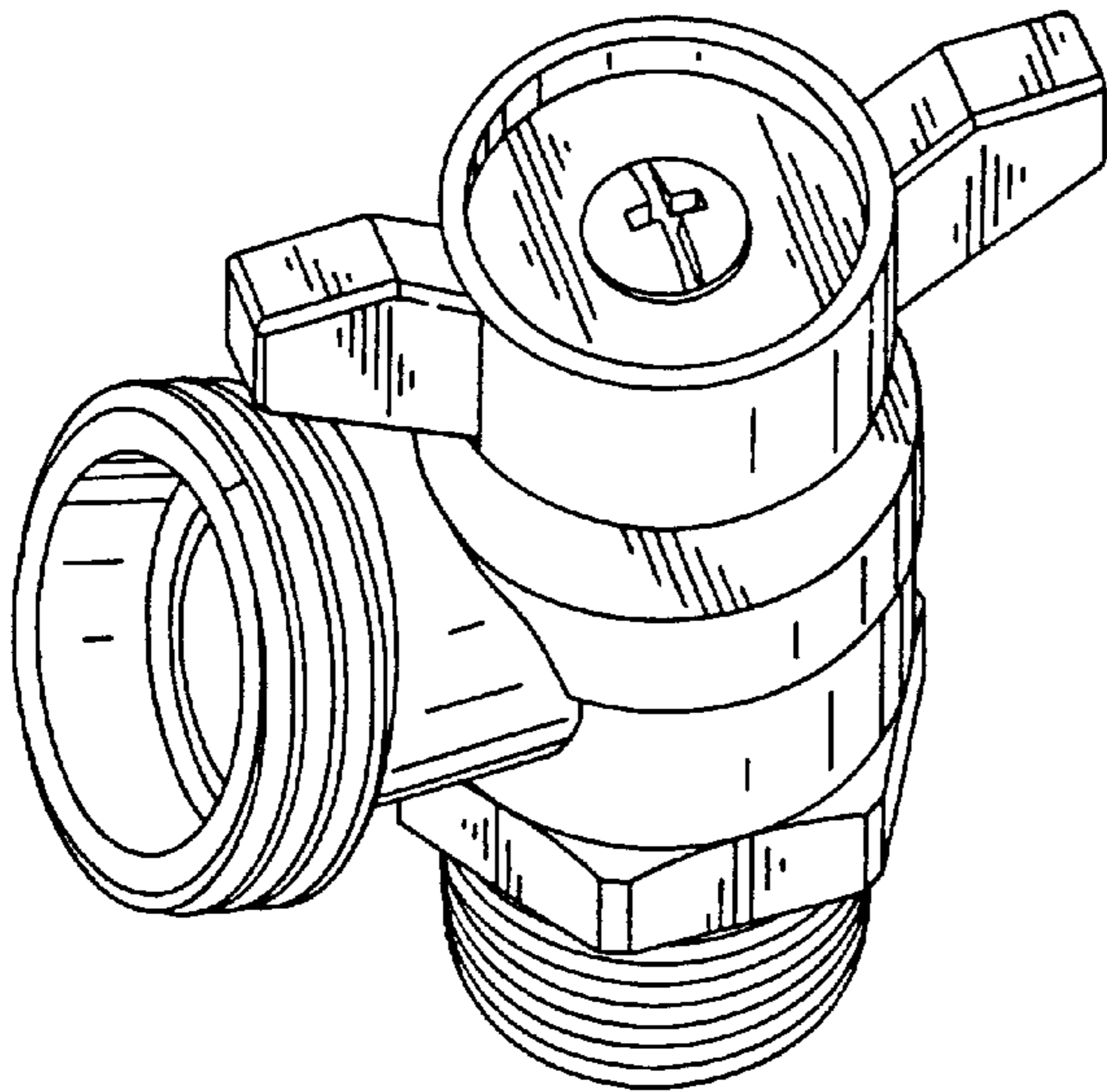


Figure 2

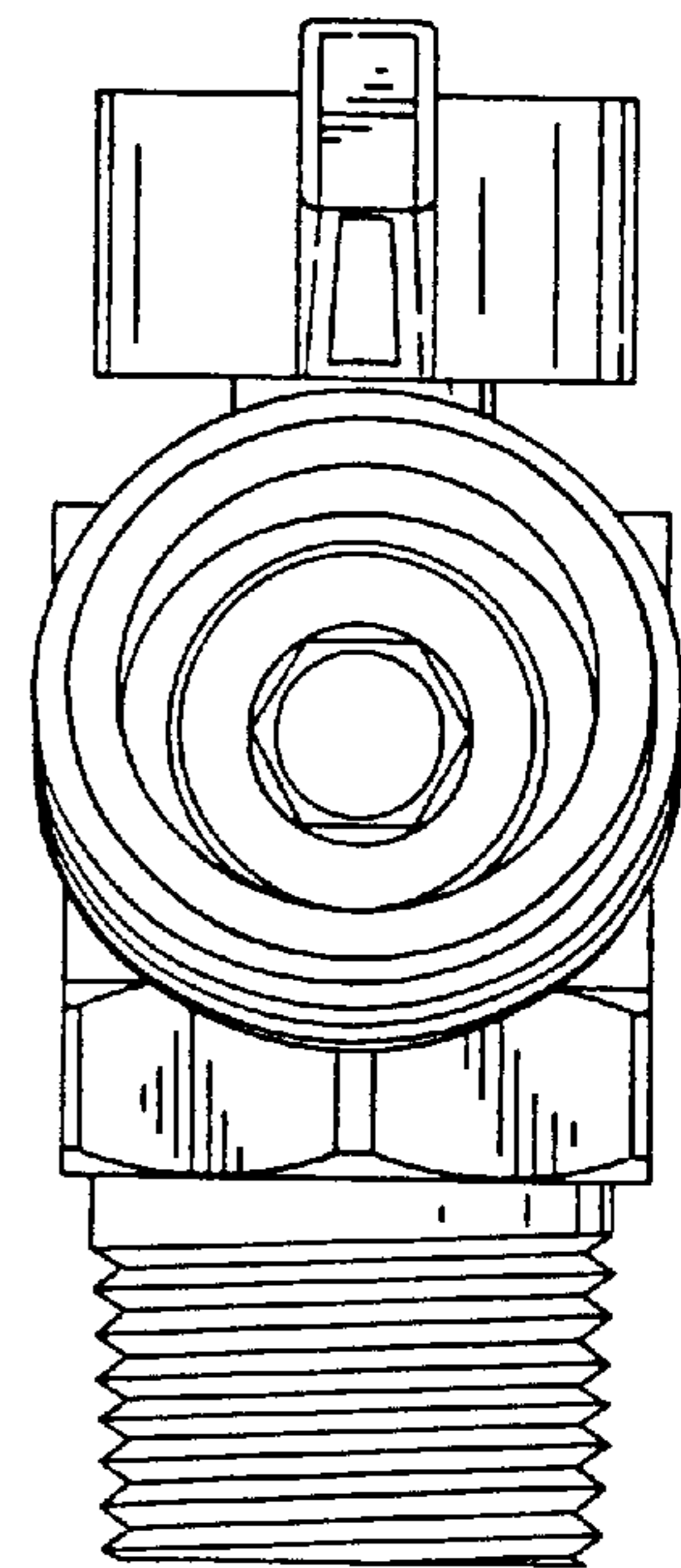


Figure 3

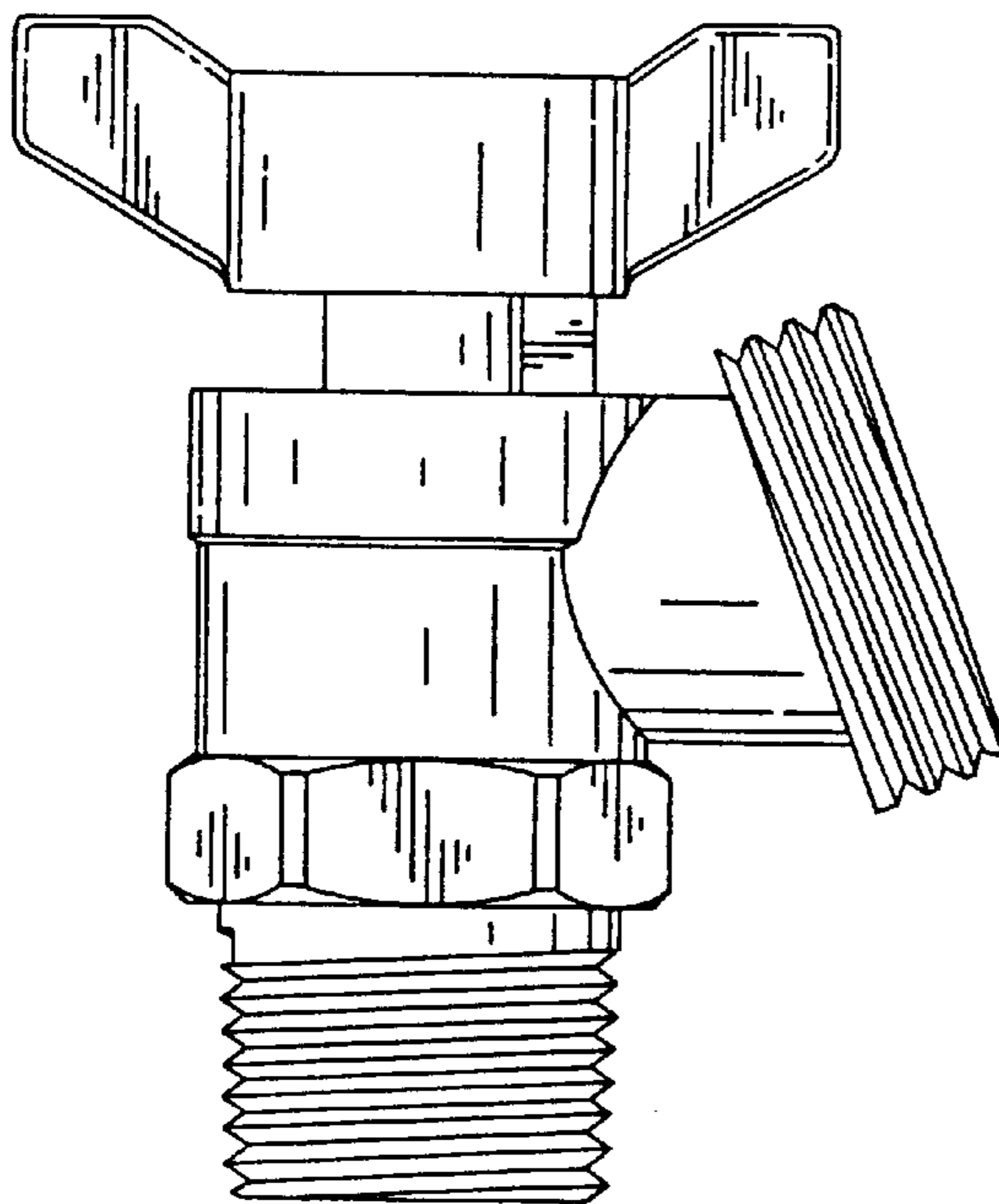


Figure 4

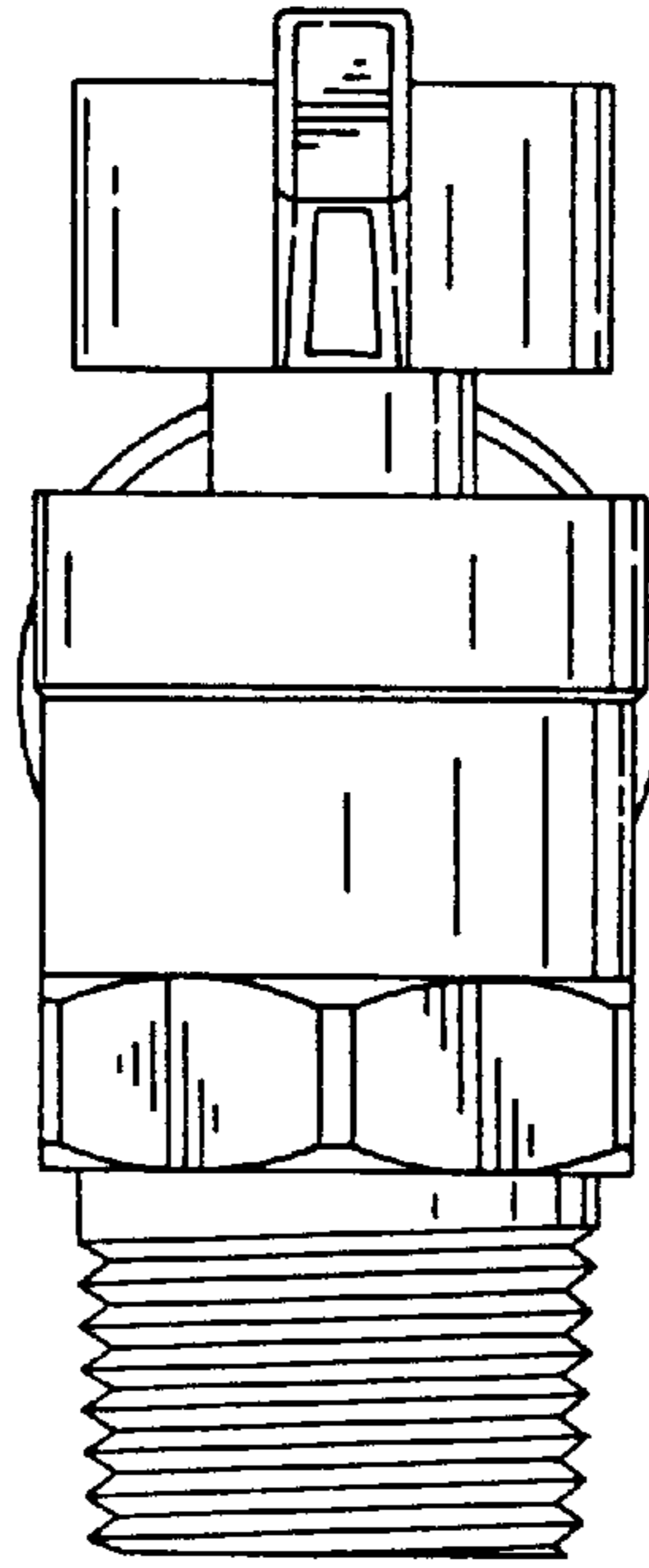


Figure 5

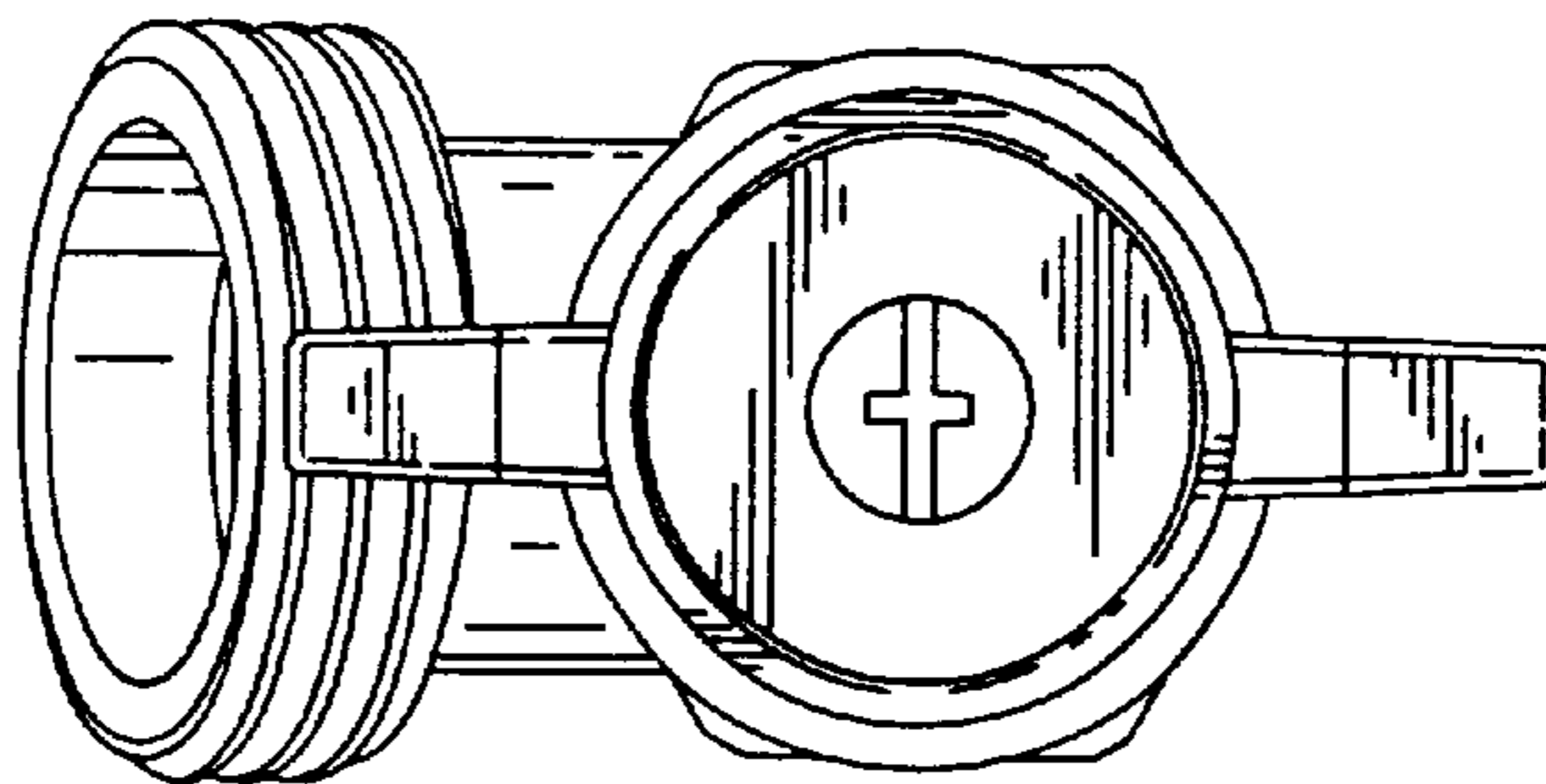


Figure 6

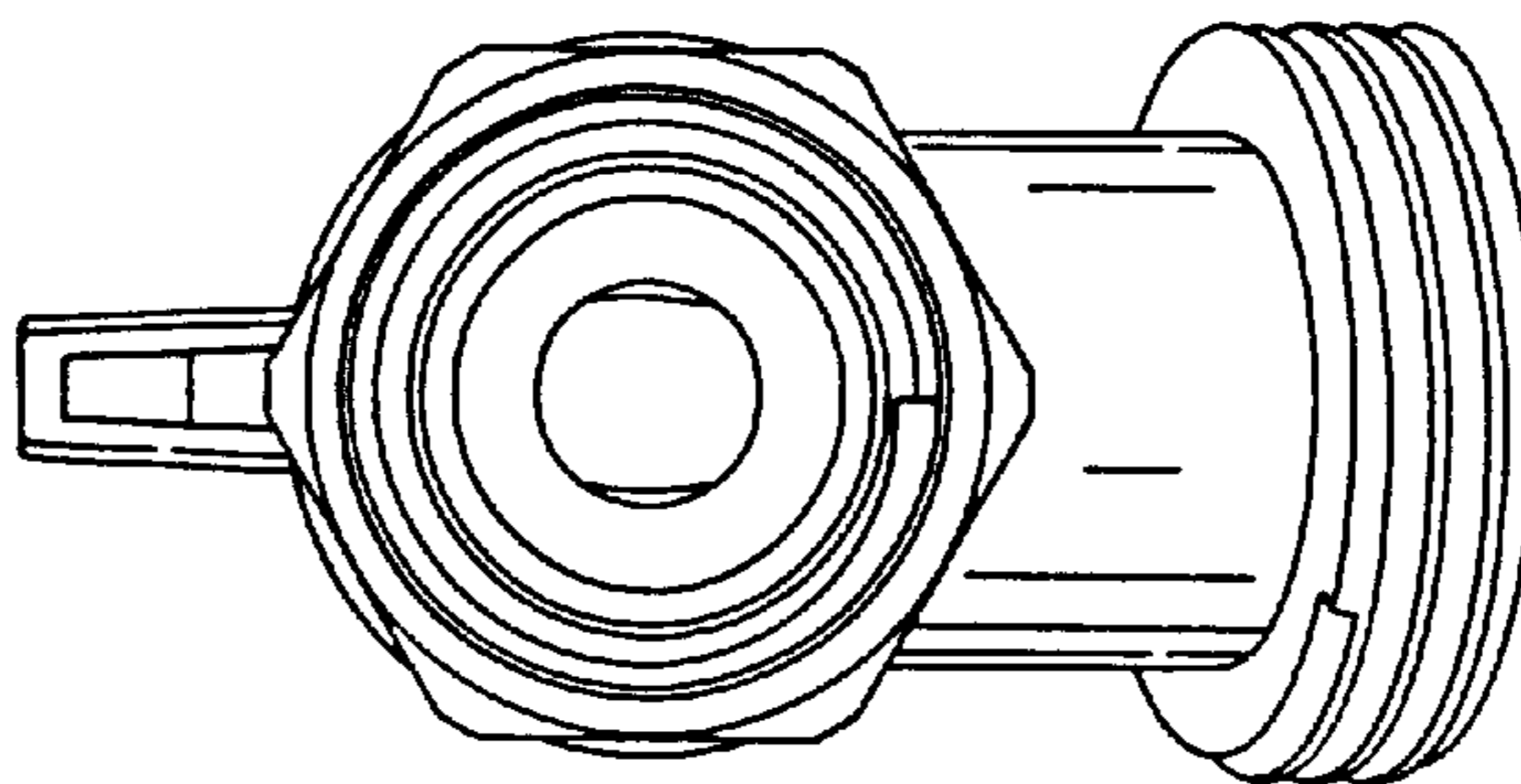


Figure 7

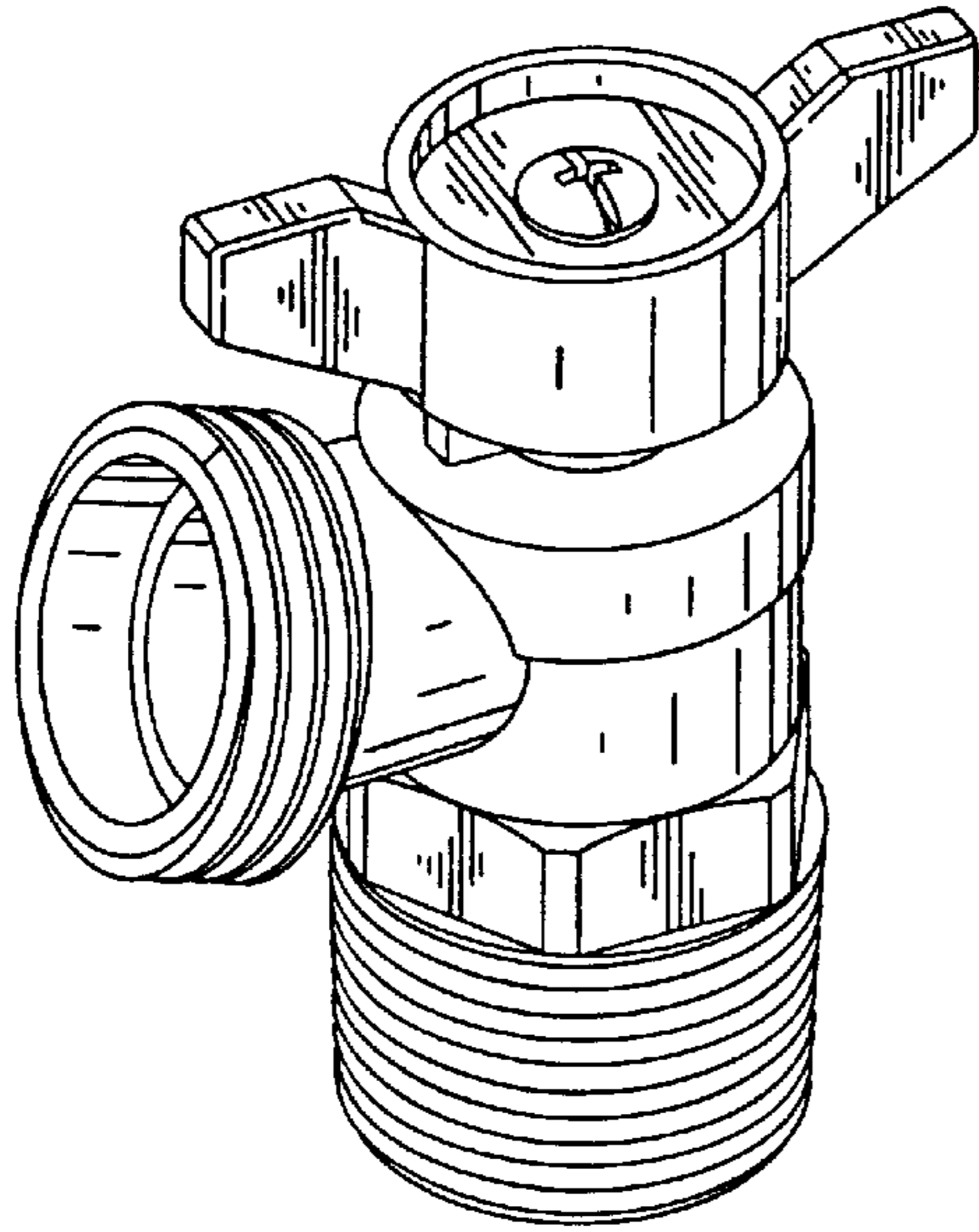


Figure 8

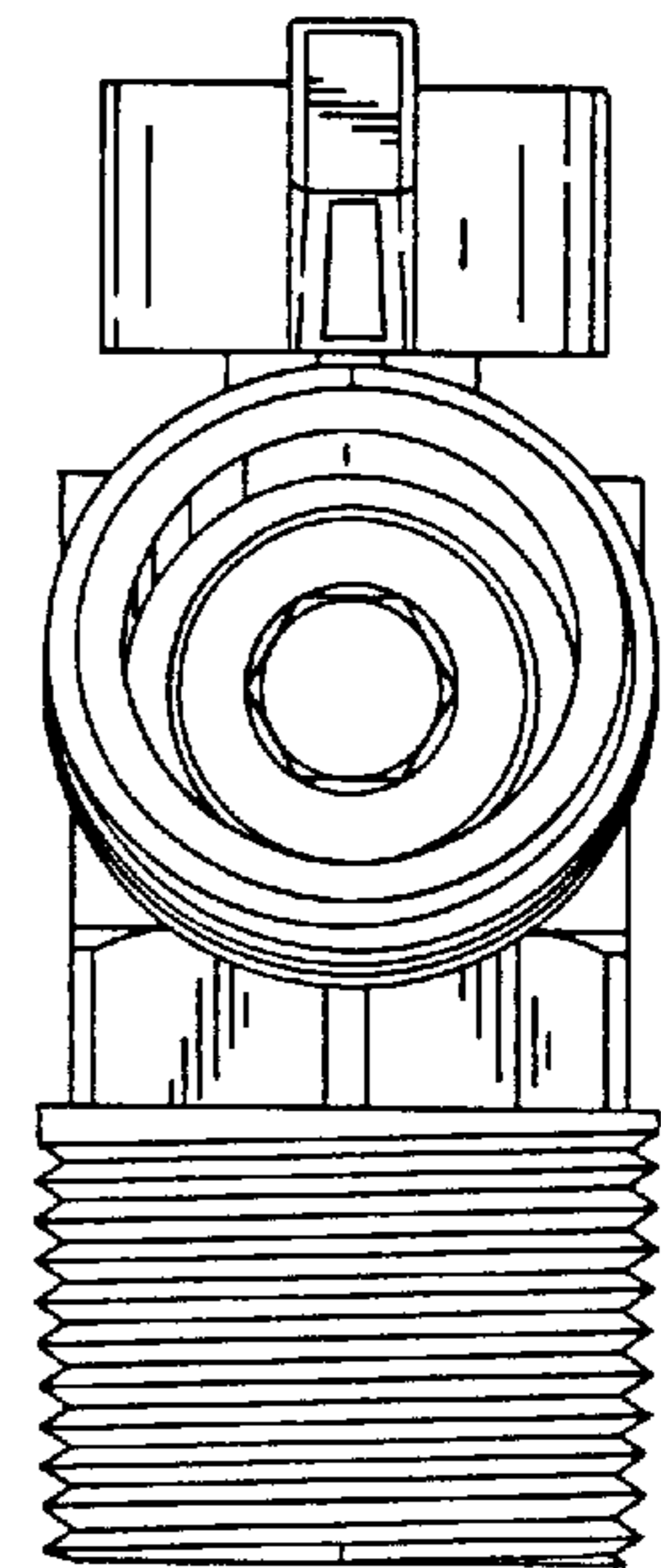


Figure 9

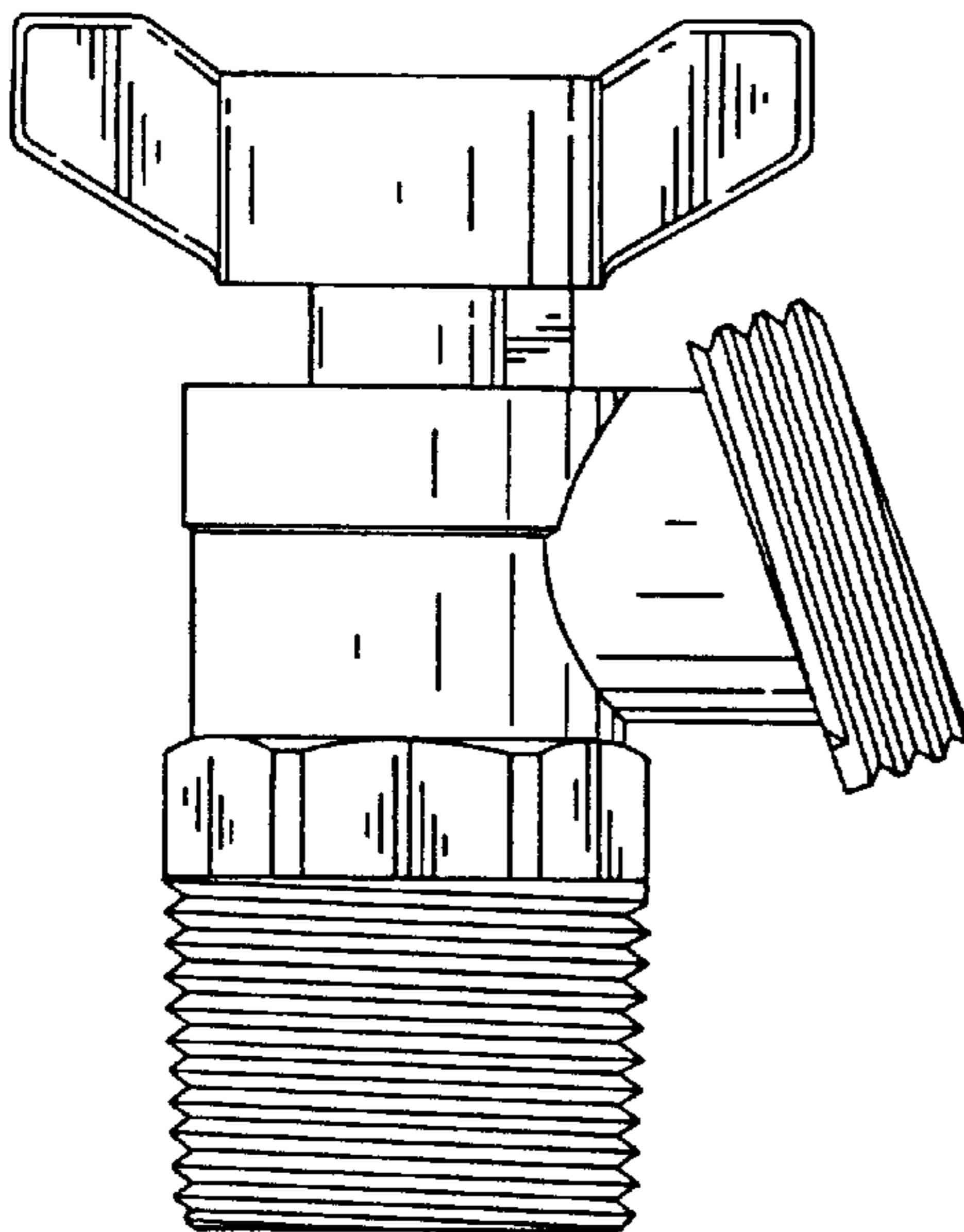


Figure 10

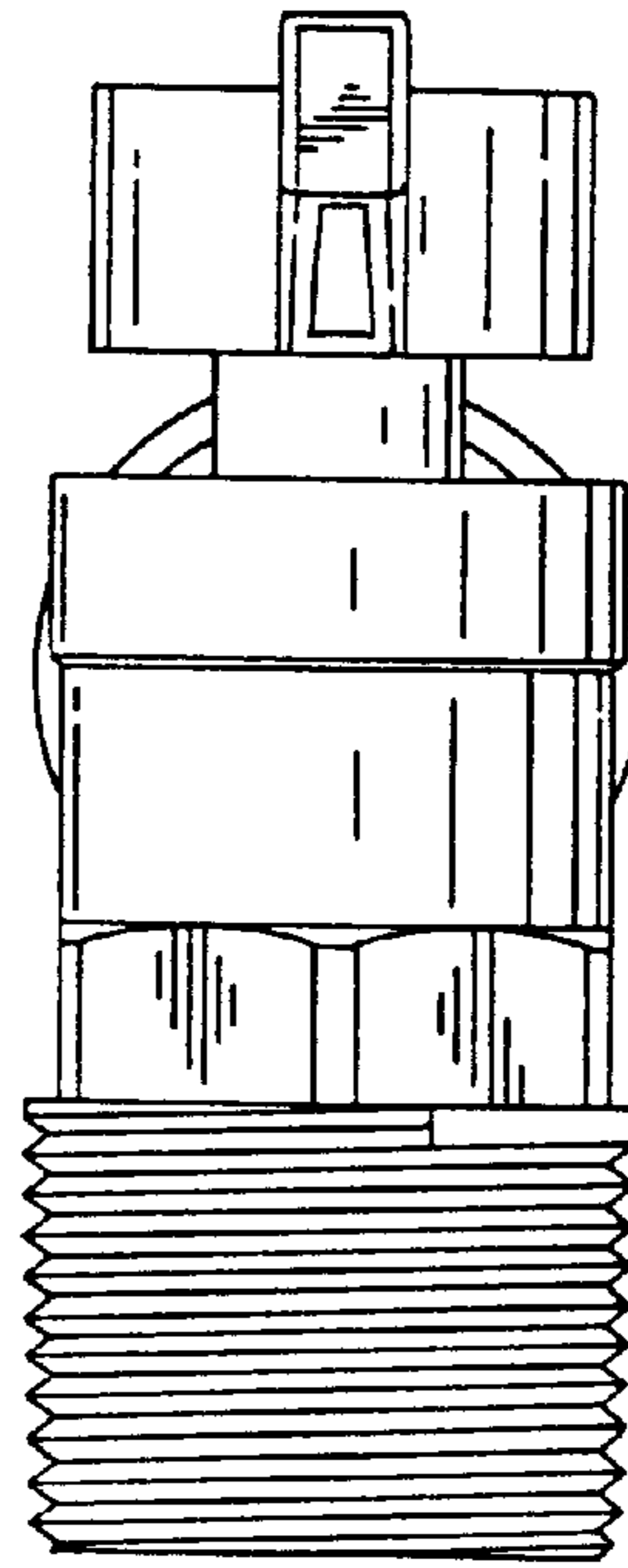


Figure 11

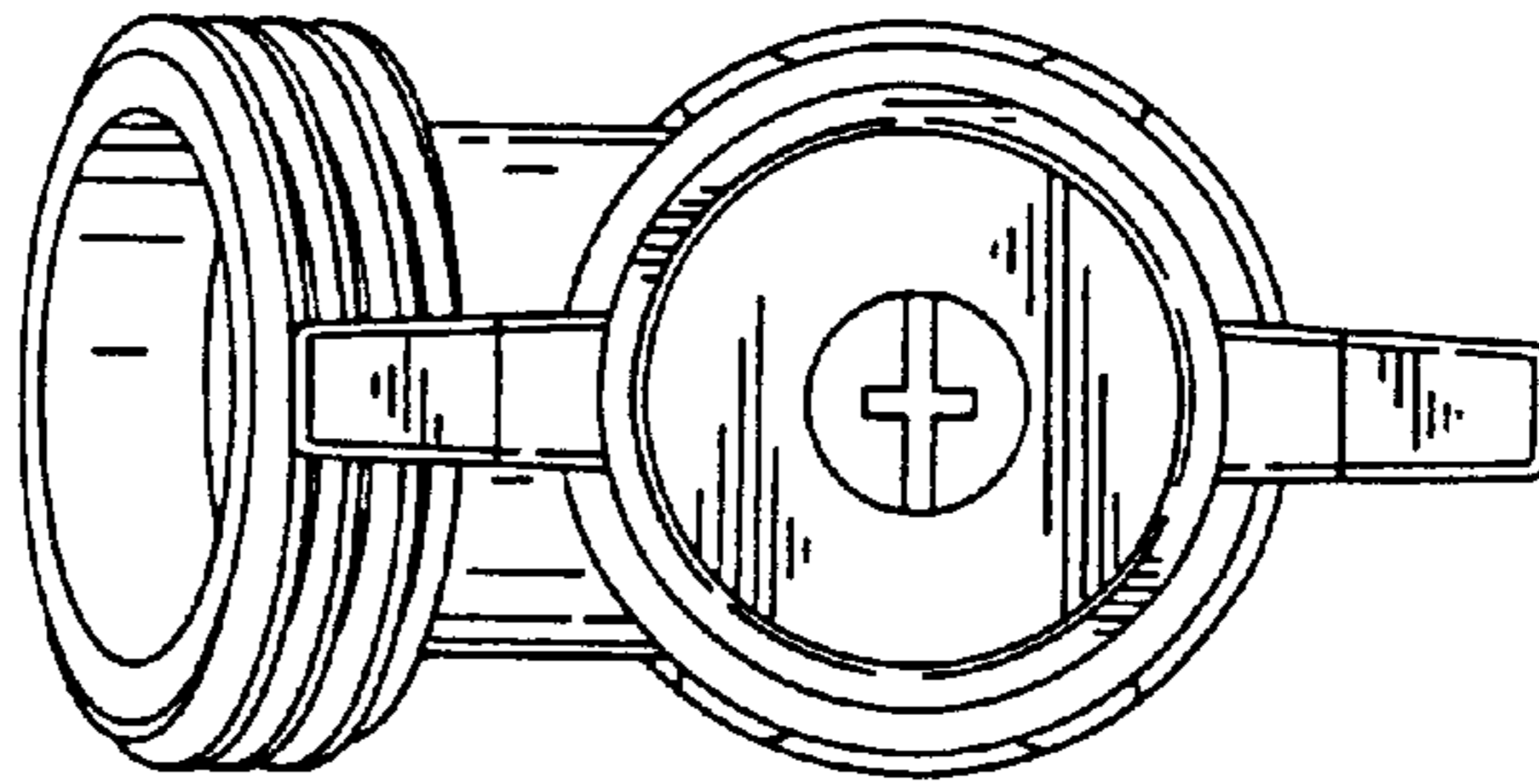


Figure 12

