



US00D486197S

(12) **United States Design Patent**
Marshall

(10) **Patent No.:** **US D486,197 S**

(45) **Date of Patent:** **** Feb. 3, 2004**

(54) **BATTING AID**

(76) **Inventor:** **Gary Marshall**, Route 9, Box 1528,
Mt. Pleasant, TX (US) 75455

(**) **Term:** **14 Years**

(21) **Appl. No.:** **29/170,885**

(22) **Filed:** **Nov. 12, 2002**

(51) **LOC (7) Cl.** **21-02**

(52) **U.S. Cl.** **D21/780**

(58) **Field of Search** D21/662, 691,
D21/698, 699, 780; D6/329, 396, 397,
410, 411, 416, 449, 462, 466, 495, 496,
499, 512, 546-549, 552; 473/415-418,
422, 421, 451-454, 476; 211/13.1, 85.7,
190, 204, 205, 207, 182; 248/95, 97, 99,
100, 121, 122.1, 125.1, 125.3, 125.7, 125.8,
128.9, 127, 405, 411-413

(56) **References Cited**

U.S. PATENT DOCUMENTS

- 1,542,164 A * 6/1925 Nelson 248/97
- 3,595,583 A * 7/1971 Oppenheimer 473/452
- 4,786,053 A * 11/1988 Barnes, Jr. 473/416
- 4,865,319 A * 9/1989 Drazinakis 473/418
- 5,011,104 A * 4/1991 Fang 248/125.8

- 5,066,010 A * 11/1991 Pingston 473/451
- D339,393 S * 9/1993 Allen D12/780
- 5,282,615 A * 2/1994 Green et al. 473/418
- 5,516,115 A * 5/1996 McLain 473/417
- 6,579,195 B2 * 6/2003 Lamb 473/417

* cited by examiner

Primary Examiner—Philip S. Hyder

Assistant Examiner—C Tuttle

(74) *Attorney, Agent, or Firm*—C. W. Alworth

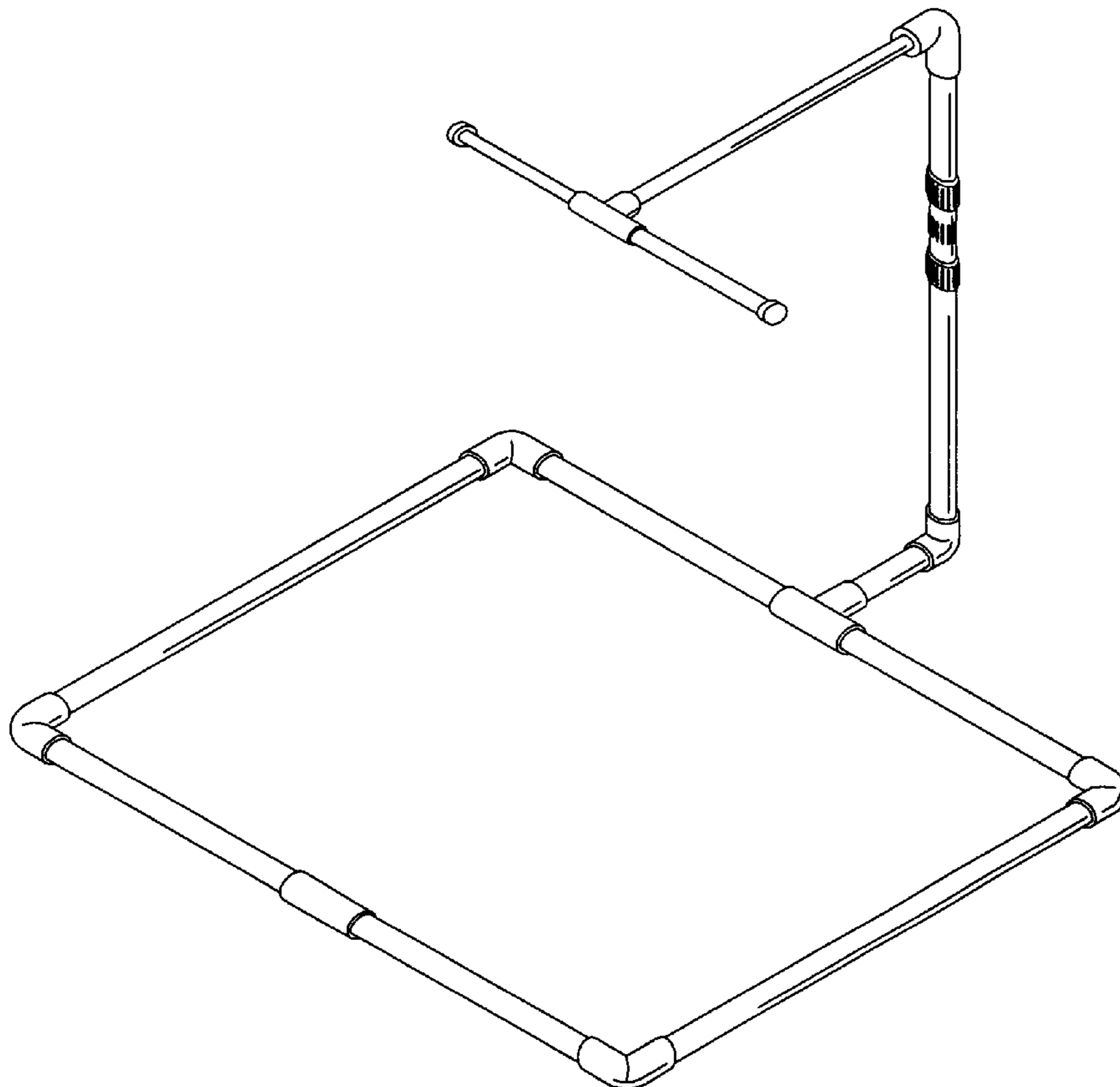
(57) **CLAIM**

The ornamental design for a batting aid, as shown and described.

DESCRIPTION

- FIG. 1 is a perspective view of a batting aid, showing my new design;
- FIG. 2 is a front view thereof;
- FIG. 3 is a rear view thereof;
- FIG. 4 is side view thereof taken from the right hand side of FIG. 1;
- FIG. 5 is side view thereof taken from the left hand side of FIG. 1;
- FIG. 6 is a top view thereof; and,
- FIG. 7 is a bottom view thereof.

1 Claim, 7 Drawing Sheets



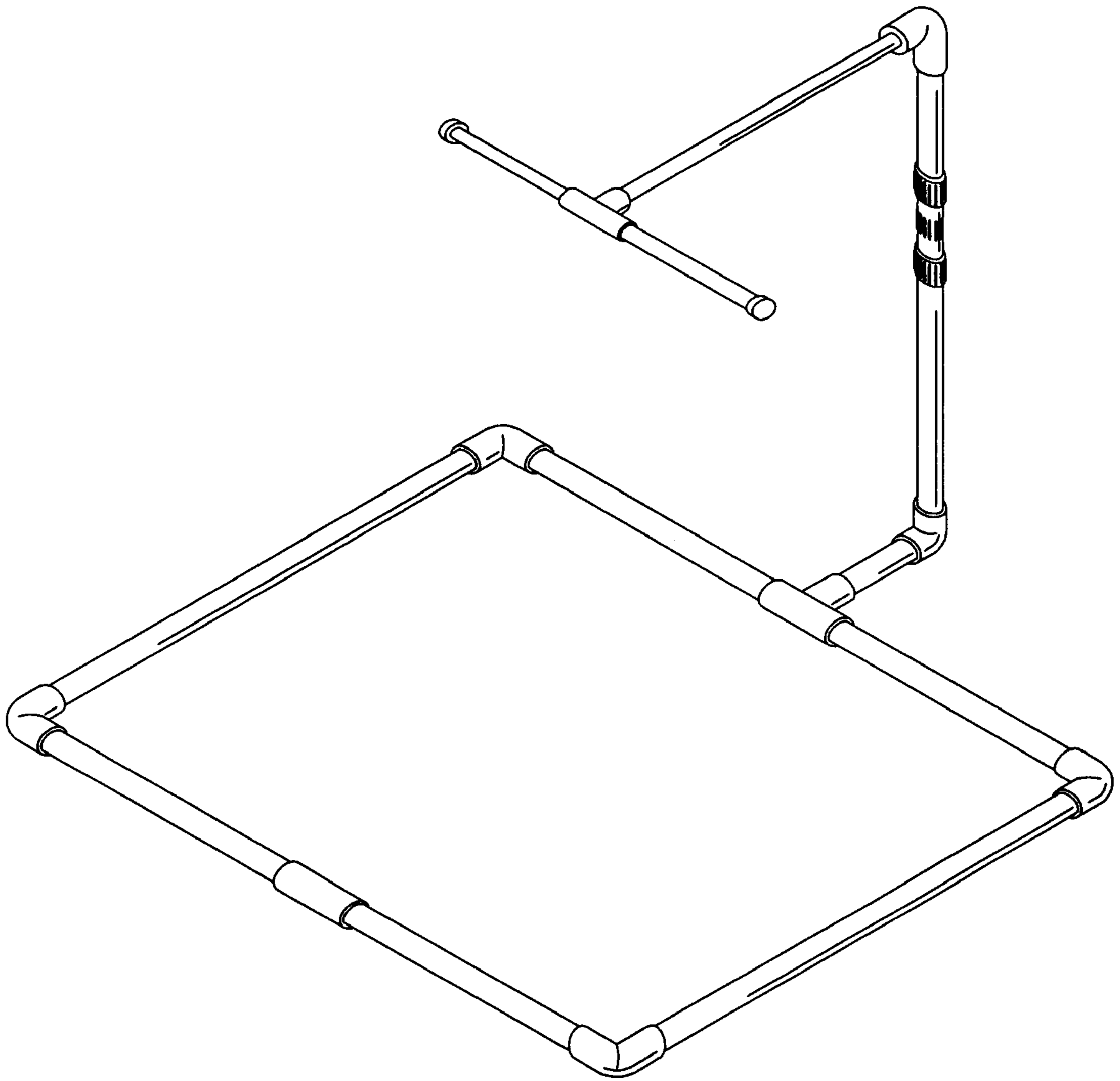


FIGURE 1

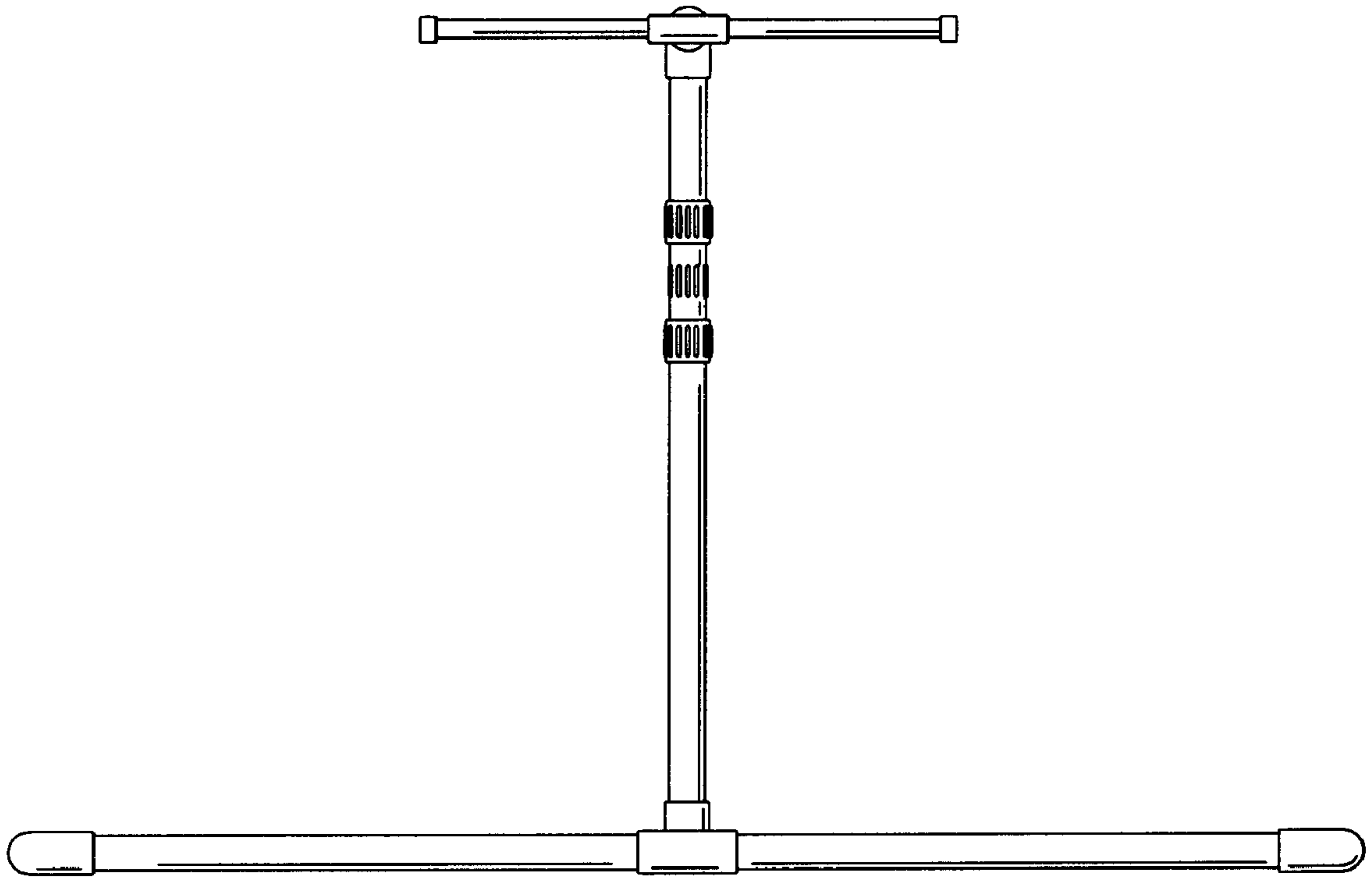


FIGURE 2

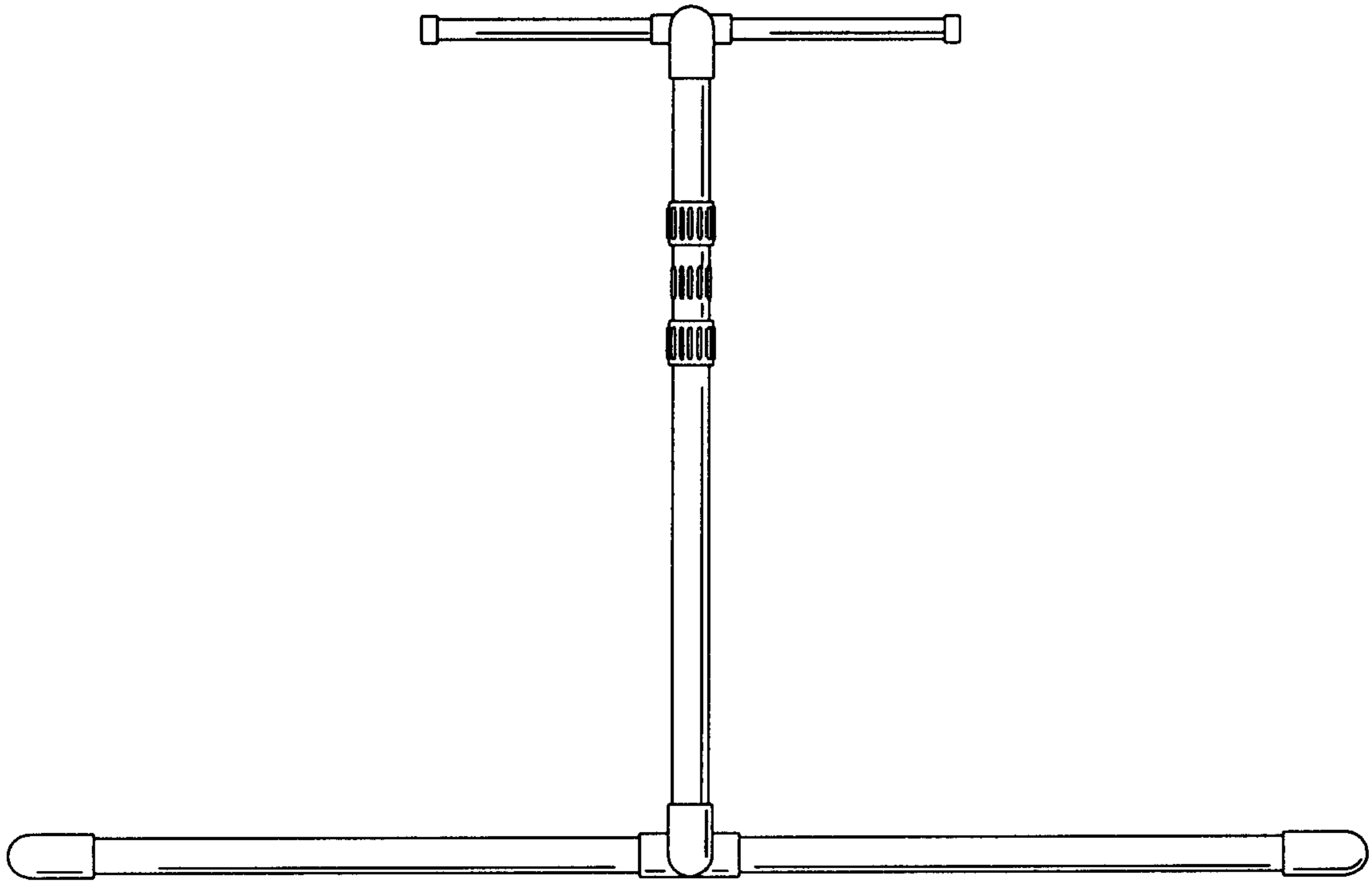


FIGURE 3

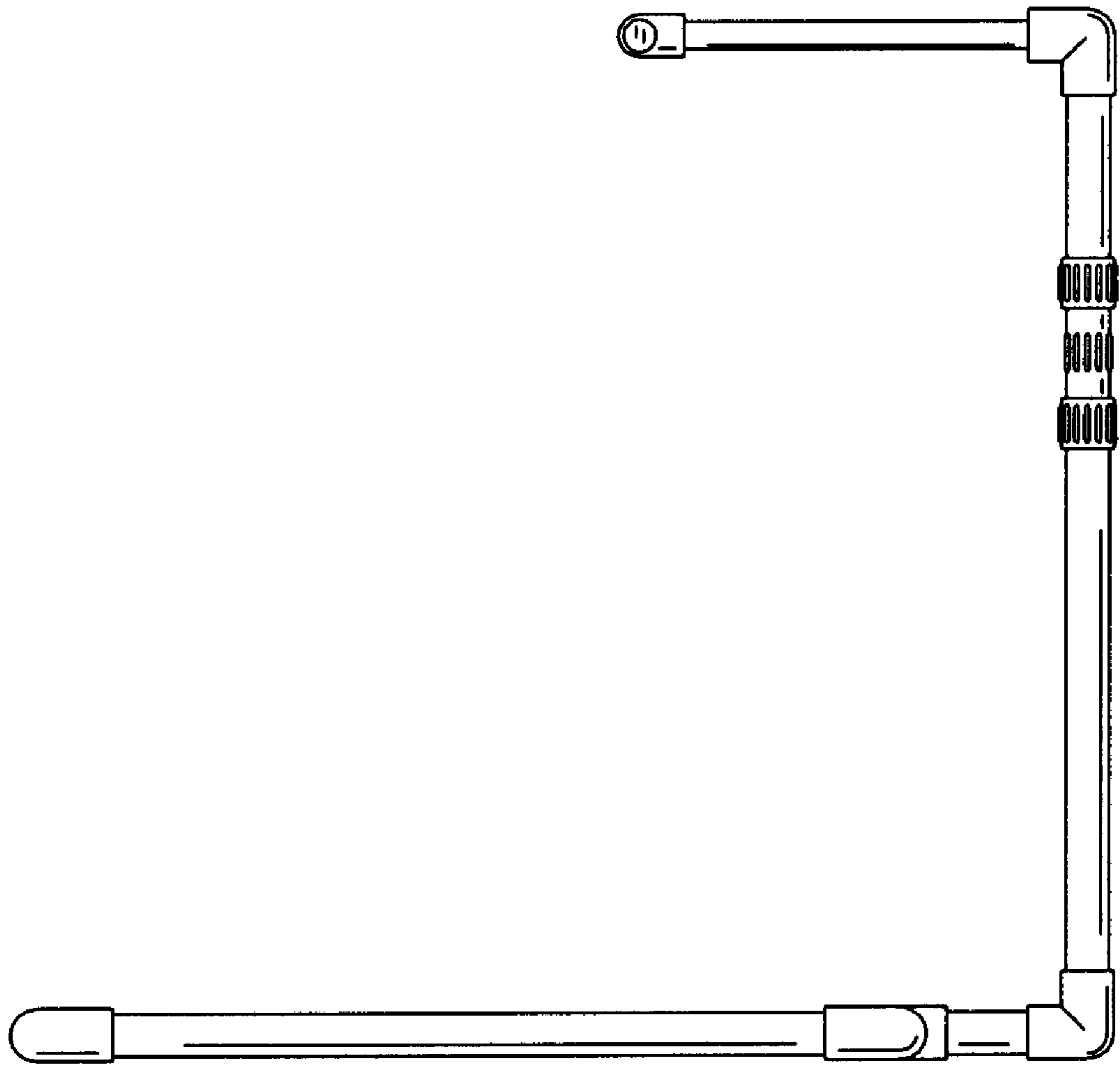


FIGURE 4

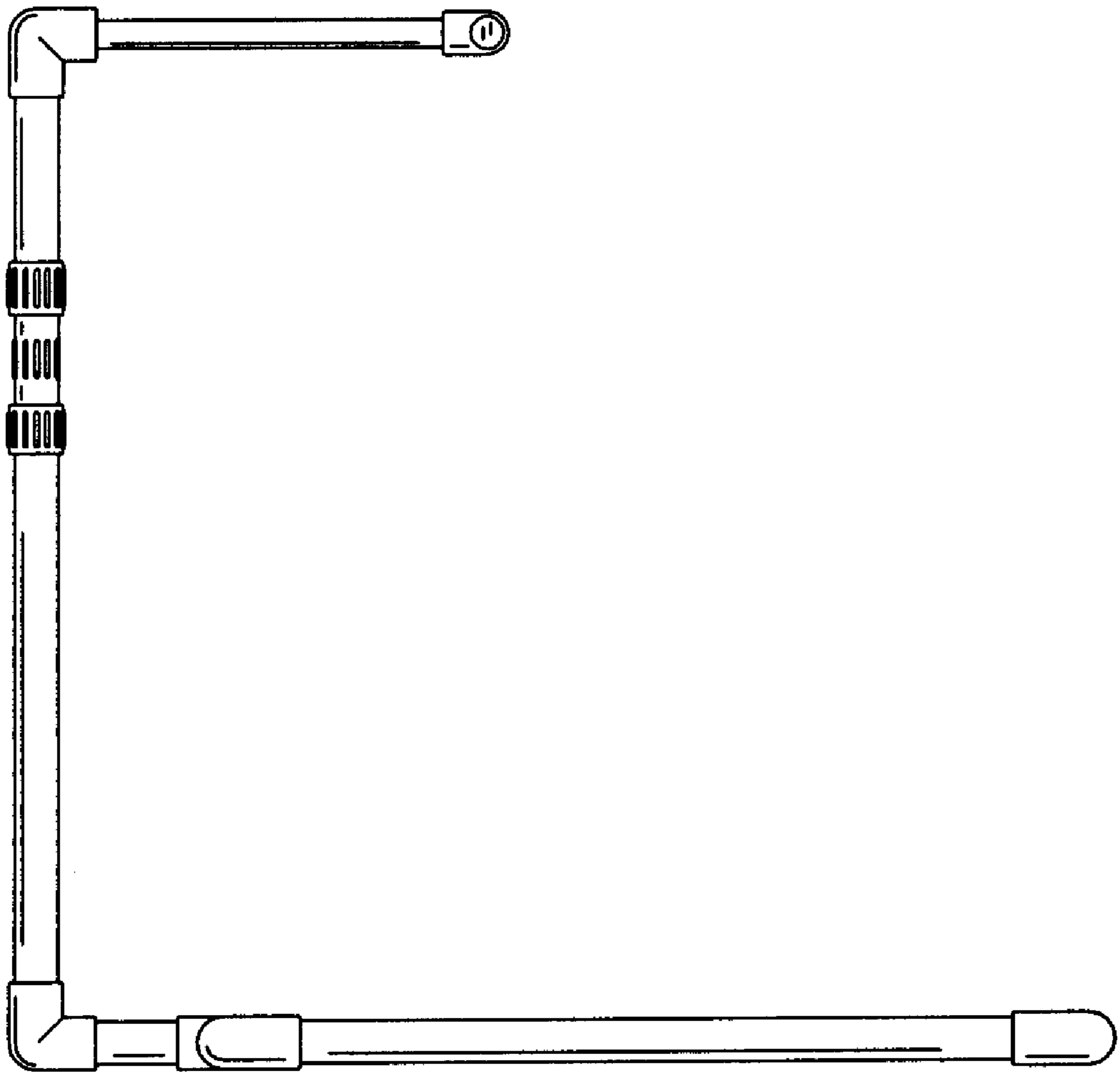


FIGURE 5

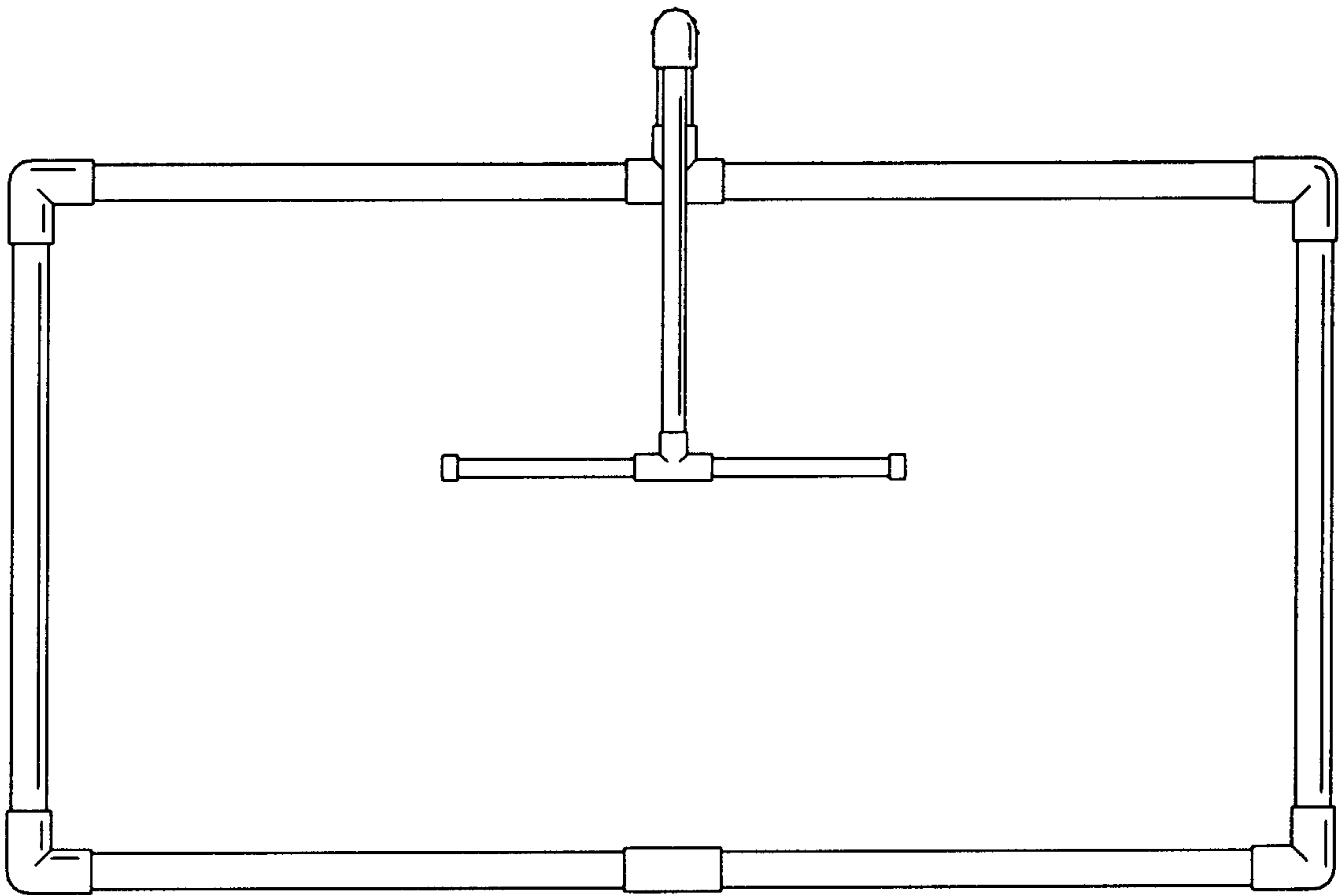


FIGURE 6

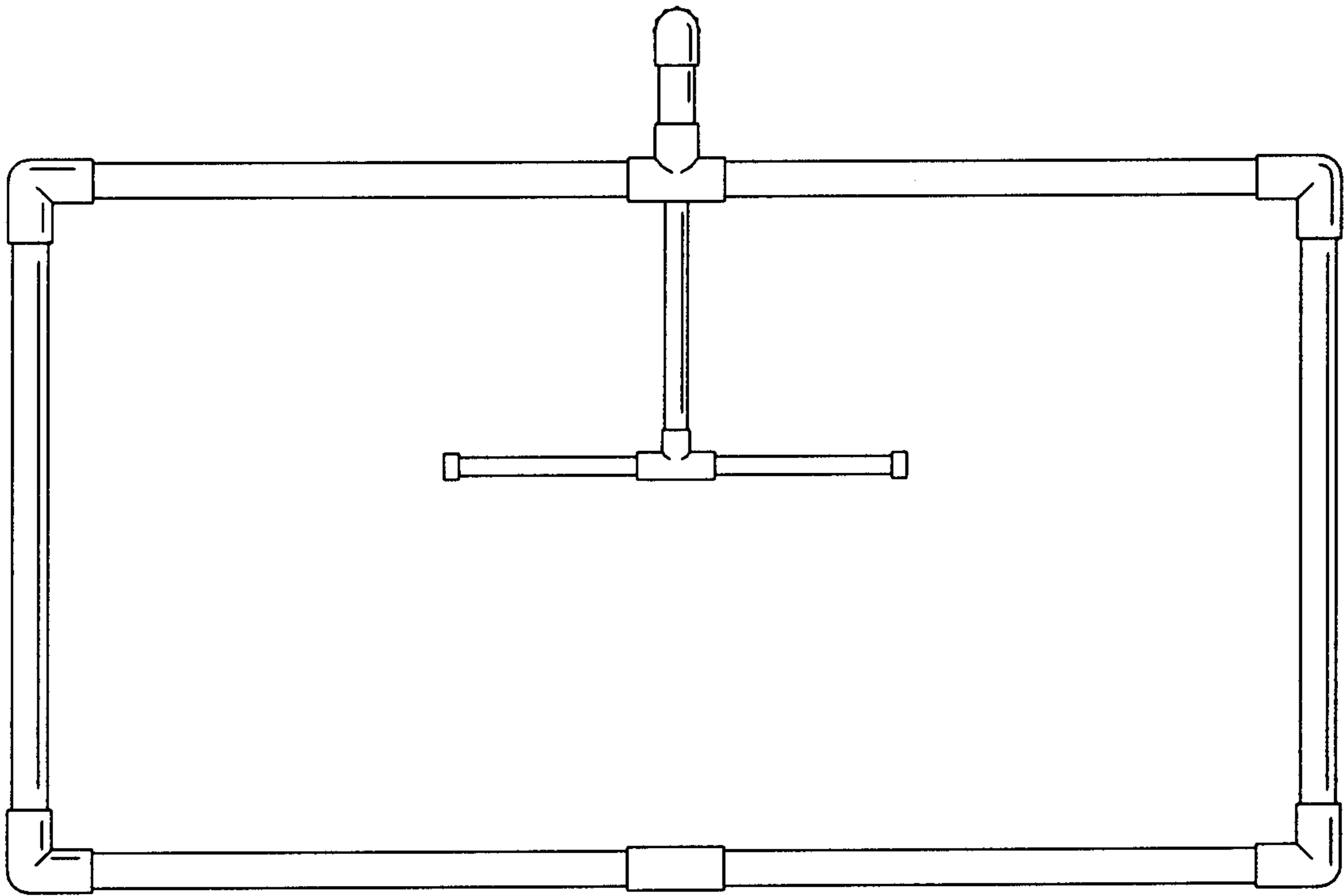


FIGURE 7