



US00D486196S

(12) **United States Design Patent**
Lefebvre

(10) **Patent No.:** **US D486,196 S**

(45) **Date of Patent:** **** Feb. 3, 2004**

(54) **SKATE BLADE HOLDER**

(75) Inventor: **Marc-André Lefebvre, Montréal (CA)**

(73) Assignee: **Sport Maska Inc., Quebec (CA)**

(**) Term: **14 Years**

(21) Appl. No.: **29/167,642**

(22) Filed: **Sep. 18, 2002**

(30) **Foreign Application Priority Data**

Jul. 11, 2002 (CA) 100013

(51) **LOC (7) Cl.** **21-02**

(52) **U.S. Cl.** **D21/771; D21/761; D21/762**

(58) **Field of Search** **D21/760-765,**
D21/771; D2/904, 896, 902; 280/11.18,
11.27, 11.12, 7.14

(56) **References Cited**

U.S. PATENT DOCUMENTS

- D250,490 S * 12/1978 Baikie et al. D21/761
- D271,036 S * 10/1983 Baikie D21/762
- 5,484,148 A * 1/1996 Olivieri 280/11.18
- D396,084 S * 7/1998 Laberge et al. D21/761
- D414,017 S * 9/1999 Lefebvre et al. D2/904

- 6,065,758 A * 5/2000 Steinhauser, Jr. 280/11.27
- 6,164,667 A * 12/2000 Olivieri 280/11.18
- 6,217,035 B1 * 4/2001 Steinhauser, Jr. 280/11.27

* cited by examiner

Primary Examiner—Raphael Barkai

(74) *Attorney, Agent, or Firm*—Timothy J. Keefer;
Wildman, Harrold, Allen & Dixon LLP

(57) **CLAIM**

The ornamental design for a skate blade holder, as shown.

DESCRIPTION

FIG. 1 is a perspective view of a skate blade holder showing my new design;

FIG. 2 is a right side elevation view thereof;

FIG. 3 is a left side elevation view thereof;

FIG. 4 is a top plan view thereof;

FIG. 5 is a front view thereof;

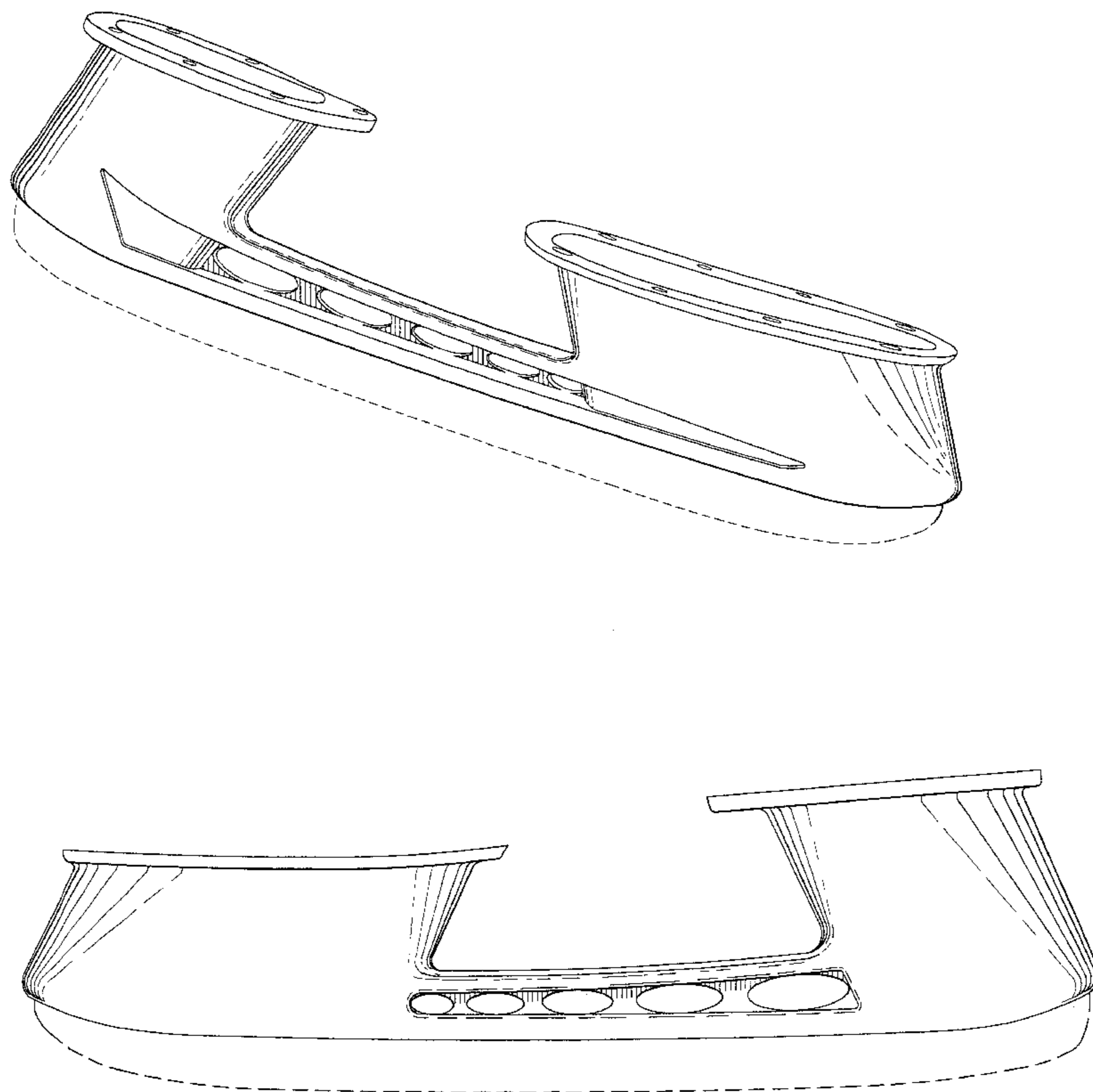
FIG. 6 is a rear view thereof;

FIG. 7 is a bottom plan view thereof; and,

FIG. 8 is a cross-sectional view thereof, taken along line 8—8 on FIG. 2.

The broken lines showing the blade in each figure are for illustrative purposes only and form no part of the claimed design.

1 Claim, 6 Drawing Sheets



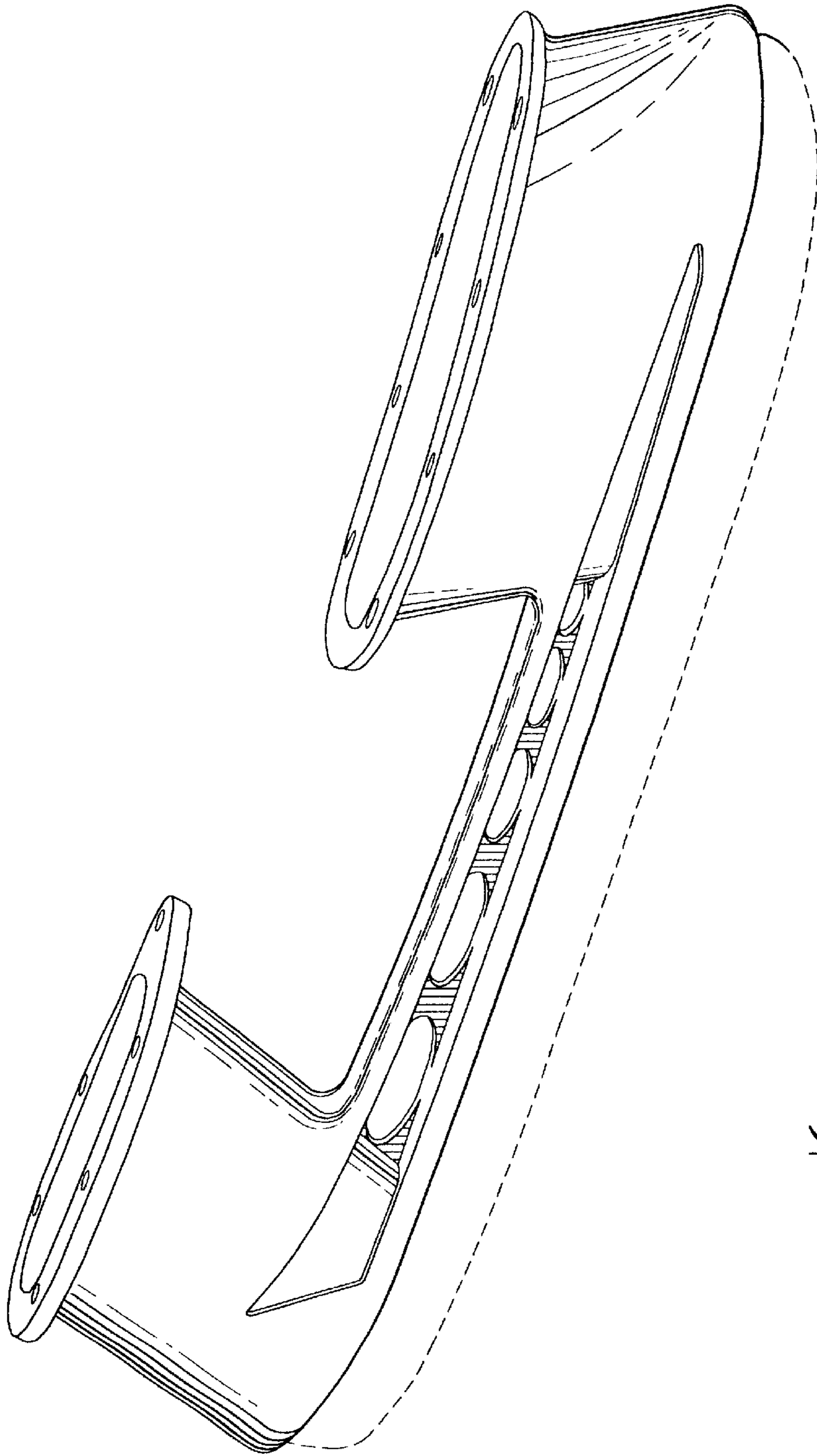


Fig. 1

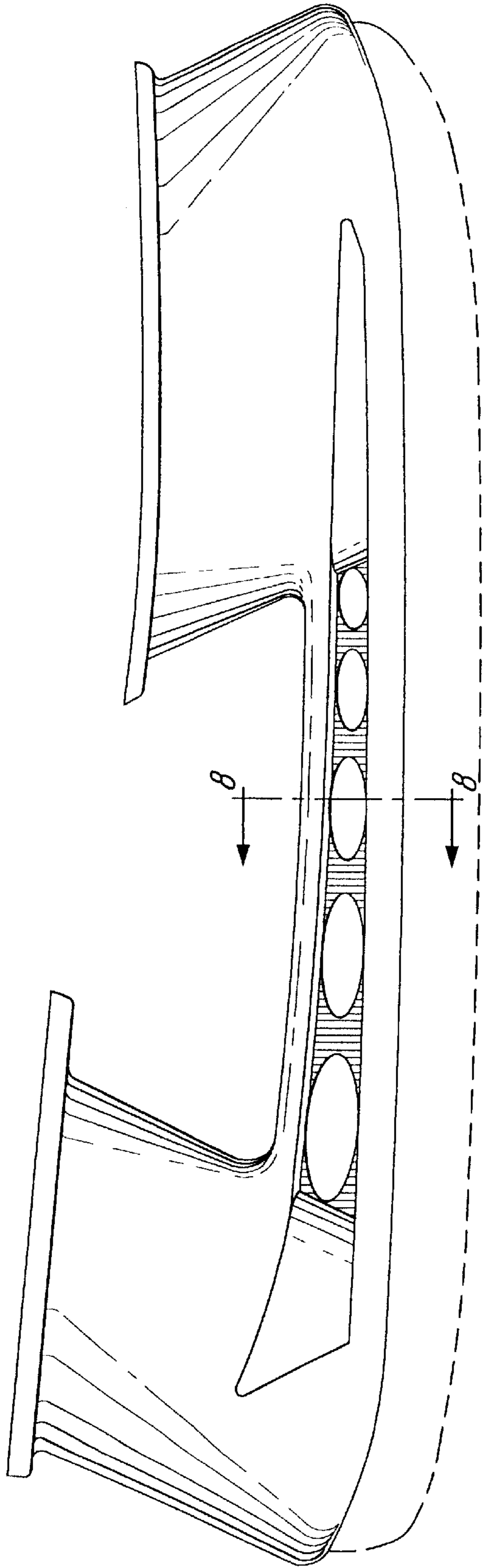


Fig. 2

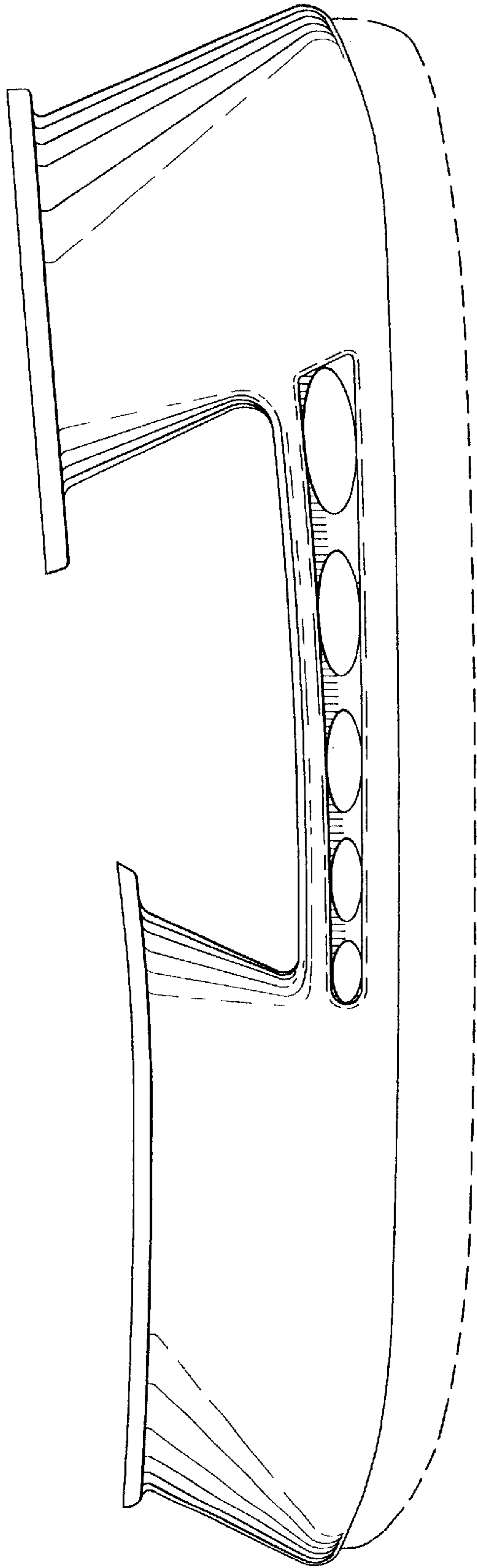


Fig. 3

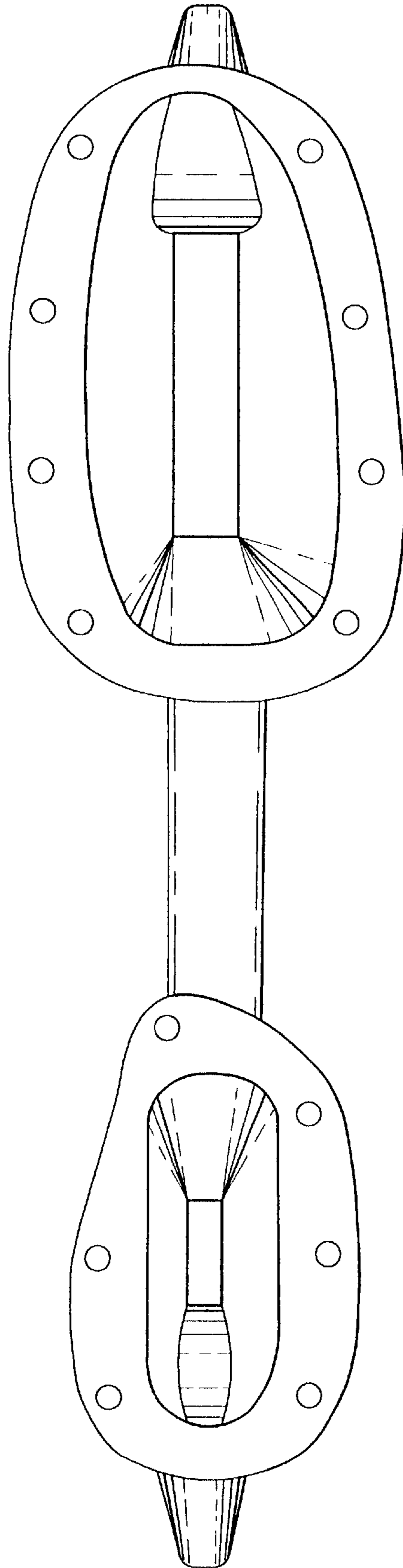


Fig. 4

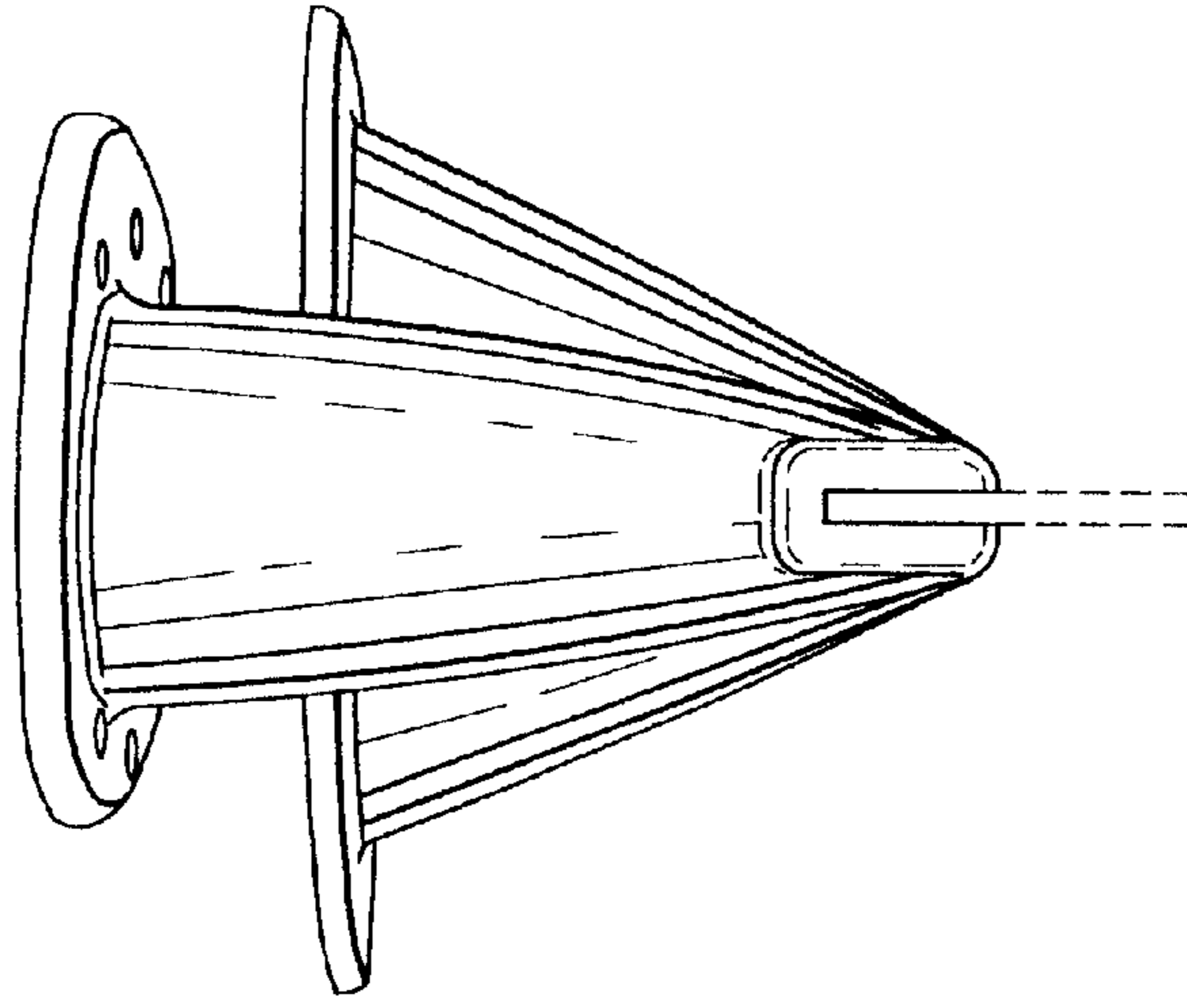


Fig. 6

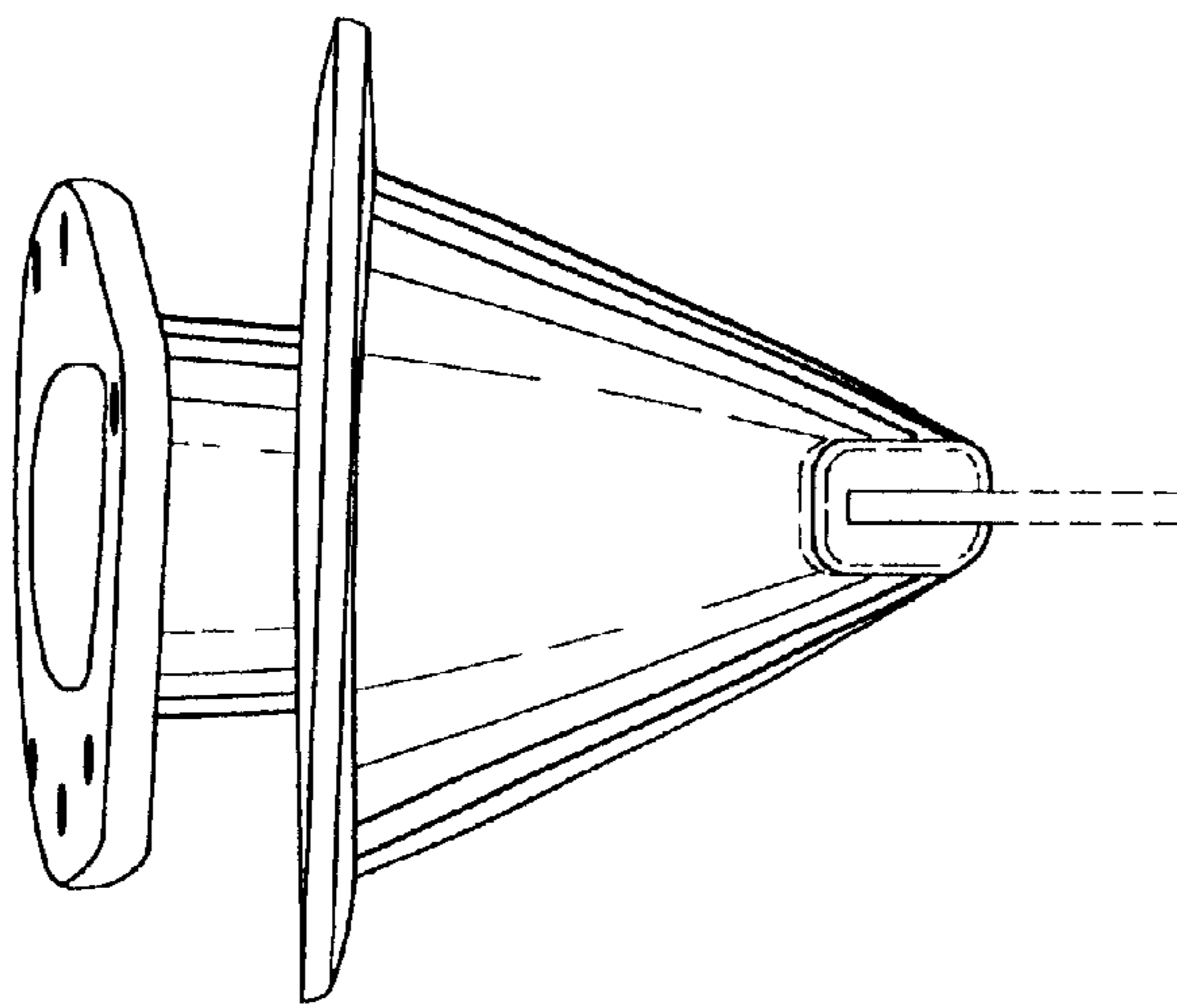


Fig. 5

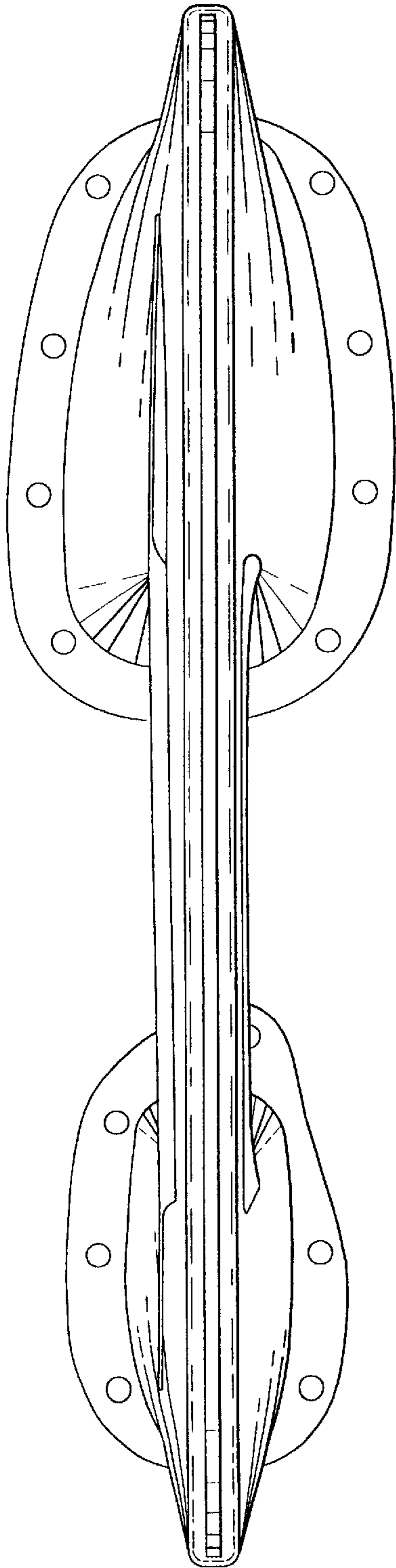


Fig. 7

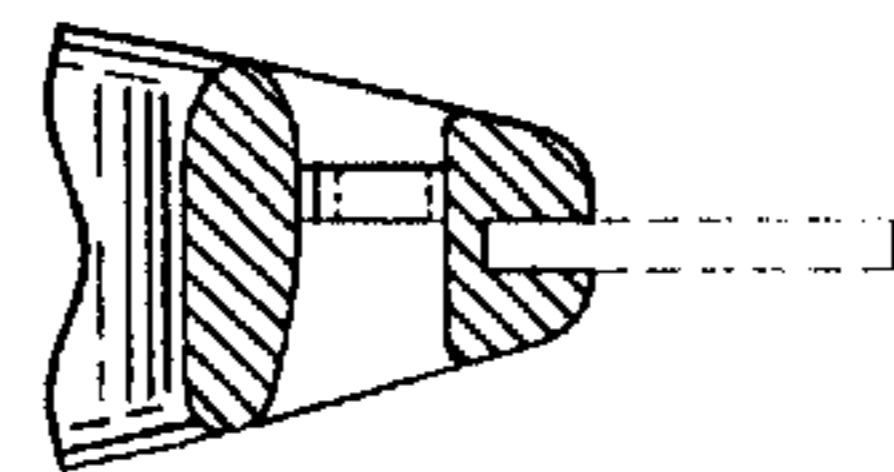


Fig. 8