



US00D486194S

(12) **United States Design Patent**
Helmstetter et al.

(10) **Patent No.: US D486,194 S**

(45) **Date of Patent: ** Feb. 3, 2004**

(54) **PUTTER HEAD**

(75) Inventors: **Richard C. Helmstetter**, Rancho Santa Fe, CA (US); **Ronald K. Hettinger**, Oceanside, CA (US); **Joshua G. Breier**, Vista, CA (US)

(73) Assignee: **Callaway Golf Company**, Carlsbad, CA (US)

(**) Term: **14 Years**

(21) Appl. No.: **29/184,026**

(22) Filed: **Sep. 4, 2003**

(51) **LOC (7) Cl. 21-02**

(52) **U.S. Cl. D21/743**

(58) **Field of Search D21/736-746;**
473/324, 327, 328, 340, 341, 251-256

(56) **References Cited**

U.S. PATENT DOCUMENTS

1,485,272 A	2/1924	Kinsman
1,526,951 A	2/1925	Beaumont
1,546,612 A	7/1925	Barnes
1,569,295 A	1/1926	Munson
1,652,404 A	12/1927	Graveure
1,654,916 A	1/1928	Boyce
1,666,174 A	4/1928	Holland
1,703,199 A	2/1929	McClure
D85,510 S	6/1931	Beach
D90,924 S	8/1933	Replogle
1,960,110 A	5/1934	Iles
D95,819 S	3/1935	Gourlay
2,002,631 A	5/1935	Fiondella
2,056,335 A	10/1936	Wettlaufer
2,057,821 A	10/1936	Costello
D104,495 S	5/1937	Gallagher
2,156,025 A	4/1939	Paul
2,447,967 A	8/1948	Stone
2,478,468 A	8/1949	Drake
2,708,579 A	5/1955	Hugman
D179,002 S	10/1956	Hoffmeister
D179,246 S	11/1956	Gillon
2,781,197 A	2/1957	Wiley

2,838,312 A	6/1958	Drake
2,957,696 A	10/1960	Warpotas
3,021,141 A	2/1962	Polsky et al.
3,064,975 A	11/1962	Smith
D200,585 S	3/1965	Cefaly
3,194,564 A	7/1965	Swan
3,220,733 A	11/1965	Saleeby
3,300,241 A	1/1967	Eberwein et al.
3,310,879 A	3/1967	Brzezinski et al.
3,328,032 A	6/1967	Griswold
3,333,854 A	8/1967	White
3,343,839 A	9/1967	Borah
D209,294 S	11/1967	Hitt
3,357,705 A	12/1967	Blanchard
3,408,074 A	10/1968	Antonious
3,411,789 A	11/1968	Warner
D213,509 S	* 3/1969	Solheim D21/743
D217,487 S	5/1970	Blake
3,512,262 A	5/1970	Smyk et al.
3,578,332 A	5/1971	Caldwell
3,632,112 A	1/1972	Jacobs
3,708,172 A	1/1973	Rango
3,779,398 A	12/1973	Hunter
D230,615 S	3/1974	Delgadillo
D231,375 S	* 4/1974	Solheim D21/742
3,806,129 A	4/1974	Burrows

(List continued on next page.)

Primary Examiner—Mitchell Siegel
(74) *Attorney, Agent, or Firm*—Michael A. Catania; Elaine H. Lo

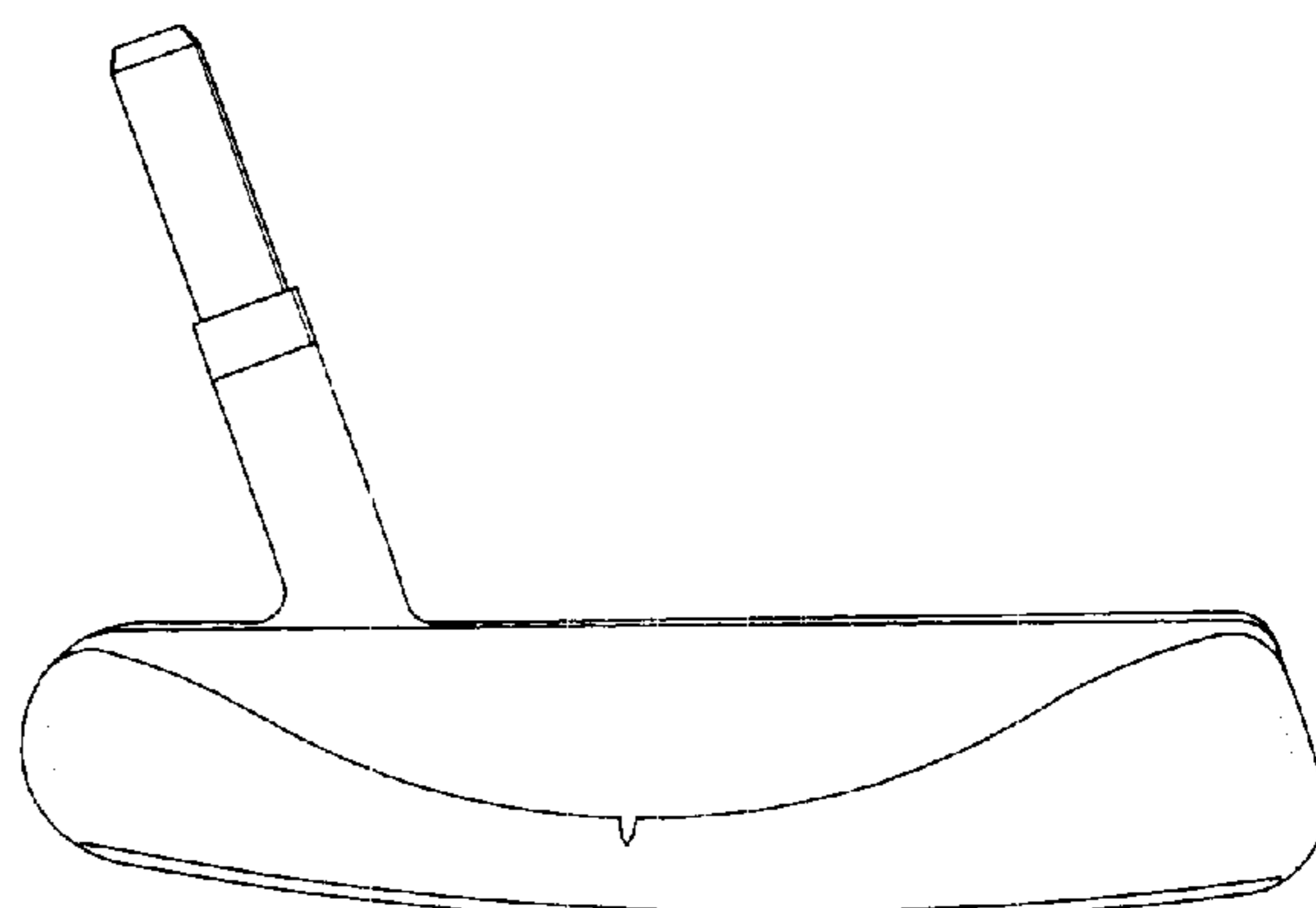
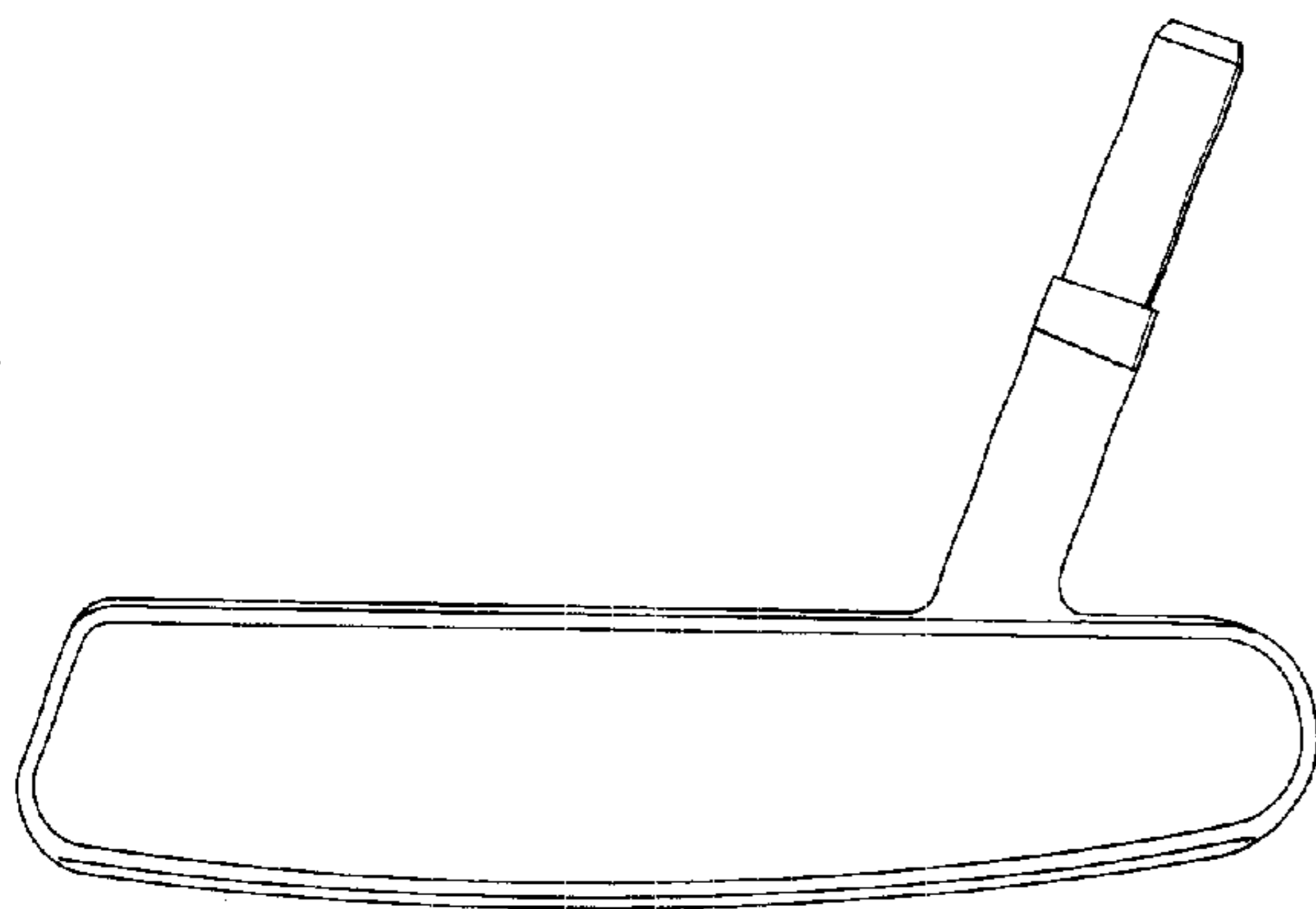
(57) **CLAIM**

The ornamental design for a putter head, as shown and described.

DESCRIPTION

FIG. 1 is a front view of the putter head;
FIG. 2 is a top plan view of the putter head;
FIG. 3 is a rear view of the putter head;
FIG. 4 is a bottom plan view of the putter head;
FIG. 5 is toe side view of the putter head; and,
FIG. 6 is a heel side view of the putter head.

1 Claim, 2 Drawing Sheets



US D486,194 S

Page 2

U.S. PATENT DOCUMENTS

3,841,640	A	10/1974	Gaulocher		D458,656	S	6/2002	Tang et al.
3,841,641	A	10/1974	Bennett		D461,514	S	8/2002	Tang et al.
D233,616	S	11/1974	Verzillo		D461,515	S	8/2002	Tang et al.
3,884,477	A	5/1975	Bianco		D461,860	S	8/2002	Tang
3,918,720	A	11/1975	Gordos		D461,861	S	8/2002	Tang et al.
D241,563	S	9/1976	McCord		D463,002	S	9/2002	Tang et al.
D248,050	S	5/1978	Muehl		D467,985	S	12/2002	Tang et al.
D252,221	S	6/1979	Mariani		D470,904	S	2/2003	Tang et al.
D408,064	S	* 4/1999	Slucker D21/736	D471,245	S	3/2003	Tang et al.
D427,262	S	* 6/2000	Frazetta D21/743	D472,594	S	4/2003	Tang et al.
D443,905	S	* 6/2001	Nicolette et al. D21/743	D472,595	S	4/2003	Tang et al.
D457,586	S	5/2002	Tang et al.		D475,106	S	5/2003	Tang et al.

* cited by examiner

FIG. 1

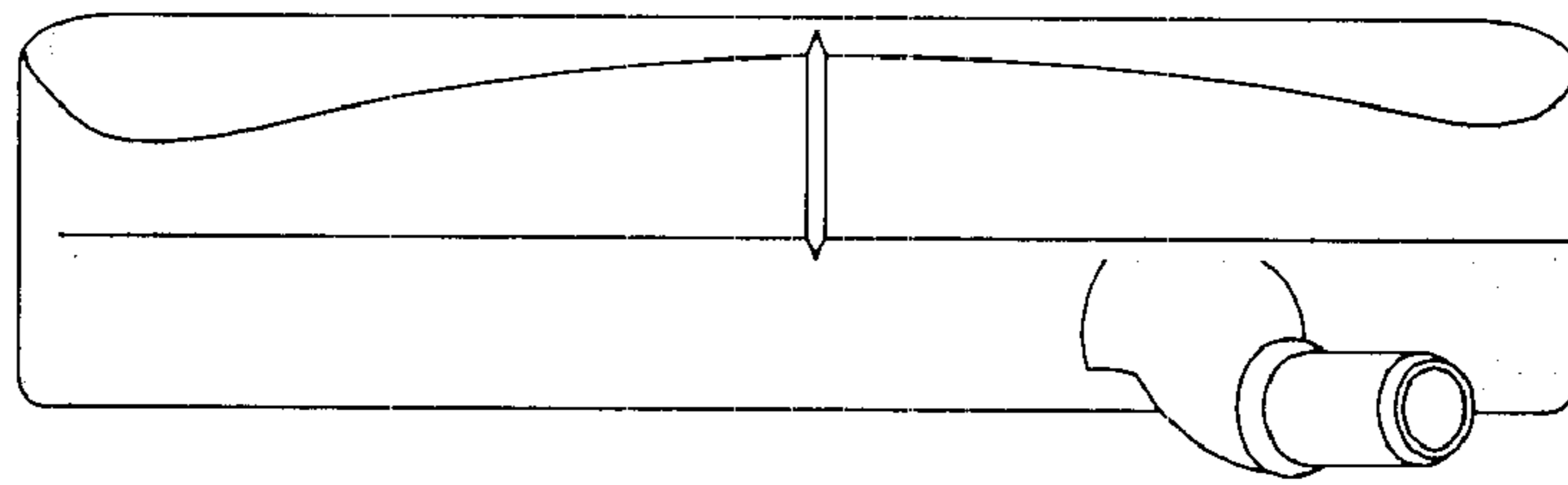
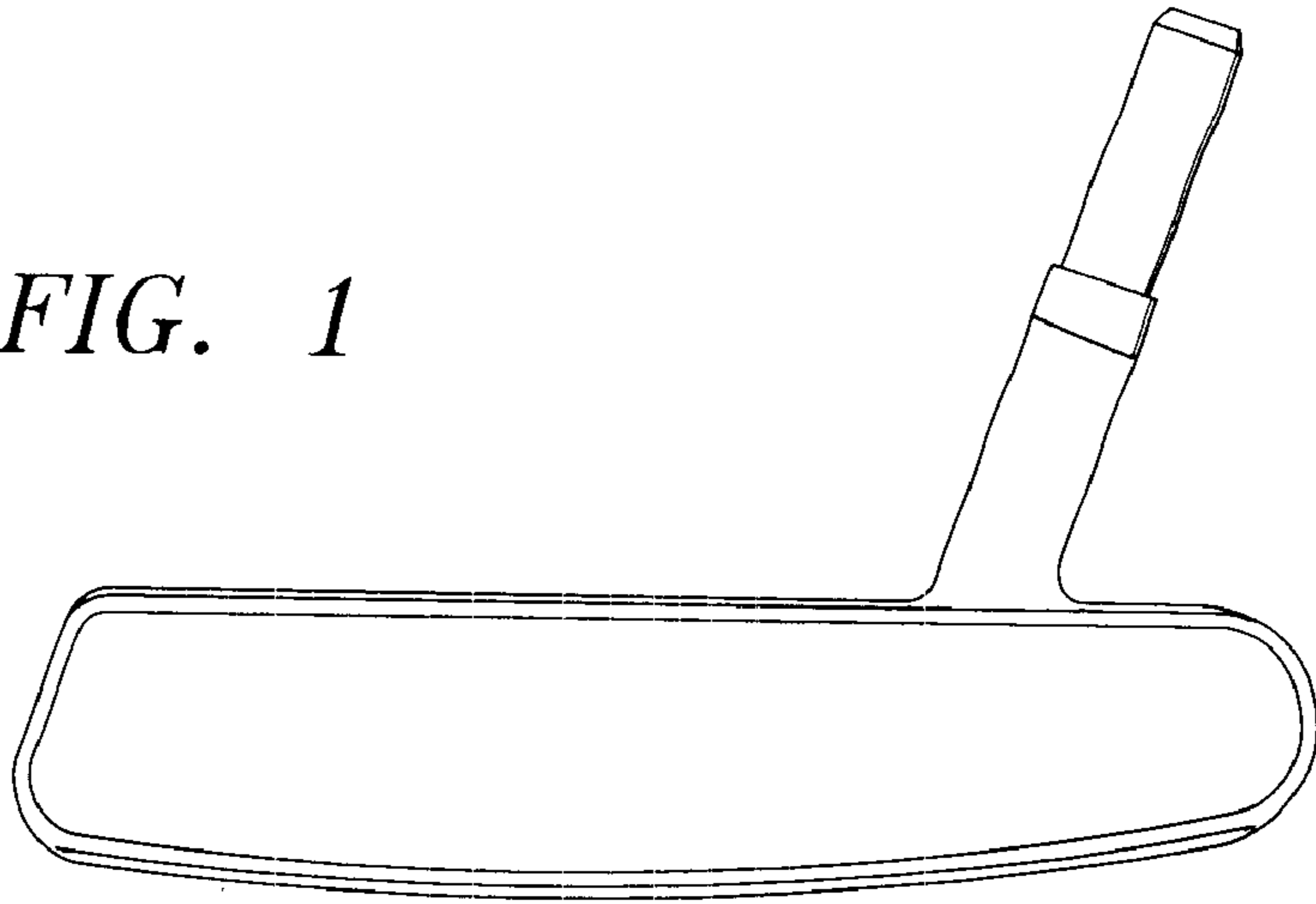
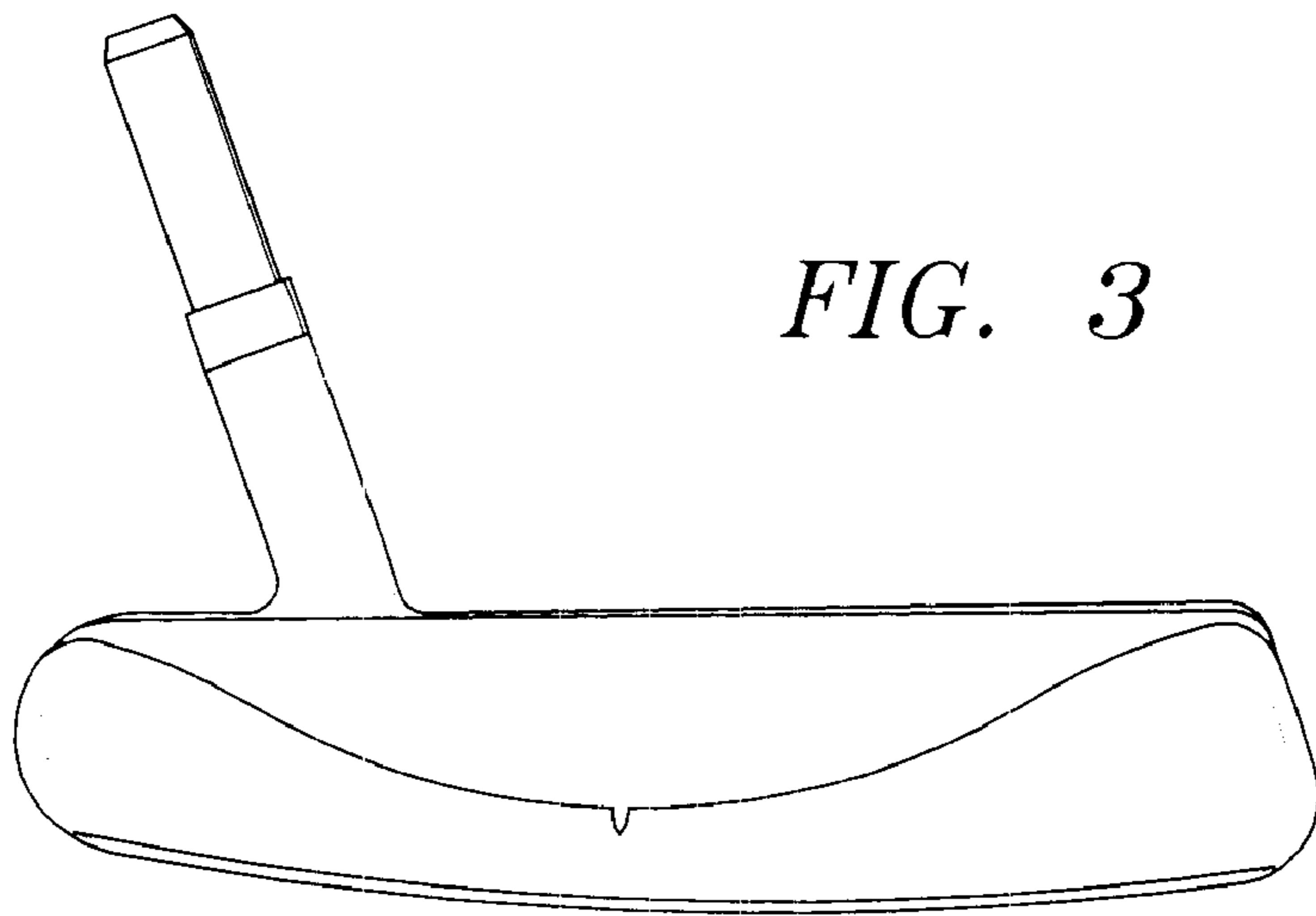


FIG. 2

FIG. 3



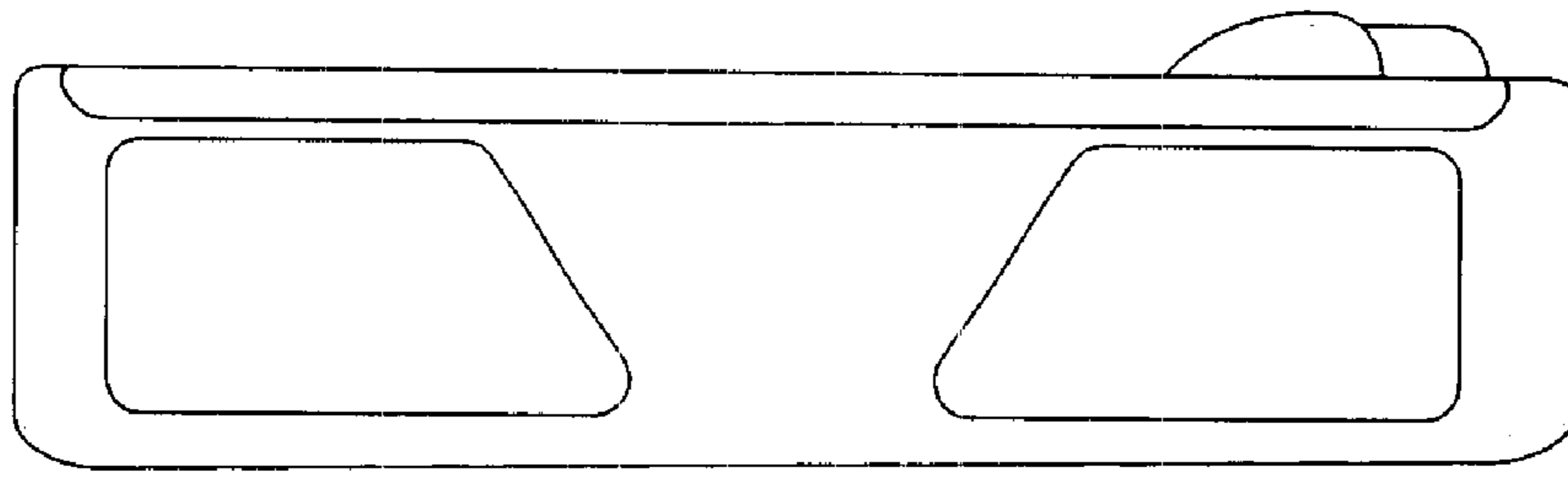


FIG. 4

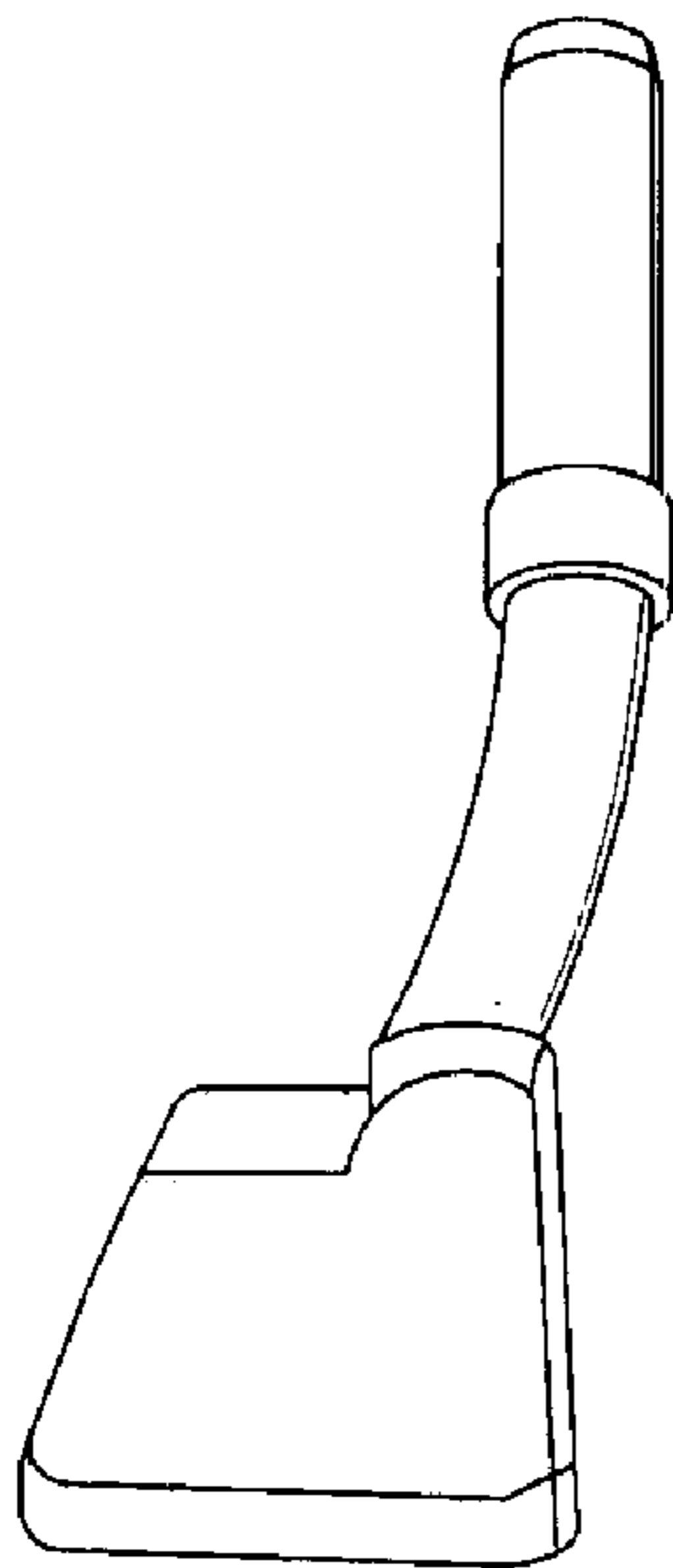


FIG. 5

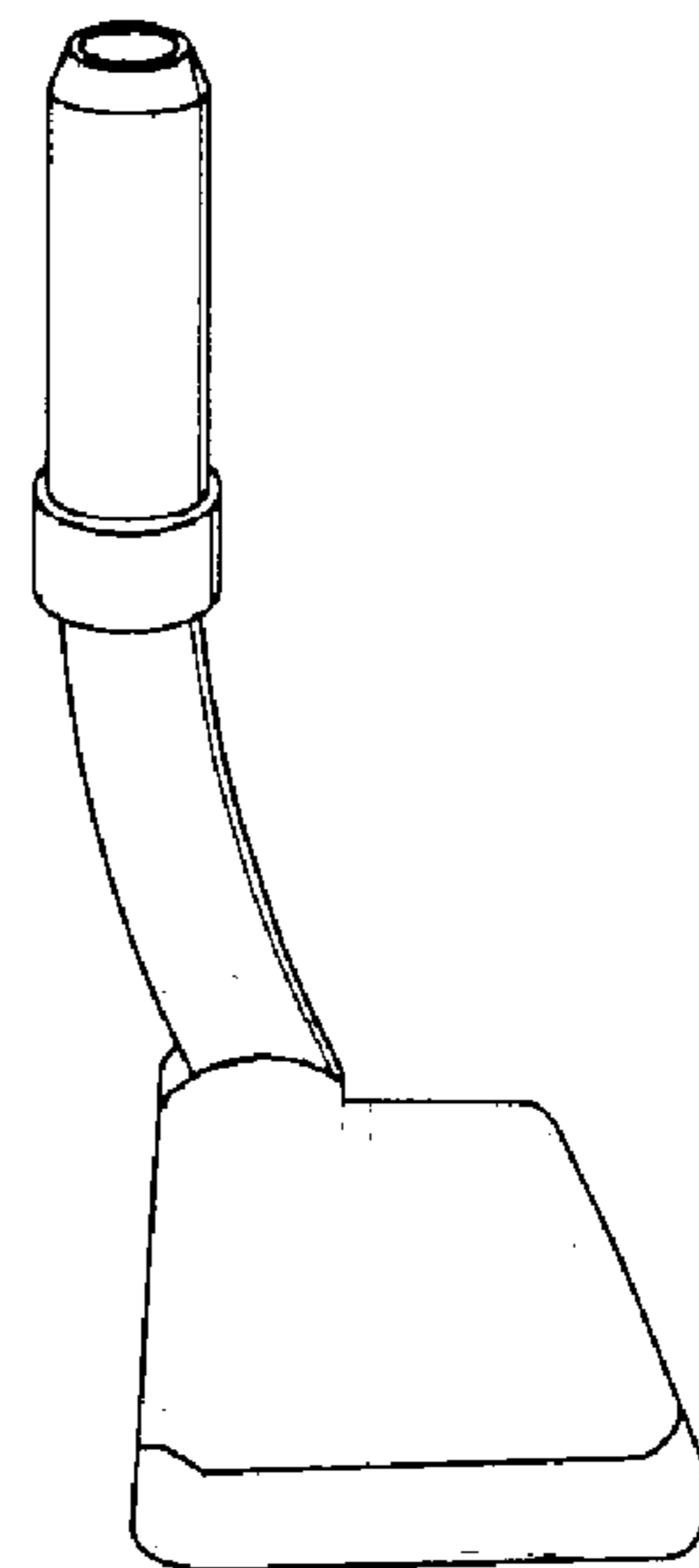


FIG. 6