



US00D486193S

(12) **United States Design Patent**
Keller

(10) **Patent No.:** **US D486,193 S**

(45) **Date of Patent:** **** Feb. 3, 2004**

(54) **ADJUSTABLE POOL BRIDGE**

(76) **Inventor:** **Larry D. Keller**, 6180 Enterprise Dr.,
Unit C, Diamond Springs, CA (US)
95619

(**) **Term:** **14 Years**

(21) **Appl. No.:** **29/174,160**

(22) **Filed:** **Jan. 14, 2003**

(51) **LOC (7) Cl.** **21-01**

(52) **U.S. Cl.** **D21/726; D21/782**

(58) **Field of Search** **D21/782, 726,**
D21/385, 386; 473/40-43

(56) **References Cited**

U.S. PATENT DOCUMENTS

D29,997 S	*	1/1899	Evans	D21/726
968,187 A	*	8/1910	McNtire	473/42
2,817,525 A	*	12/1957	Niemann	473/42
3,576,324 A	*	4/1971	Lareau	473/42
4,120,495 A	*	10/1978	Moughler	473/42
D251,308 S	*	3/1979	Drake	D21/726
D354,106 S	*	1/1995	Thomson	D21/726
5,645,490 A	*	7/1997	Lodrick	473/42
D387,114 S	*	12/1997	Bliss	D21/726

* cited by examiner

Primary Examiner—Prabhakar Deshmukh

(74) *Attorney, Agent, or Firm*—Mark C. Jacobs

(57) **CLAIM**

The ornamental design for adjustable pool bridge, as shown and described.

DESCRIPTION

FIG. 1 is a front perspective view of the new adjustable pool bridge of this design, with the angular adjustment set at the midpoint.

FIG. 2 is a top rear perspective view with the top angular adjustment rotated to the right. The stick shown in dashed lines and used therewith forms no part of this design.

FIG. 3 is a view similar to FIG. 2 with the angle adjustable rotated to the left.

FIG. 4 is a bottom plan view of the device of this design with the angle adjustment set at midpoint.

FIG. 5 is a rear elevational view of the device of this design.

FIG. 6 is a front elevational view of the adjustable bridge of this design.

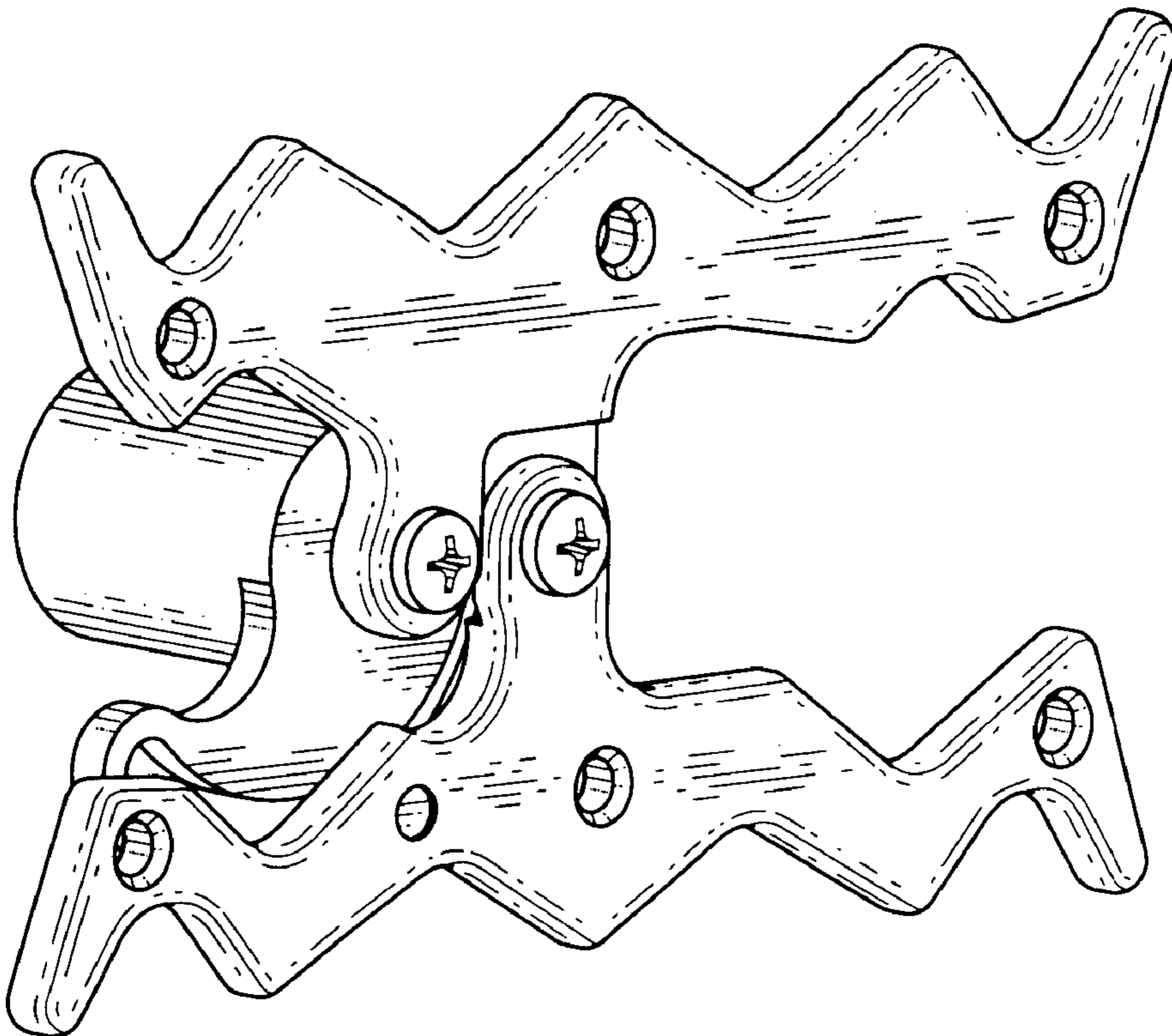
FIG. 7 is a top plan view of the device of this design.

FIG. 8 is a left side view of the device of this design; and,

FIG. 9 is a right side view of the device of this design.

FIGS. 4,7,8 and 9 are all depicted as taken from a point of view wherein the assumption is made that the angle adjuster is in the middle portion location as in FIG. 5.

1 Claim, 2 Drawing Sheets



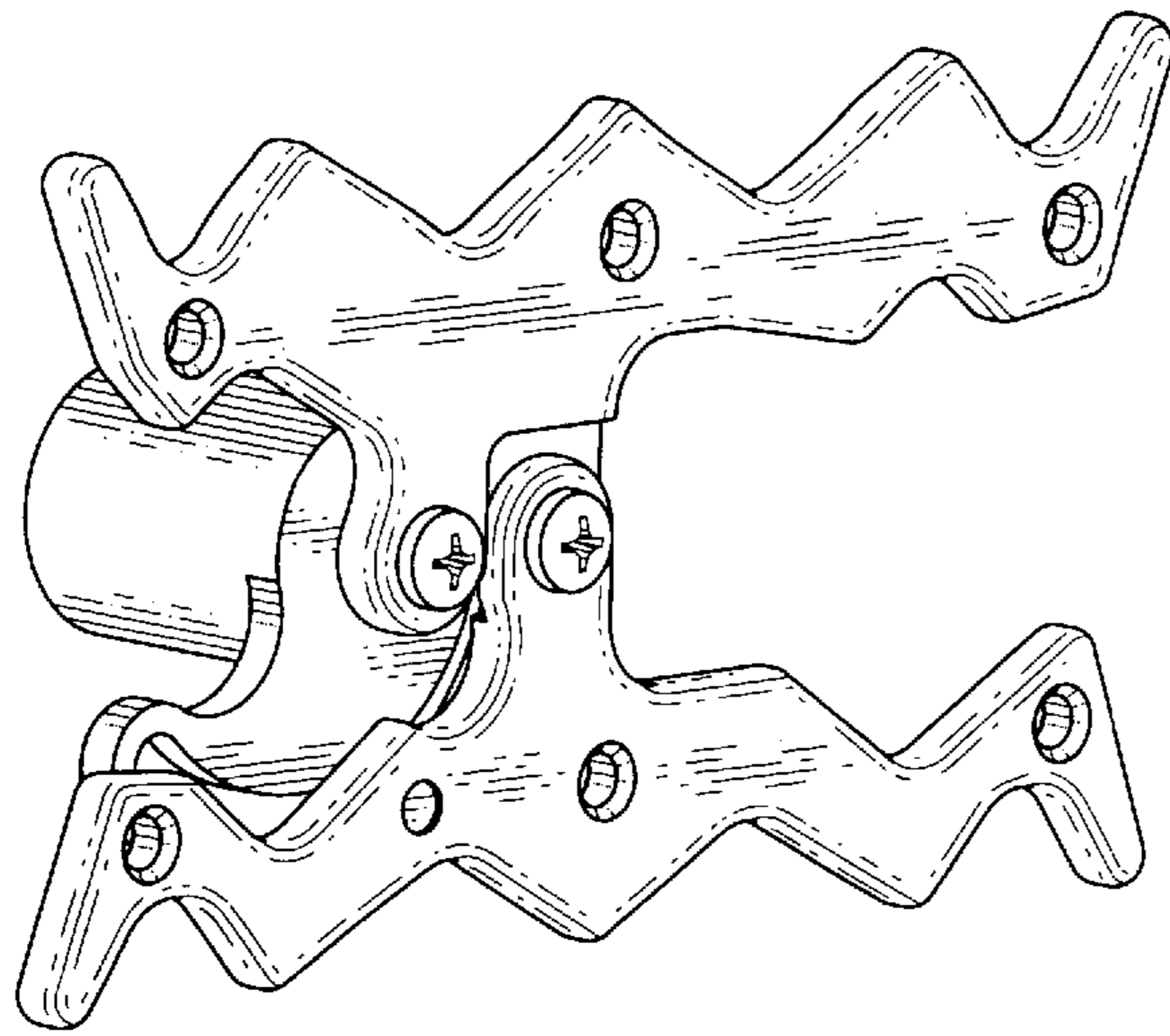


Fig. 1

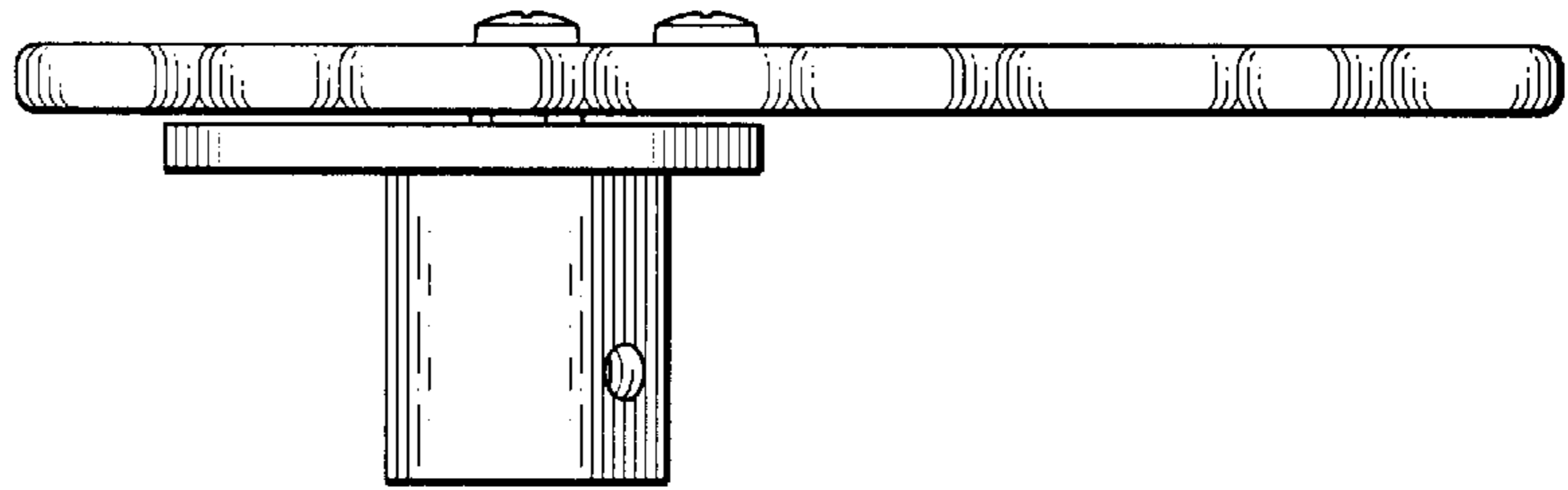


Fig. 4

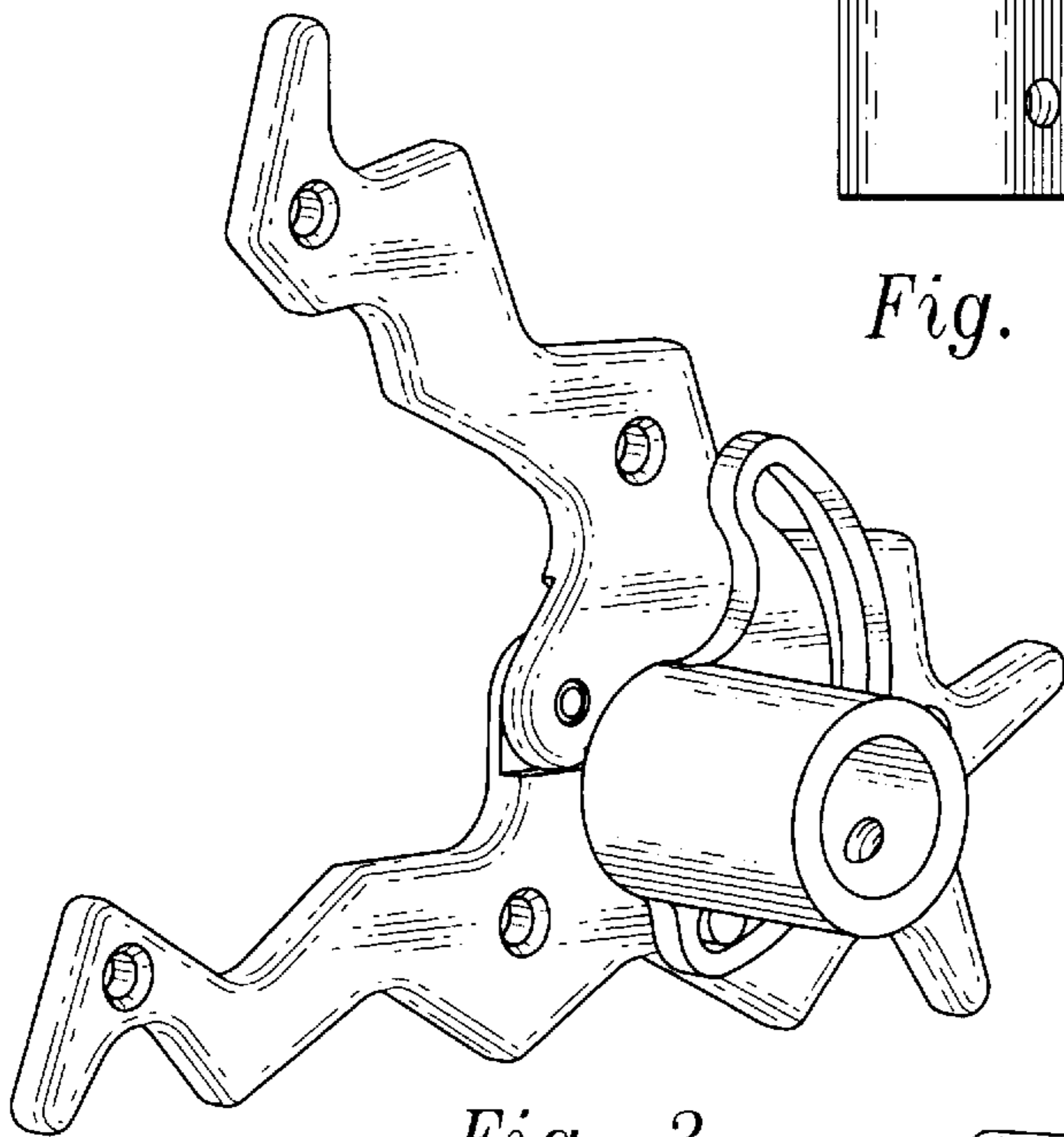


Fig. 3

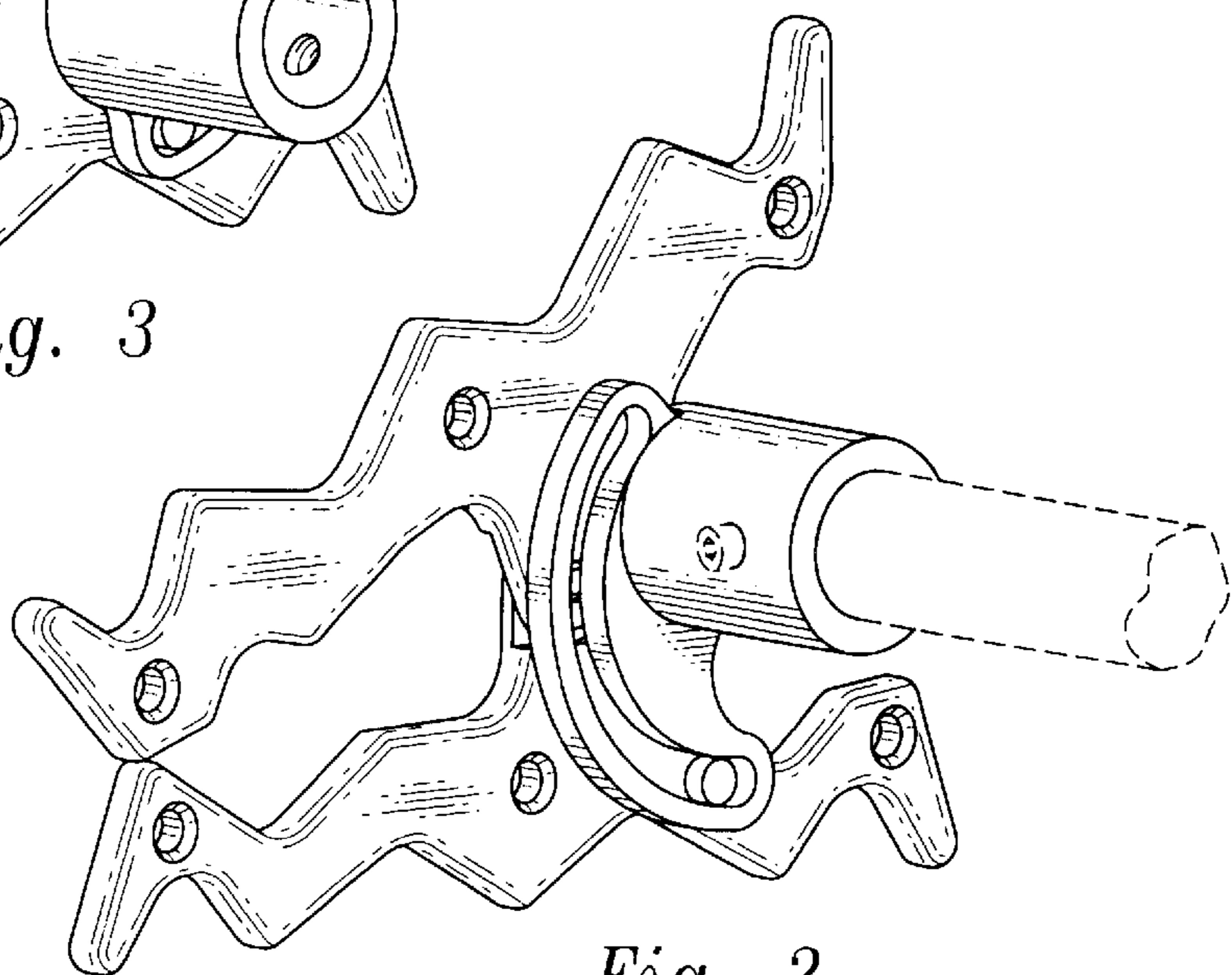


Fig. 2

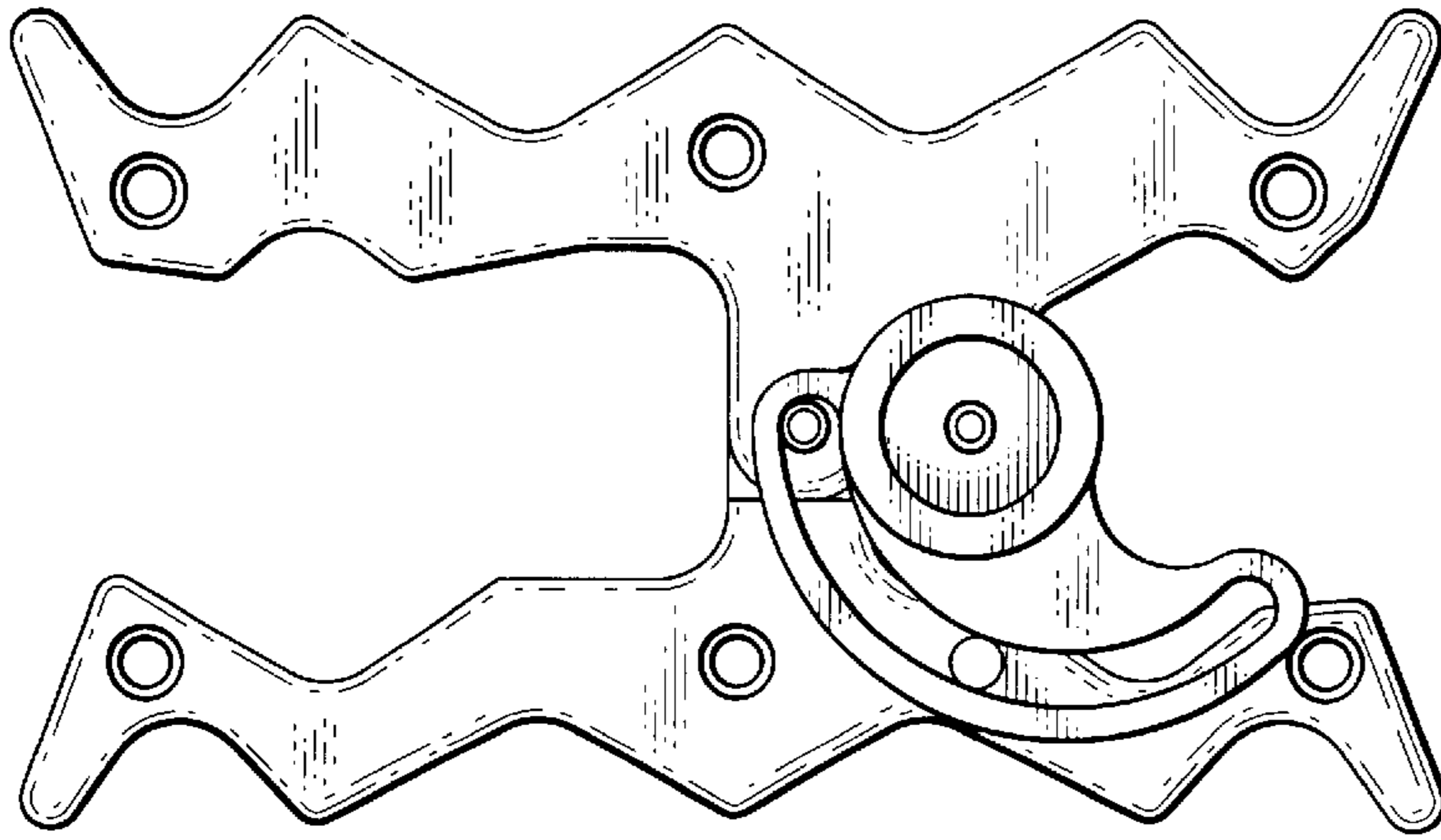


Fig. 5

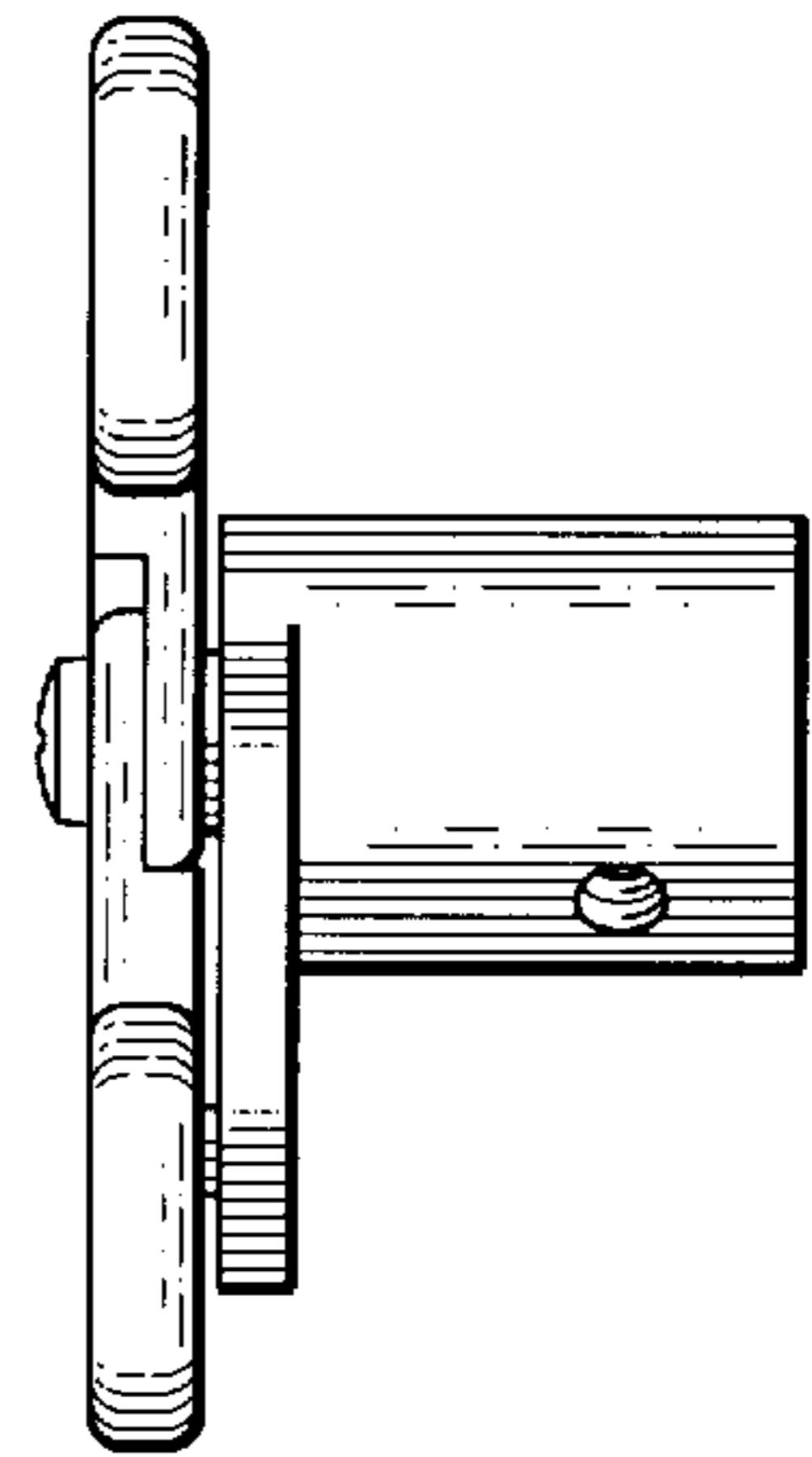


Fig. 8

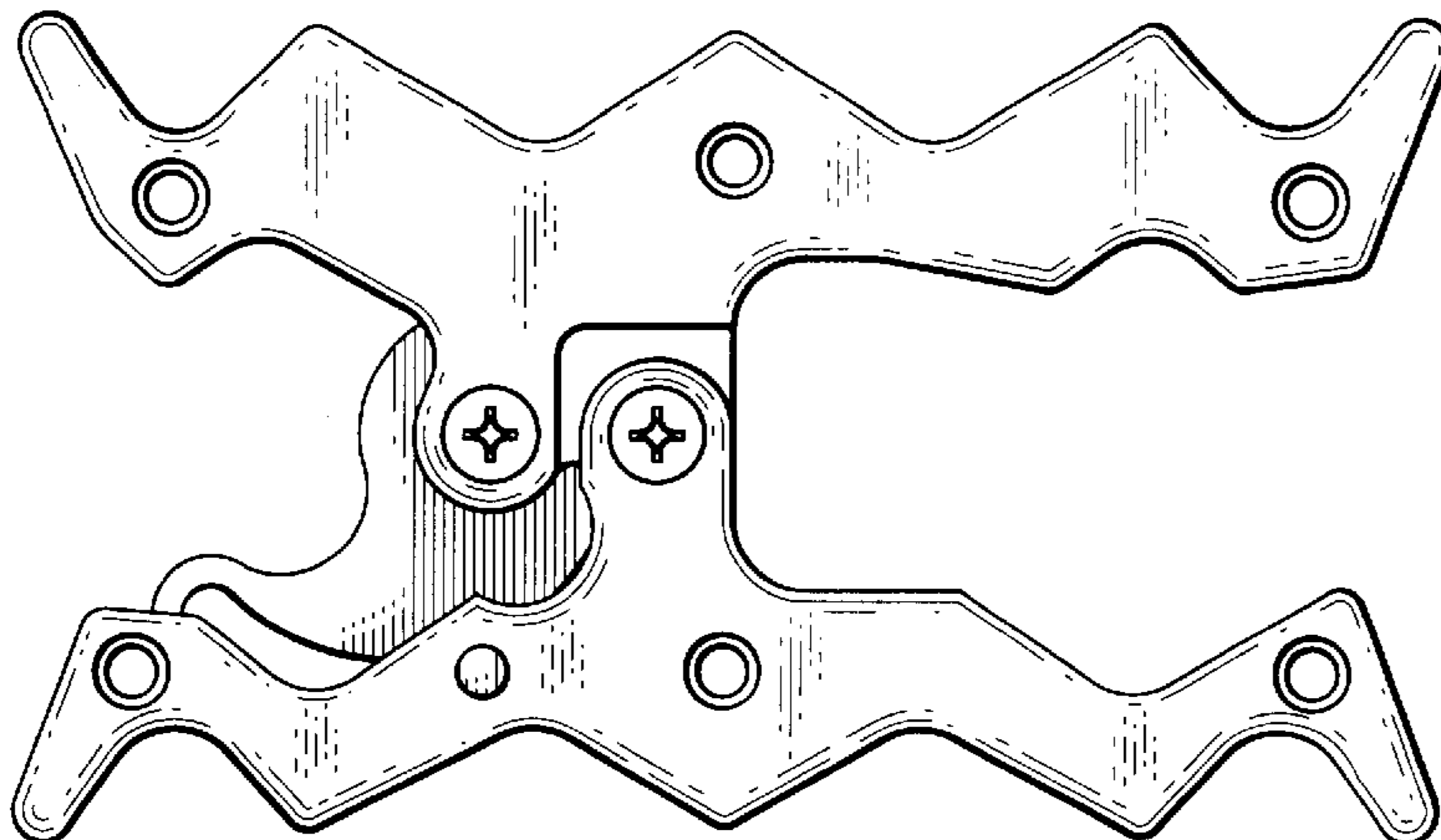


Fig. 6

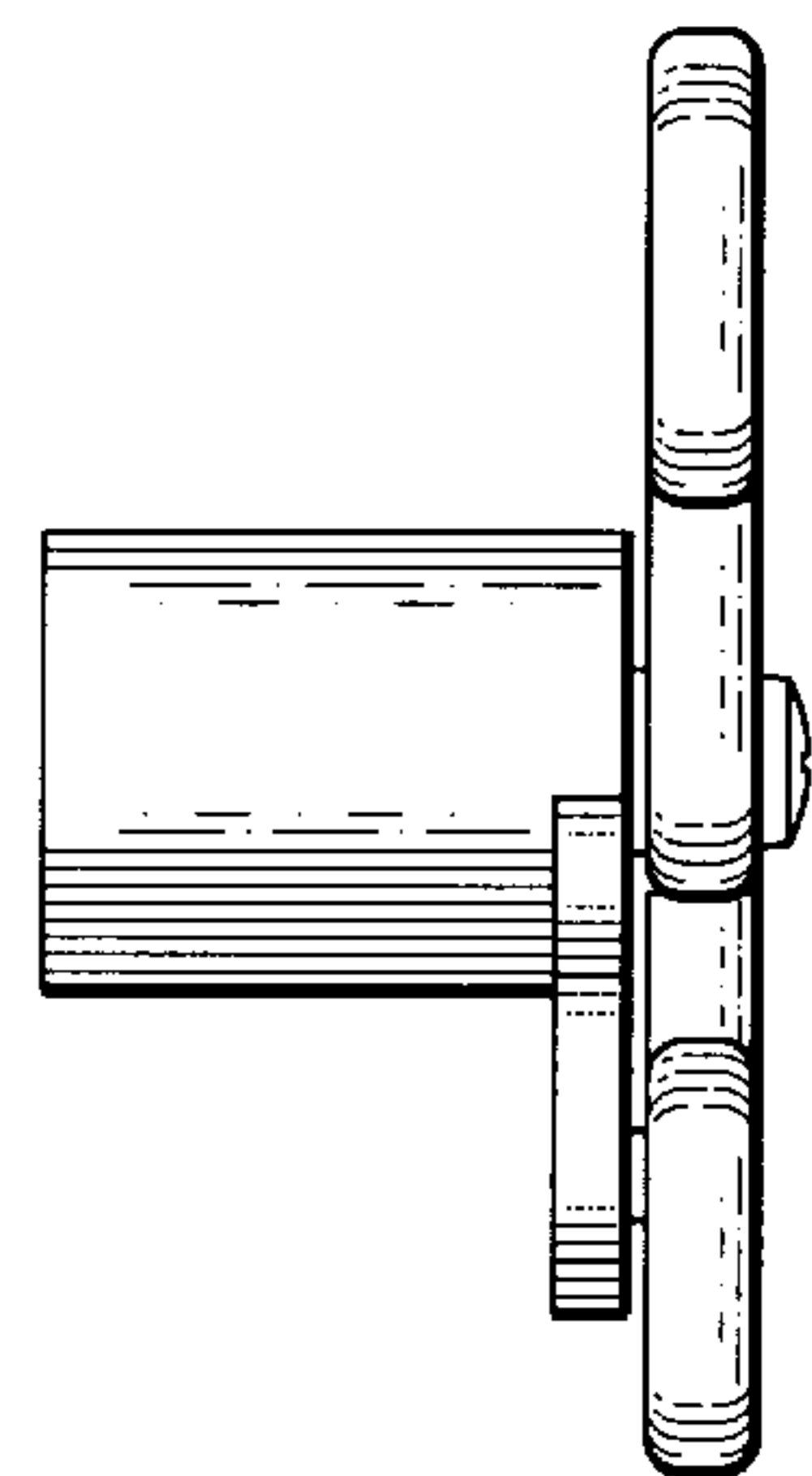


Fig. 9

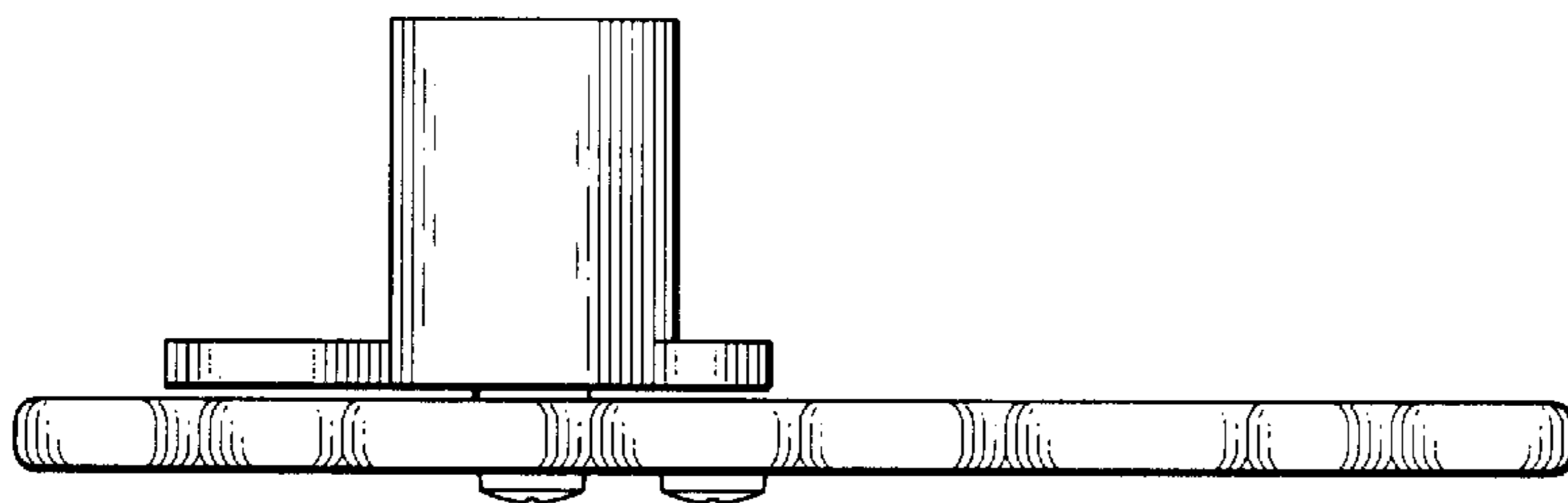


Fig. 7