



US00D486192S

(12) **United States Design Patent**
Pointer, Jr.

(10) **Patent No.:** **US D486,192 S**

(45) **Date of Patent:** **** Feb. 3, 2004**

(54) **COMPRESSIBLE EXERCISE DEVICE**

(76) Inventor: **Odell Pointer, Jr.**, P.O. Box 710225,
Houston, TX (US) 77271

(**) Term: **14 Years**

(21) Appl. No.: **29/176,109**

(22) Filed: **Feb. 18, 2003**

(51) **LOC (7) Cl.** **21-02**

(52) **U.S. Cl.** **D21/692**

(58) **Field of Search** D21/662, 684,
D21/692; 482/121, 122, 123, 124, 128;
D9/429

(56) **References Cited**

U.S. PATENT DOCUMENTS

4,211,404	A	*	7/1980	Blowsky et al.	482/128
D262,808	S	*	1/1982	Kyo	D21/692
4,911,437	A	*	3/1990	Schulkin	482/124
5,263,908	A	*	11/1993	Chen	482/44
5,273,507	A	*	12/1993	Sivula	482/126

* cited by examiner

Primary Examiner—Philip S. Hyder

(74) *Attorney, Agent, or Firm*—Kenneth A. Roddy

(57) **CLAIM**

The ornamental design for a compressible exercise device,
as shown and described.

DESCRIPTION

FIG. 1 is a perspective view of a first embodiment of the
compressible exercise device showing my new design from
the top and one side, the bottom and opposite side being a
mirror image of that shown;

FIG. 2 is a side elevational view thereof;

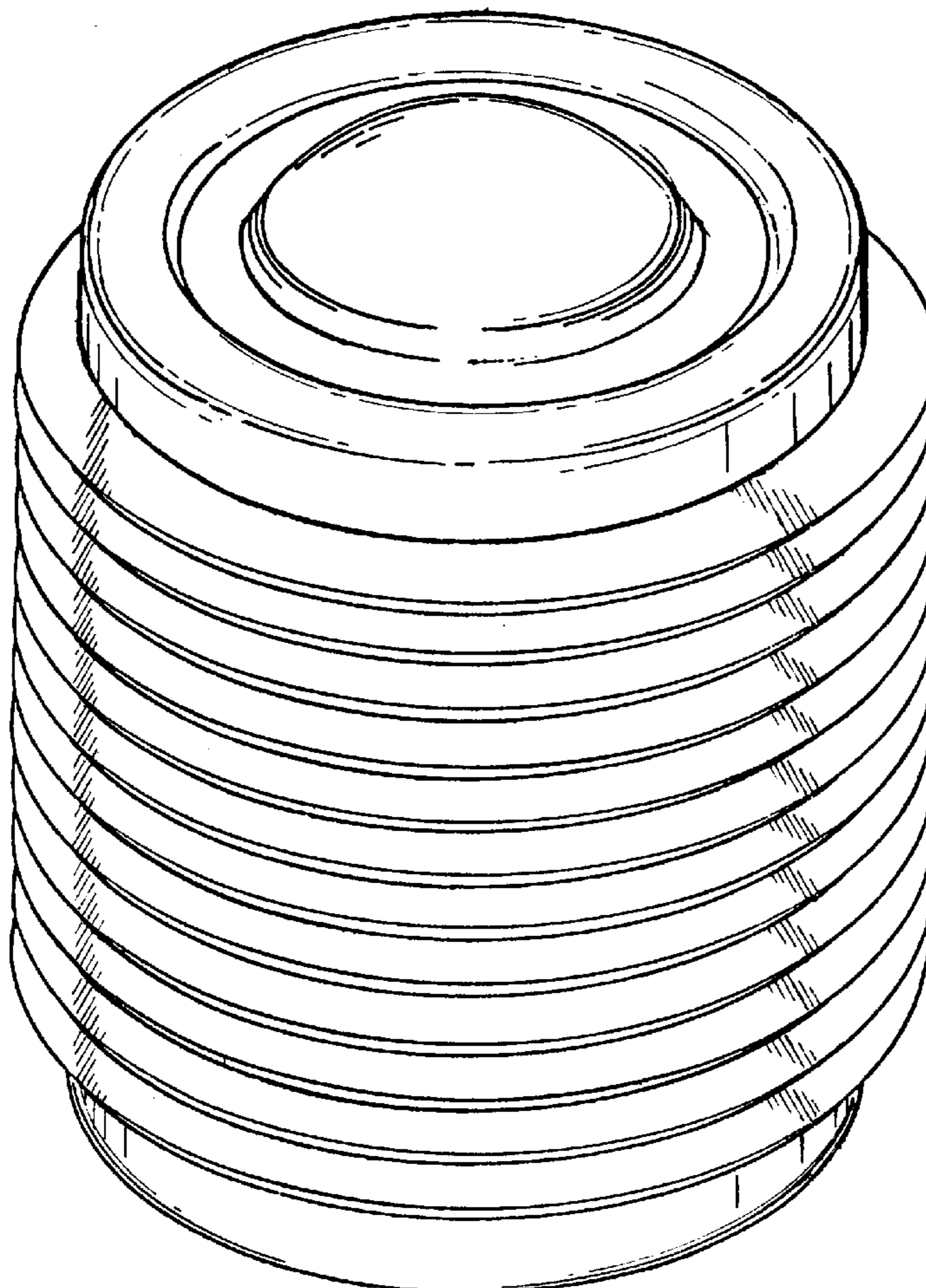
FIG. 3 is a top plan view thereof, the bottom plan view being
a mirror image of that shown;

FIG. 4 is a perspective view of a second embodiment of the
compressible exercise device showing my new design from
the top and one side, the bottom and opposite side being a
mirror image of that shown;

FIG. 5 is a side elevation view thereof; and,

FIG. 6 is a top plan view thereof, the bottom plan view being
a mirror image of that shown.

1 Claim, 4 Drawing Sheets



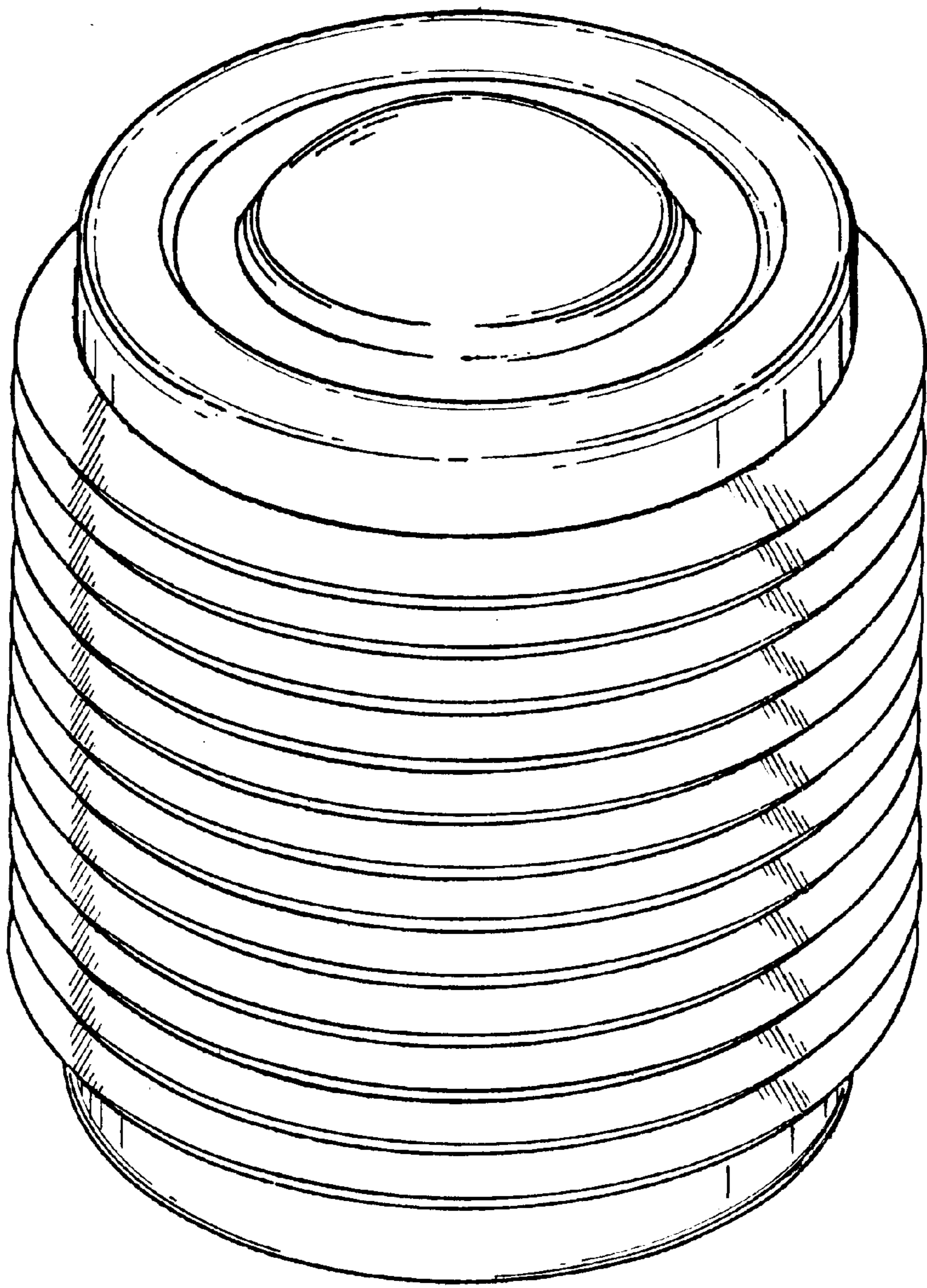


Fig. 1

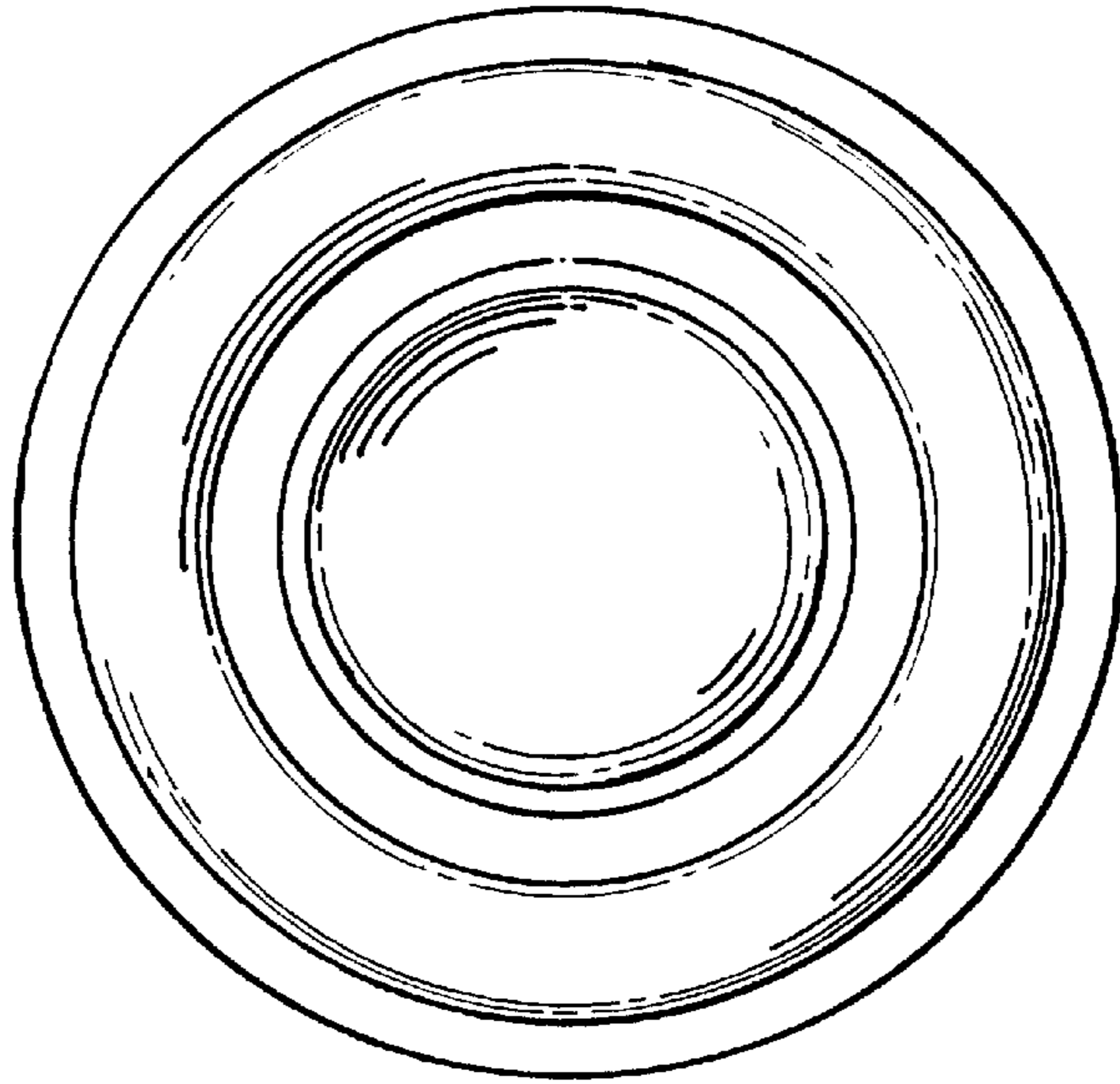


Fig. 3

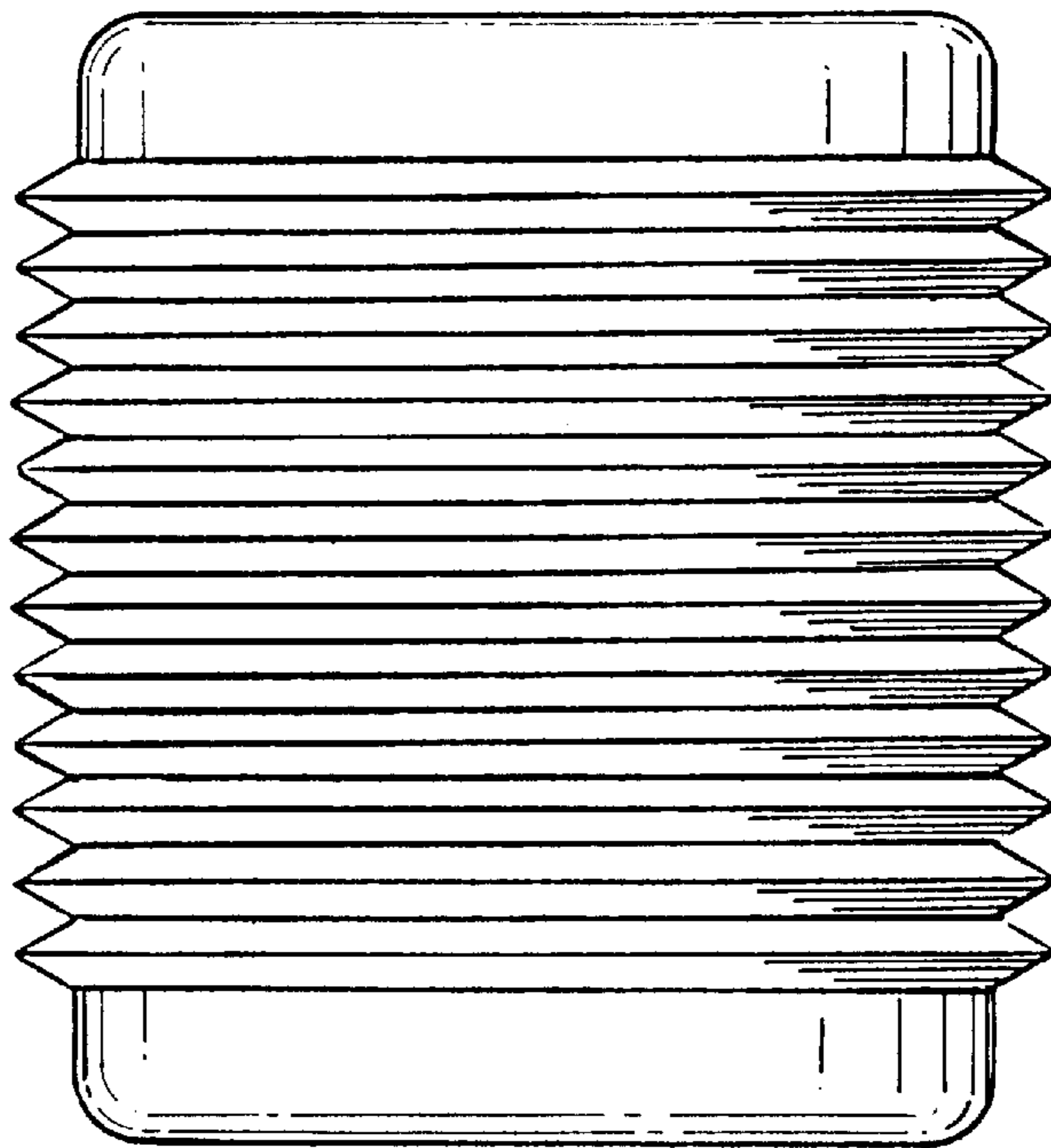


Fig. 2

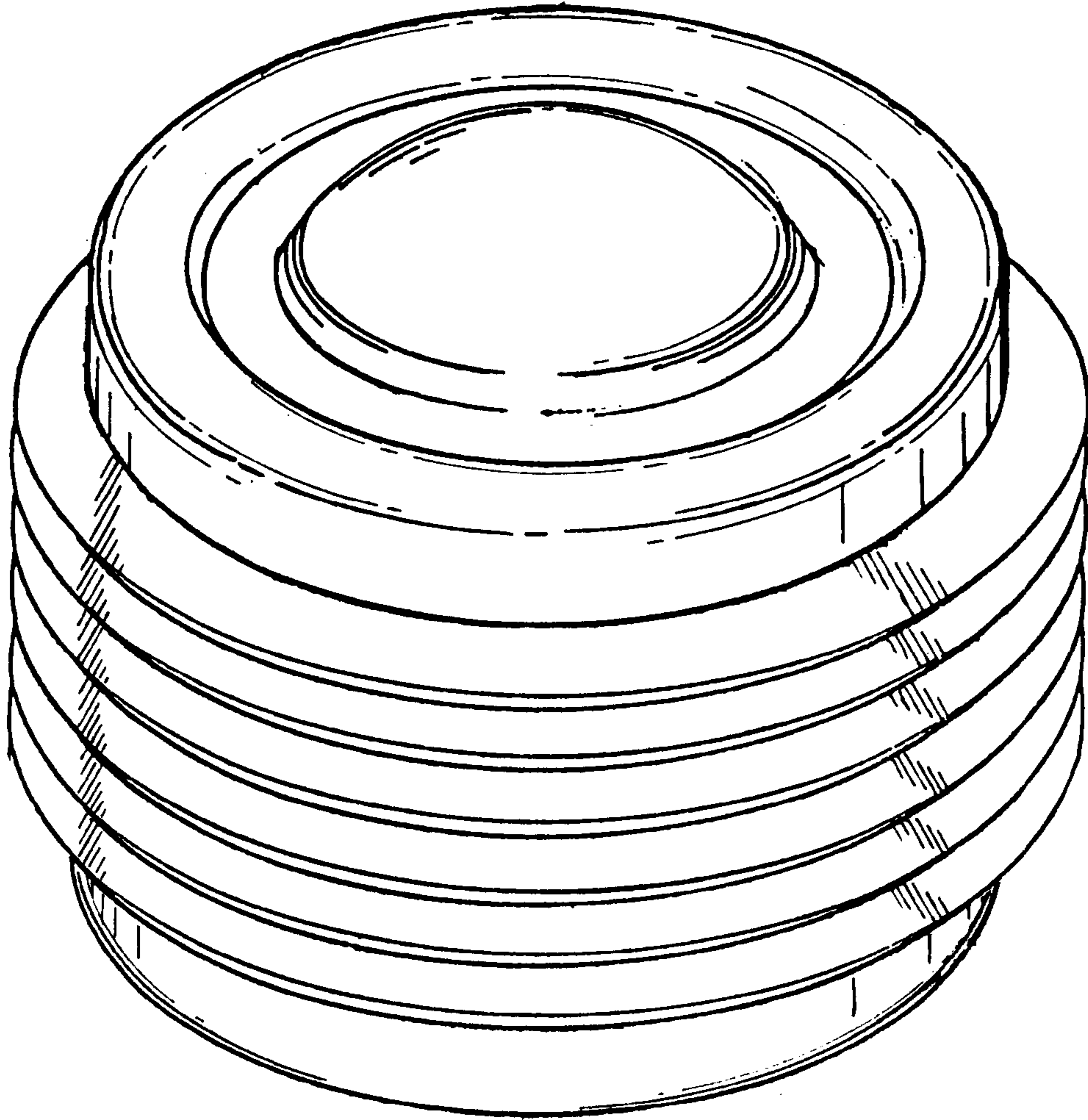


Fig. 4

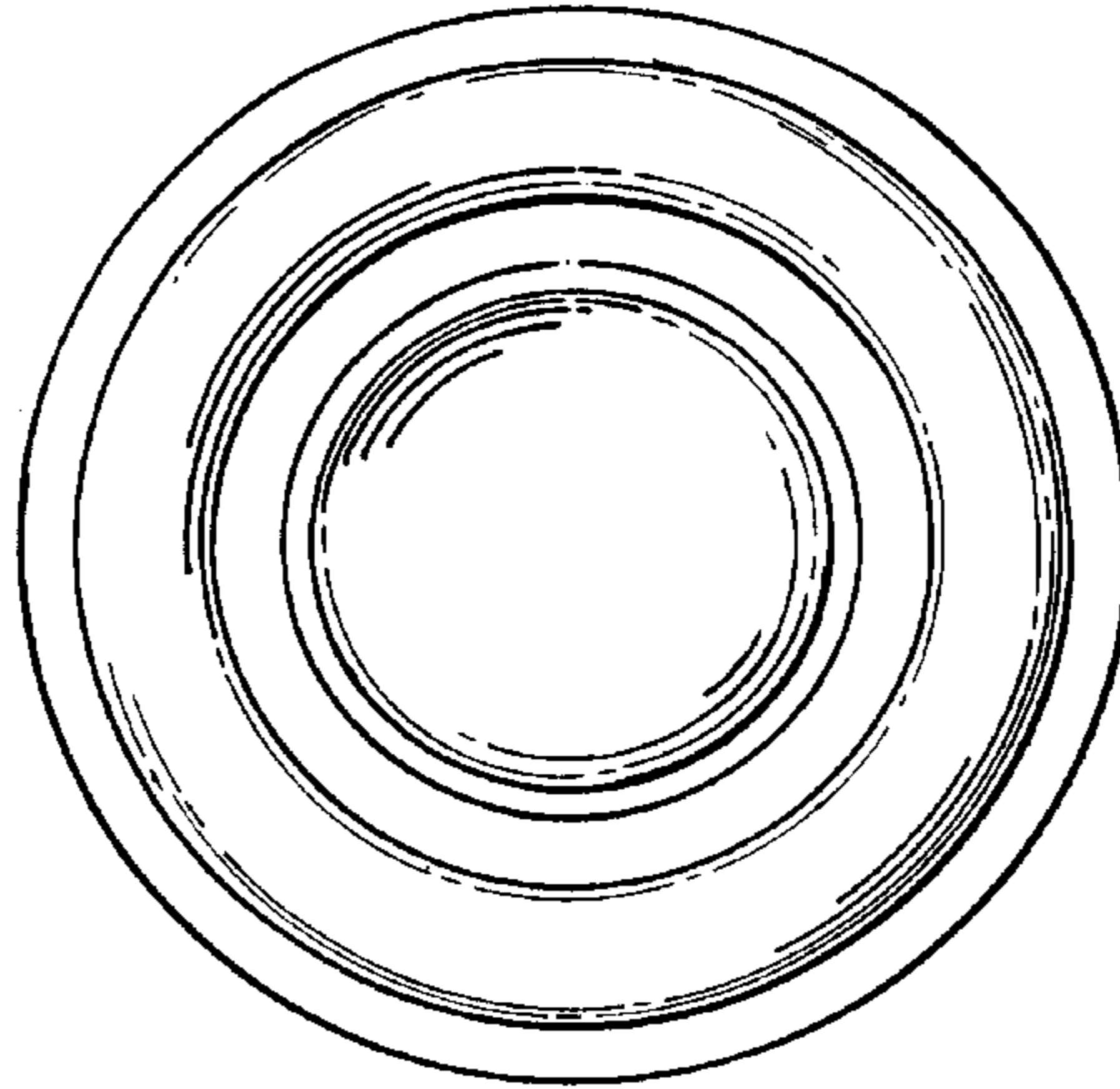


Fig. 6

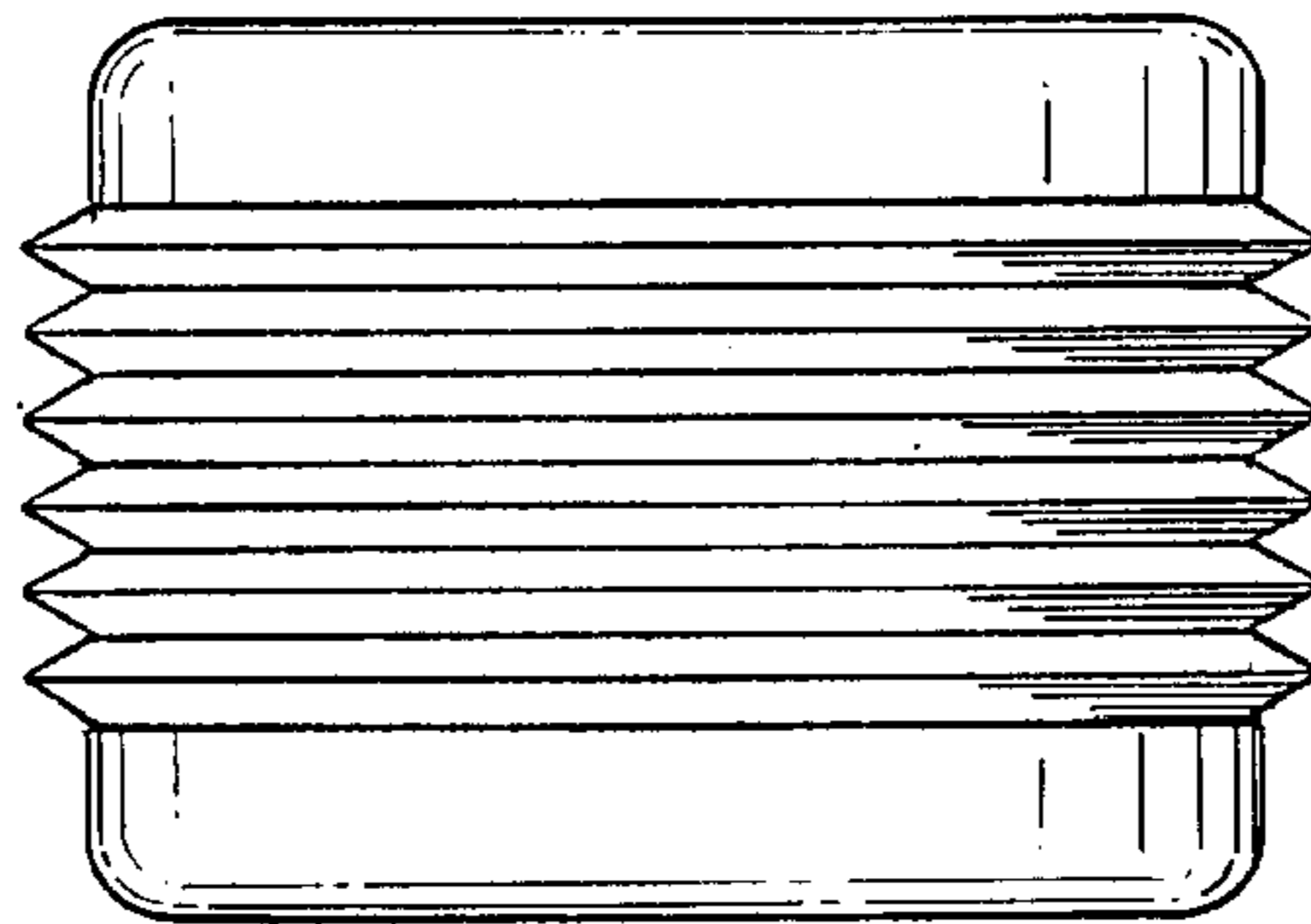


Fig. 5