



US00D486191S

(12) **United States Design Patent**
Robinson

(10) **Patent No.:** **US D486,191 S**

(45) **Date of Patent:** **** Feb. 3, 2004**

(54) **TOY FIGURE**

D298,766 S * 11/1988 Tanno et al. D21/578
D304,962 S * 12/1989 Watanabe D21/578

(76) Inventor: **Dyke N. Robinson**, 3710 Havenmoor Pl., Katy, TX (US) 77449

OTHER PUBLICATIONS

(**) Term: **14 Years**

Hong Kong Toys, 1987, p. 98, Robots.*
Hong Kong Toys, 1987, p. 56, Robots.*
Chiasso Catalog, Summer, 2001, p. 30, "Intellibot" robot.*
FAO Schwarz, Holiday, 2001, p. 65, "The Bot-ster" robot.*

(21) Appl. No.: **29/171,232**

(22) Filed: **Nov. 18, 2002**

* cited by examiner

(51) **LOC (7) Cl.** **21-01**

Primary Examiner—Lucy Lieberman

(52) **U.S. Cl.** **D21/578**

(74) *Attorney, Agent, or Firm*—Russell J. Egan

(58) **Field of Search** D21/578, 579–584,
D21/593, 594, 621, 622, 623, 627, 649;
446/268, 269–274, 289–292, 297–301,
279, 280; D15/199

(57) **CLAIM**

I claim the ornamental design for a toy figure, as shown and described.

(56) **References Cited**

DESCRIPTION

U.S. PATENT DOCUMENTS

D262,474 S * 12/1981 Doornick et al. D21/578
D290,032 S * 5/1987 Horiuchi D21/578
D290,146 S * 6/1987 Horiuchi D21/578
4,673,371 A * 6/1987 Furukawa 446/175
D294,841 S * 3/1988 Beley D21/578
4,752,272 A * 6/1988 Karasawa 446/289

FIG. 1 is a front view;
FIG. 2 is a rear view;
FIG. 3 is a right side view;
FIG. 4 is a left side view; and,
FIG. 5 is a top view.

1 Claim, 4 Drawing Sheets

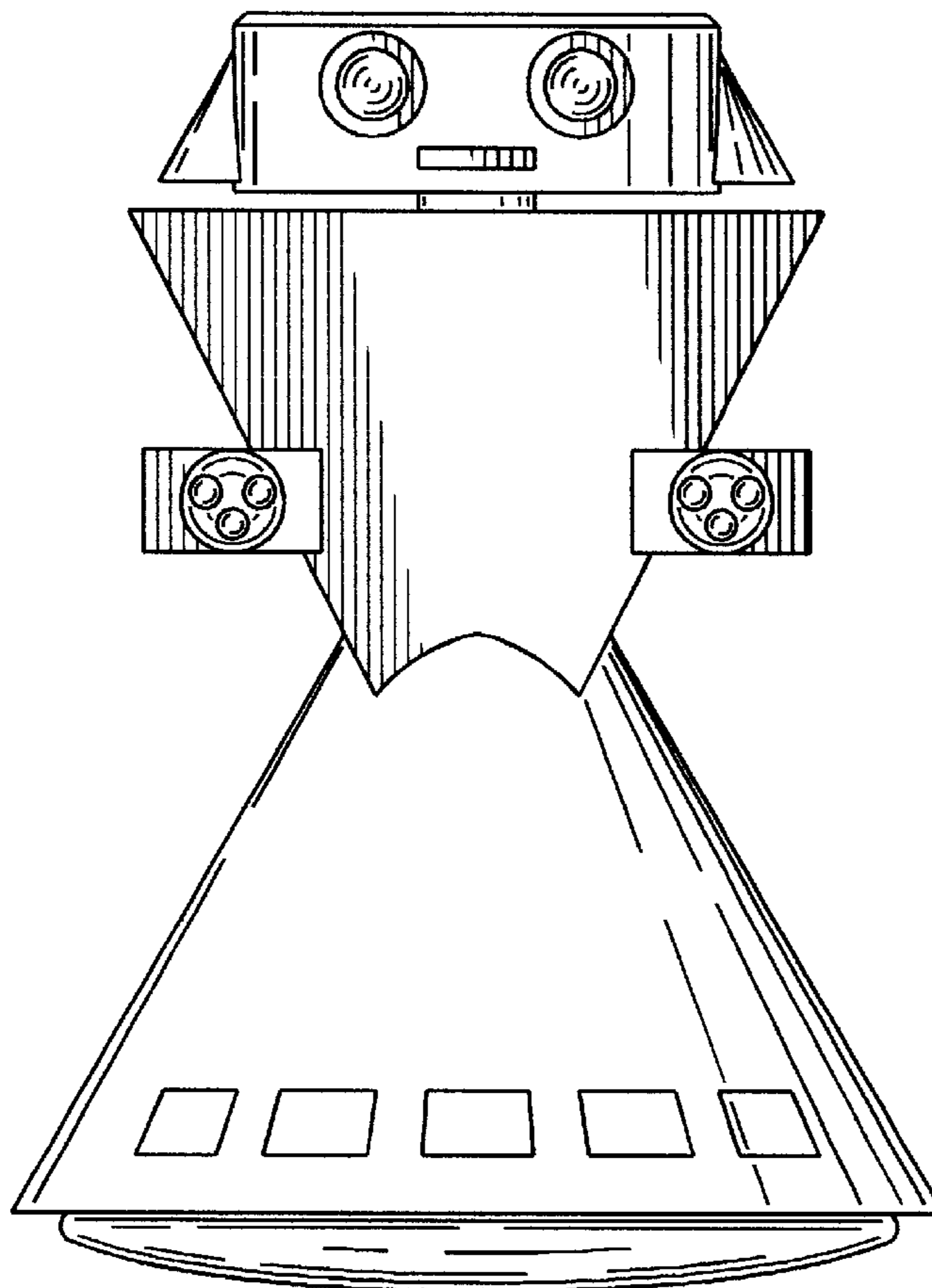


FIG. 1

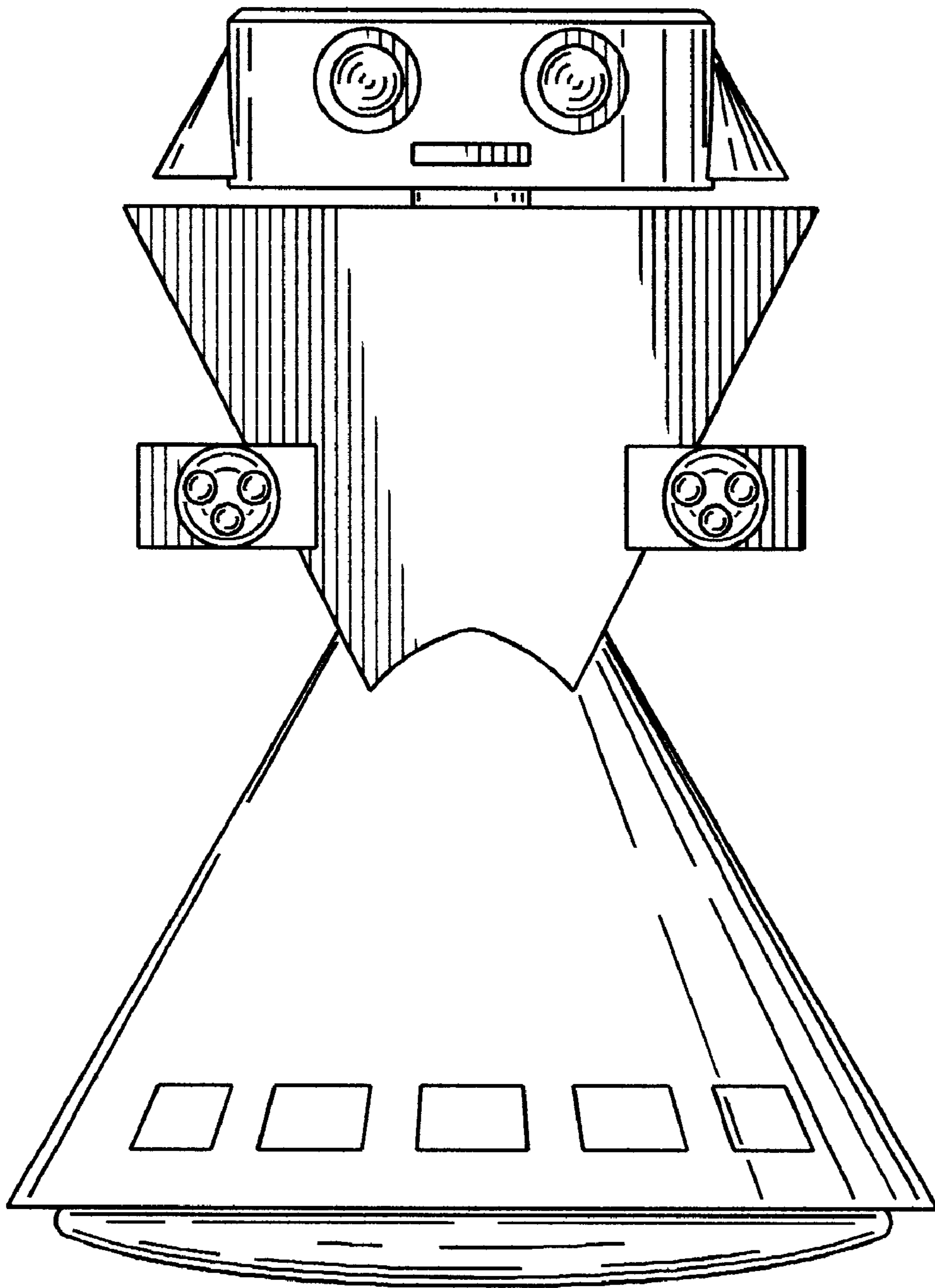


FIG. 2

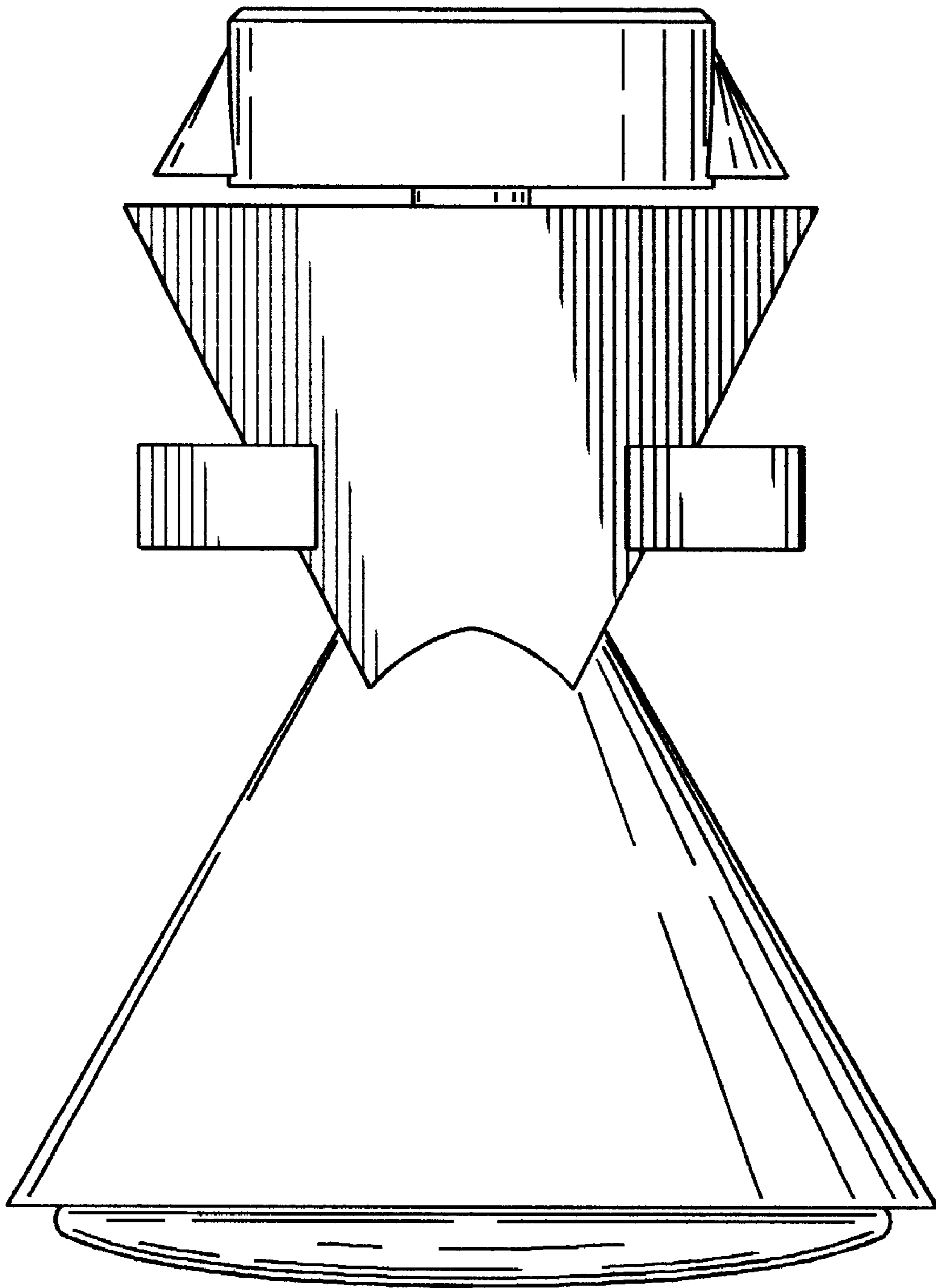


FIG. 3

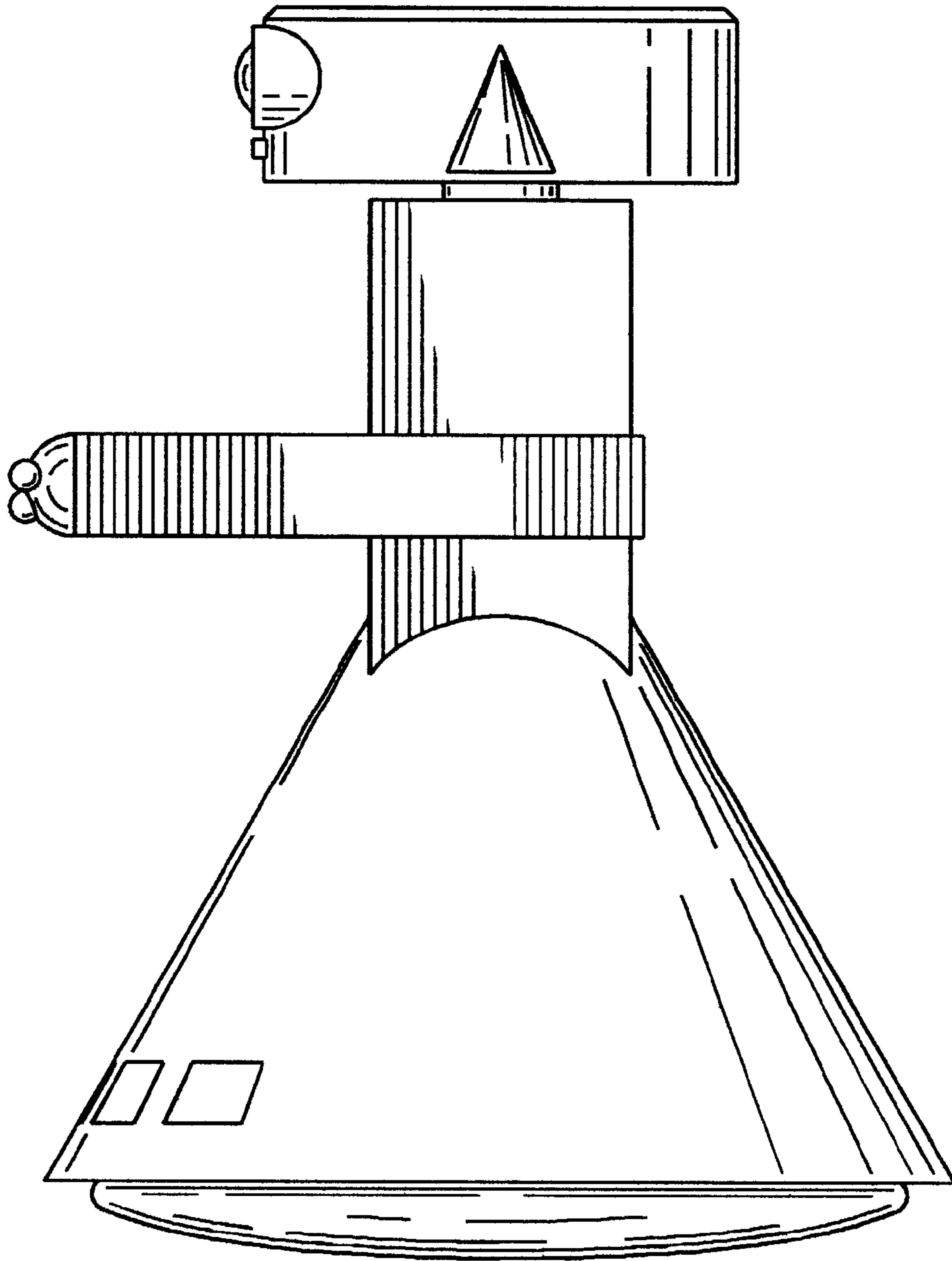


FIG. 4

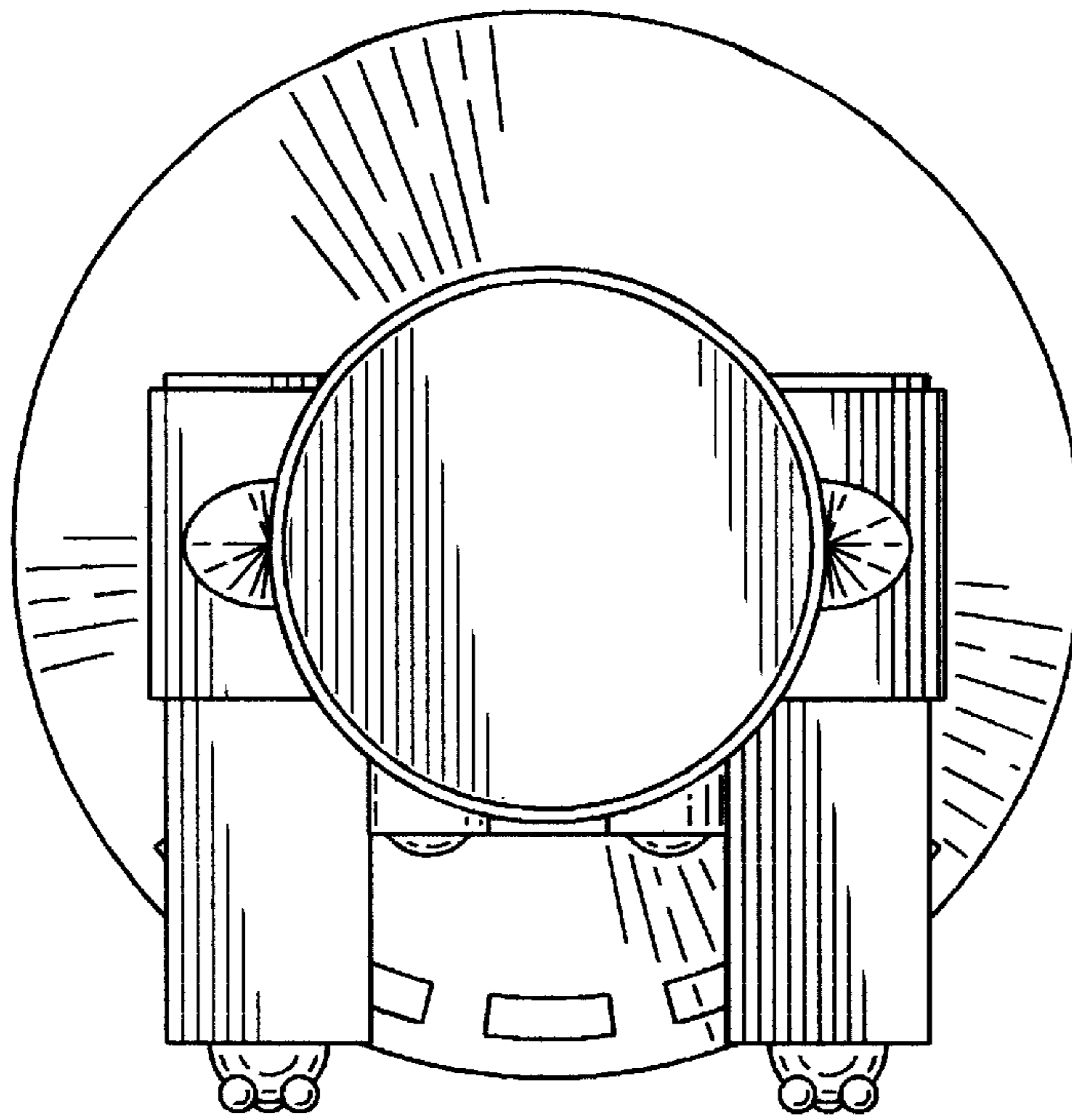


FIG. 5

