



US00D486187S

(12) **United States Design Patent**
Badertscher

(10) **Patent No.:** **US D486,187 S**

(45) **Date of Patent:** **** Feb. 3, 2004**

(54) **BOARD FOR DISPLAYING COOKIE CUTTERS**

D452,713 S * 1/2002 Badertscher D20/42
D463,493 S * 9/2002 Beno D20/42
D477,370 S * 7/2003 Badertscher D20/42

(76) Inventor: **Linda S. Badertscher**, 5091 C. R. 52
P.O. Box 317, Nashville, OH (US)
44661

* cited by examiner

(**) Term: **14 Years**

Primary Examiner—Marcus A. Jackson
(74) *Attorney, Agent, or Firm*—Sand & Sebolt

(21) Appl. No.: **29/180,670**

(57) **CLAIM**

(22) Filed: **Apr. 28, 2003**

The ornamental design for the board for displaying cookie cutters, as shown and described.

Related U.S. Application Data

DESCRIPTION

(60) Division of application No. 29/149,163, filed on Oct. 2, 2001, which is a continuation-in-part of application No. 29/127,256, filed on Aug. 2, 2000, now Pat. No. Des. 452,713.

FIG. 1 is a perspective view of a board for displaying cookie cutters showing my new design;
FIG. 2 is a front elevational view of the board for displaying cookie cutters shown in FIG. 1;
FIG. 3 is a side view of FIG. 2;
FIG. 4 is a top view of FIG. 2;
FIG. 5 is a bottom view of FIG. 2; and,
FIG. 6 is a rear elevational view of FIG. 2.

(51) **LOC (7) Cl.** **20-02**
(52) **U.S. Cl.** **D20/42**
(58) **Field of Search** D20/10, 40, 42,
D20/99; D19/32, 33; 40/107, 108, 124.2,
124.4, 158.1; 211/87.1, 94

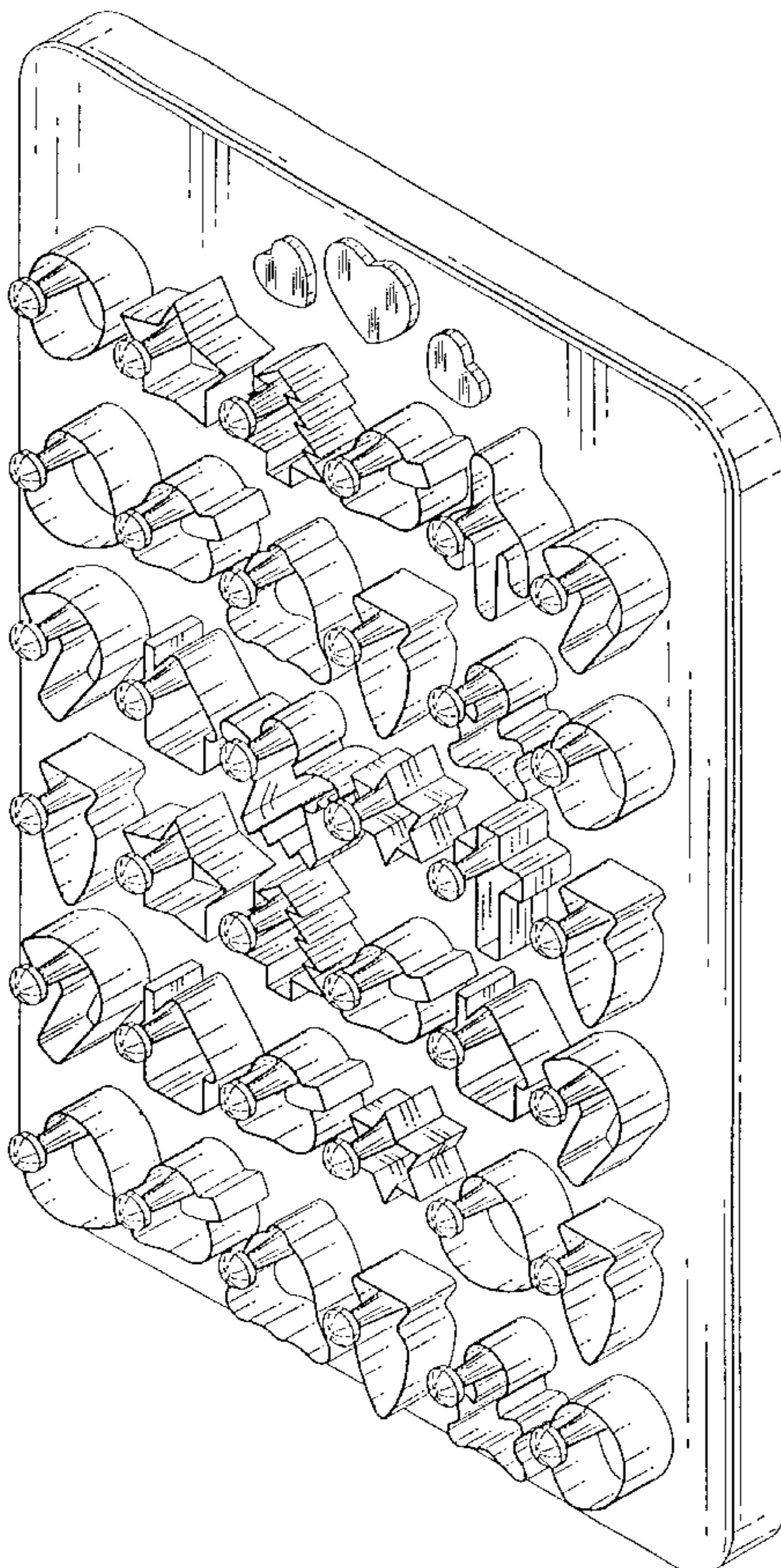
The broken lines showing cookie cutters are for illustrative purposes only and form no part of the claimed design.

(56) **References Cited**

U.S. PATENT DOCUMENTS

D393,562 S 4/1998 Connly

1 Claim, 5 Drawing Sheets



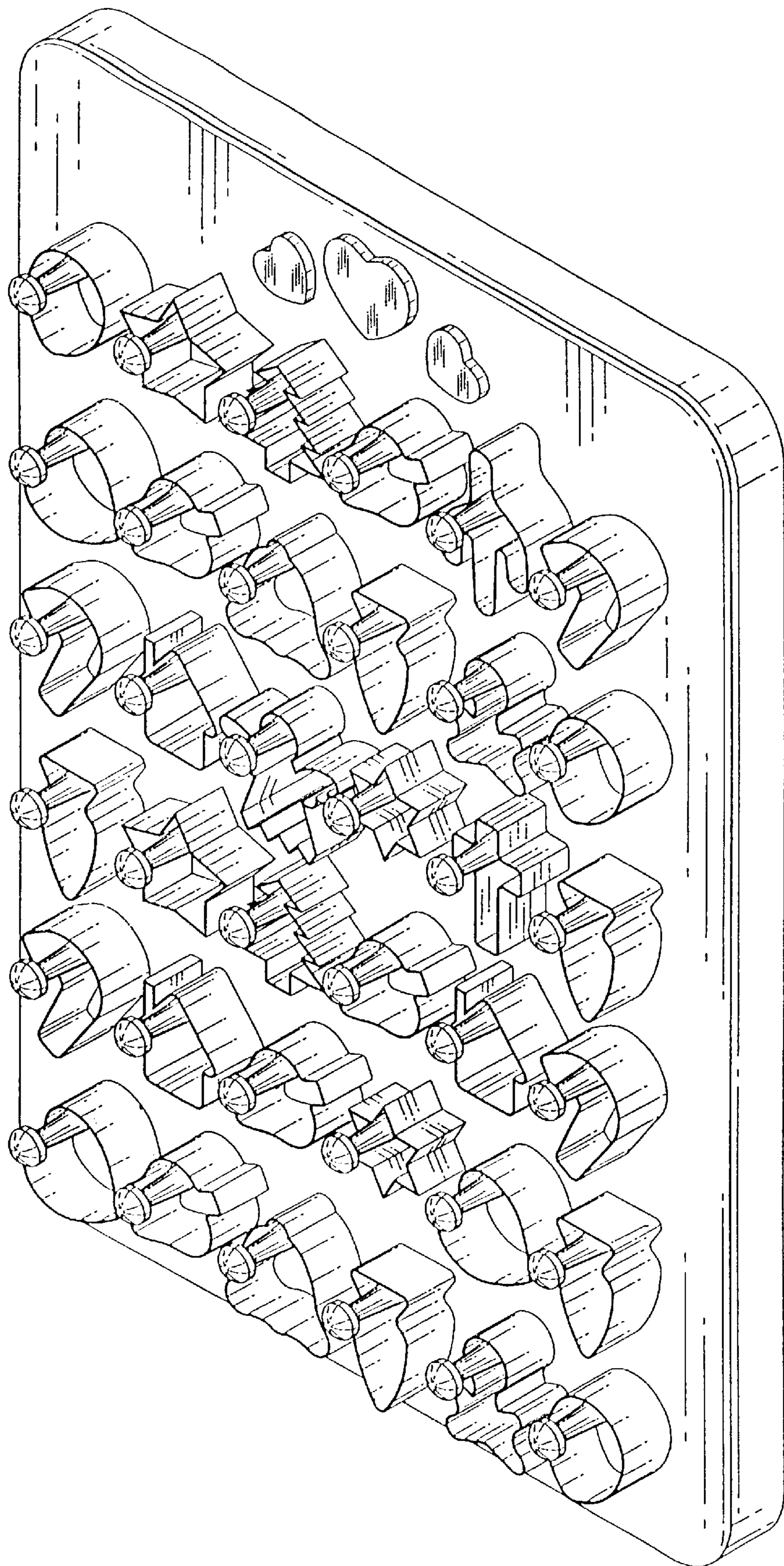


FIG. 1

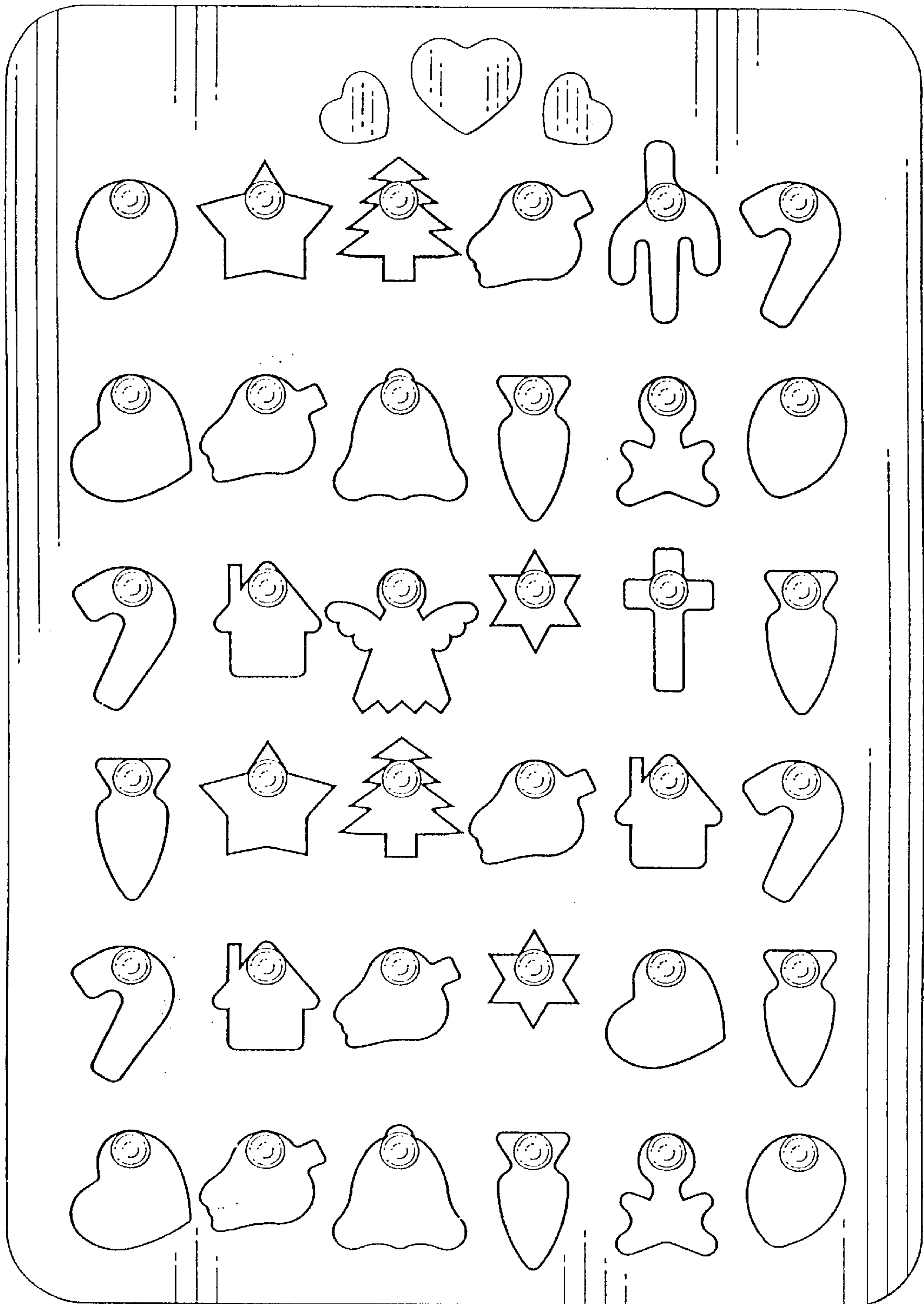


FIG. 2

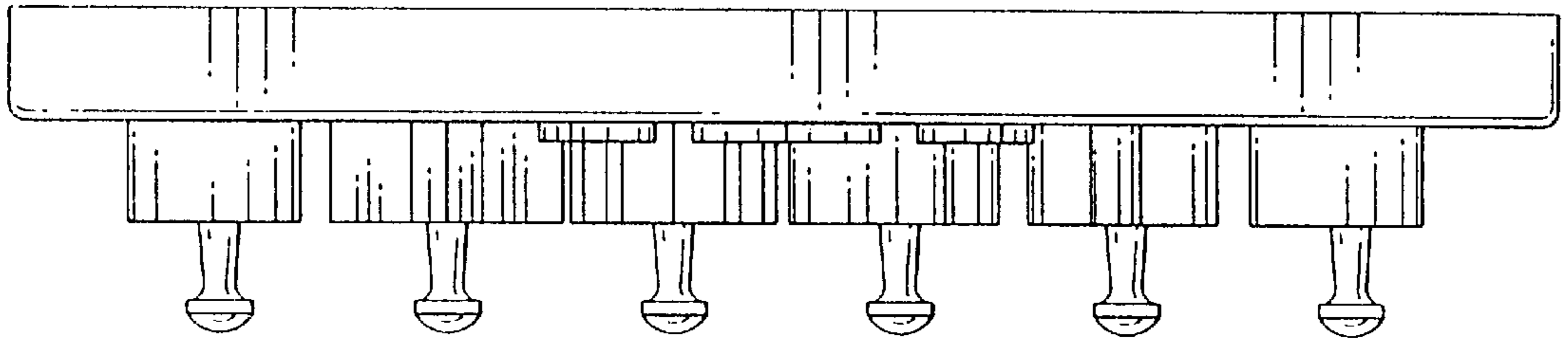


FIG. 3

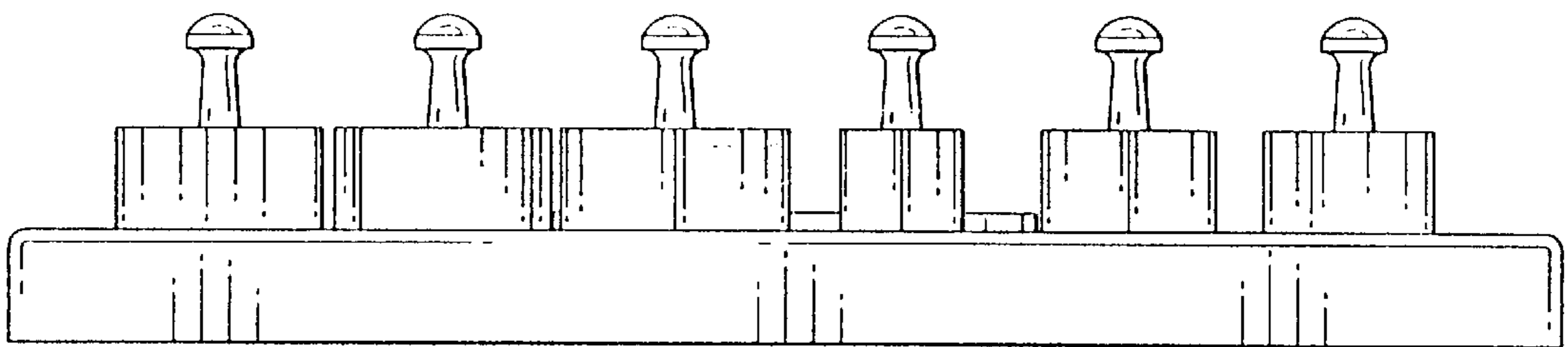


FIG. 4

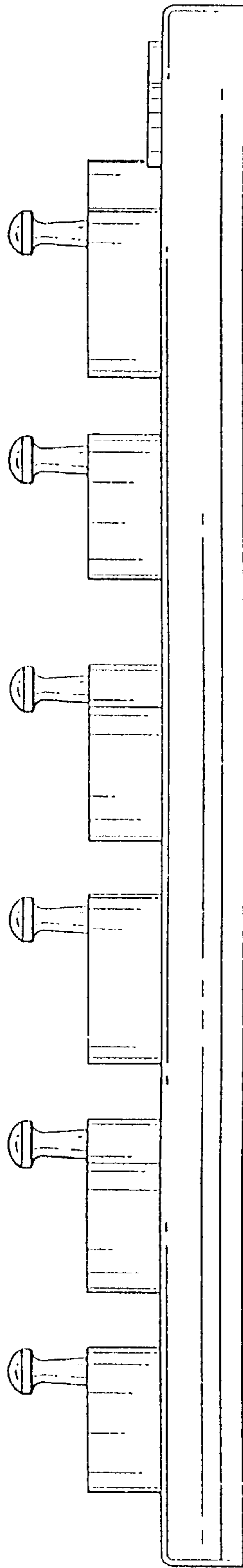


FIG. 5

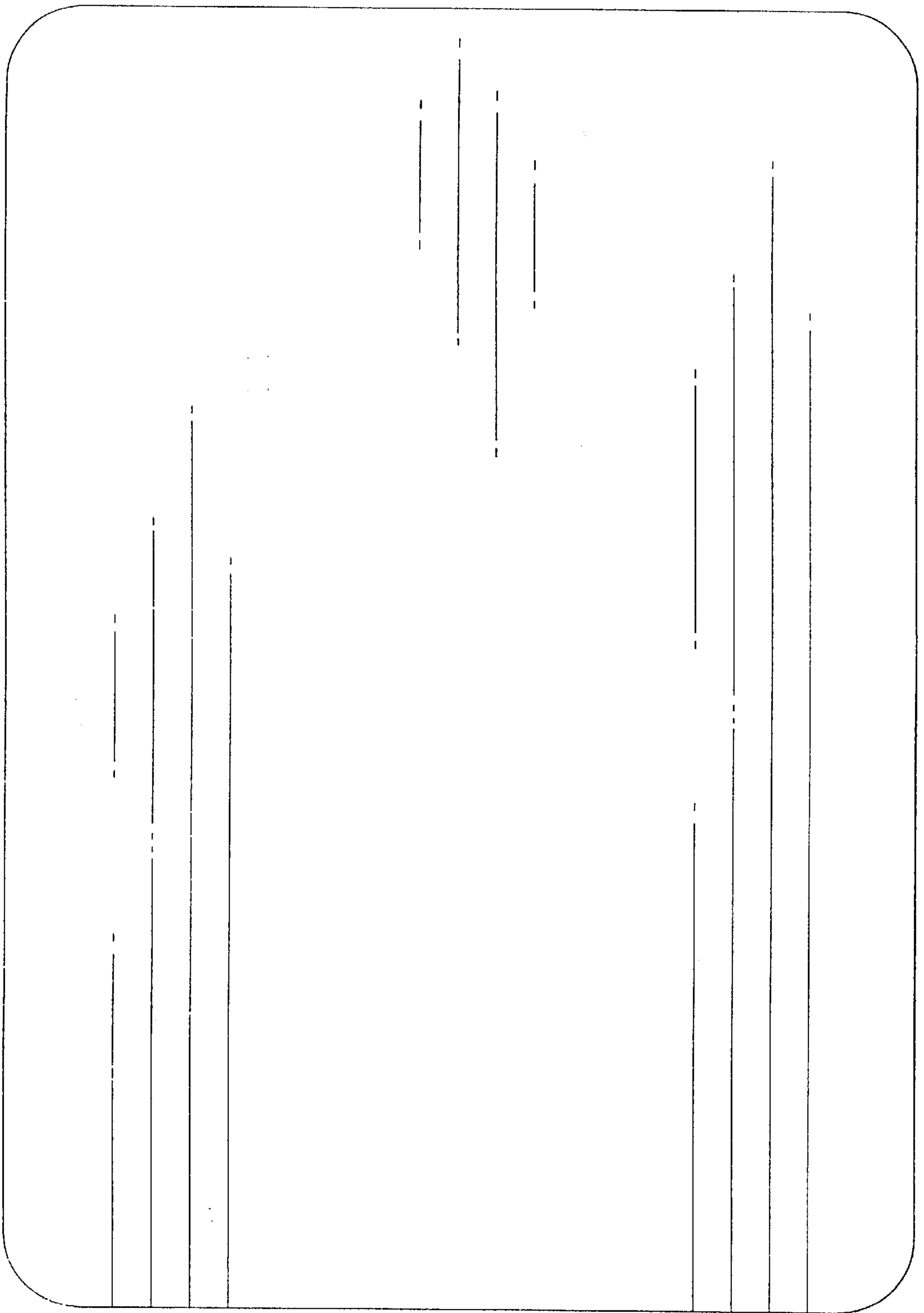


Fig. 6