



US00D486185S

(12) **United States Design Patent**
Sheldon et al.

(10) **Patent No.:** **US D486,185 S**

(45) **Date of Patent:** **** Feb. 3, 2004**

(54) **FILE HOLDER FOR ATTACHMENT TO A WALL, SUCH AS A CUBICLE WALL**

D416,421 S * 11/1999 Hampshire D6/553
D419,352 S * 1/2000 Hampshire D6/553
D438,904 S * 3/2001 Reynolds D19/90

(75) Inventors: **Robert W. Sheldon**, Chicago, IL (US);
Gregory J. Foster, Chicago, IL (US)

* cited by examiner

(73) Assignee: **Fellowes, Inc.**, Itasca, IL (US)

Primary Examiner—Martie K. Holtje

(74) *Attorney, Agent, or Firm*—Pillsbury Winthrop LLP

(**) Term: **14 Years**

(57) **CLAIM**

(21) Appl. No.: **29/163,429**

The ornamental design for a file holder for attachment to a wall, such as a cubicle wall, as shown and described.

(22) Filed: **Jul. 8, 2002**

DESCRIPTION

(51) **LOC (7) Cl.** **19-02**

(52) **U.S. Cl.** **D19/90; D19/86; D6/553**

(58) **Field of Search** D19/65, 75, 77,
D19/78, 86, 90, 91, 99, 100; D6/553, 567;
211/10, 11, 13.1, 44, 45, 50, 119.005, 87.01,
88.01, 126.13, 126.16; 229/67.1-67.3, 405,
928

A portion of the disclosure of this patent document contains material to which a claim for copyright is made. The copyright owner has no objection to the facsimile reproduction of the patent document or the patent disclosure, as it appears in the Patent and Trademark Office patent file or records, but reserves all other copyrights whatsoever.

FIG. 1 is a perspective view of a file holder for attachment to a wall, such as a cubicle wall embodying our new design; FIG. 2 is a front elevational view thereof;

FIG. 3 is a left side elevational view, it being understood that the right side view is essentially a mirror image of the left; FIG. 4 is a top plan view thereof; and,

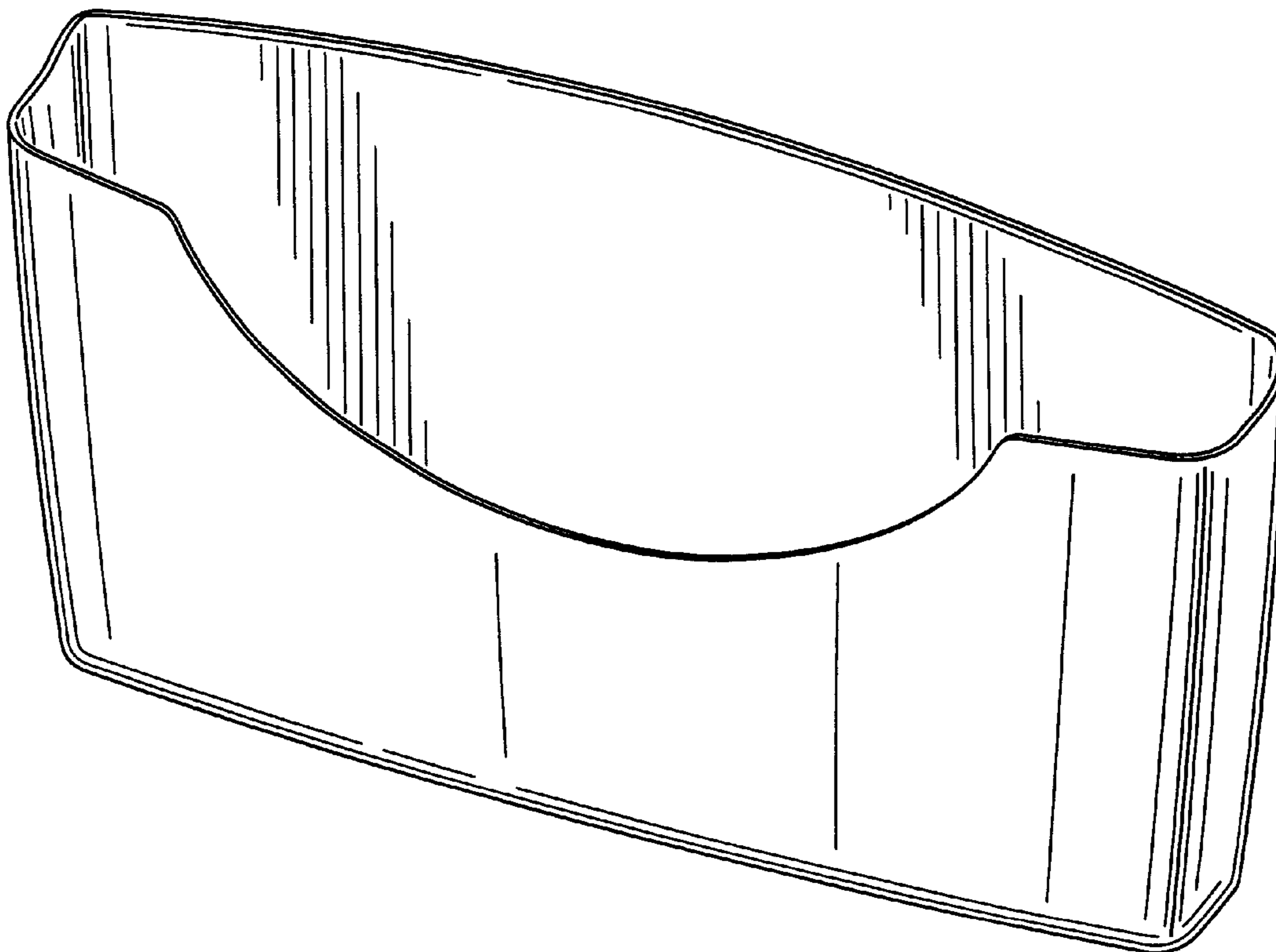
FIG. 5 is a rear elevational view thereof.

(56) **References Cited**

U.S. PATENT DOCUMENTS

- 2,807,371 A * 9/1957 Johnson 211/119.005
- D295,638 S * 5/1988 Evenson D19/90
- D310,925 S * 10/1990 Mervar et al. D6/567
- D322,993 S * 1/1992 Hobson D19/90
- D391,990 S * 3/1998 Wolff D19/78

1 Claim, 3 Drawing Sheets



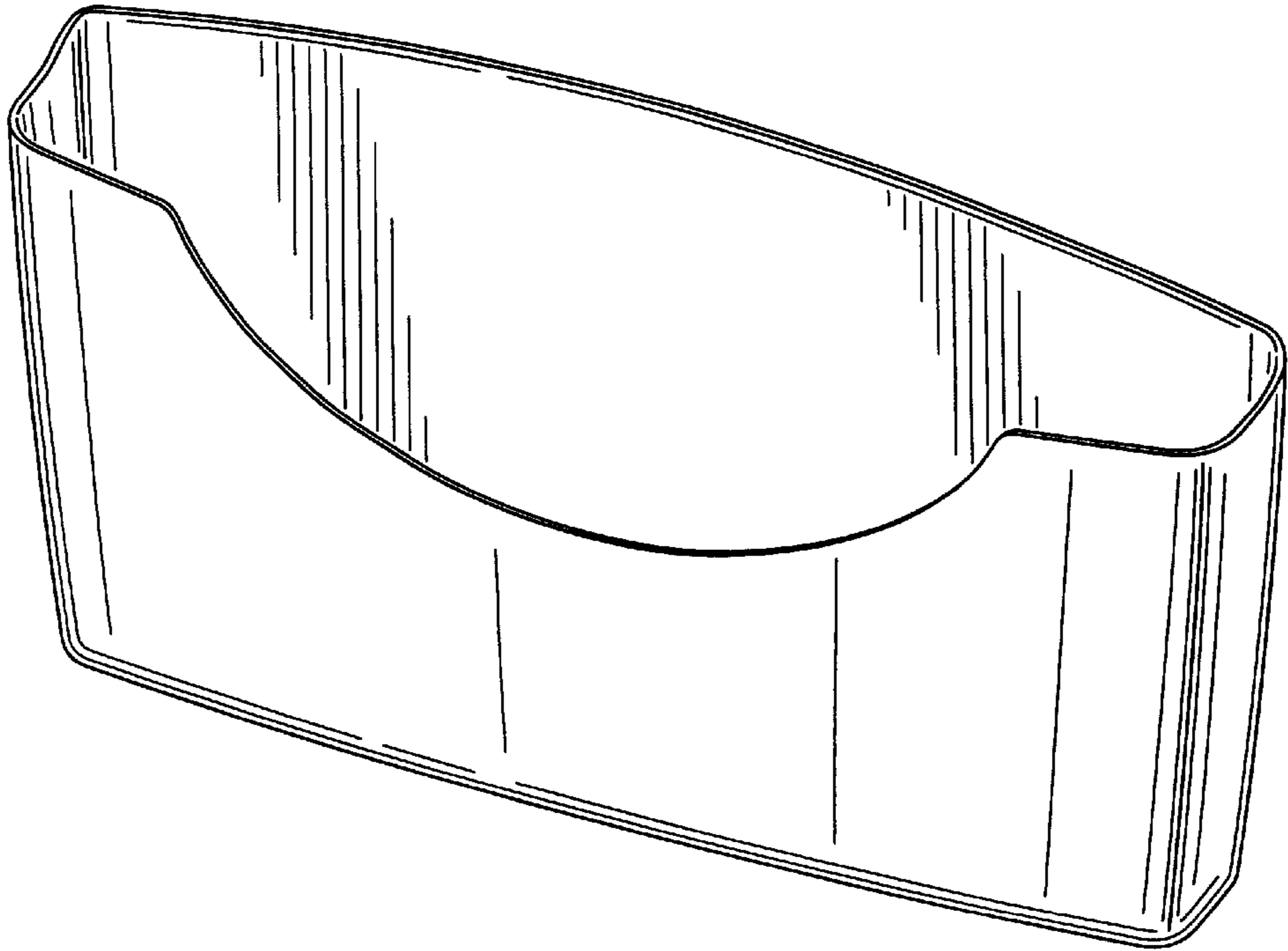


FIG. 1

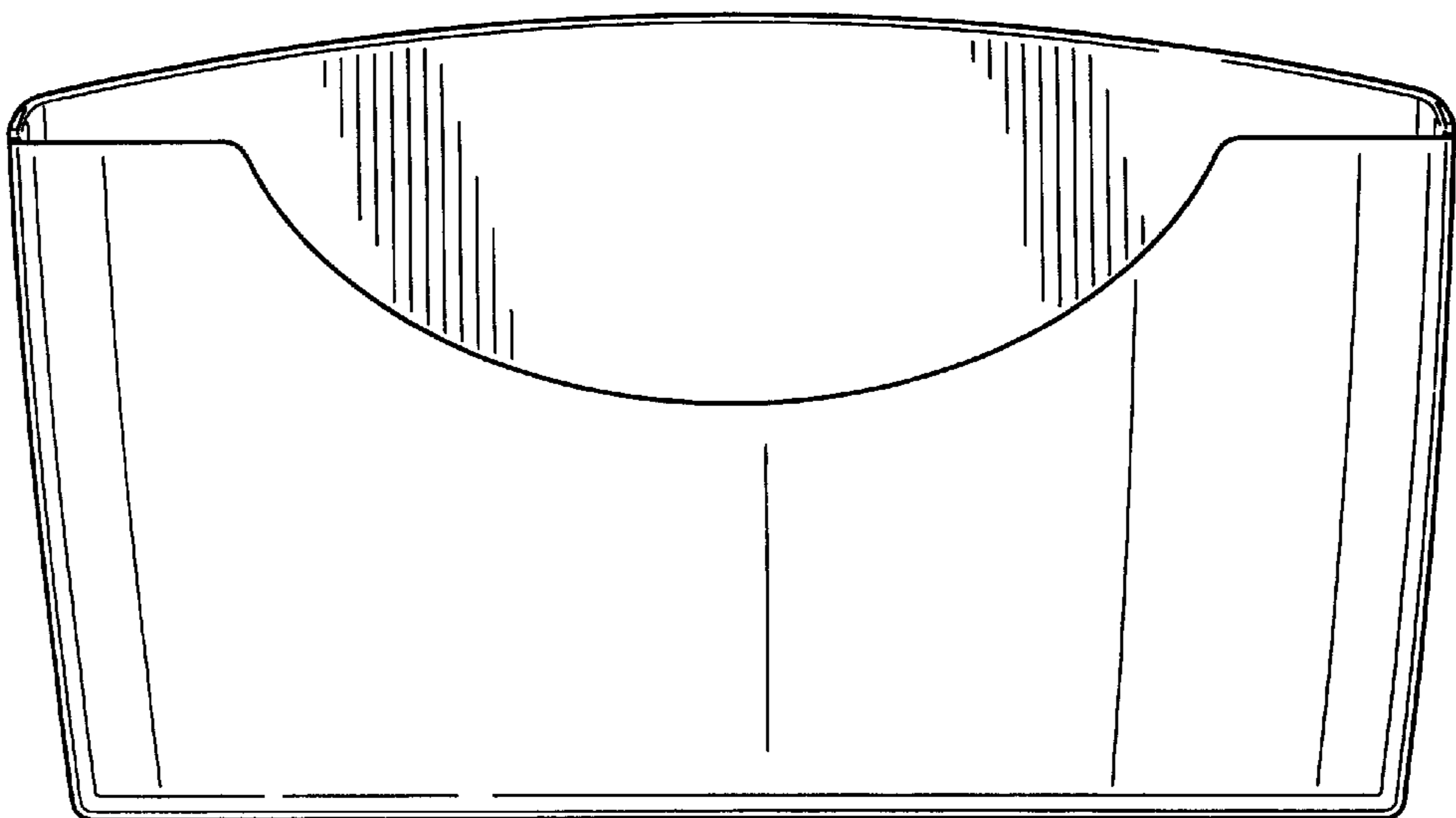


FIG. 2

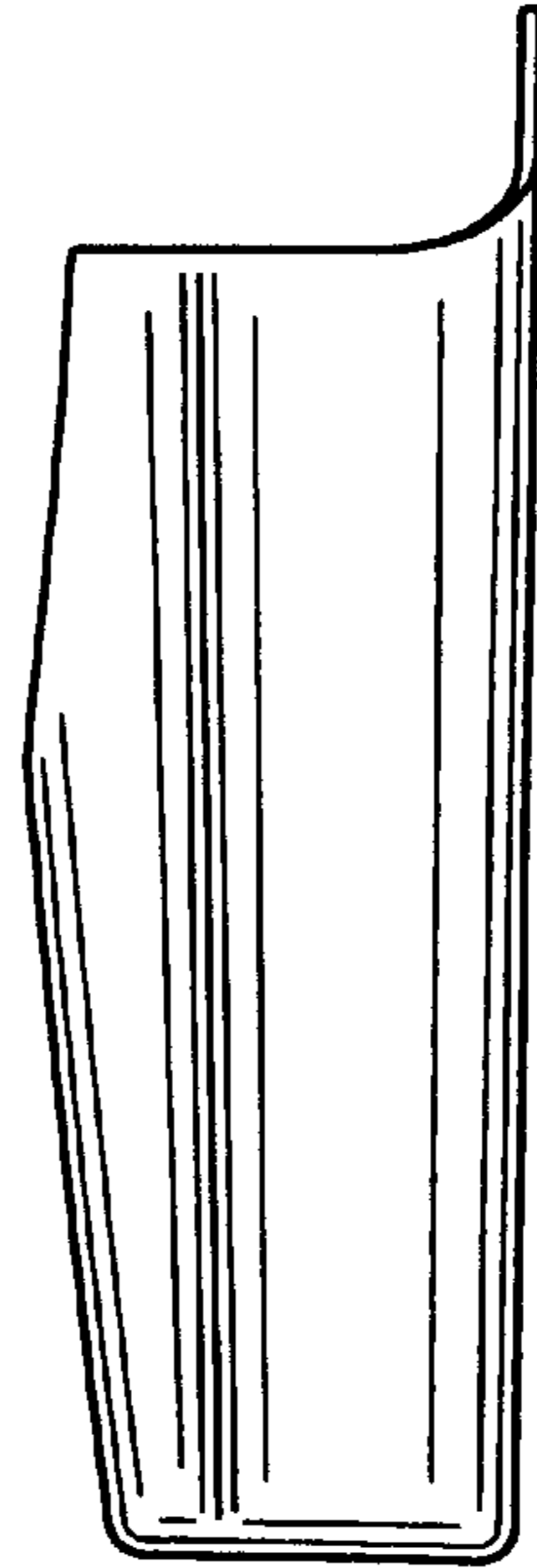


FIG. 3

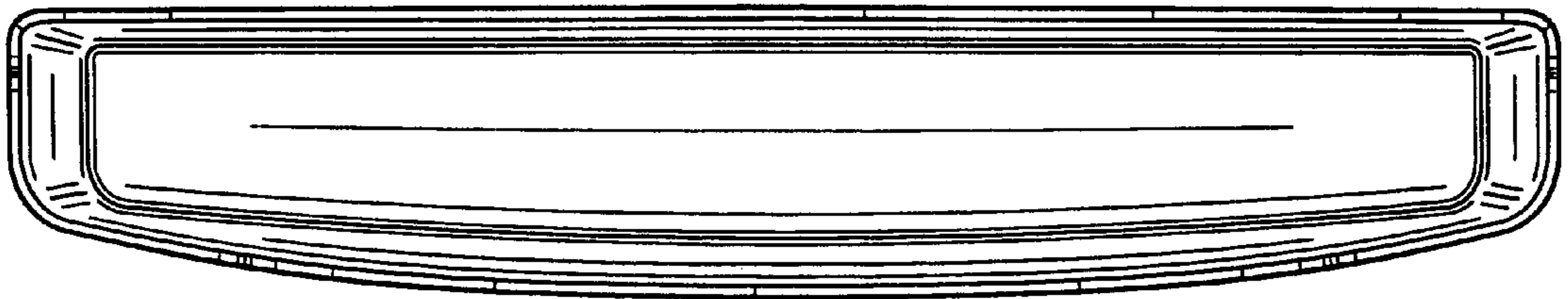


FIG. 4

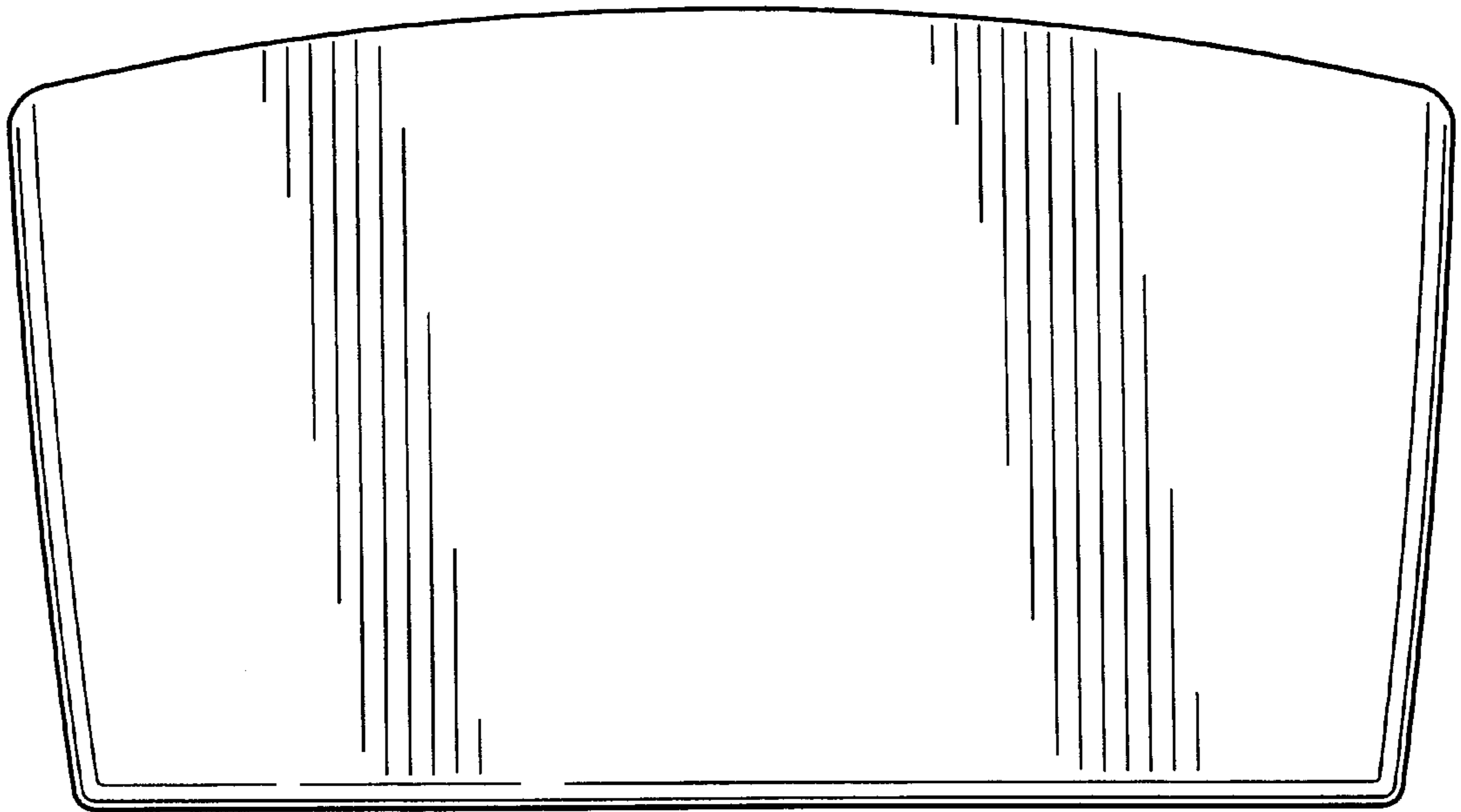


FIG. 5