



US00D486183S

(12) **United States Design Patent**
DeMaison

(10) **Patent No.:** **US D486,183 S**

(45) **Date of Patent:** **** Feb. 3, 2004**

(54) **COIN TEACHING SET**

(76) Inventor: **Alan Lee DeMaison**, 6583 Berkshire Dr., Mentor, OH (US) 44060

(**) Term: **14 Years**

(21) Appl. No.: **29/153,414**

(22) Filed: **Jan. 9, 2002**

(51) **LOC (7) Cl.** **19-07**

(52) **U.S. Cl.** **D19/59**

(58) **Field of Search** D19/59, 60, 61,
D19/62, 63, 64; 434/96, 188, 189, 190,
191, 193, 194, 195, 198, 199, 201, 206,
211, 212, 428, 110

(56) **References Cited**

U.S. PATENT DOCUMENTS

1,526,597 A	*	2/1925	Harris	434/110
2,835,988 A	*	5/1958	Hilkene	434/195
2,950,542 A	*	8/1960	Steelman	434/195
3,690,017 A	*	9/1972	Holmquist	434/110
D247,502 S	*	3/1978	Hanson	D19/59

4,241,522 A	*	12/1980	Jablonski	434/199
4,521,197 A	*	6/1985	Lumpkins	434/110
4,571,189 A	*	2/1986	Shank	434/110
4,776,797 A	*	10/1988	Hernandez	434/110

* cited by examiner

Primary Examiner—Doris V. Coles

Assistant Examiner—Elizabeth A. Albert

(74) *Attorney, Agent, or Firm*—James A. Lucas

(57) **CLAIM**

The ornamental design for a coin teaching set, as shown and described.

DESCRIPTION

FIG. 1 is a perspective view of three strips of a coin teaching set;

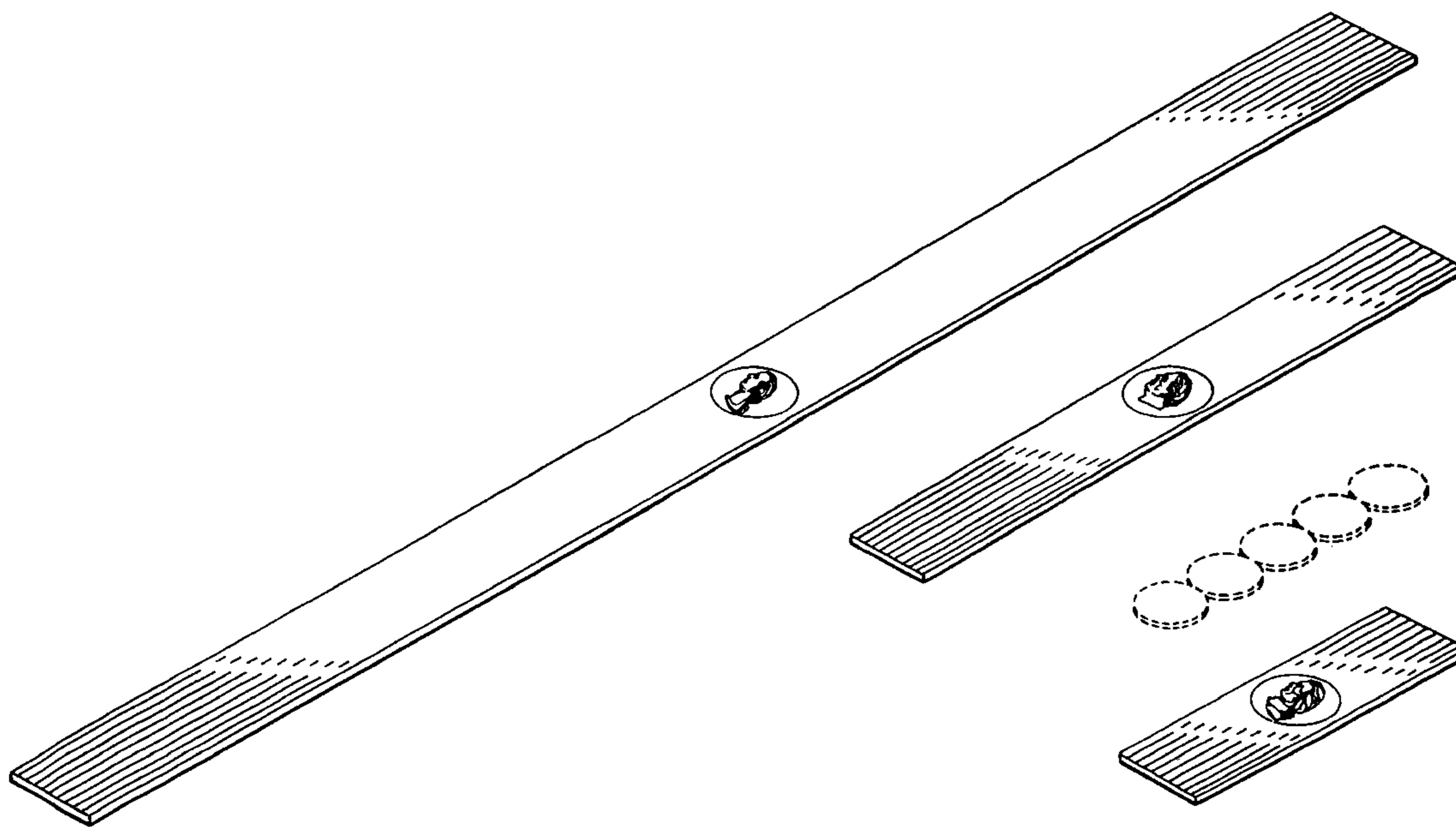
FIG. 2 is a top plan view of FIG. 1;

FIG. 3 is an end elevation view of FIG. 1; and,

FIG. 4 is a front elevation view of FIG. 1.

The broken lines showing the coins are for illustration purposes only and form no part of the claimed design.

1 Claim, 2 Drawing Sheets



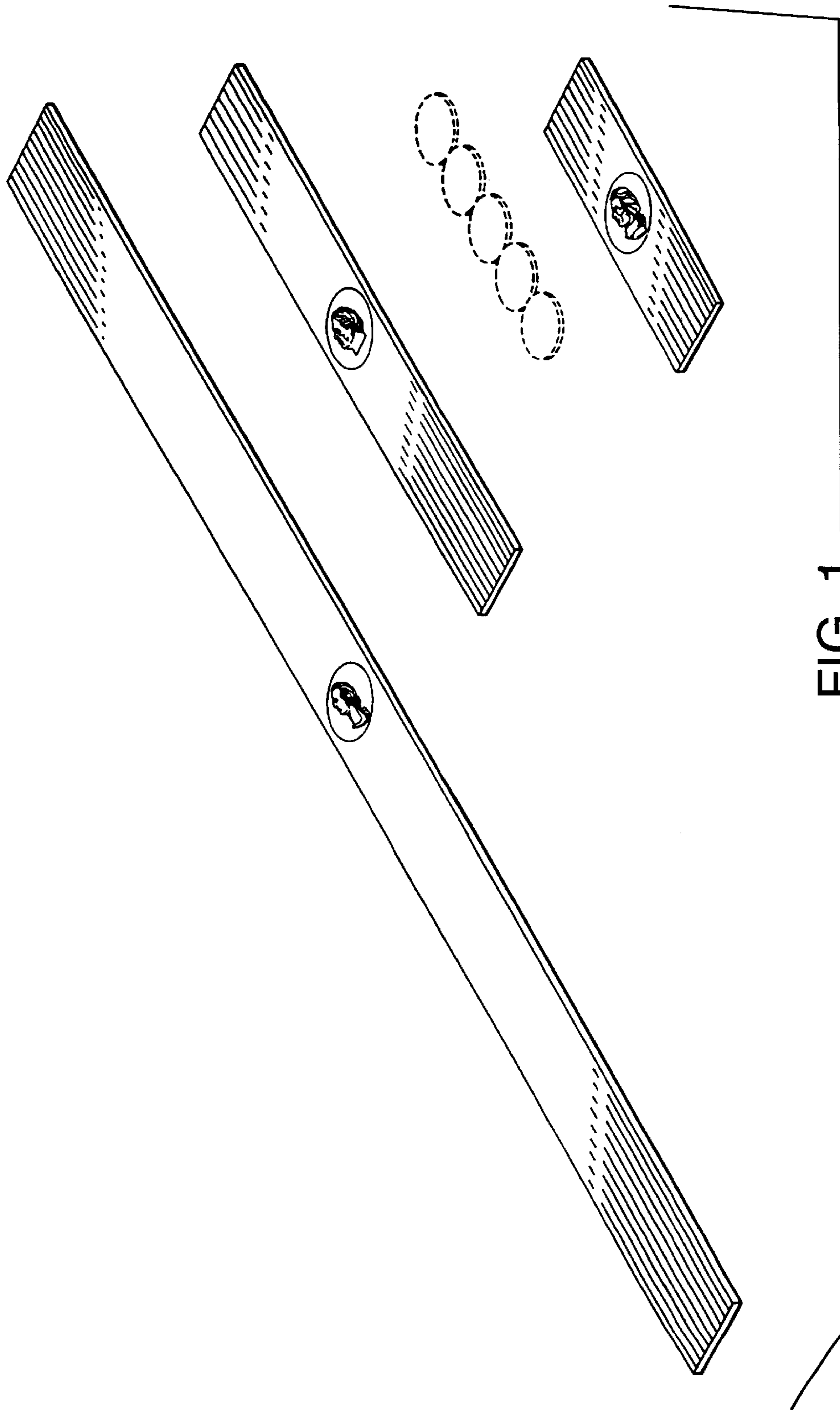


FIG. 1

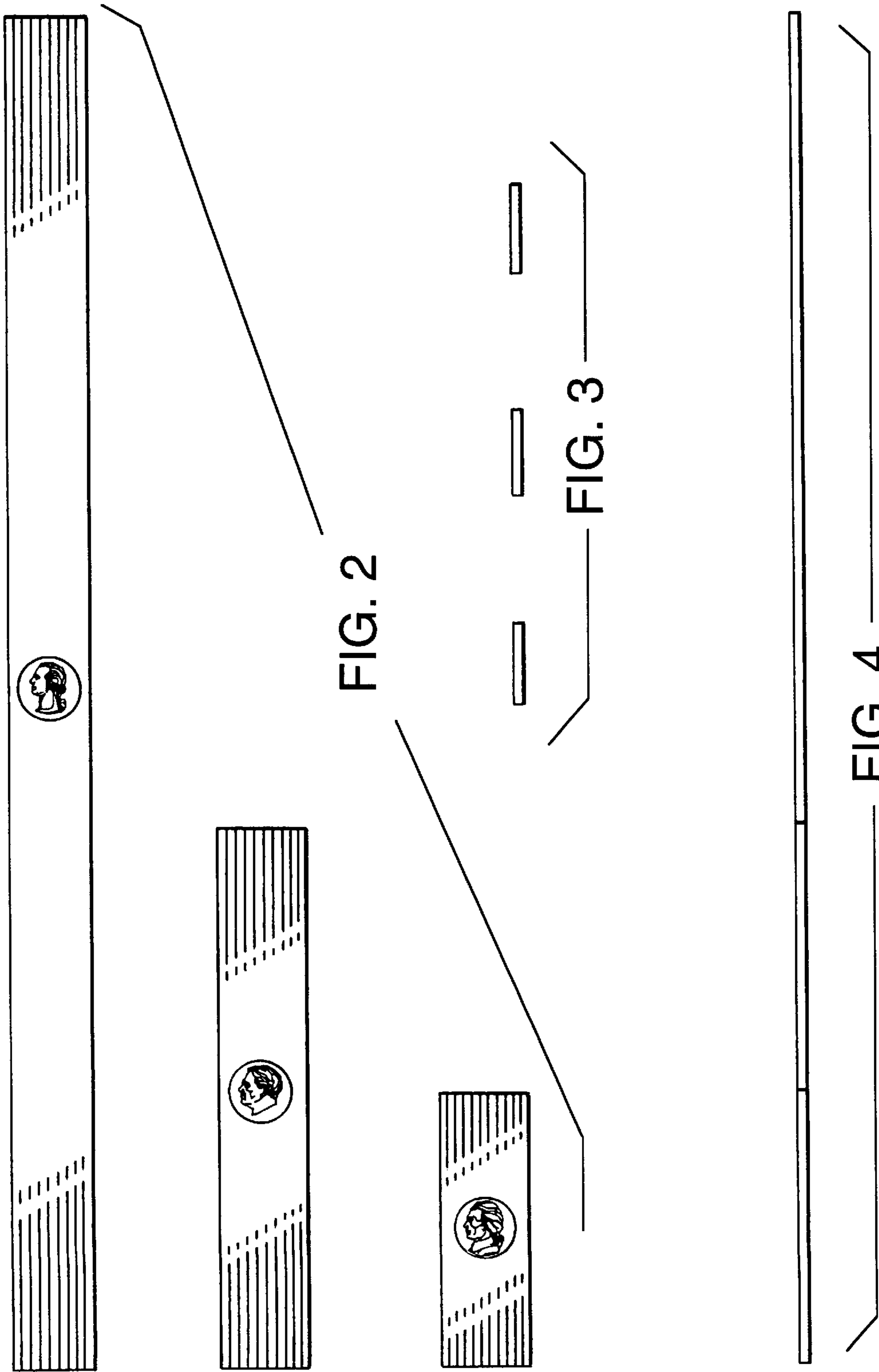


FIG. 2

FIG. 3

FIG. 4