



US00D486180S

(12) **United States Design Patent**  
**Smart**

(10) **Patent No.:** **US D486,180 S**

(45) **Date of Patent:** **\*\* Feb. 3, 2004**

(54) **LICENSE PLATE PHOTO ALBUM**

(76) **Inventor:** **Neil F. Smart, 278 Country Club Dr., Stansbury Park, UT (US) 84074**

(\*\*) **Term:** **14 Years**

(21) **Appl. No.:** **29/181,761**

(22) **Filed:** **May 15, 2003**

(51) **LOC (7) Cl.** ..... **19-04**

(52) **U.S. Cl.** ..... **D19/28; D19/26; D19/27; D20/13**

(58) **Field of Search** ..... **D3/247, 252, 301, D3/303, 900; D20/13; D19/26, 27, 28, 32, 33; 281/15.1, 3.1, 4, 19.1, 19.2, 21.1, 27.1-27.3, 28, 29, 30, 31, 32, 35, 38, 44, 51; 402/31-36, 69, 73, 74, 75-79, 80 R, 80 P, 500-503; 40/771**

(56) **References Cited**

**U.S. PATENT DOCUMENTS**

- 2,500,528 A 3/1950 De Vry
- 2,733,717 A \* 2/1956 Haskin ..... 402/80 R
- D242,500 S \* 11/1976 Bruckner ..... D20/13
- D340,070 S \* 10/1993 Tan ..... D19/26
- D352,309 S \* 11/1994 Gresham et al. .... D19/27
- 5,605,354 A 2/1997 Kwon

- D383,779 S 9/1997 Yaukey
- D390,871 S 2/1998 Whitney
- D421,049 S 2/2000 Pescatore
- 6,061,943 A 5/2000 Pepys
- D426,580 S \* 6/2000 Gall ..... D20/13
- D430,203 S 8/2000 Drobis
- 6,142,529 A \* 11/2000 Liao ..... 281/29
- D446,809 S \* 8/2001 Parker ..... D19/26
- 6,325,419 B1 12/2001 Bennemen
- D456,447 S \* 4/2002 Ader et al. .... D19/17
- D475,084 S \* 5/2003 Wigard et al. .... D19/26

\* cited by examiner

*Primary Examiner*—Martie K. Holtje

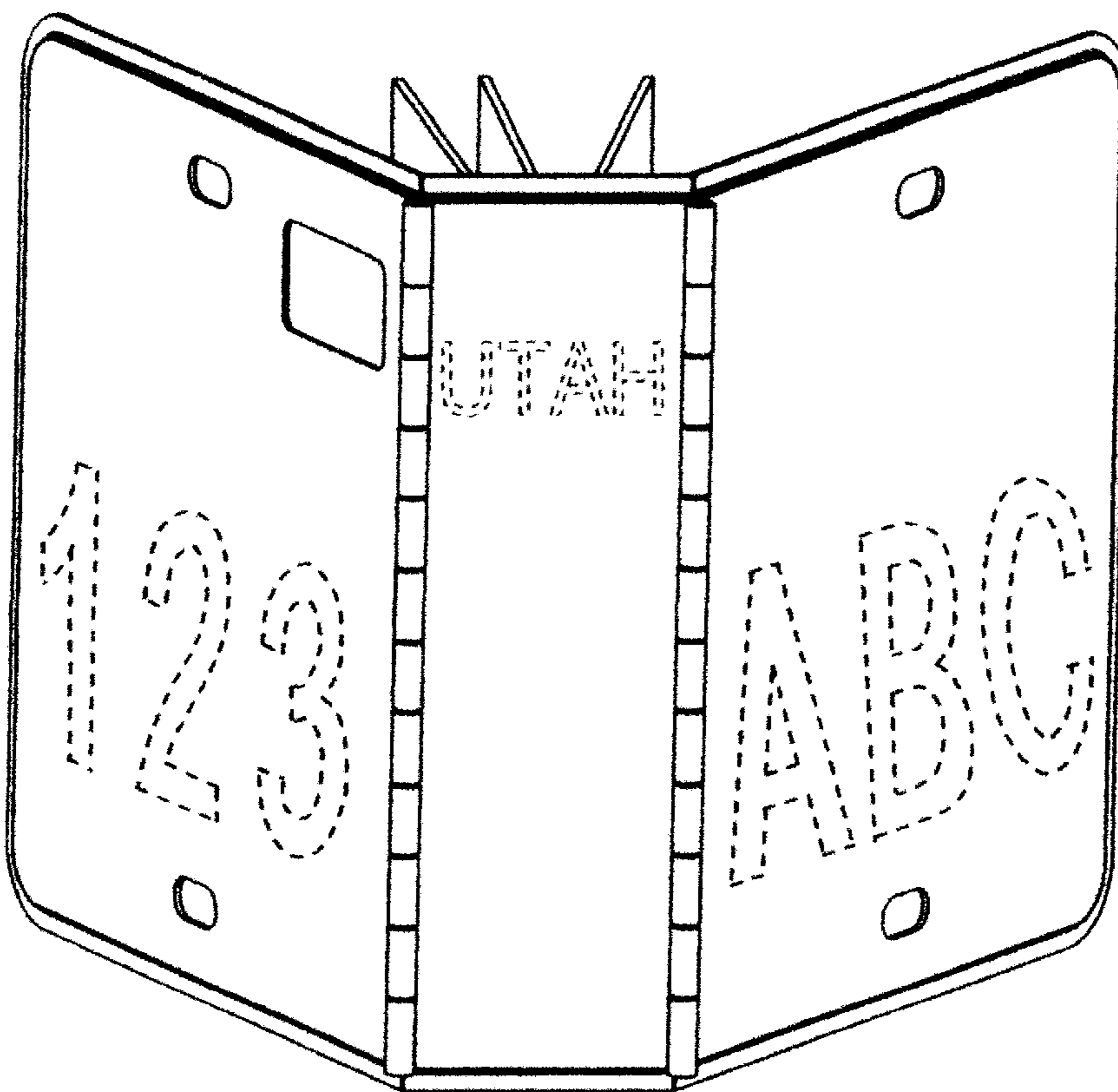
(57) **CLAIM**

The ornamental design for a license plate photo album, as shown and described.

**DESCRIPTION**

FIG. 1 is a perspective view of the front and rear cover of the license plate photo album, showing my new design; FIG. 2 is a top perspective view thereof; and, FIG. 3 is an inside perspective view thereof. The indicia depicted by means of broken lines in FIG. 1 has been shown for illustrative purposes only and forms no part of the claimed design.

**1 Claim, 3 Drawing Sheets**



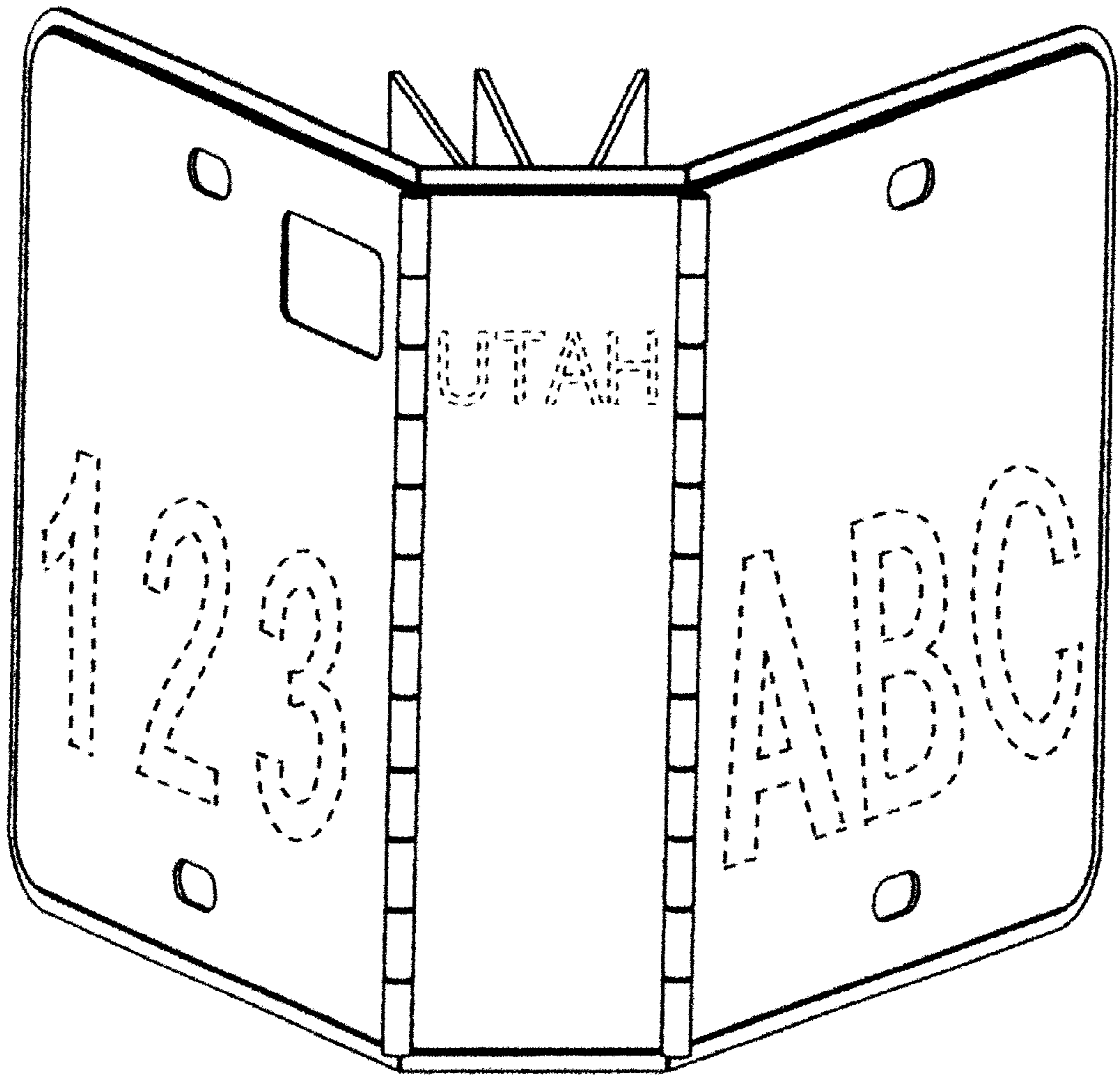


Fig. 1

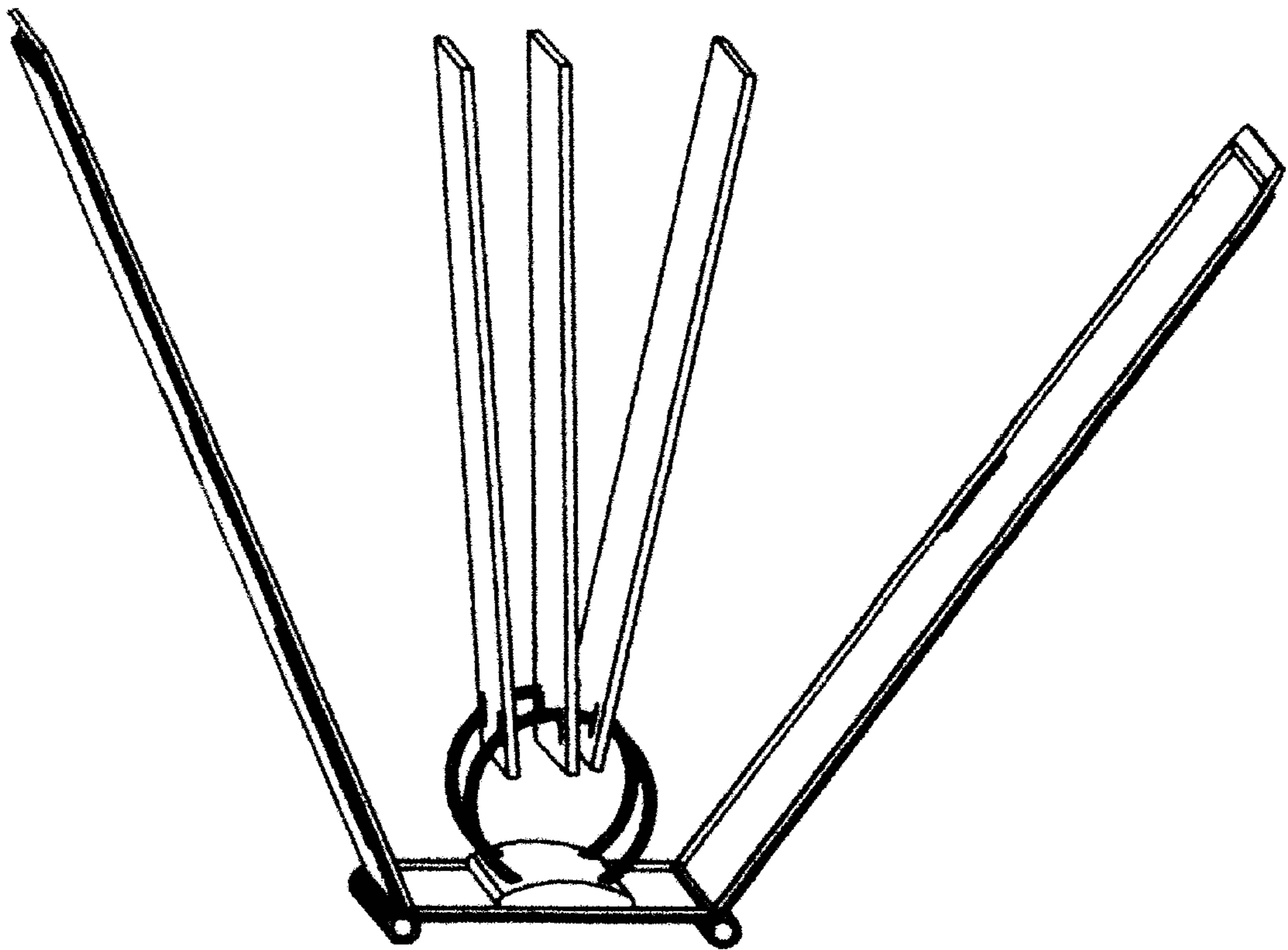


Fig. 2

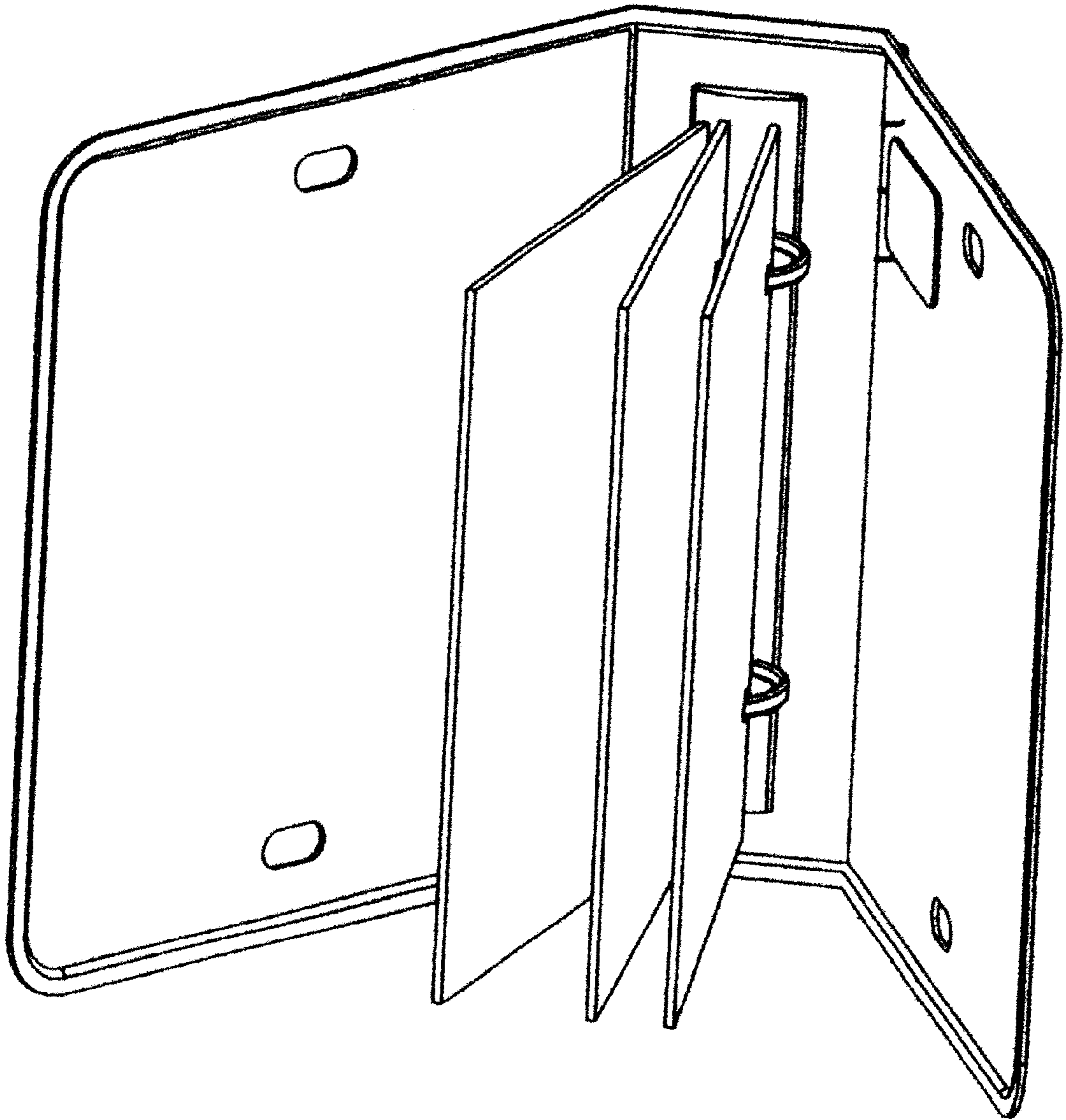


Fig. 3