



US00D486178S

(12) **United States Design Patent**
Wong et al.

(10) **Patent No.:** **US D486,178 S**

(45) **Date of Patent:** **** Feb. 3, 2004**

(54) **INKJET PRINTER**

(75) Inventors: **Howard G. Wong**, Portland, OR (US);
Daniel R. Dwyer, Battle Ground, WA
(US); **Jeffrey G. Bingham**, Vancouver,
WA (US); **Teressa L. Roth**, Brush
Prairie, WA (US)

(73) Assignee: **Hewlett-Packard Development
Company, L.P.**, Houston, TX (US)

(**) Term: **14 Years**

(21) Appl. No.: **29/170,636**

(22) Filed: **Nov. 9, 2002**

(51) **LOC (7) Cl.** **14-02**

(52) **U.S. Cl.** **D18/55**

(58) **Field of Search** D18/50, 53, 54-55,
D18/36-39, 14, 19-21; D14/420-425, 462-470;
400/613, 613.1-613.4, 690.1-690.4, 691-694

(56) **References Cited**

U.S. PATENT DOCUMENTS

D366,900 S * 2/1996 Pangburn et al. D18/50

D375,119 S * 10/1996 Pangburn D18/50

D463,485 S * 9/2002 Yoshida et al. D18/50

D466,552 S * 12/2002 Hwang et al. D18/55

D466,920 S * 12/2002 Kawahara et al. D18/50

D477,018 S * 7/2003 Dwyer et al. D18/50

* cited by examiner

Primary Examiner—Cathy Anne McCormac

(57) **CLAIM**

The ornamental design for an inkjet printer, substantially as shown and described.

DESCRIPTION

FIG. 1 is a perspective view of an inkjet printer in accordance with the present invention;

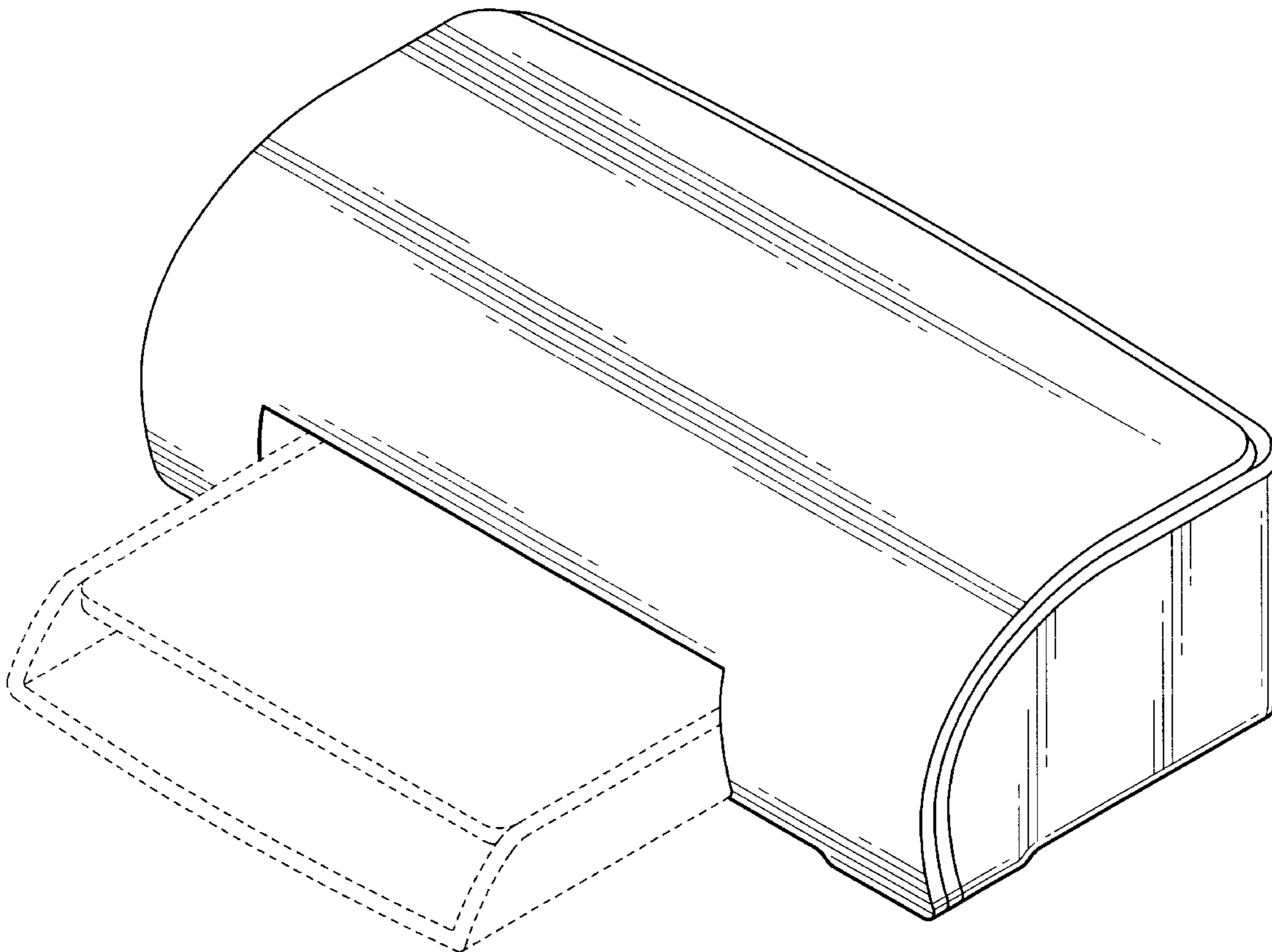
FIG. 2 is a top plan thereof;

FIG. 3 is a front elevational view thereof;

FIG. 4 is a rear elevational view thereof; and,

FIG. 5 is a right side elevational view thereof, the mirror image of which is the left side elevational view thereof.

1 Claim, 4 Drawing Sheets



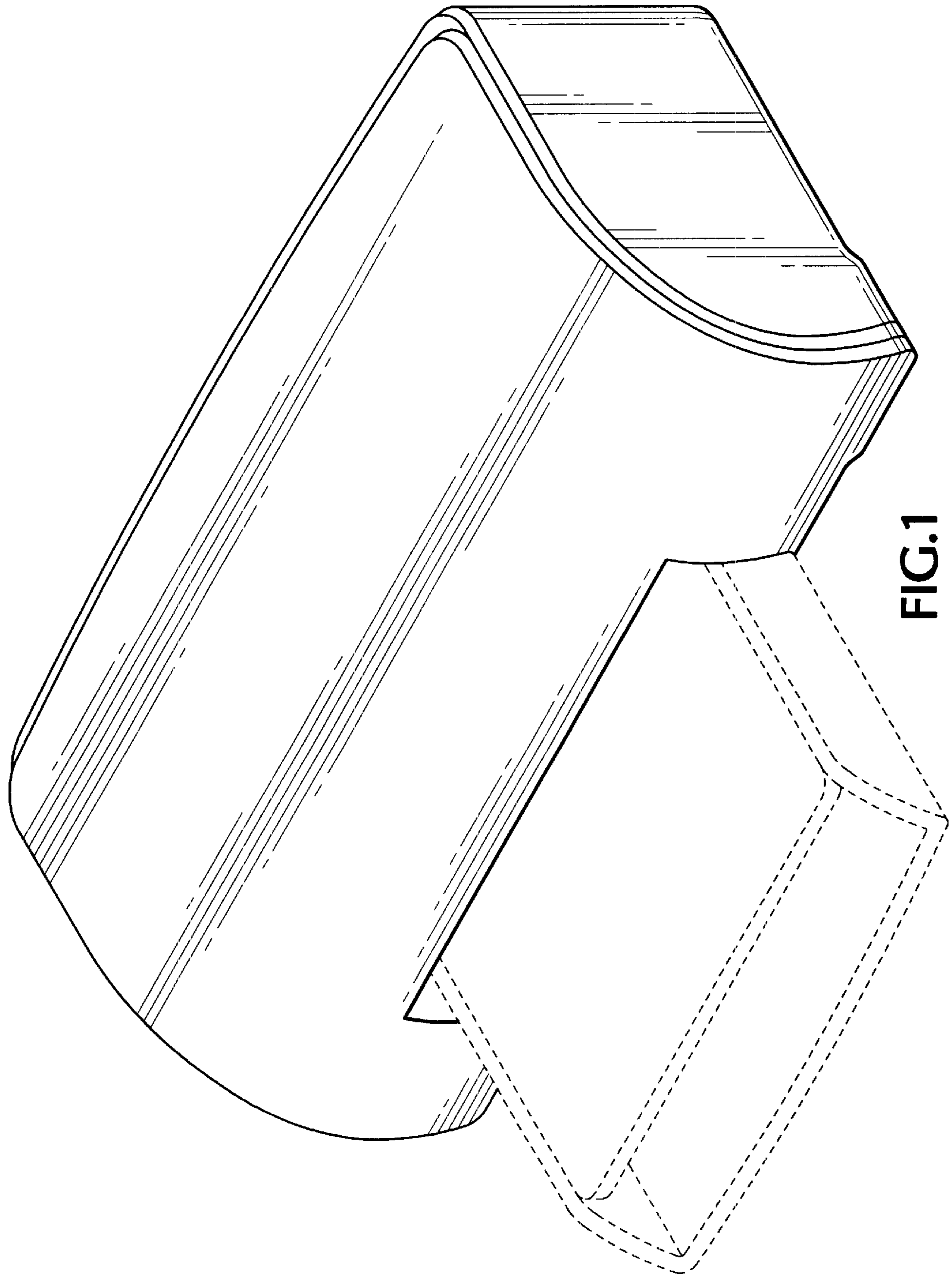
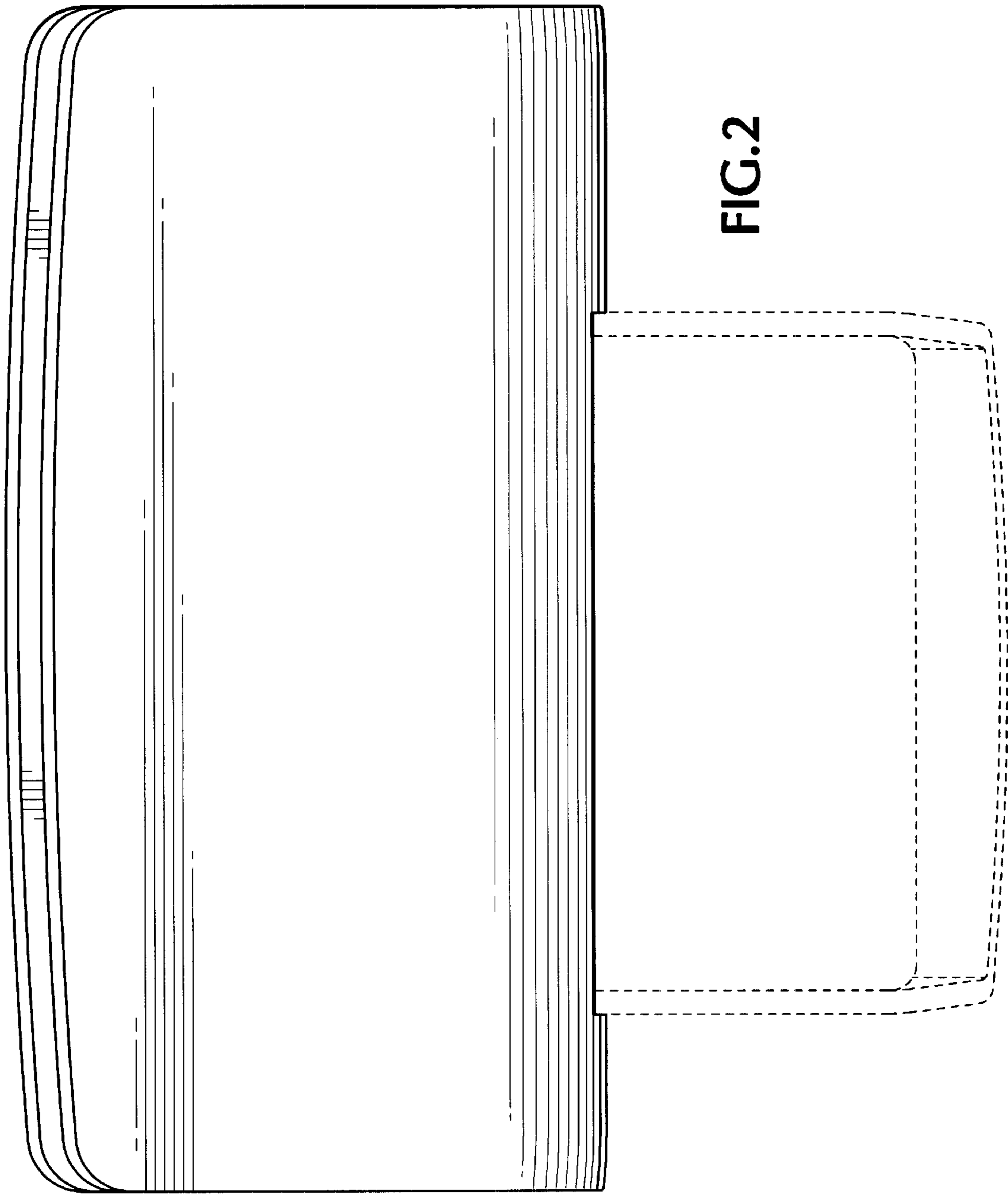


FIG.1



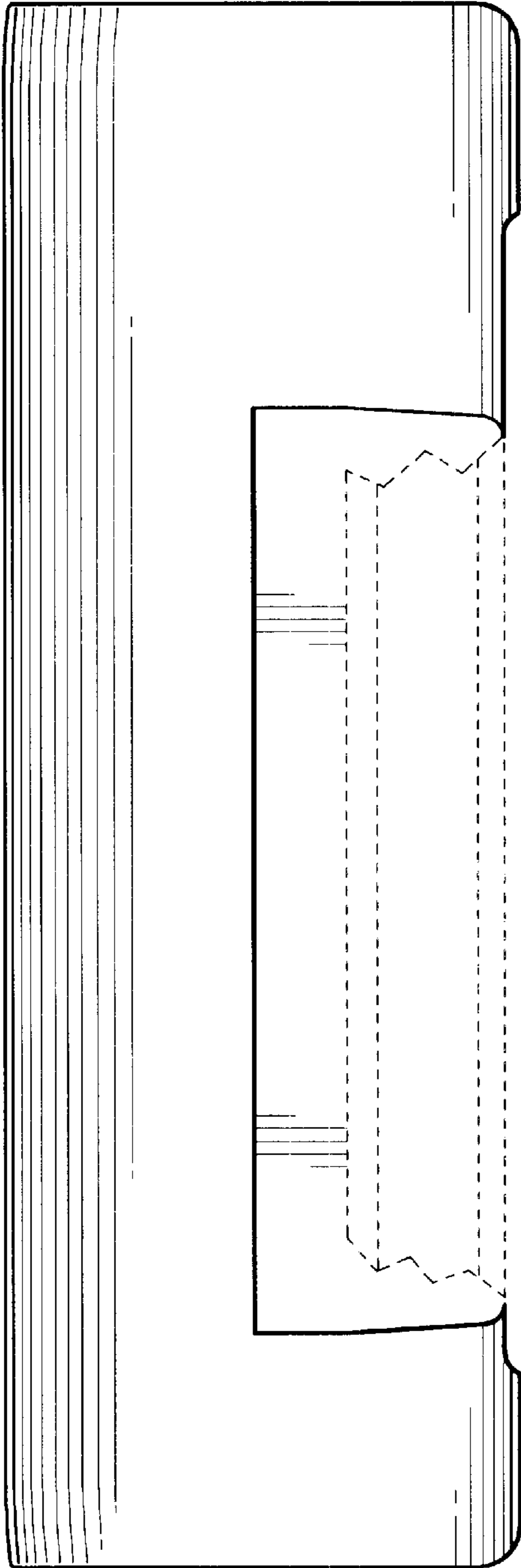


FIG. 3

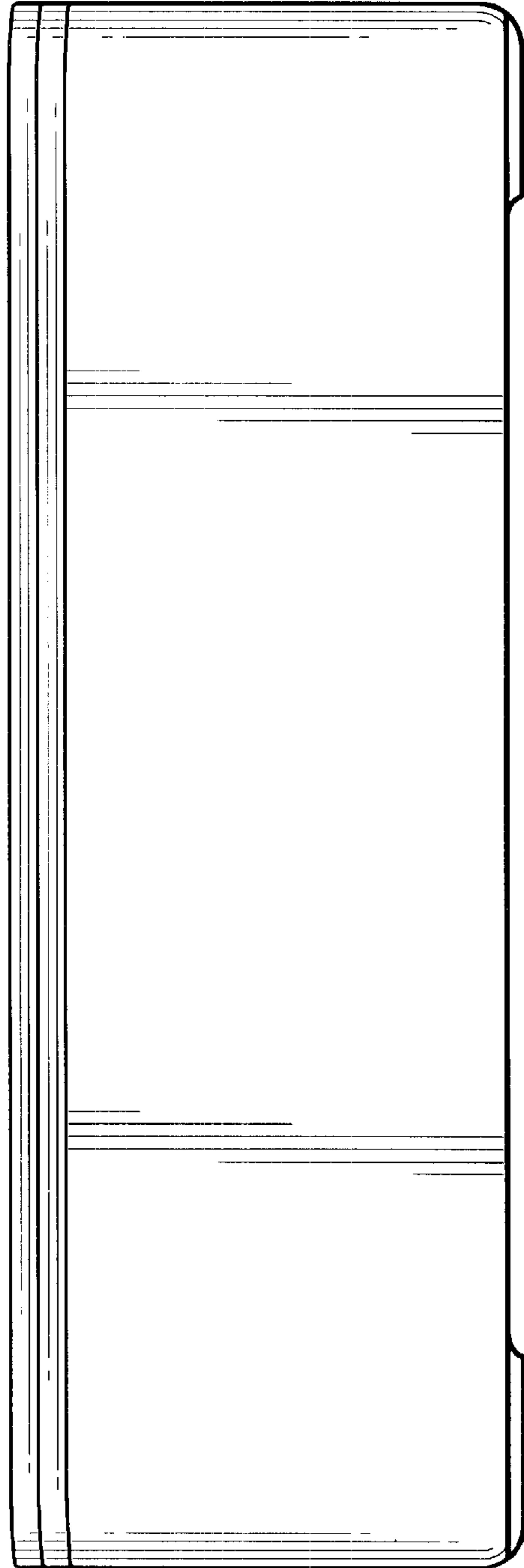


FIG. 4

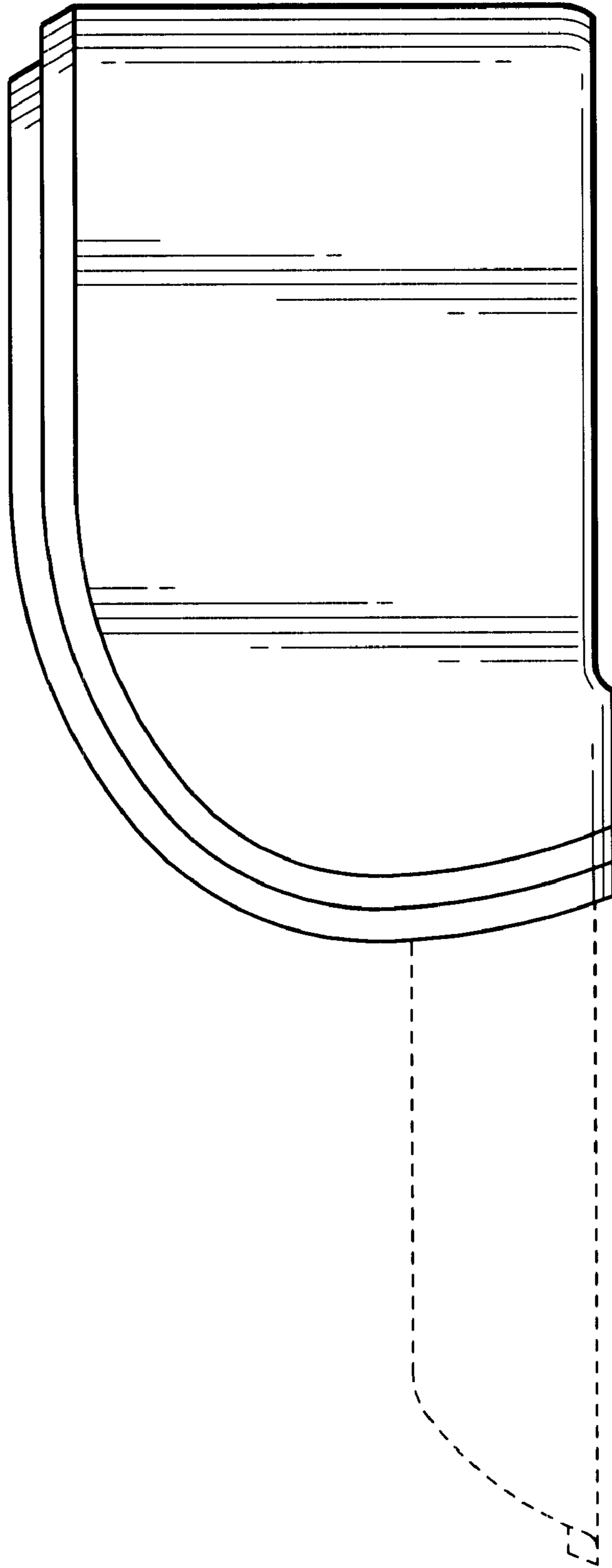


FIG. 5