



US00D486176S

(12) **United States Design Patent**
Flaherty et al.

(10) **Patent No.:** **US D486,176 S**

(45) **Date of Patent:** **** Feb. 3, 2004**

(54) **POINT-OF-SALE-ACTIVATION DEVICE**

2003/0144910 A1 * 7/2003 Flaherty et al. 705/22

(75) Inventors: **Stephen C. Flaherty**, Provo, UT (US);
Paul C. Hickey, Cedar Hills, UT (US)

* cited by examiner

Primary Examiner—Caron D. Veynar

(73) Assignee: **Q COMM International, Inc.**, Orem,
UT (US)

(74) *Attorney, Agent, or Firm*—Workman Nydegger

(**) Term: **14 Years**

(57) **CLAIM**

The ornamental design for a point-of-sale-activation device,
as shown and described.

(21) Appl. No.: **29/169,739**

DESCRIPTION

(22) Filed: **Oct. 25, 2002**

(51) **LOC (7) Cl.** **18-01**

FIG. 1 is a perspective view of a point-of-sale-activation device of the present invention;

(52) **U.S. Cl.** **D18/4.4; D18/4.6**

FIG. 2 is a top view of the point-of-sale-activation device shown in FIG. 1;

(58) **Field of Search** D18/1-7; 235/2-7 R,
235/379, 380, 472.01, 58 CW; 705/16,
17, 22; D14/302, 341, 346, 383-387; 194/205,
206, 208-212

FIG. 3 is a right side view of the point-of-sale-activation device shown in FIG. 1;

FIG. 4 is a bottom view of the point-of-sale-activation device shown in FIG. 1;

(56) **References Cited**

U.S. PATENT DOCUMENTS

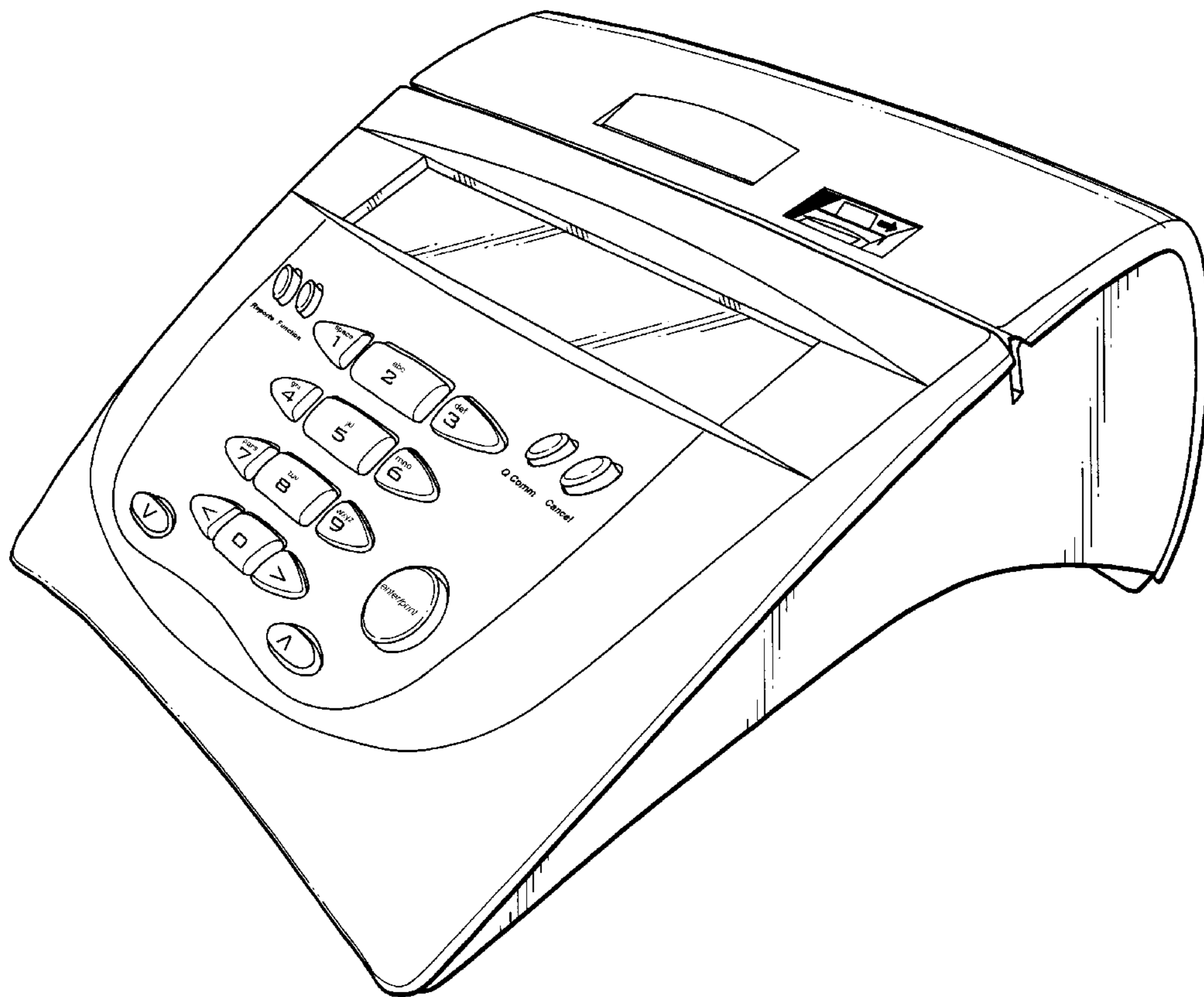
- D232,834 S * 9/1974 Yamagami D18/7
- D233,349 S * 10/1974 Bellini D18/7
- D327,877 S * 7/1992 Martin D18/4.6
- 2003/0144908 A1 * 7/2003 Flaherty et al. 705/16
- 2003/0144909 A1 * 7/2003 Flaherty et al. 705/17

FIG. 5 is a left side view of the point-of-sale-activation device shown in FIG. 1;

FIG. 6 is a back view of the point-of-sale-activation device shown in FIG. 1; and,

FIG. 7 is a front view of the point-of-sale-activation device shown in FIG. 1.

1 Claim, 5 Drawing Sheets



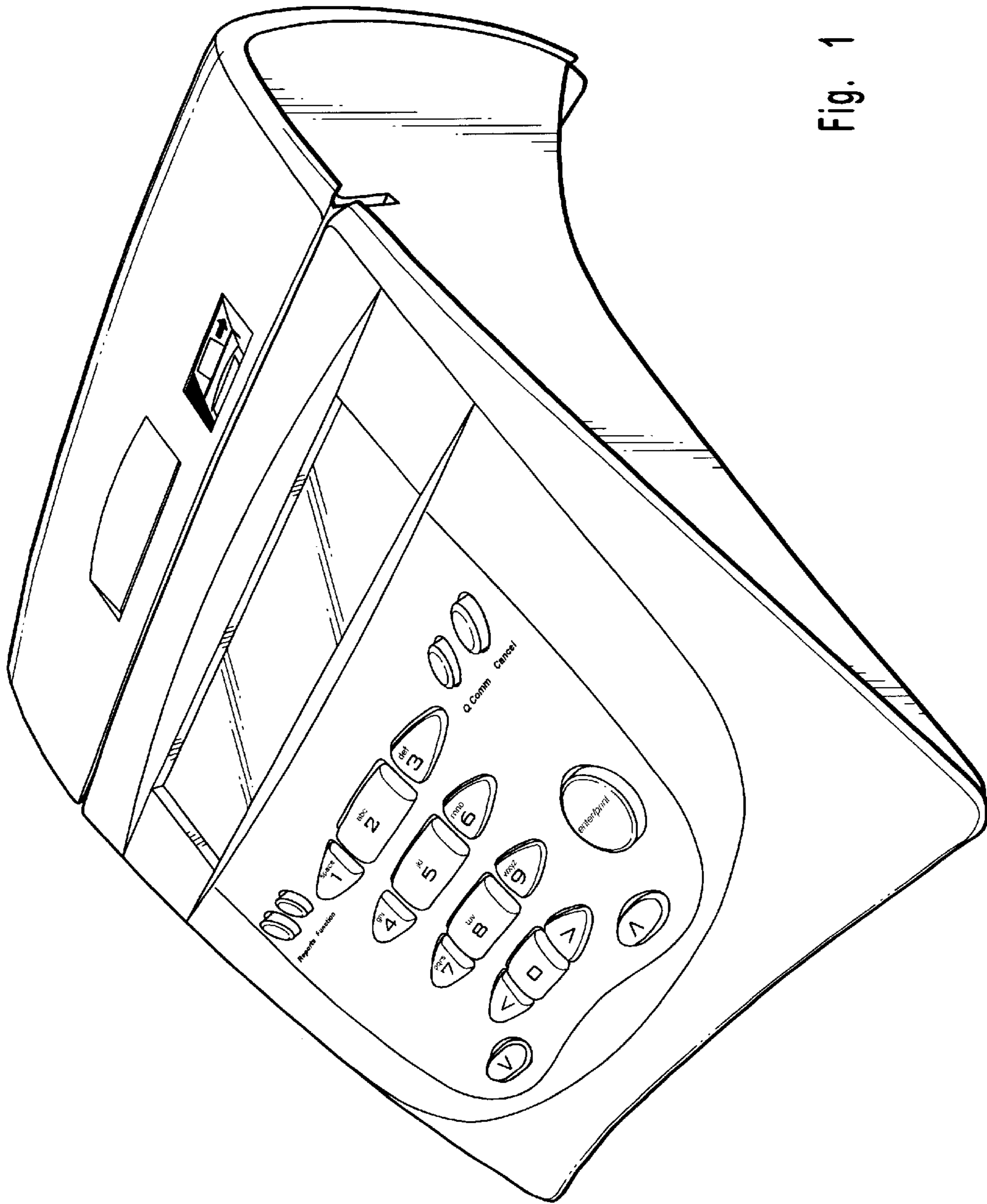


Fig. 1

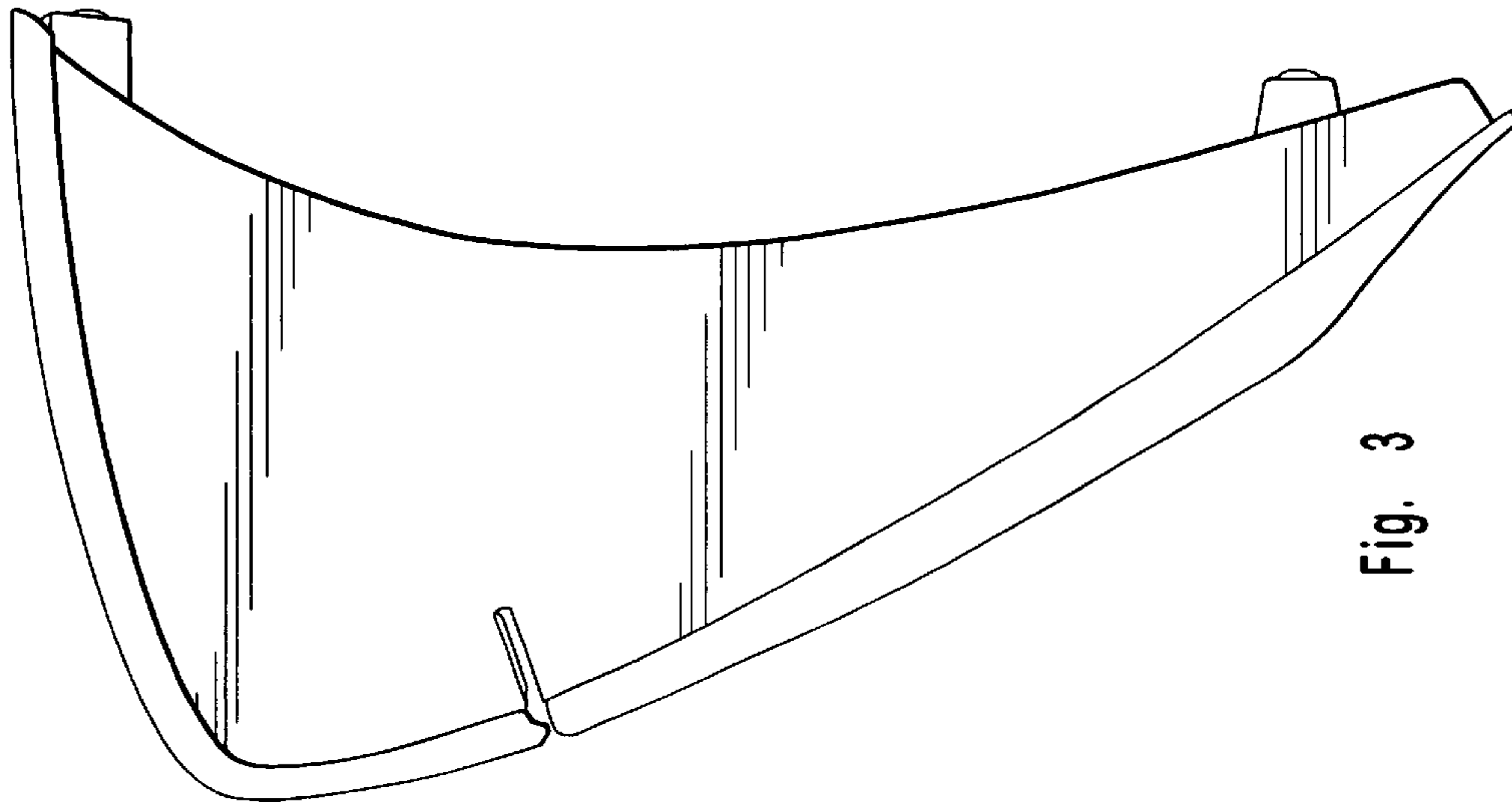


Fig. 2

Fig. 3

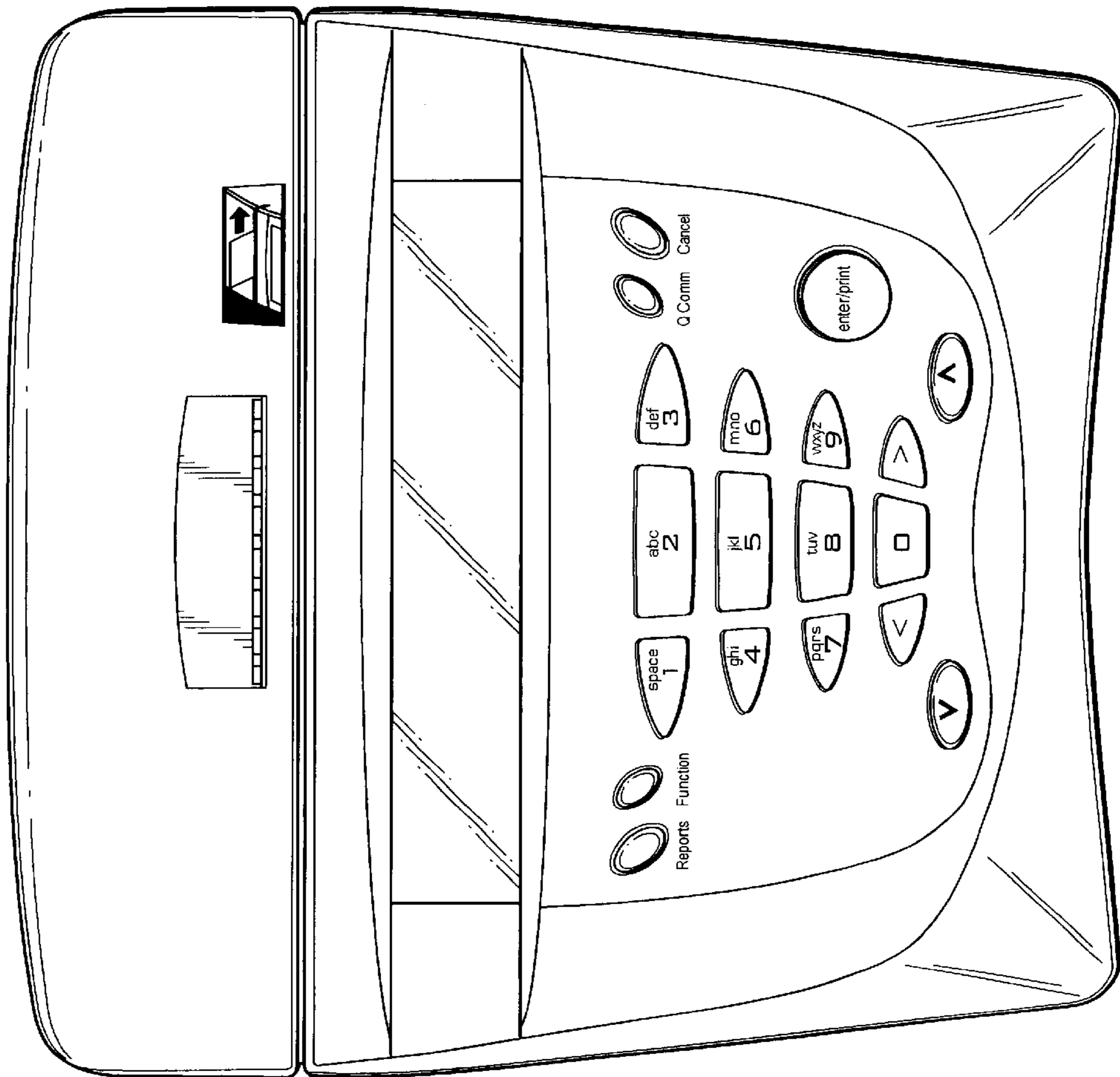


Fig. 3

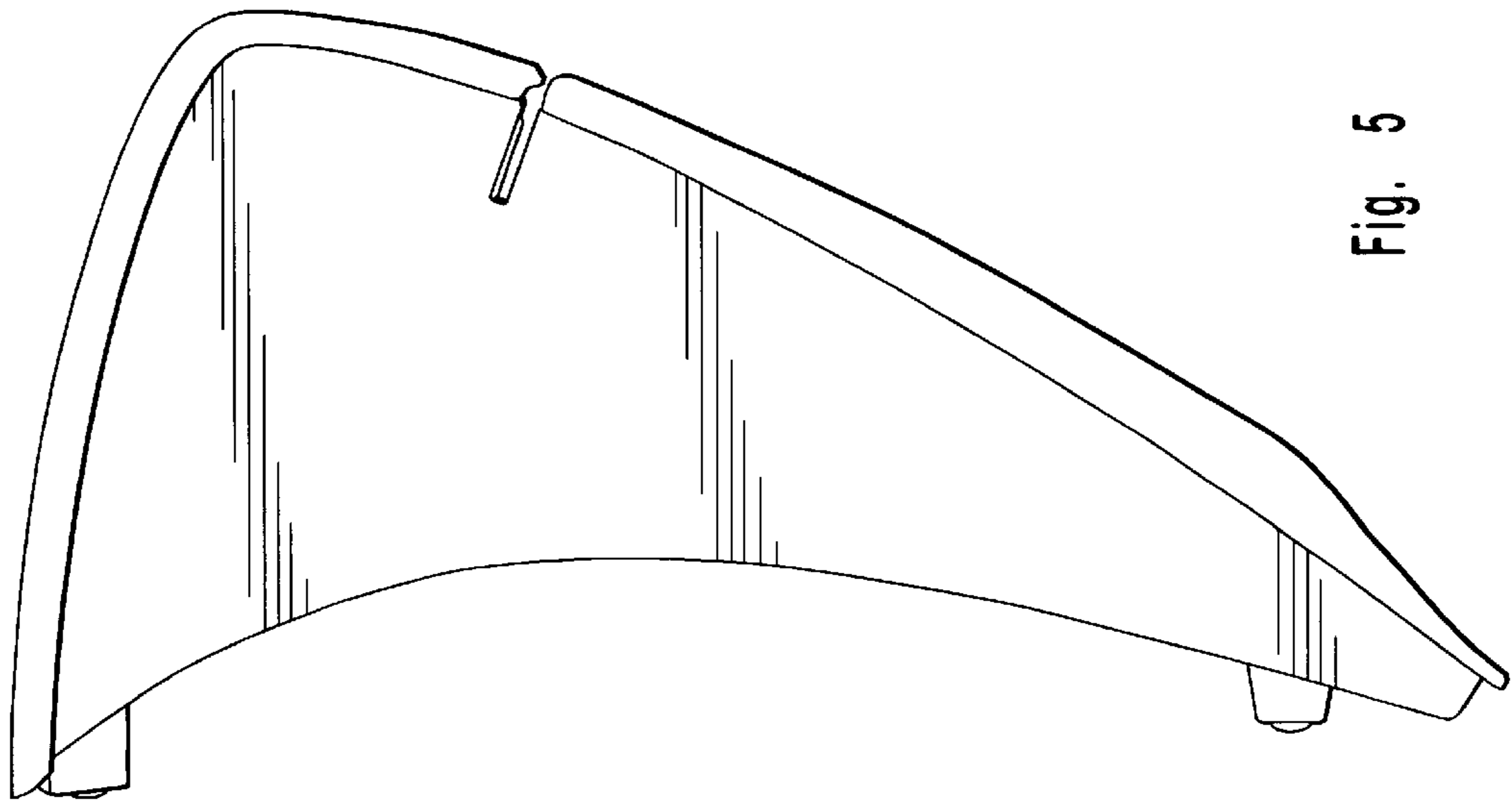


Fig. 5

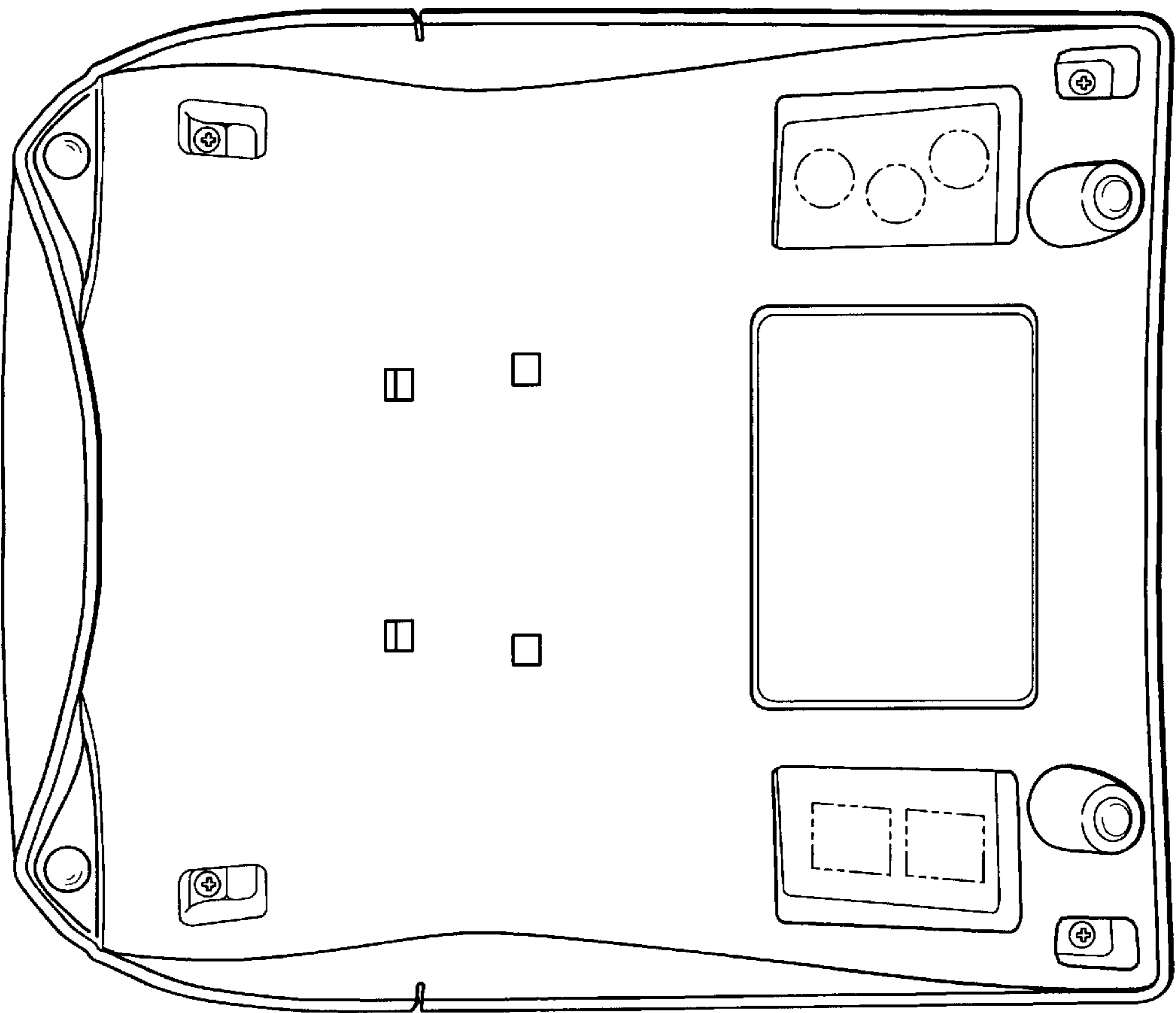


Fig. 4

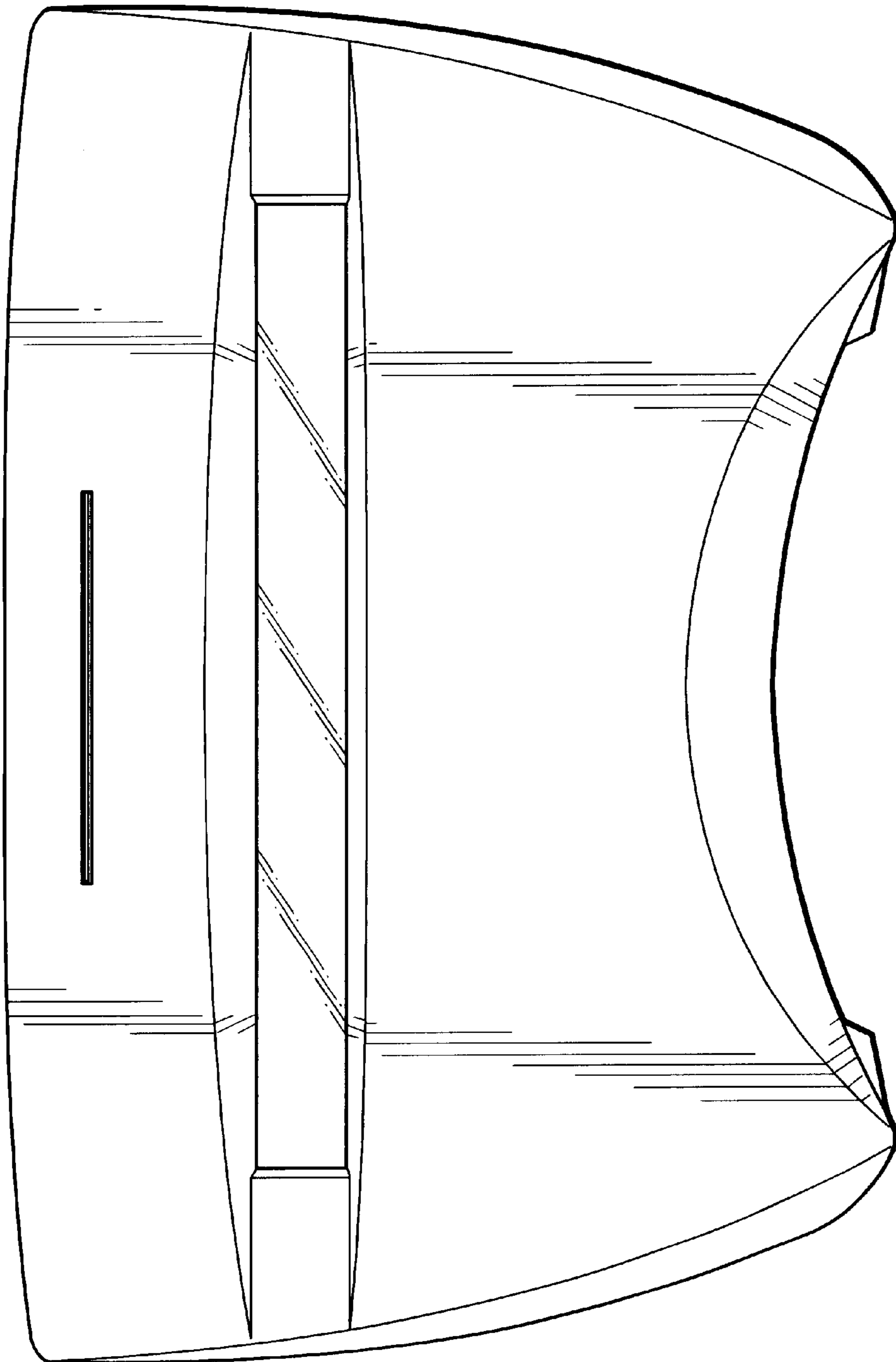


Fig. 6

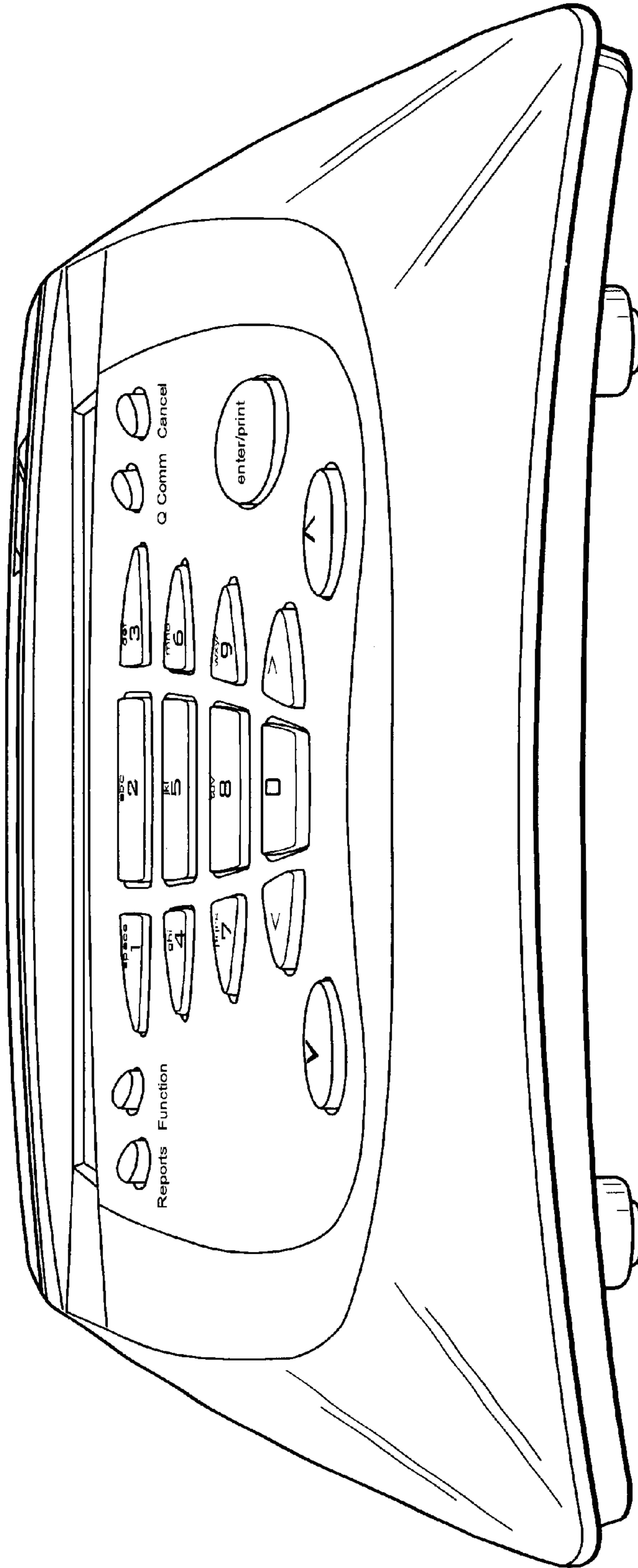


Fig. 7