



US00D486172S

(12) **United States Design Patent**
Senda

(10) **Patent No.:** **US D486,172 S**

(45) **Date of Patent:** **** Feb. 3, 2004**

(54) **CAMERA**

(75) **Inventor:** **Yutaka Senda, Tokyo (JP)**

(73) **Assignee:** **Fuji Photo Film Co., Ltd., Kanagawa (JP)**

(**) **Term:** **14 Years**

(21) **Appl. No.:** **29/177,893**

(22) **Filed:** **Mar. 19, 2003**

(30) **Foreign Application Priority Data**

Sep. 30, 2002 (JP) 2002-026823

(51) **LOC (7) Cl.** **16-05**

(52) **U.S. Cl.** **D16/219**

(58) **Field of Search** D16/200-205,
D16/208, 218, 219; 396/6, 7, 349, 535-541;
348/373-376

(56) **References Cited**

U.S. PATENT DOCUMENTS

D447,504 S 9/2001 Horikiri D16/218
D457,543 S * 5/2002 Petravic et al. D16/219
D463,472 S 9/2002 Horikiri D16/218
D465,504 S * 11/2002 Van Klinken D16/203
D467,603 S * 12/2002 Senda D16/219

D472,258 S * 3/2003 Yin et al. D16/202
D473,251 S * 4/2003 Katayama D16/218
D474,221 S * 5/2003 Cheng D16/218
2002/0110375 A1 * 8/2002 Takagi 396/349

* cited by examiner

Primary Examiner—Adir Aronovich

(74) *Attorney, Agent, or Firm*—Young & Thompson

(57) **CLAIM**

The ornamental design for a camera, as shown and described.

DESCRIPTION

FIG. 1 is a top, front and side perspective view of a camera showing my new design;

FIG. 2 is a front elevational view thereof;

FIG. 3 is rear elevational view thereof;

FIG. 4 is a top plan view thereof;

FIG. 5 is a side elevational view thereof from the right of FIG. 2; and,

FIG. 6 is a side elevational view thereof from the left of FIG. 2.

The portions of the camera in broken lines are shown for illustrative purposes only and form no part of the claimed design.

1 Claim, 3 Drawing Sheets

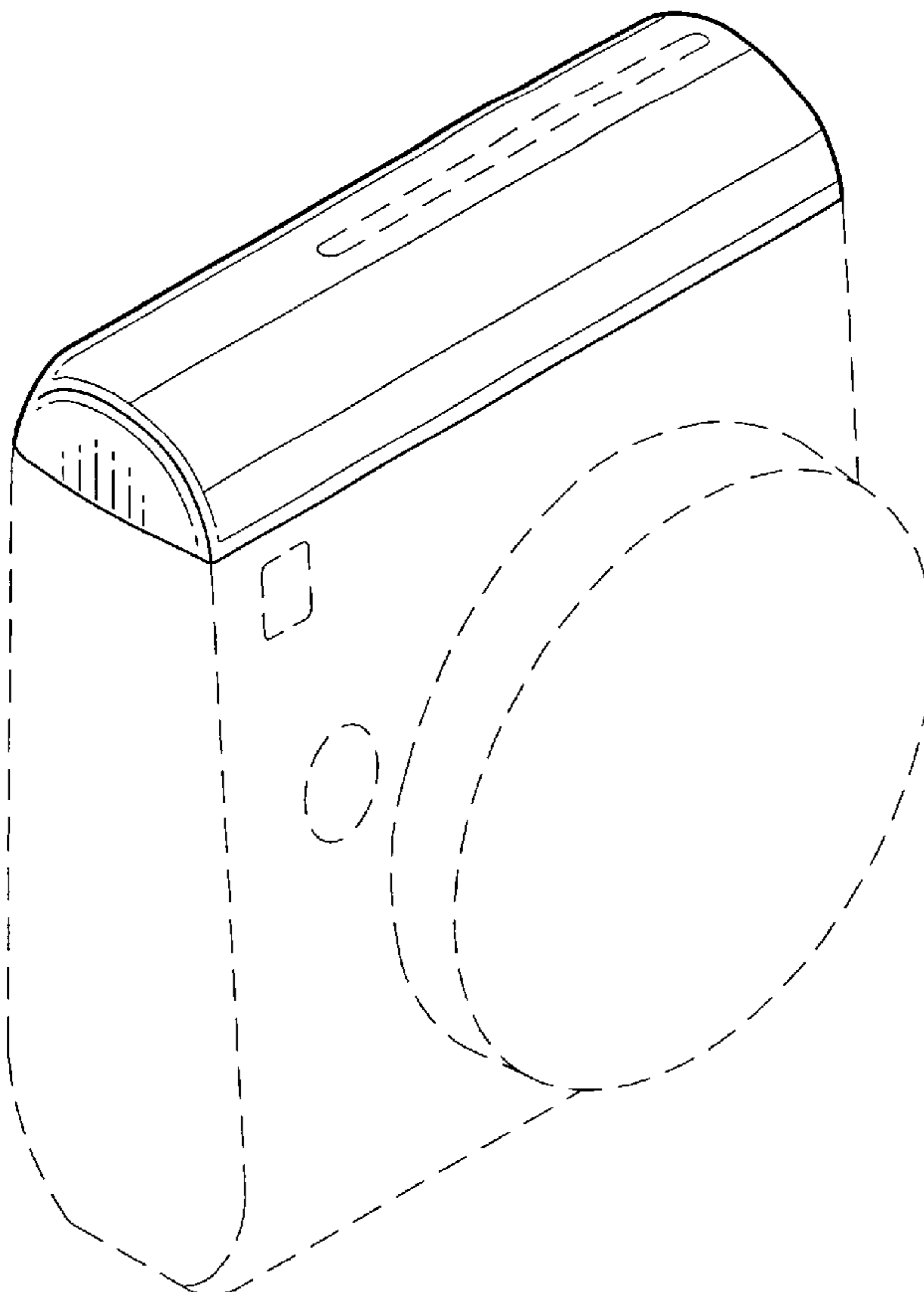


FIG. 1

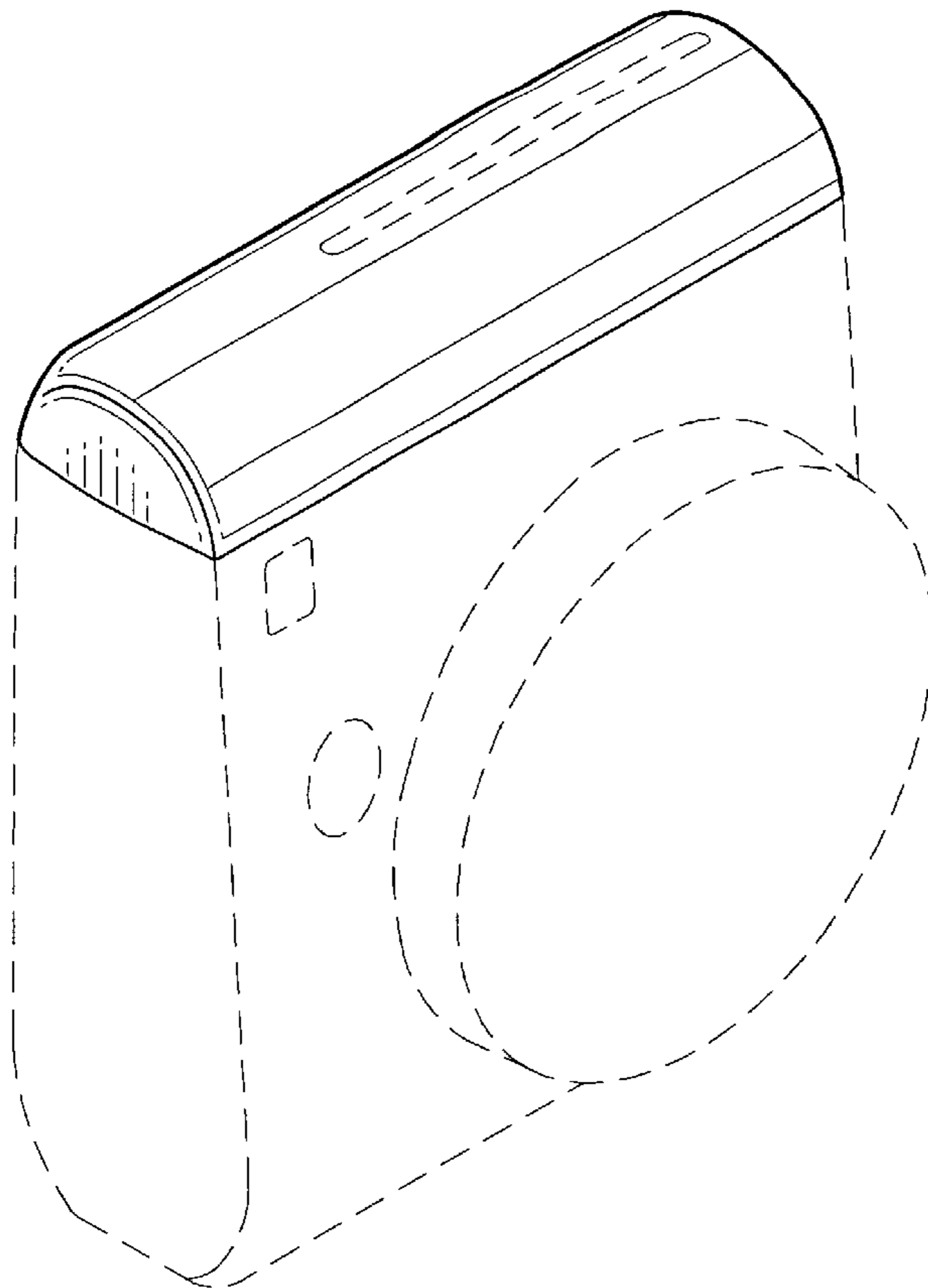


FIG. 2

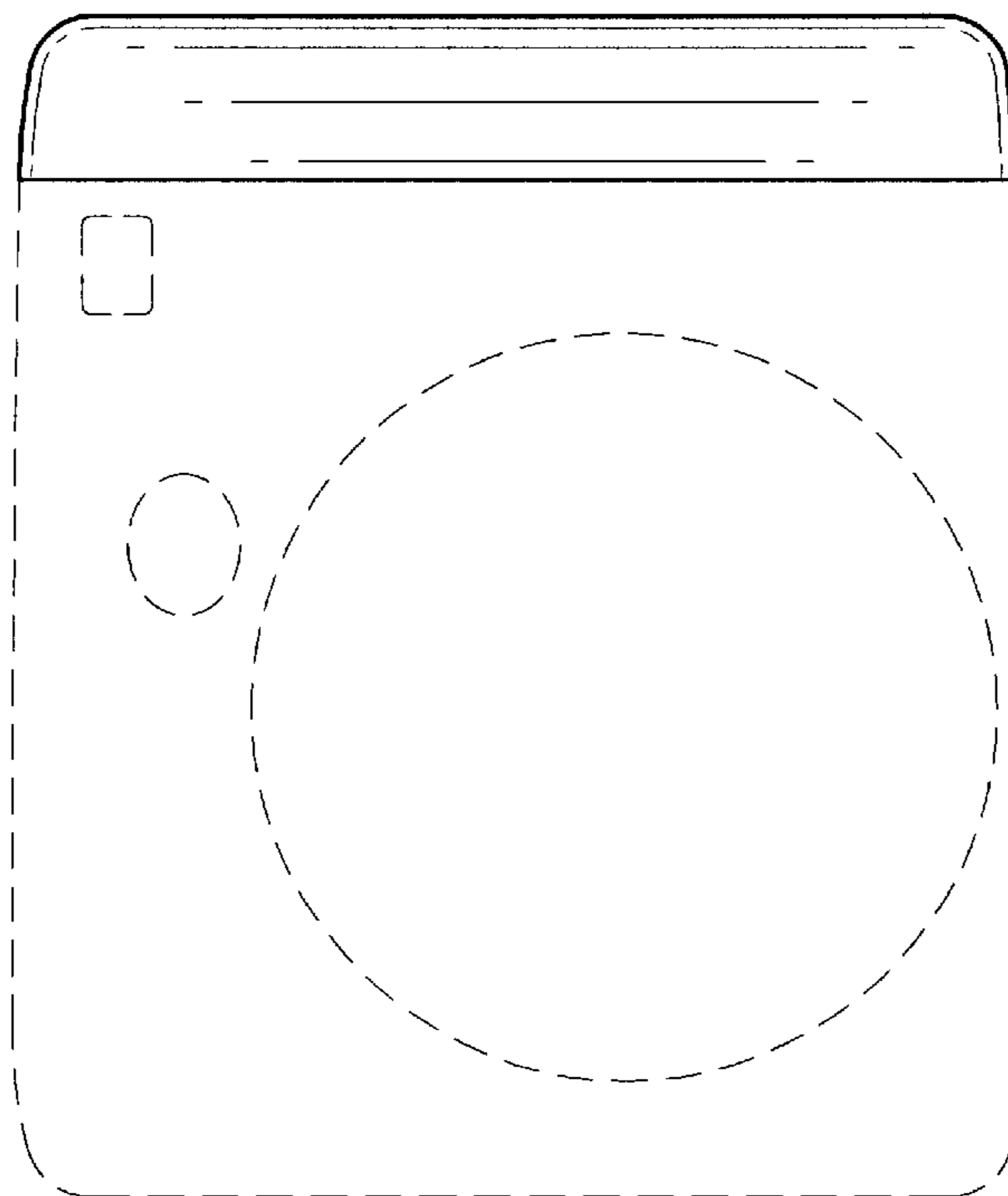


FIG. 3

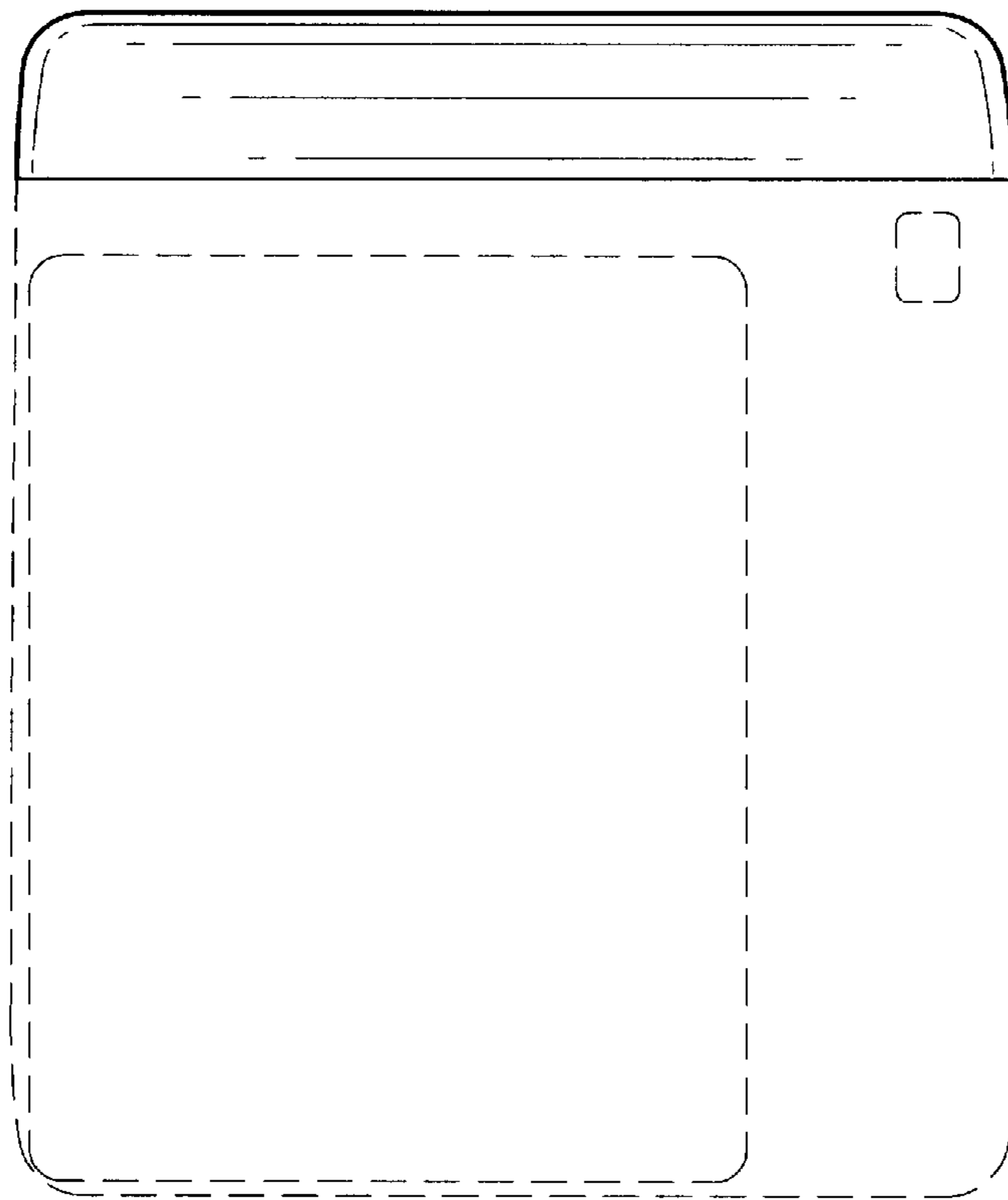


FIG. 4

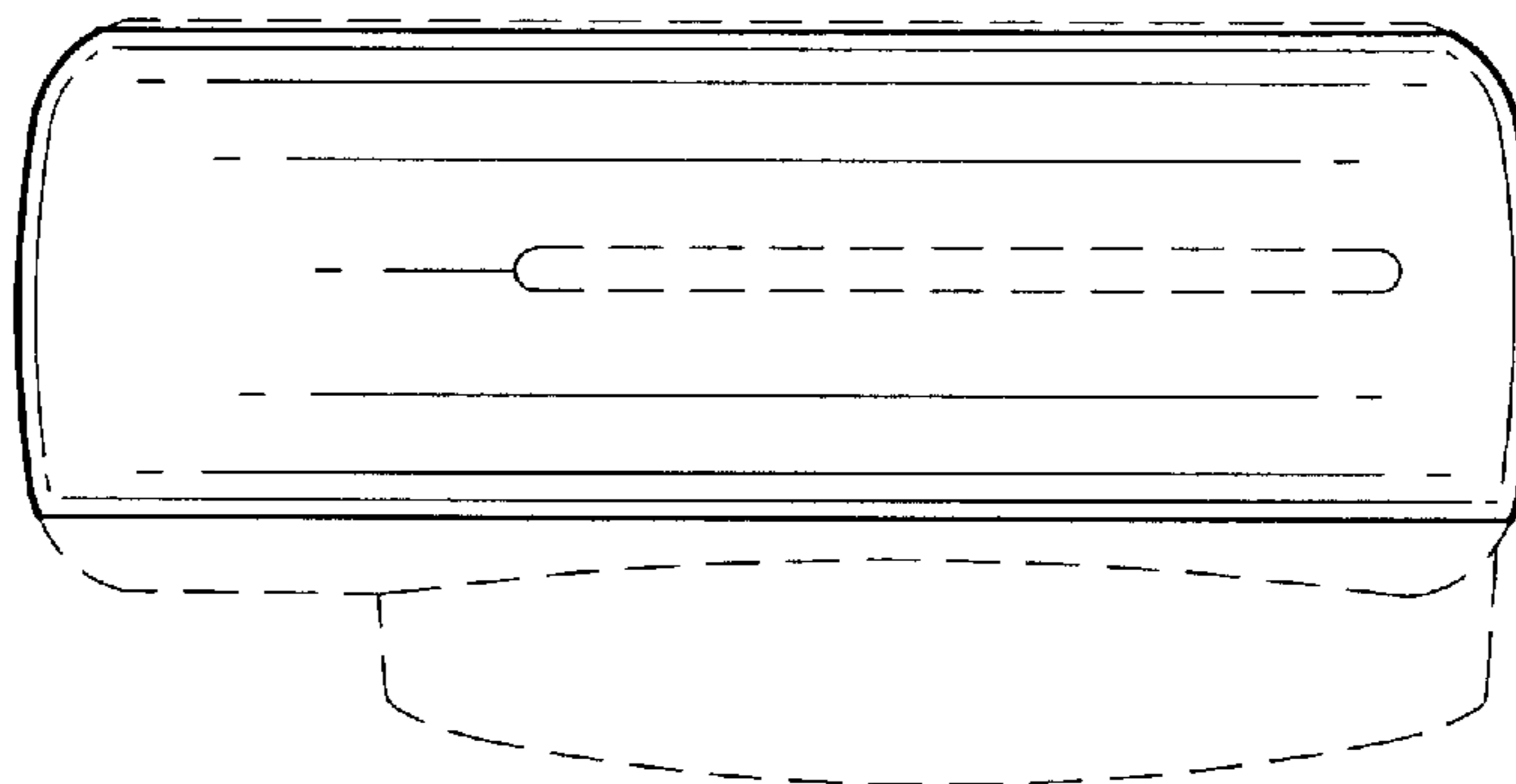


FIG. 5

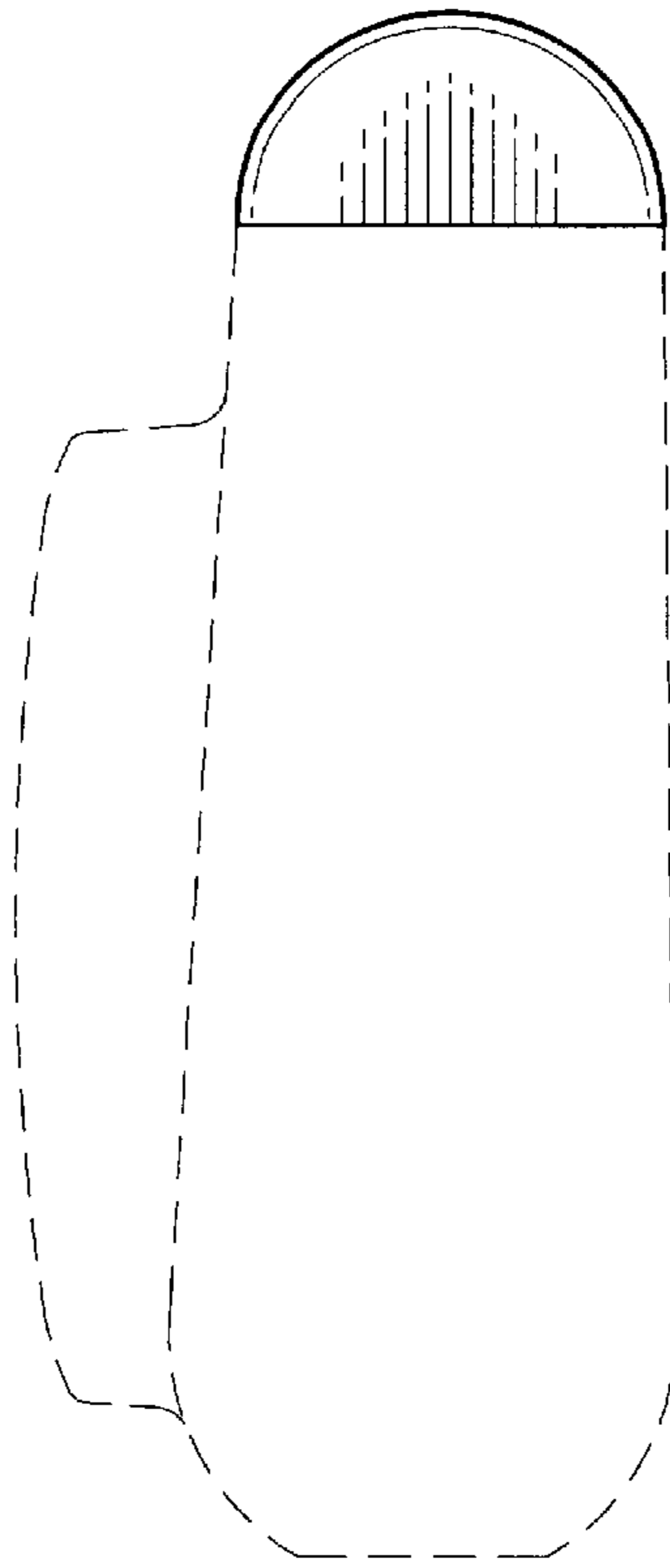


FIG. 6

