



US00D486171S

(12) **United States Design Patent**  
**Nishiura**

(10) **Patent No.:** **US D486,171 S**

(45) **Date of Patent:** **\*\* Feb. 3, 2004**

(54) **DISPLAY PANEL FOR AN ELECTRONIC STILL CAMERA**

(75) Inventor: **Yoshikuni Nishiura, Tokyo (JP)**

(73) Assignee: **Fuji Photo Film Co., Ltd., Kanagawa (JP)**

(\*\*) Term: **14 Years**

(21) Appl. No.: **29/171,015**

(22) Filed: **Nov. 15, 2002**

(30) **Foreign Application Priority Data**

May 17, 2002 (JP) ..... 2002-013208

(51) **LOC (7) Cl.** ..... **16-05**

(52) **U.S. Cl.** ..... **D16/219**

(58) **Field of Search** ..... D16/200-204,  
D16/208, 218, 219, 237; D20/10; 348/373-376;  
358/909.1; 396/287, 291, 292, 535

(56) **References Cited**

**U.S. PATENT DOCUMENTS**

D219,396 S \* 12/1970 Bodkins ..... D16/219

D297,644 S \* 9/1988 Sugiyama et al. .... D16/219

D408,044 S \* 4/1999 Tanaka et al. .... D16/202

6,021,280 A \* 2/2000 Osato et al. .... 396/287

D422,291 S \* 4/2000 Senda ..... D16/202

D472,262 S \* 3/2003 Miyashita ..... D16/219

\* cited by examiner

*Primary Examiner*—Adir Aronovich

(74) *Attorney, Agent, or Firm*—Young & Thompson

(57) **CLAIM**

The ornamental design for a display panel for an electronic still camera, as shown and described.

**DESCRIPTION**

FIG. 1 is a top, front and side perspective view of a display panel for an electronic still camera, showing my new design; FIG. 2 is a front elevational view thereof; and, FIG. 3 is an enlargement of a portion of FIG. 2.

The broken line representation of an electronic still camera forms no part of the claimed design and is shown only to illustrate the environment of the device whose design is claimed.

**1 Claim, 3 Drawing Sheets**

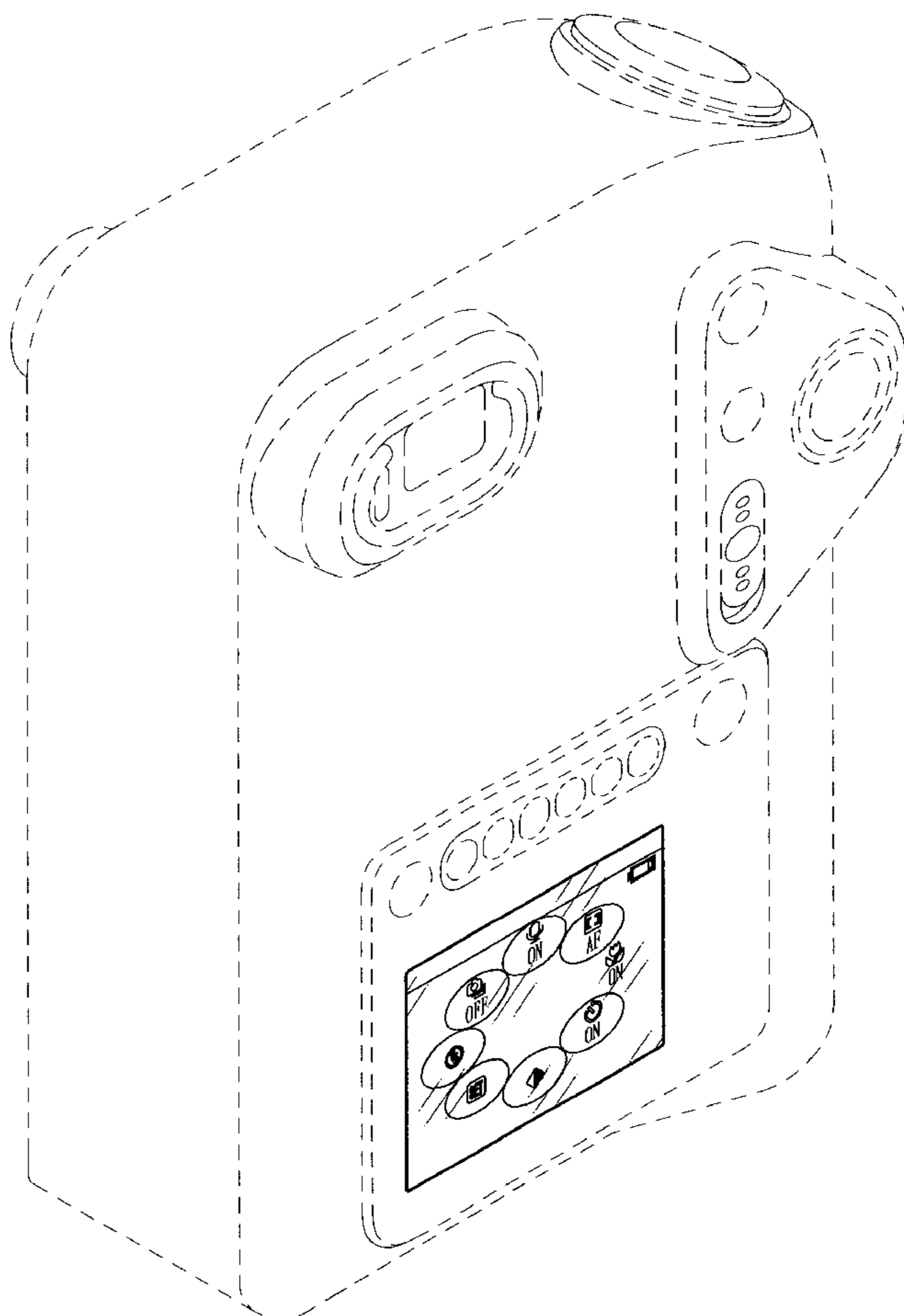


FIG. 1

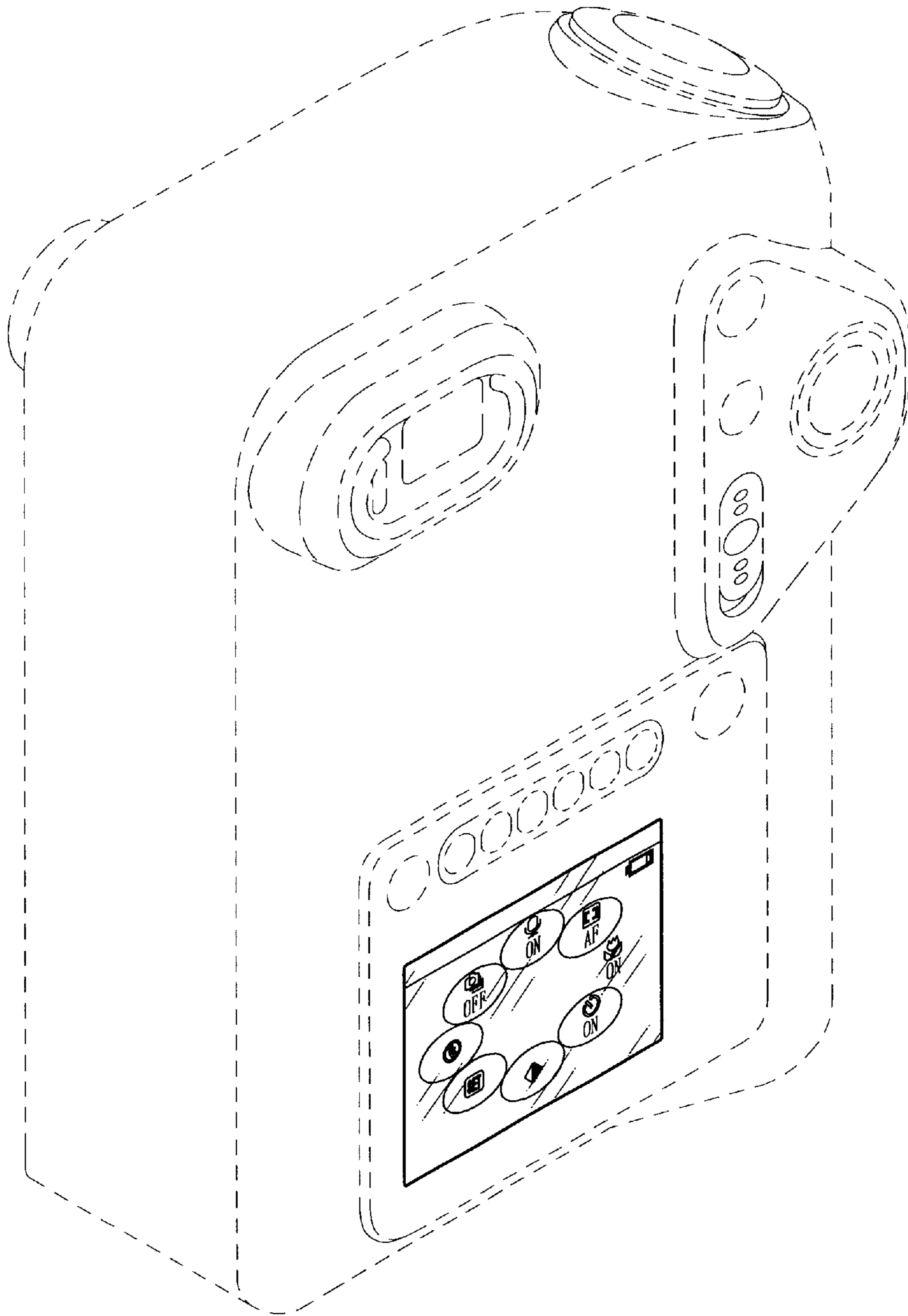


FIG. 2

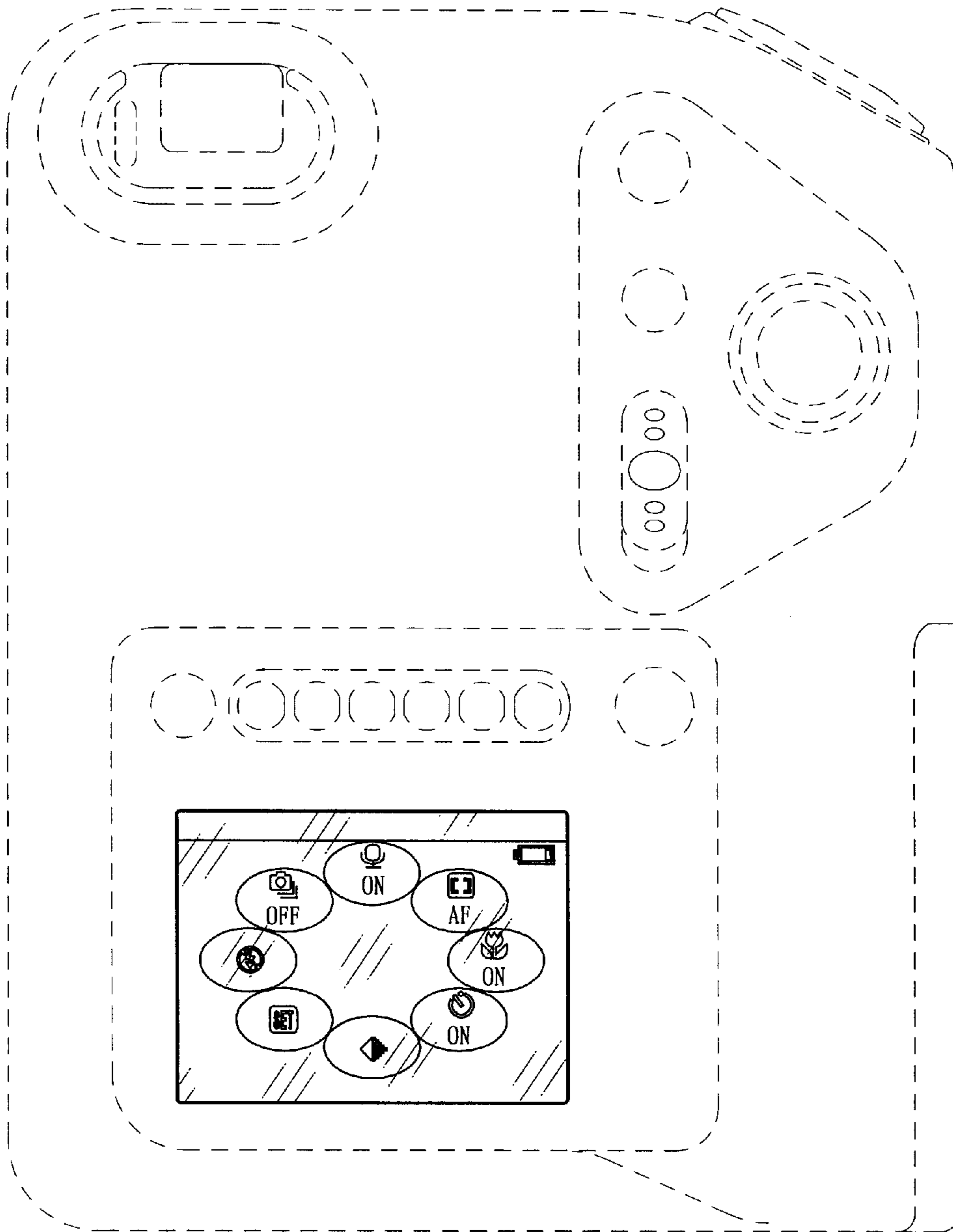


FIG. 3

