



US00D486168S

(12) **United States Design Patent**
Nakamura

(10) **Patent No.:** **US D486,168 S**

(45) **Date of Patent:** **** Feb. 3, 2004**

(54) **DIGITAL STILL CAMERA**

(75) Inventor: **Makoto Nakamura**, Kyoto (JP)
(73) Assignee: **Matsushita Electric Industrial Co., Ltd.**, Osaka (JP)
(**) Term: **14 Years**

(21) Appl. No.: **29/177,073**
(22) Filed: **Mar. 3, 2003**

(30) **Foreign Application Priority Data**

Sep. 9, 2002 (JP) 2002-024411

(51) **LOC (7) Cl.** **16-01**
(52) **U.S. Cl.** **D16/202**
(58) **Field of Search** D16/200-206,
D16/208, 218; 348/373-376; 358/909.1;
396/535-541

(56) **References Cited**

U.S. PATENT DOCUMENTS

5,678,101 A * 10/1997 Mogamiya et al. 348/375
D424,084 S * 5/2000 Senda D16/202
D432,150 S * 10/2000 Senda D16/202
D441,001 S * 4/2001 Naito D16/218
D462,978 S * 9/2002 Nicklos et al. D16/218

OTHER PUBLICATIONS

Catalog published by Panasonic DMC-JJSOG04, Apr. 1, 2002.
Catalog by LC40 LUMX DMC-LC5 published prior to Sep. 2002.
* cited by examiner

Primary Examiner—Adir Aronovich
(74) *Attorney, Agent, or Firm*—Brinks Hofer Gilson & Lione

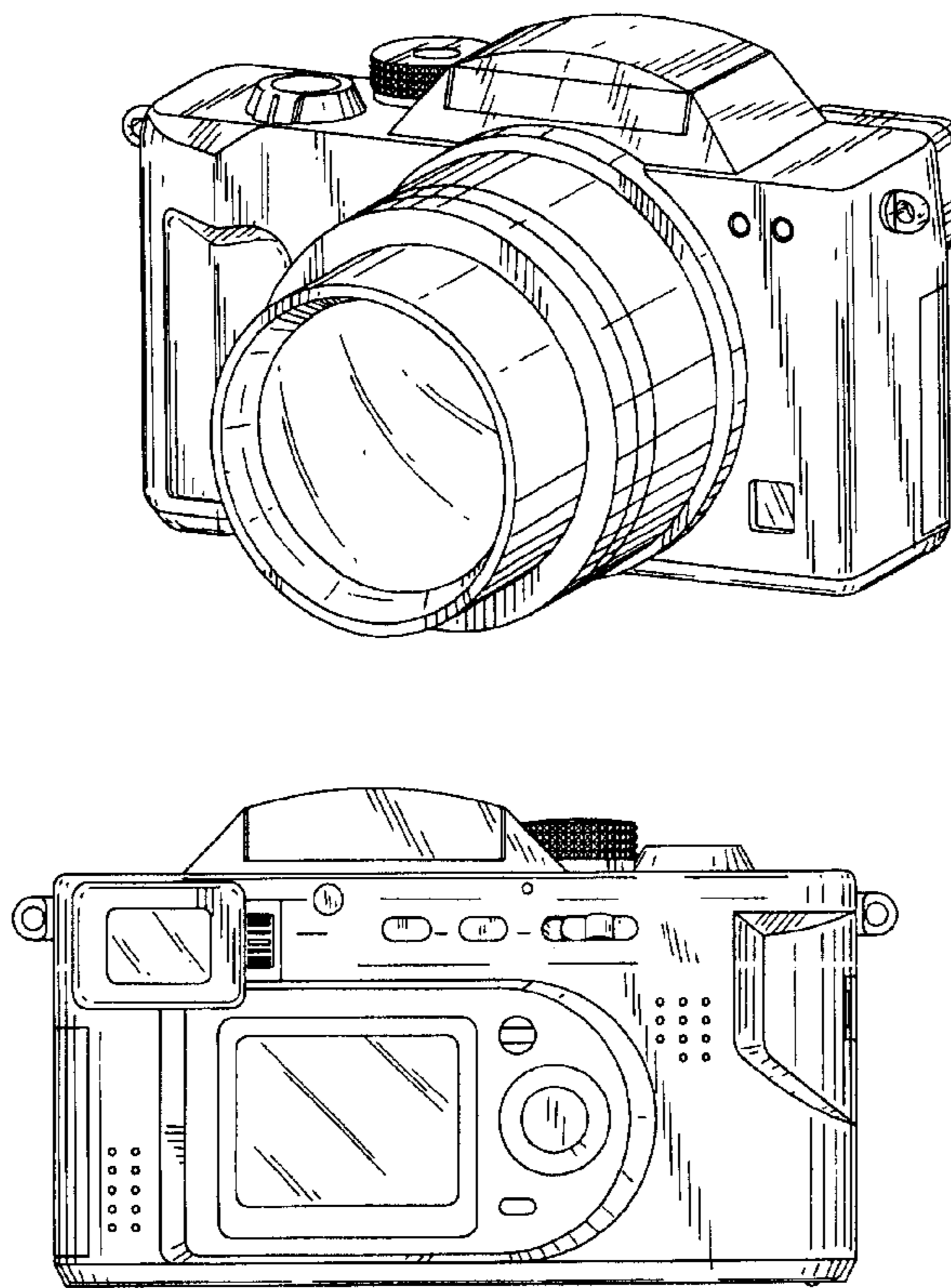
(57) **CLAIM**

The ornamental design for a digital still camera, as shown and described.

DESCRIPTION

FIG. 1 is a top perspective view of a digital still camera of the present invention;
FIG. 2 is a front view thereof;
FIG. 3 is a rear view thereof;
FIG. 4 is a first side view thereof;
FIG. 5 is a second side view thereof;
FIG. 6 is a top view thereof; and,
FIG. 7 is a bottom view thereof.

1 Claim, 4 Drawing Sheets



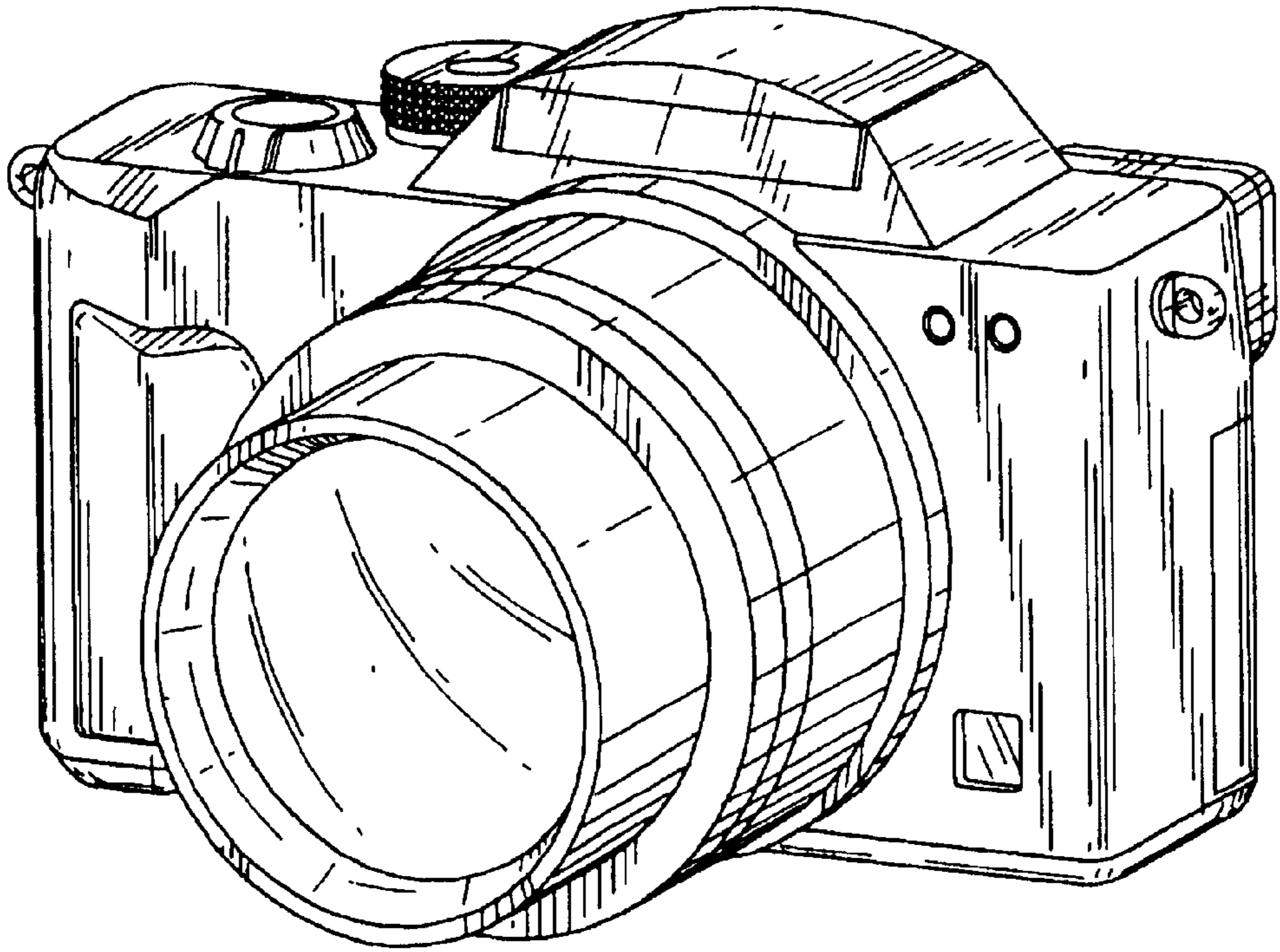


FIG. 1

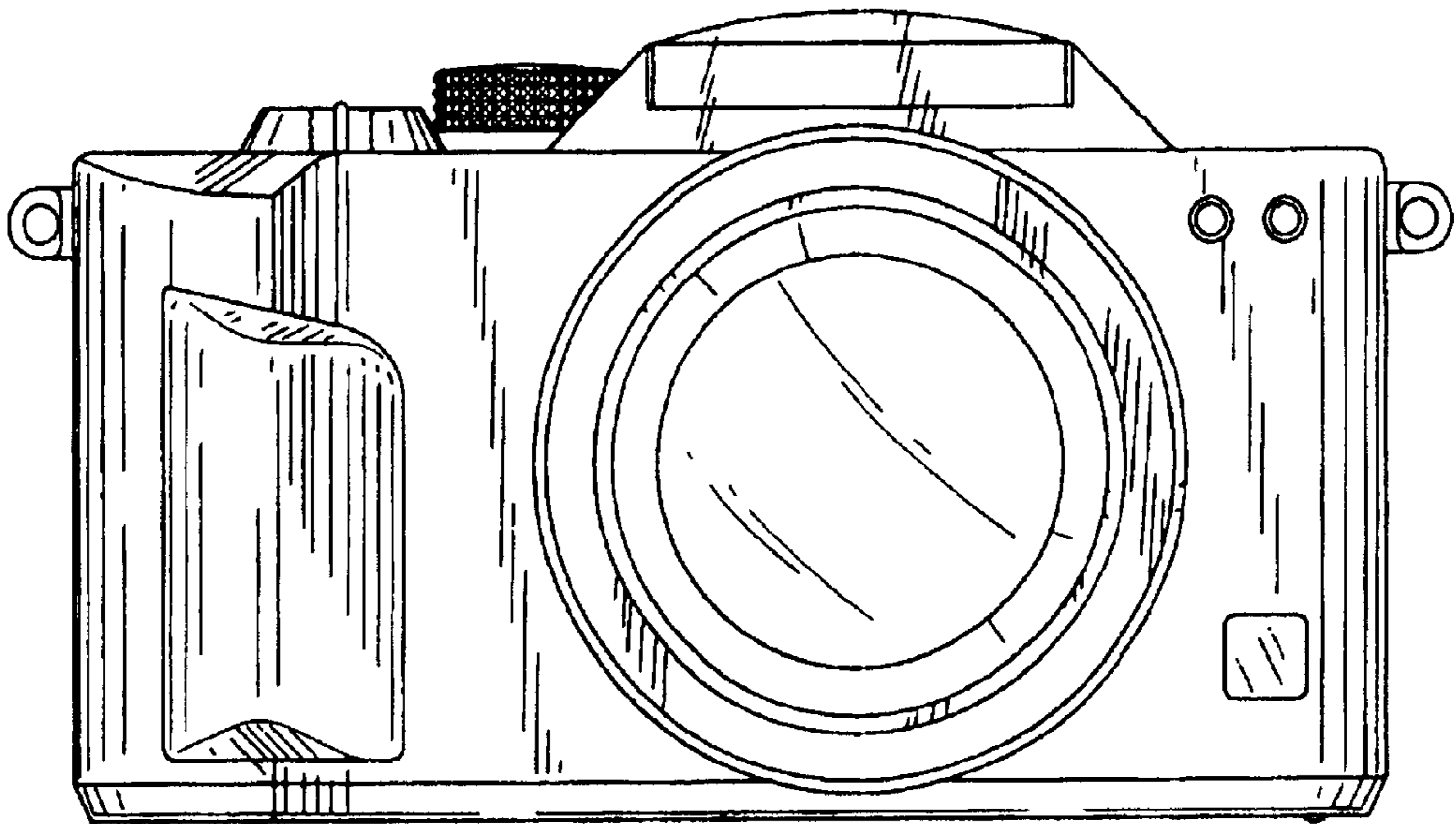


FIG. 2

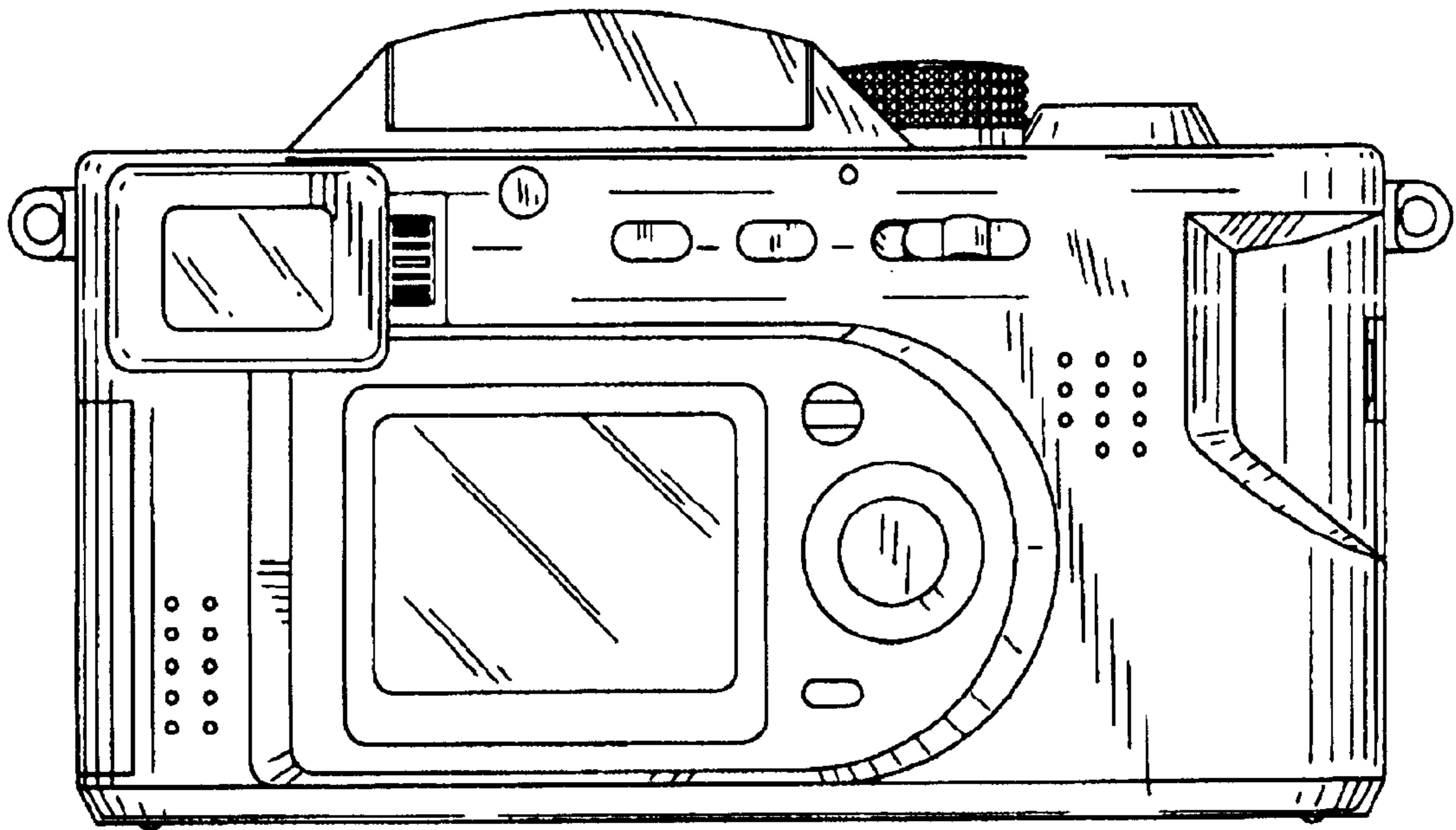


FIG. 3

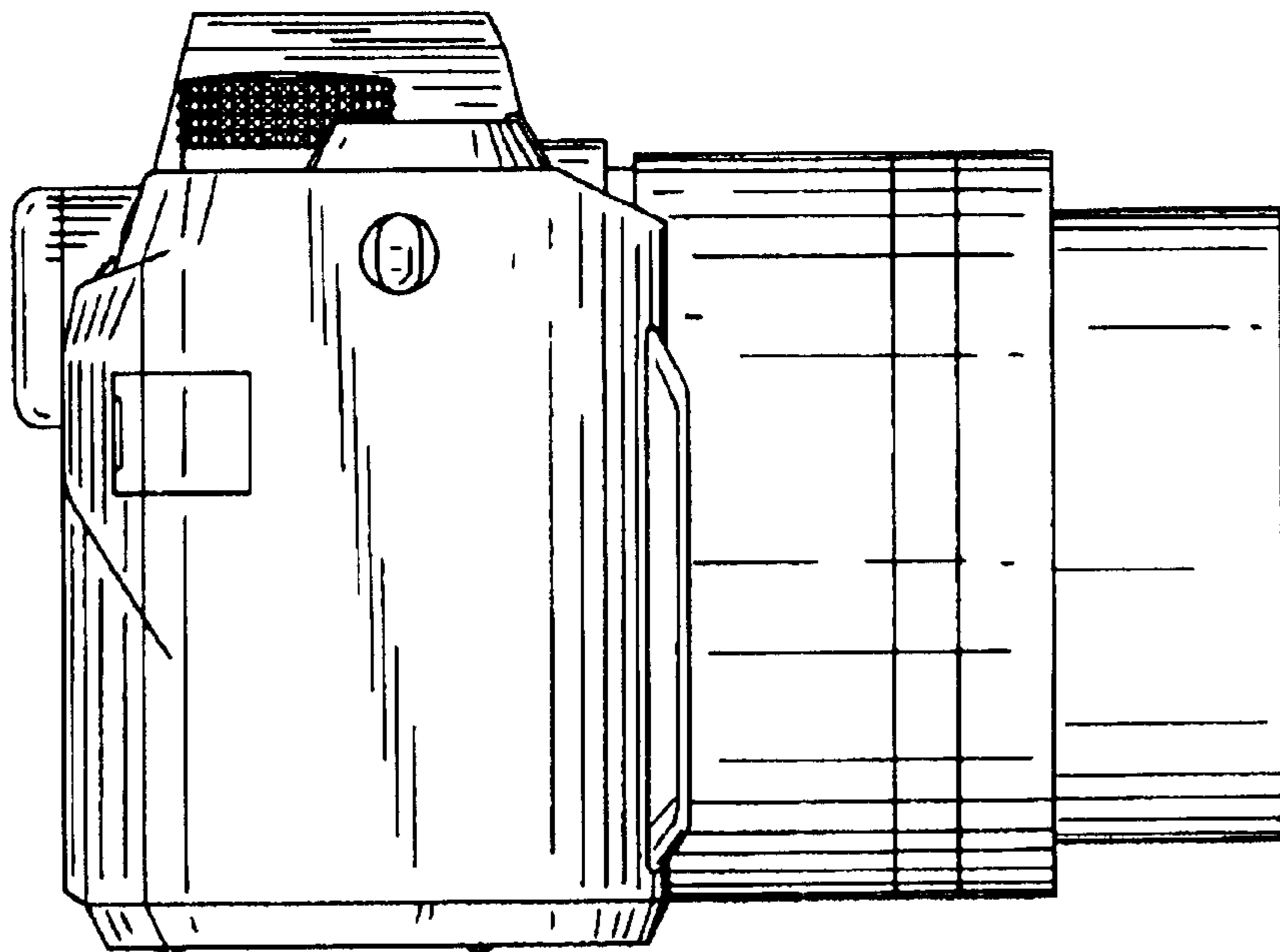


FIG. 4

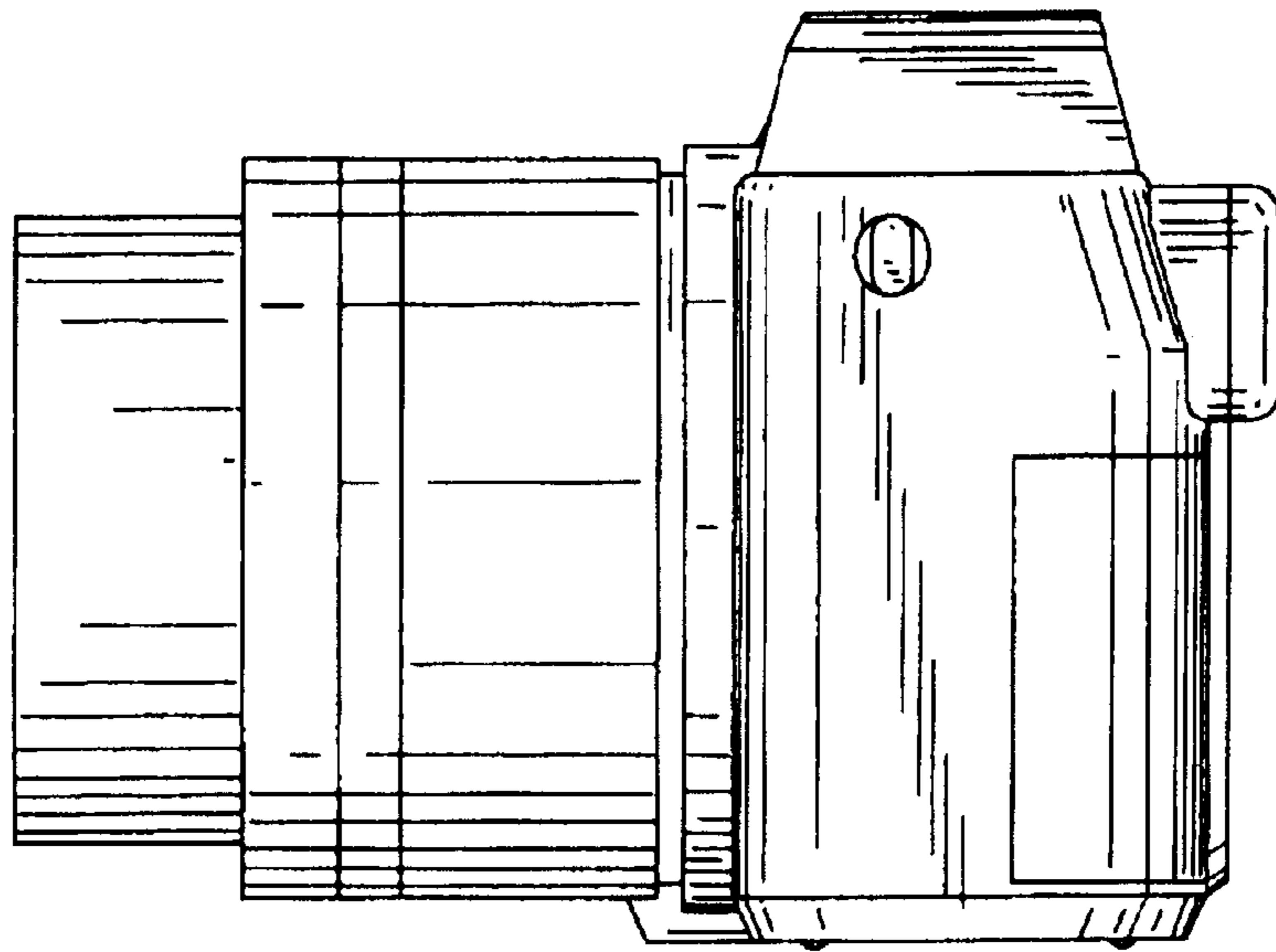


FIG. 5

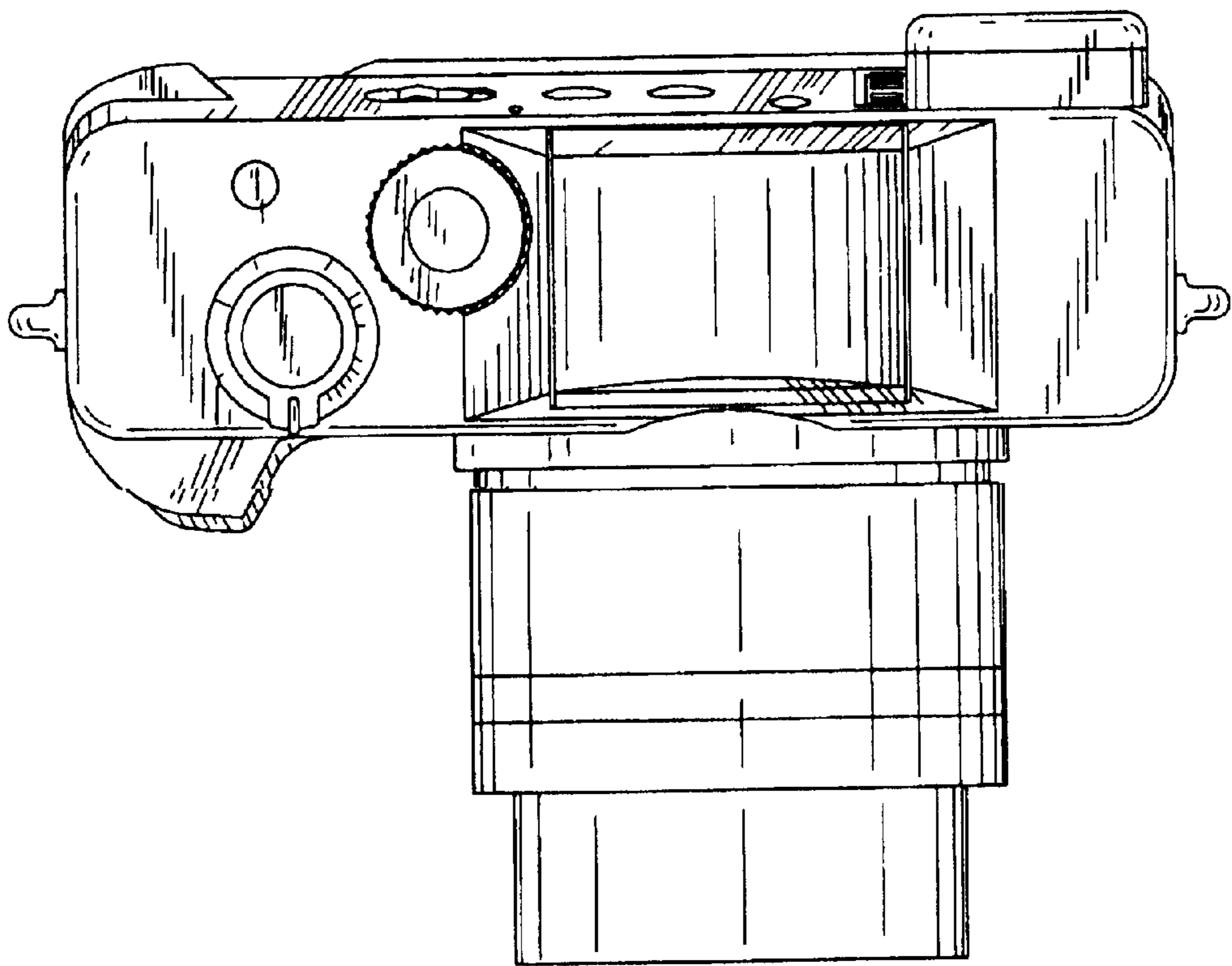


FIG. 6

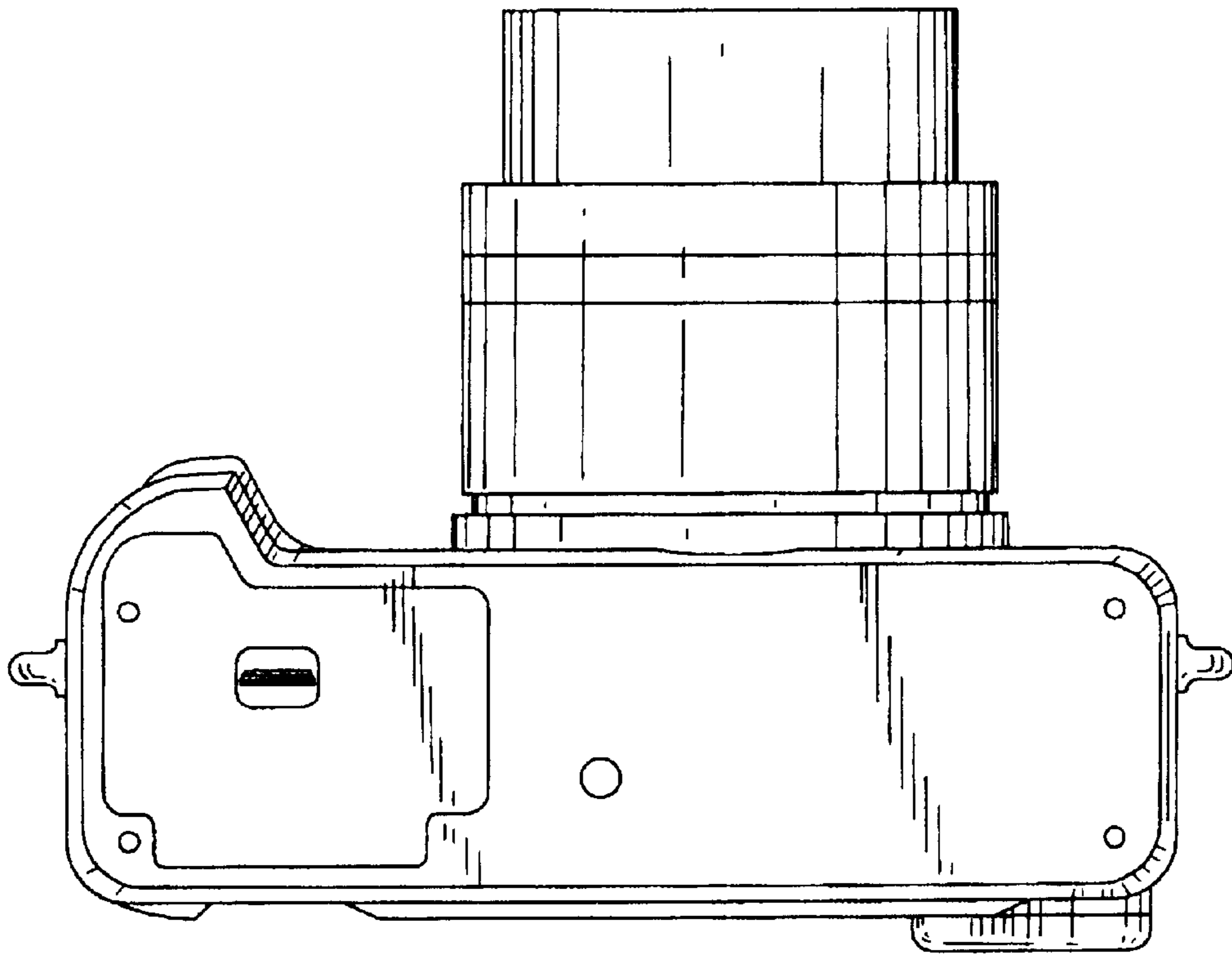


FIG. 7