



US00D486167S

(12) **United States Design Patent**
Sekine et al.

(10) **Patent No.:** **US D486,167 S**

(45) **Date of Patent:** **** Feb. 3, 2004**

(54) **DIGITAL CAMERA**

(75) Inventors: **Tetsuya Sekine, Kawasaki (JP); Yuji Kondoh, Yokohama (JP)**

(73) Assignee: **Canon Kabushiki Kaisha, Tokyo (JP)**

(**) Term: **14 Years**

(21) Appl. No.: **29/176,230**

(22) Filed: **Feb. 21, 2003**

(30) **Foreign Application Priority Data**

Aug. 26, 2002 (JP) 2002-022763

(51) **LOC (7) Cl.** **16-01**

(52) **U.S. Cl.** **D16/202**

(58) **Field of Search** D16/200-204,
D16/208, 209, 217, 218; 348/373-376;
358/909.1; 396/535-541

(56) **References Cited**

U.S. PATENT DOCUMENTS

- D415,508 S * 10/1999 Shinano D16/202
- D430,187 S * 8/2000 Naito D16/218
- D448,396 S * 9/2001 Miyazawa D16/202
- D456,435 S * 4/2002 Hisatomi et al. D16/202

- D462,705 S * 9/2002 Hamamura D16/202
- D466,914 S 12/2002 Kumakura D16/202
- 6,553,188 B2 * 4/2003 Tanaka 396/535

FOREIGN PATENT DOCUMENTS

JP HA13018457 10/2002

* cited by examiner

Primary Examiner—Adir Aronovich

(74) *Attorney, Agent, or Firm*—Fitzpatrick, Cella, Harper & Scinto

(57) **CLAIM**

The ornamental design for a digital camera, as shown and described.

DESCRIPTION

FIG. 1 is a front view of a digital camera showing our new design;
 FIG. 2 is a rear view thereof;
 FIG. 3 is a top plan view thereof;
 FIG. 4 is a bottom plan view thereof;
 FIG. 5 is a left side view thereof;
 FIG. 6 is a right side view thereof; and,
 FIG. 7 is a perspective view thereof.

1 Claim, 4 Drawing Sheets

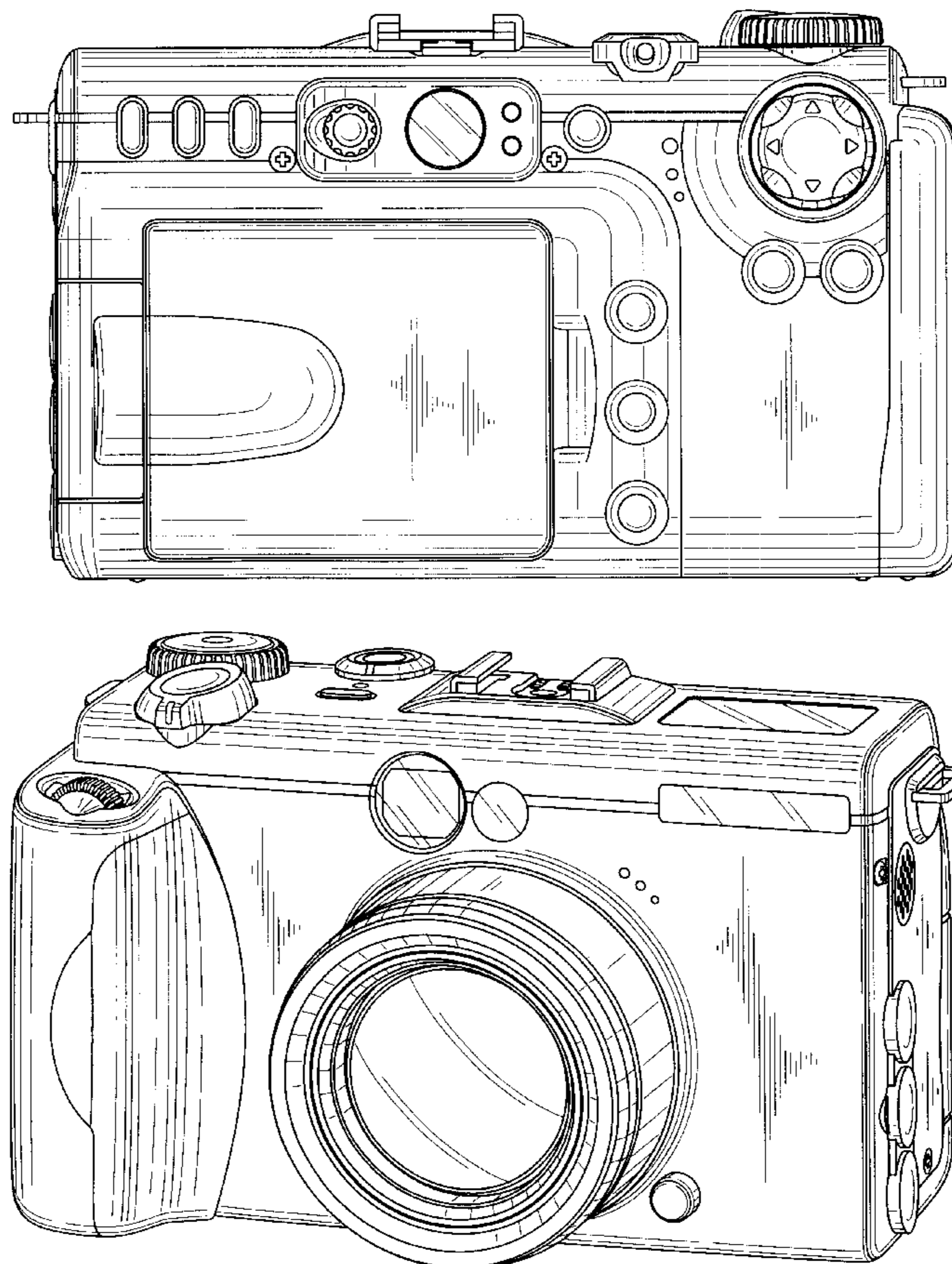


FIG. 1

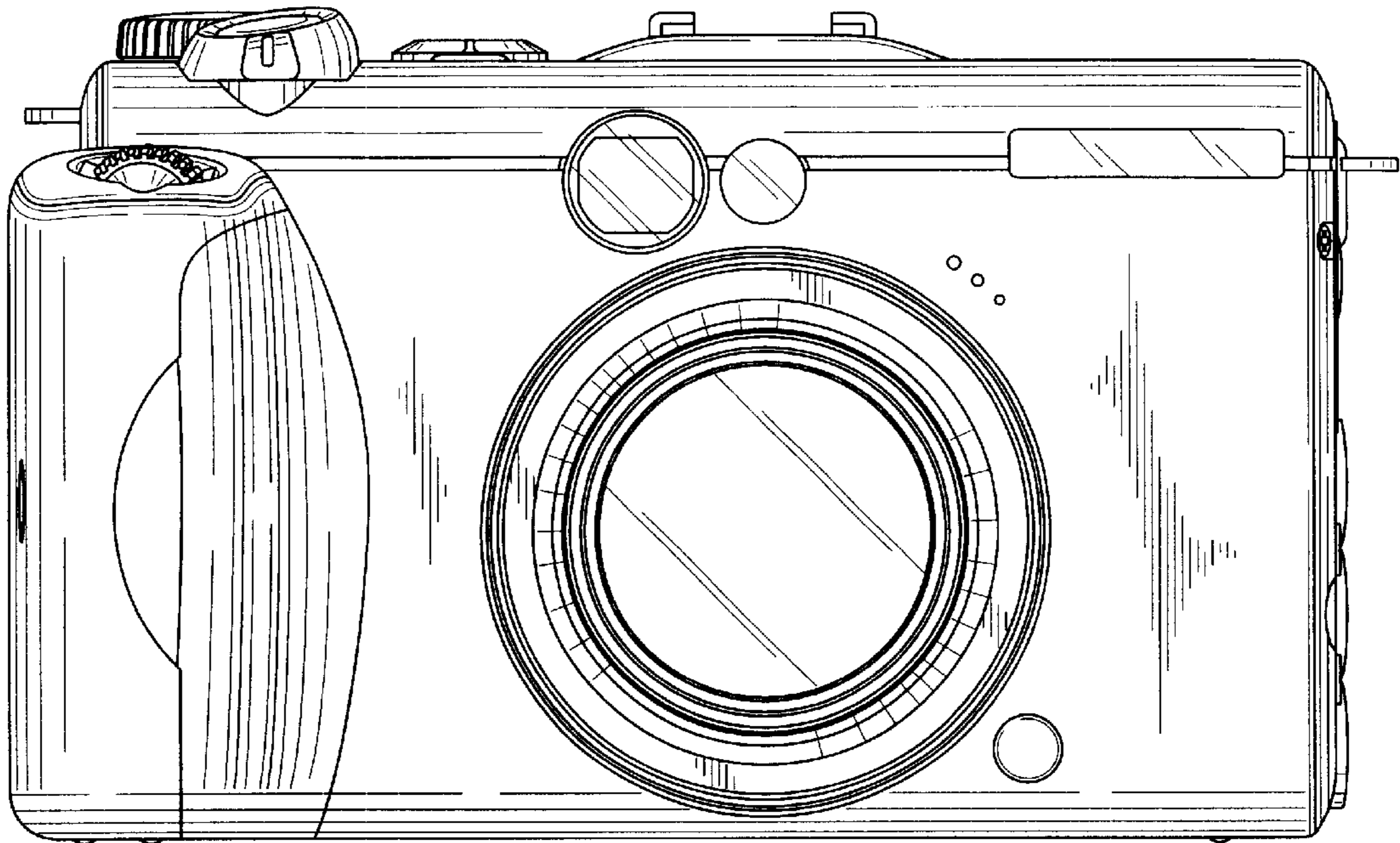


FIG. 2

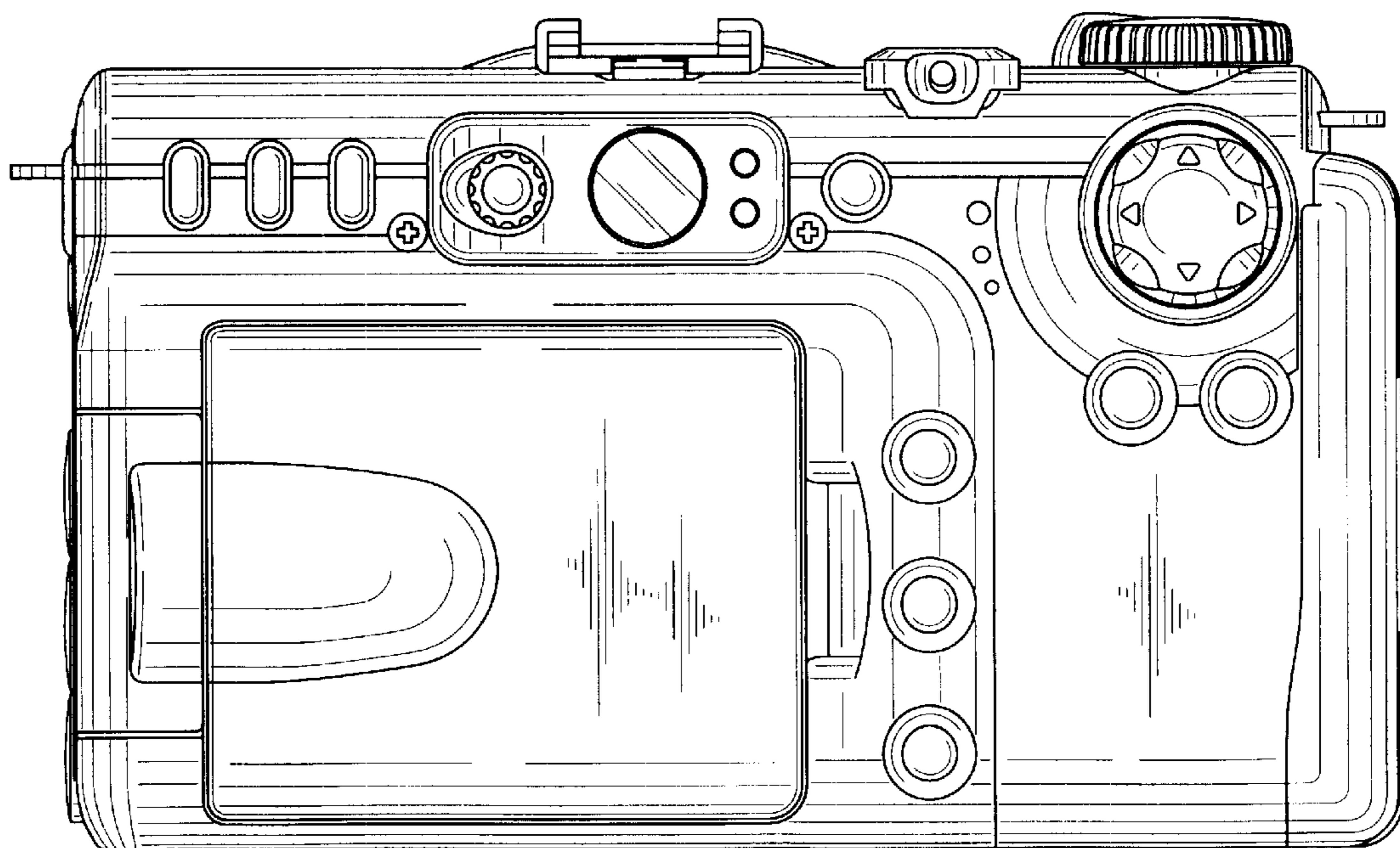


FIG. 3

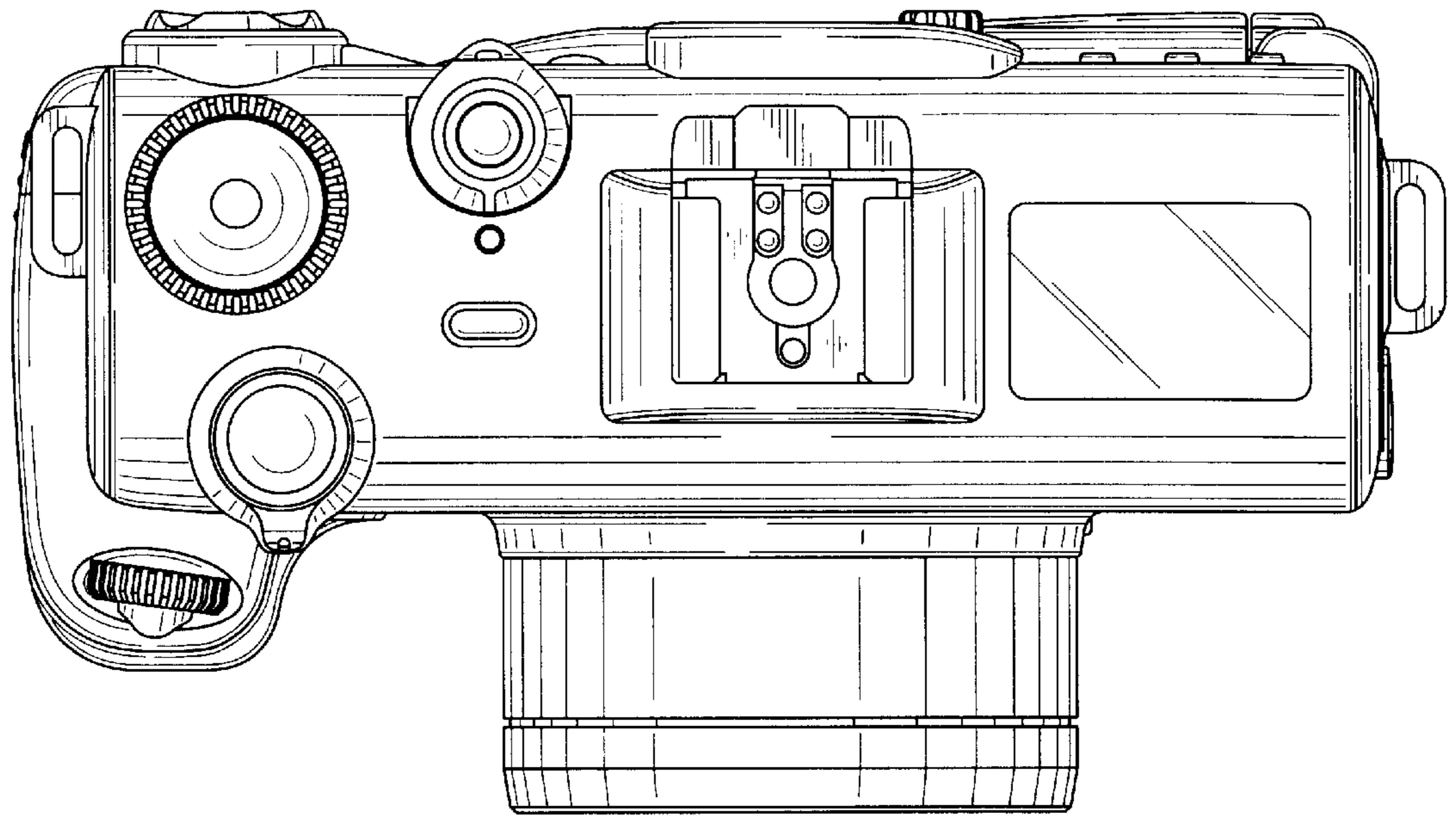


FIG. 4

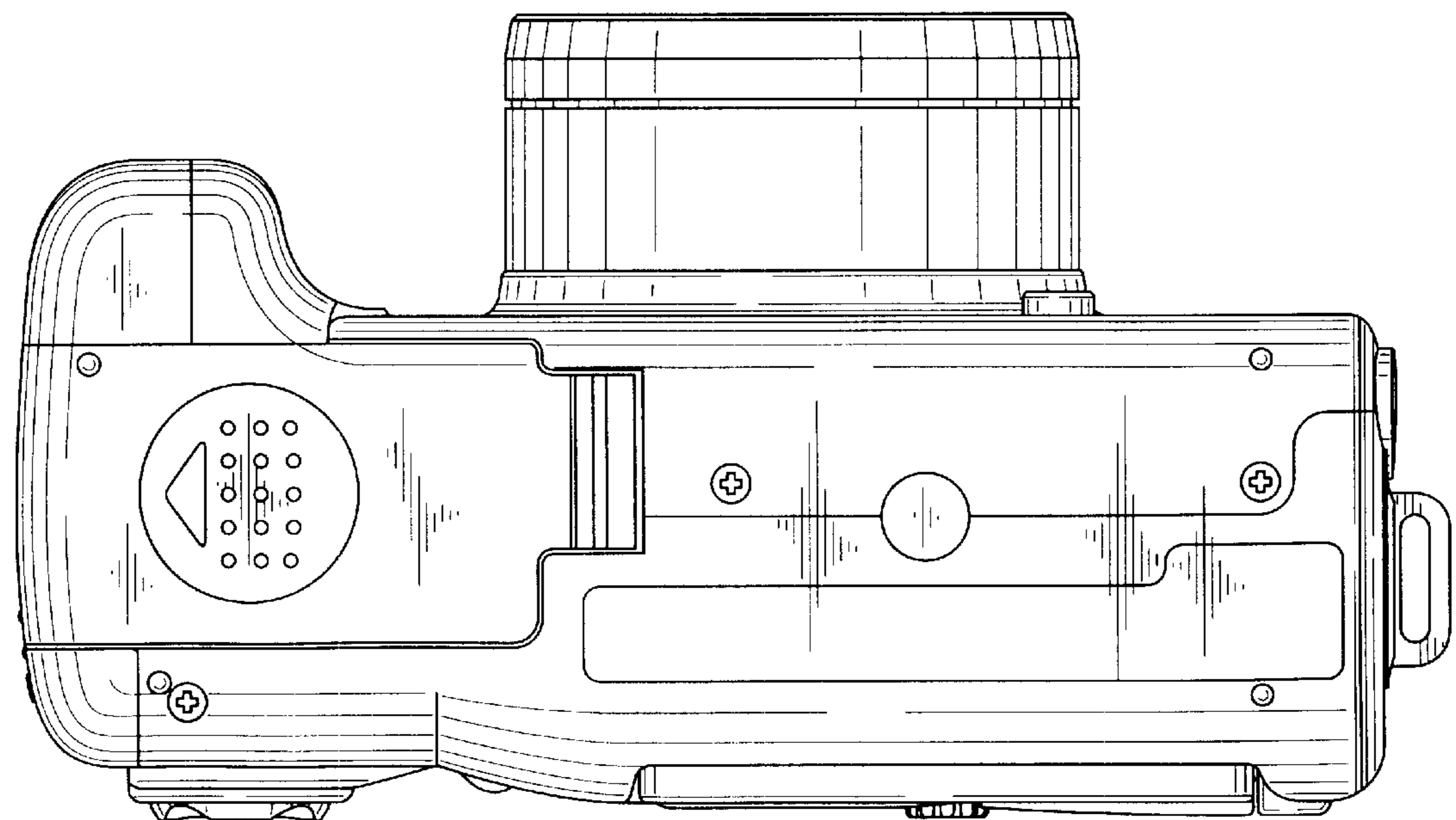


FIG. 5

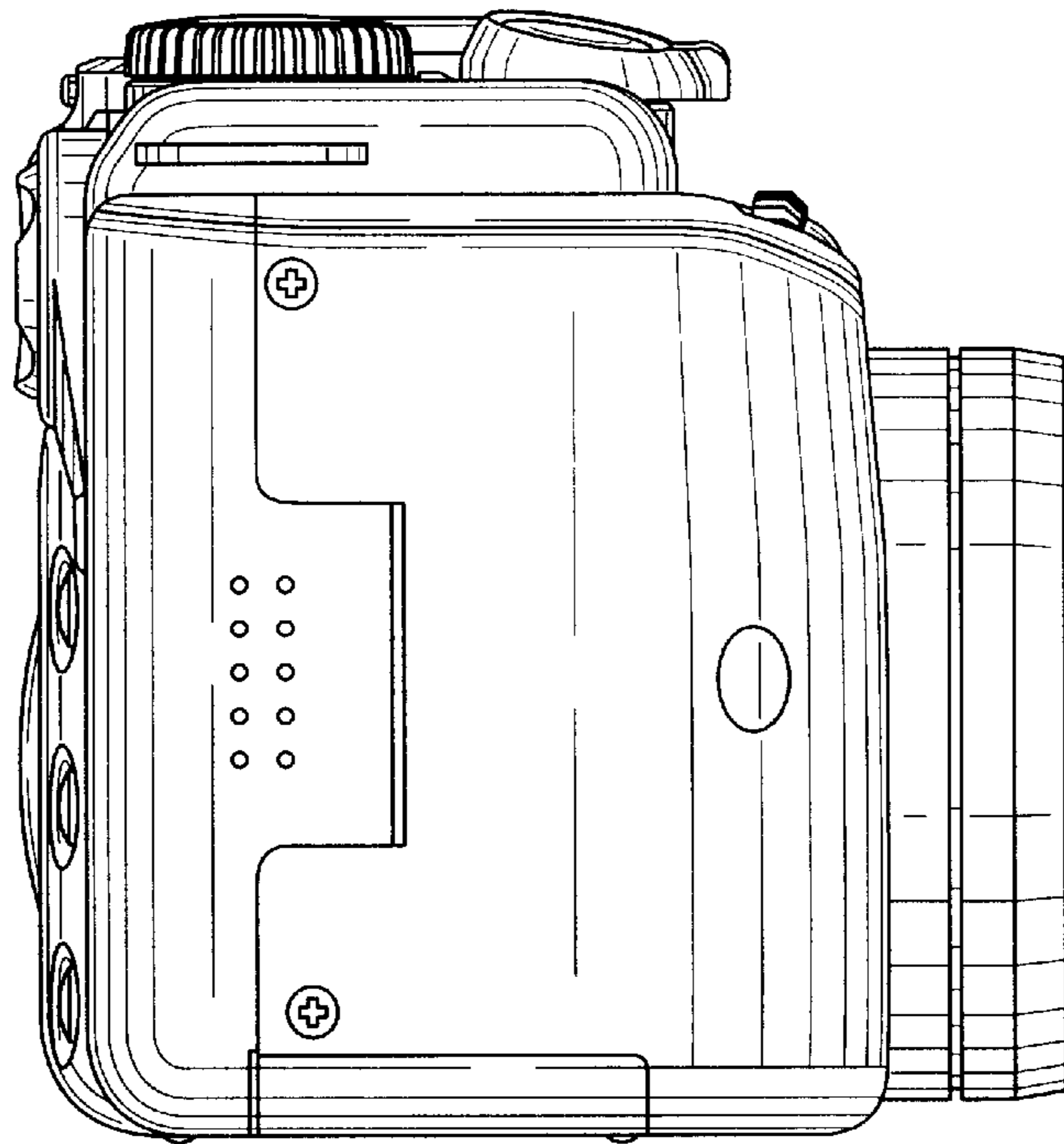


FIG. 6

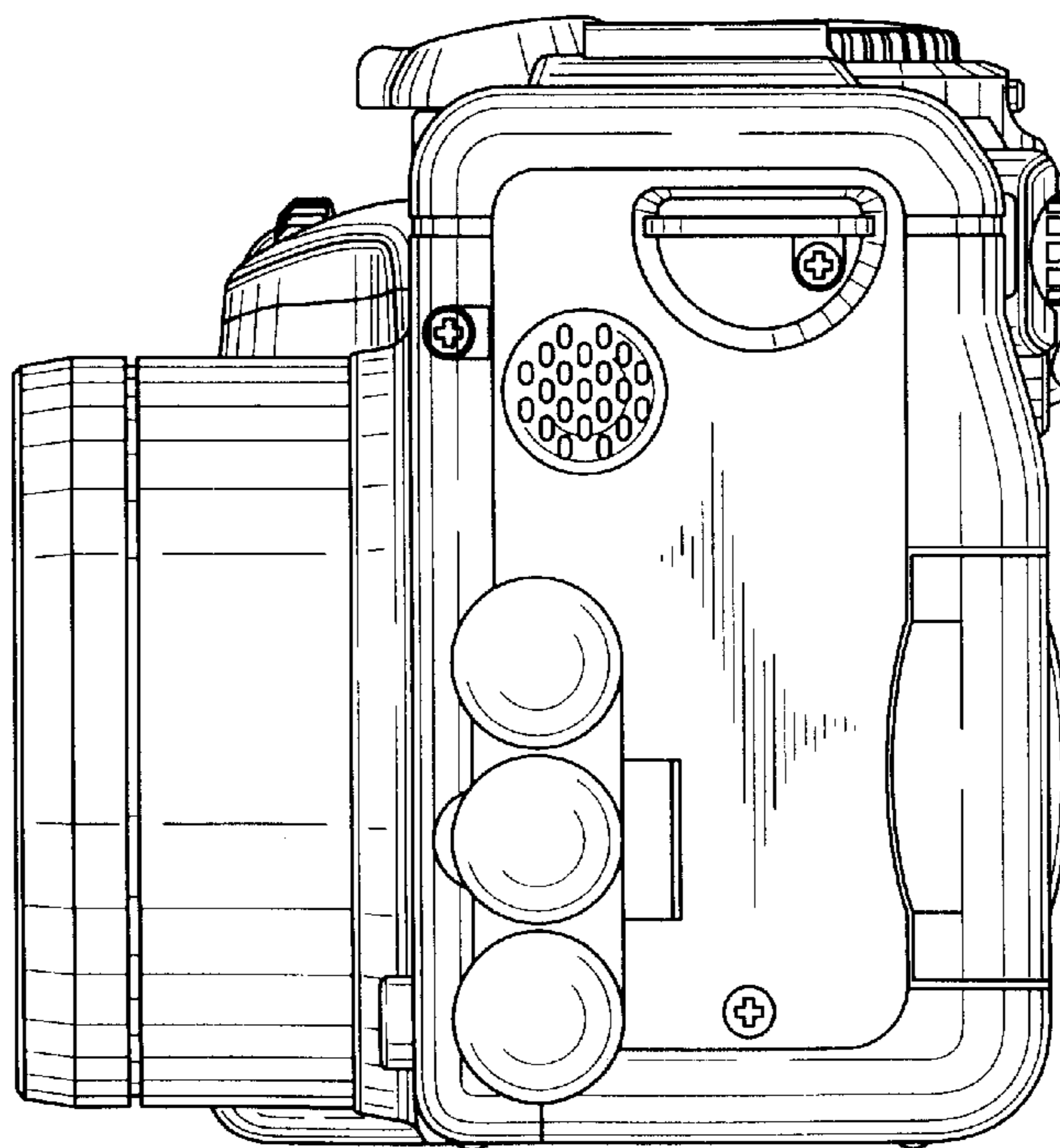


FIG. 7

