



US00D486166S

(12) **United States Design Patent**
Suzuki

(10) **Patent No.:** **US D486,166 S**

(45) **Date of Patent:** **** Feb. 3, 2004**

(54) **DIGITAL CAMERA**

(75) Inventor: **Tatsuya Suzuki**, Tokyo (JP)

(73) Assignee: **Olympus Corporation**, Tokyo (JP)

(**) Term: **14 Years**

(21) Appl. No.: **29/157,099**

(22) Filed: **Mar. 12, 2002**

(30) **Foreign Application Priority Data**

Feb. 14, 2002 (JP) 2002-003538

(51) **LOC (7) Cl.** **16-01**

(52) **U.S. Cl.** **D16/202; D16/209; D16/212**

(58) **Field of Search** **D16/200-204,**
D16/208, 209, 212, 218, 219; 348/373-376;
358/909.1; 396/348, 349, 448, 535, 536-541

(56) **References Cited**

U.S. PATENT DOCUMENTS

- 5,913,089 A * 6/1999 Ebe 396/448
- D415,511 S * 10/1999 Funakoshi et al. D16/209
- D449,325 S * 10/2001 Iue et al. D16/202
- D462,704 S * 9/2002 Suzuki et al. D16/202

D467,953 S * 12/2002 Suzuki et al. D16/202
2002/0176714 A1 * 11/2002 Nakanishi et al. 396/448

* cited by examiner

Primary Examiner—Adir Aronovich

(74) *Attorney, Agent, or Firm*—Hogan & Hartson LLP

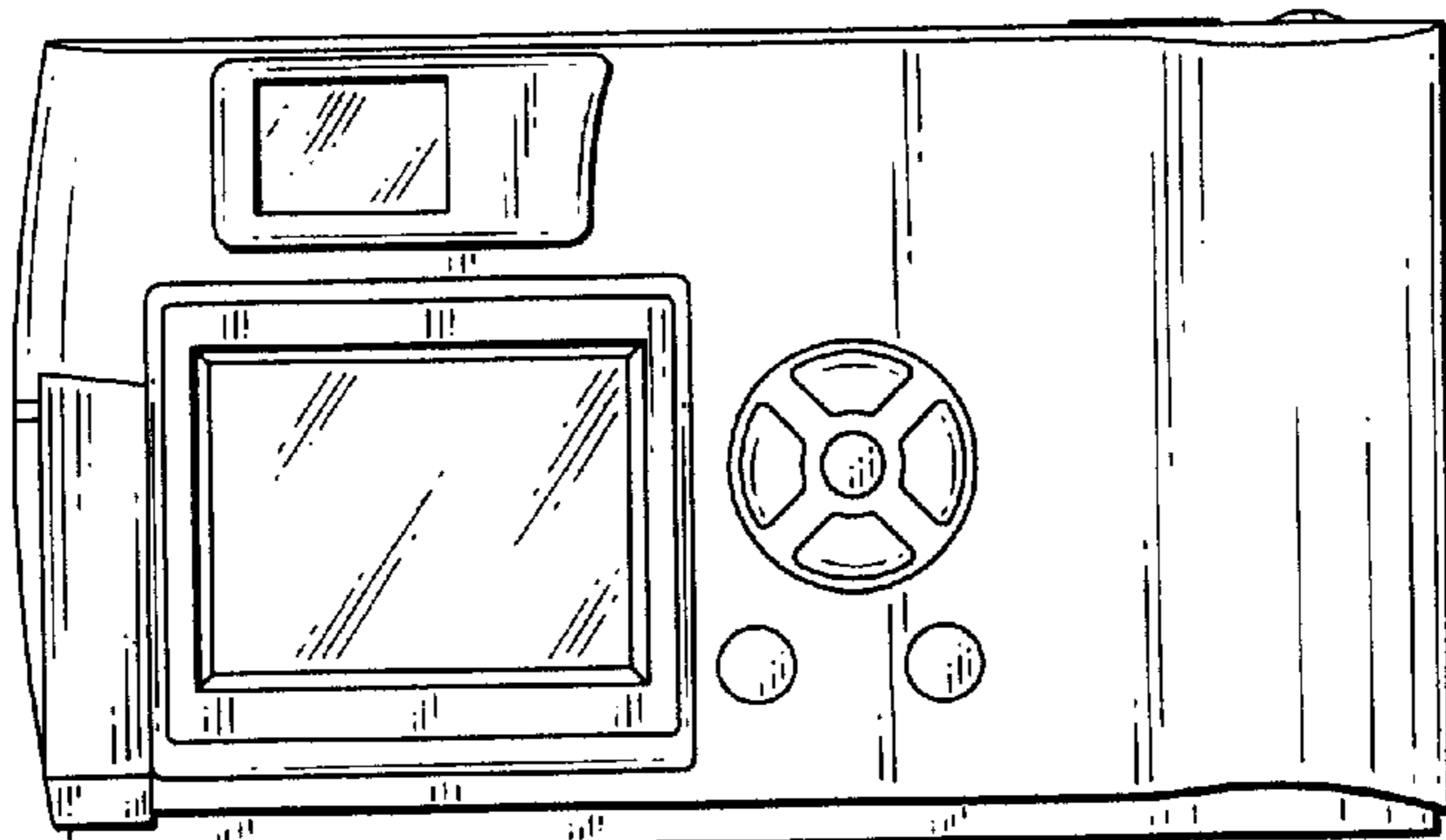
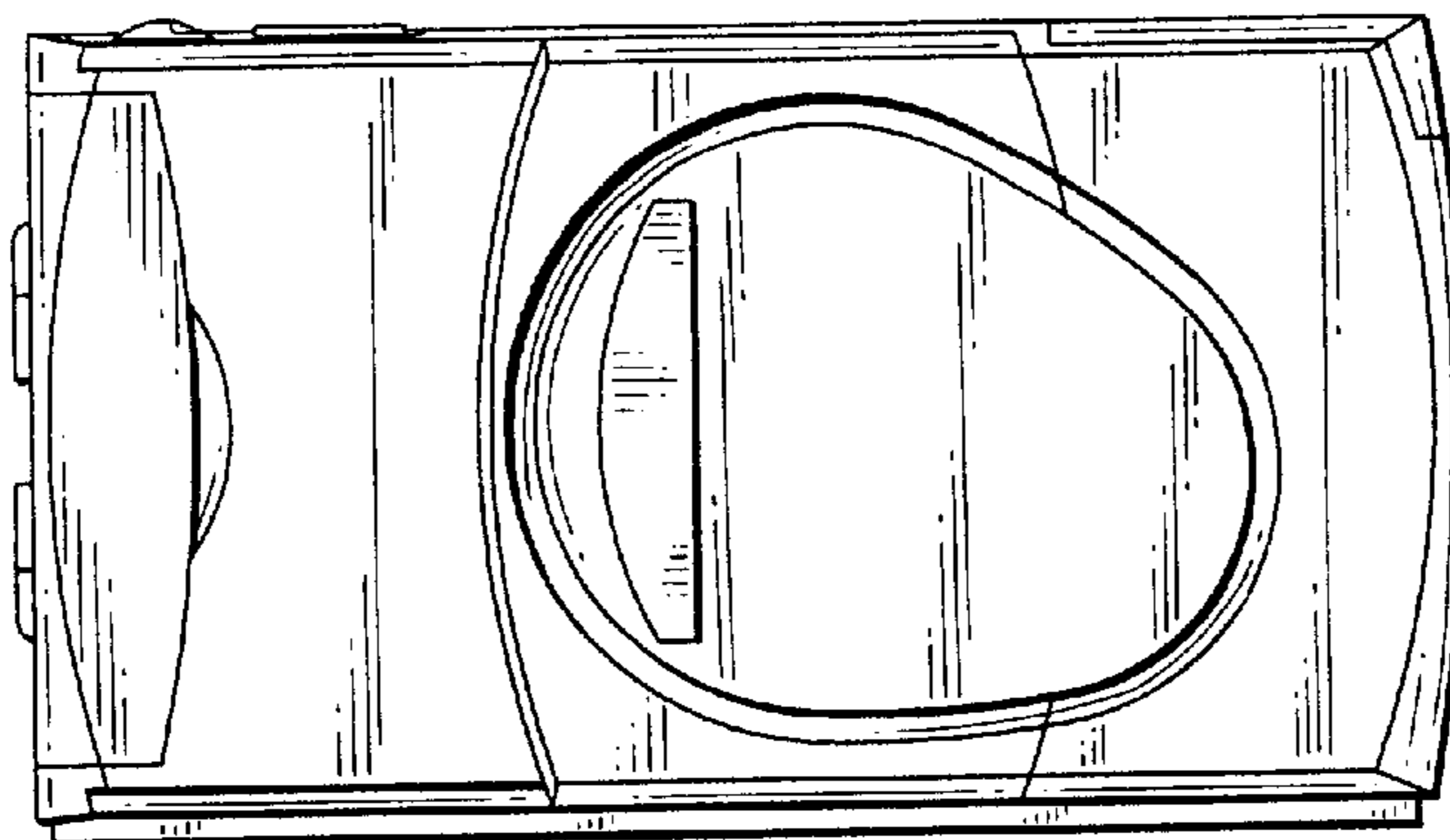
(57) **CLAIM**

The ornamental design for a digital camera, as shown and described.

DESCRIPTION

FIG. 1 is a front elevational view of a digital camera, showing my new design;
 FIG. 2 is a top plan view thereof;
 FIG. 3 is a bottom plan view thereof;
 FIG. 4 is a rear elevational view thereof;
 FIG. 5 is a left side elevational view thereof;
 FIG. 6 is a right side elevational view thereof;
 FIG. 7 is a front elevational view thereof with a barrier in an opened state, with a lens in an extended state and with an electronic flashing unit in a raised state;
 FIG. 8 is a top plan view of FIG. 7; and
 FIG. 9 is a right side elevational view thereof FIG. 7.

1 Claim, 3 Drawing Sheets



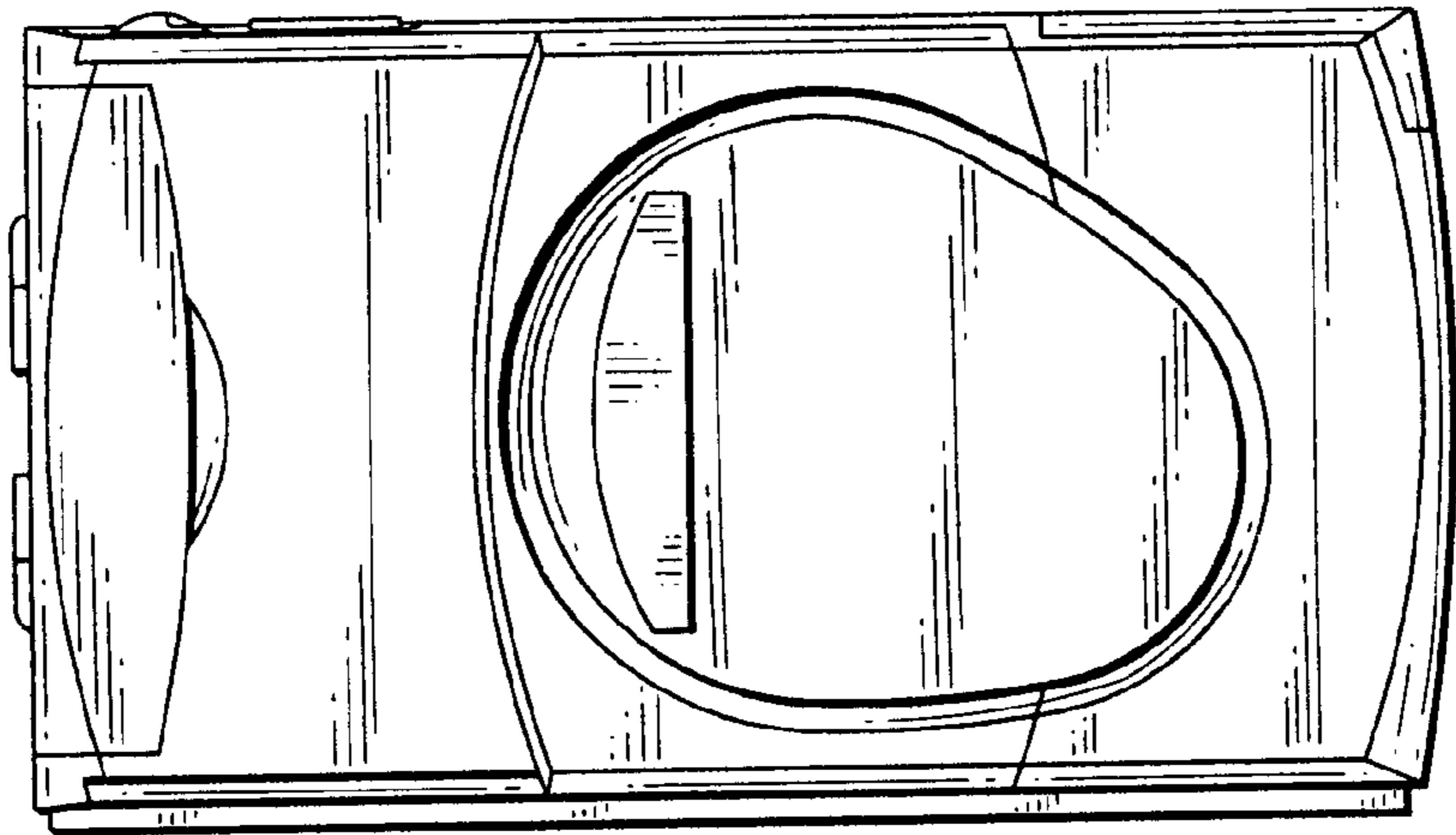


FIG. 1

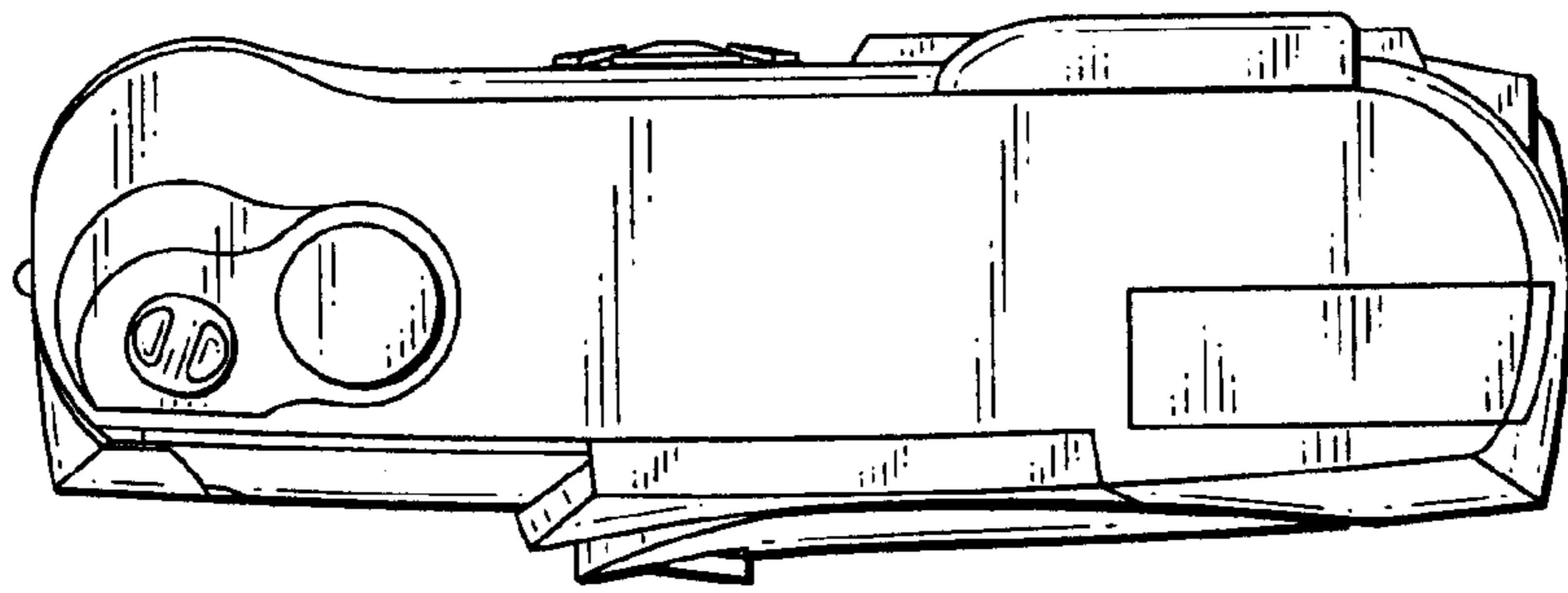


FIG. 2

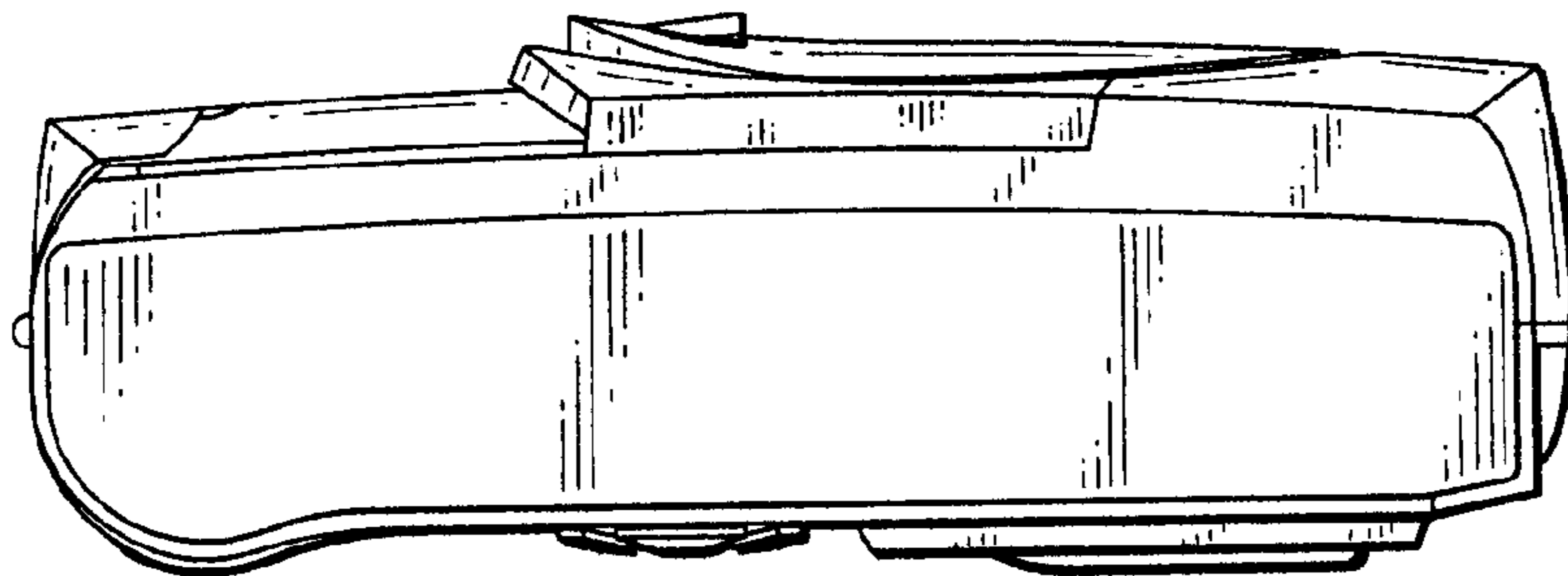


FIG. 3

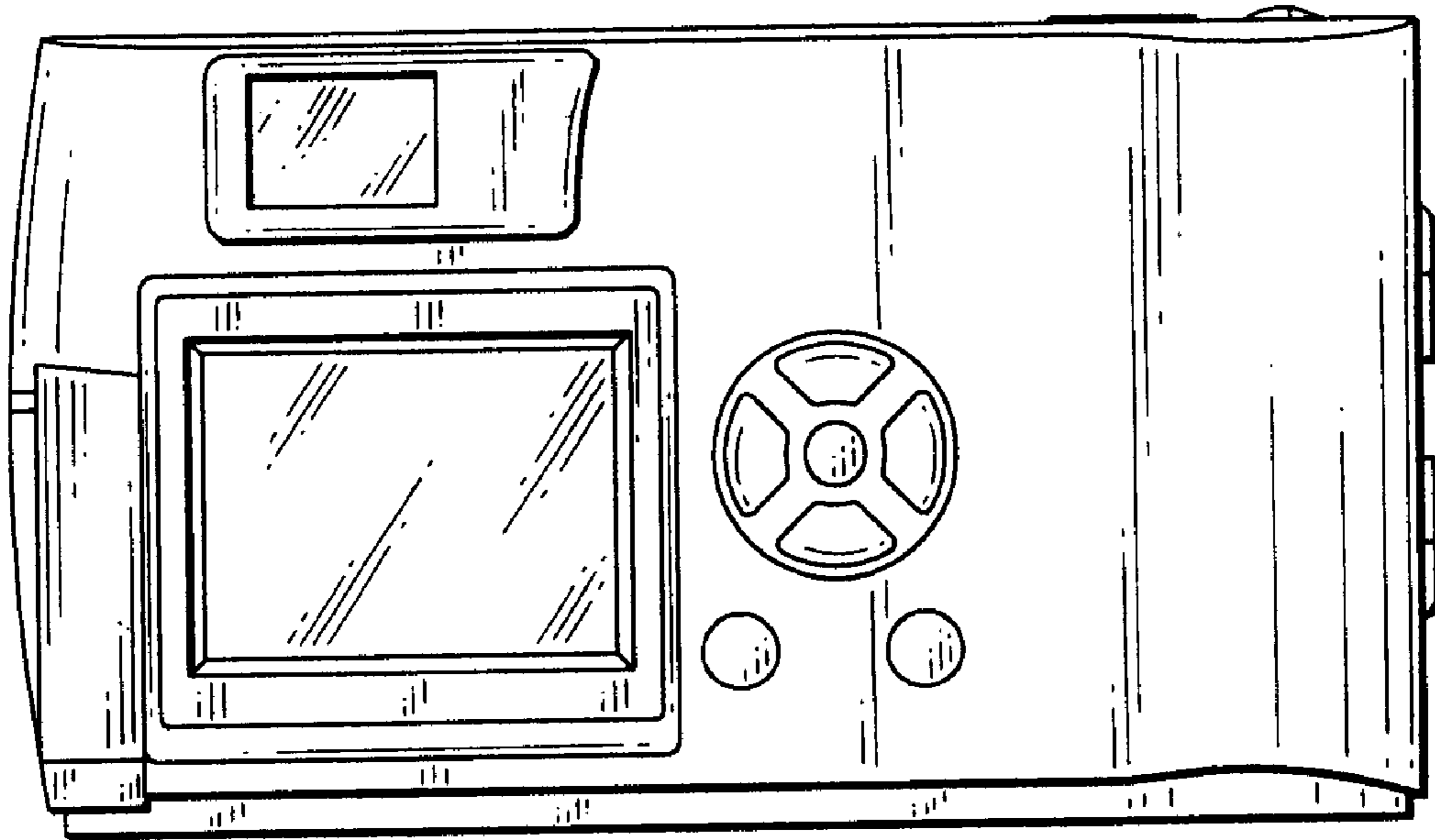


FIG. 4

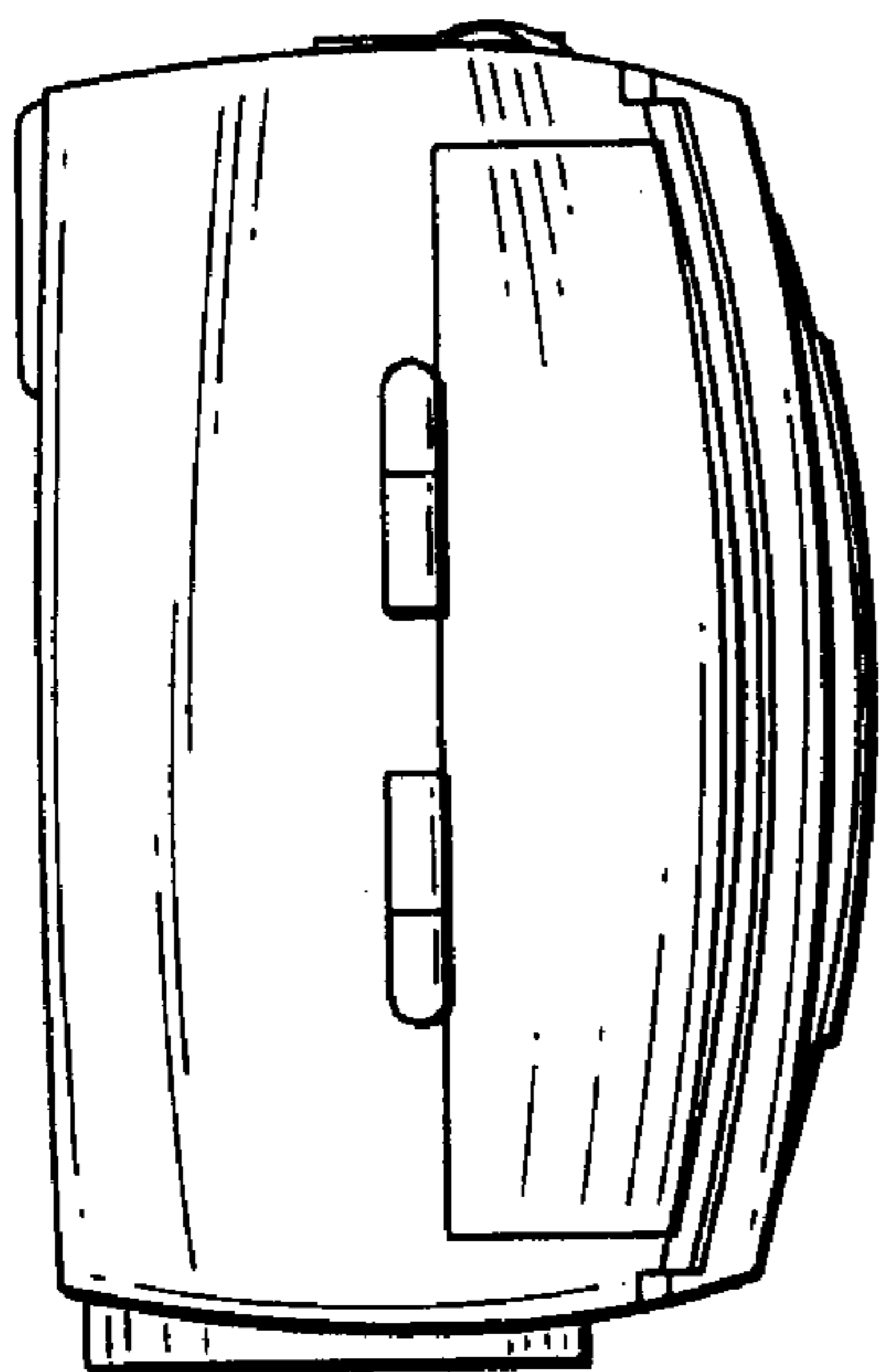


FIG. 5

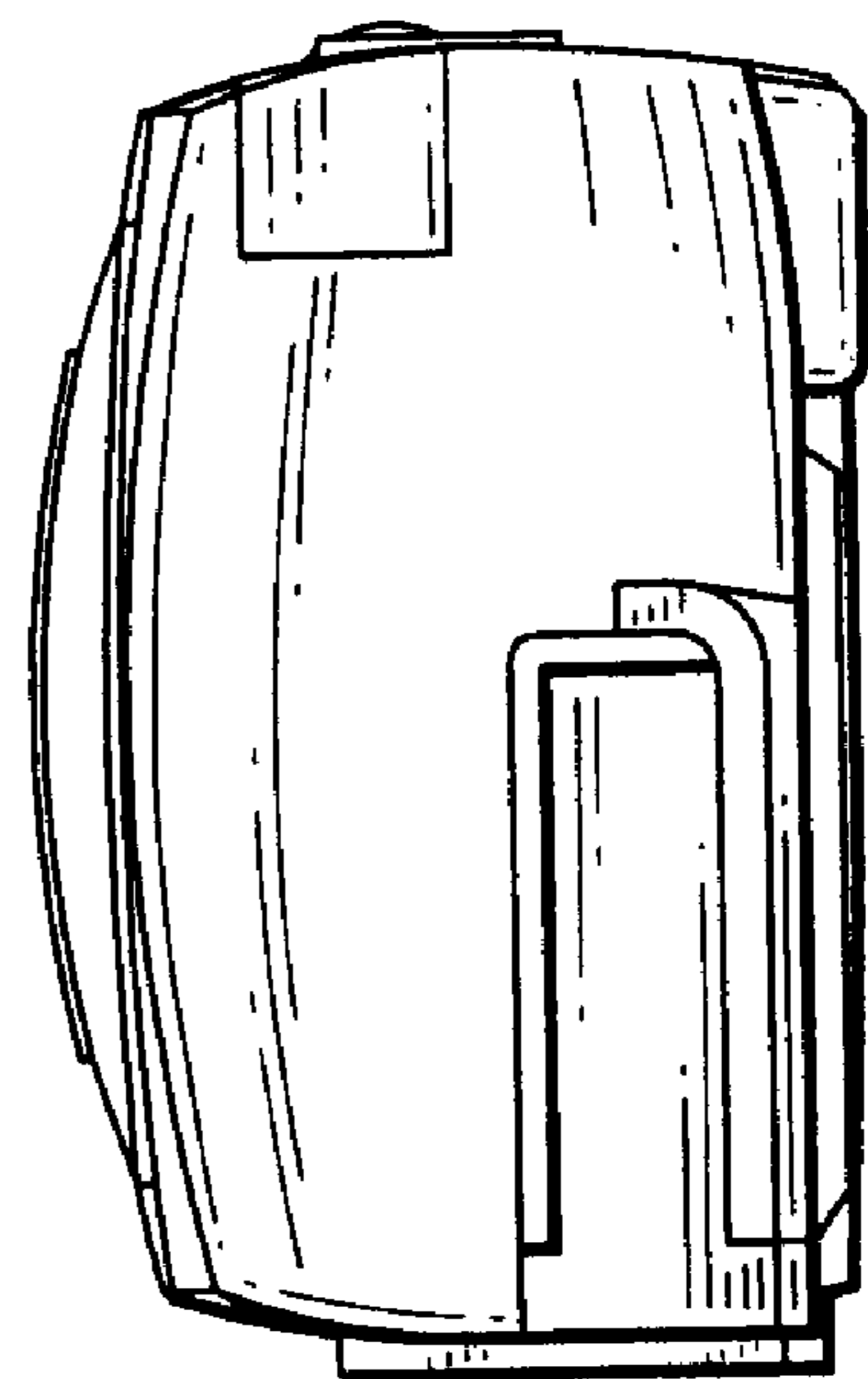


FIG. 6

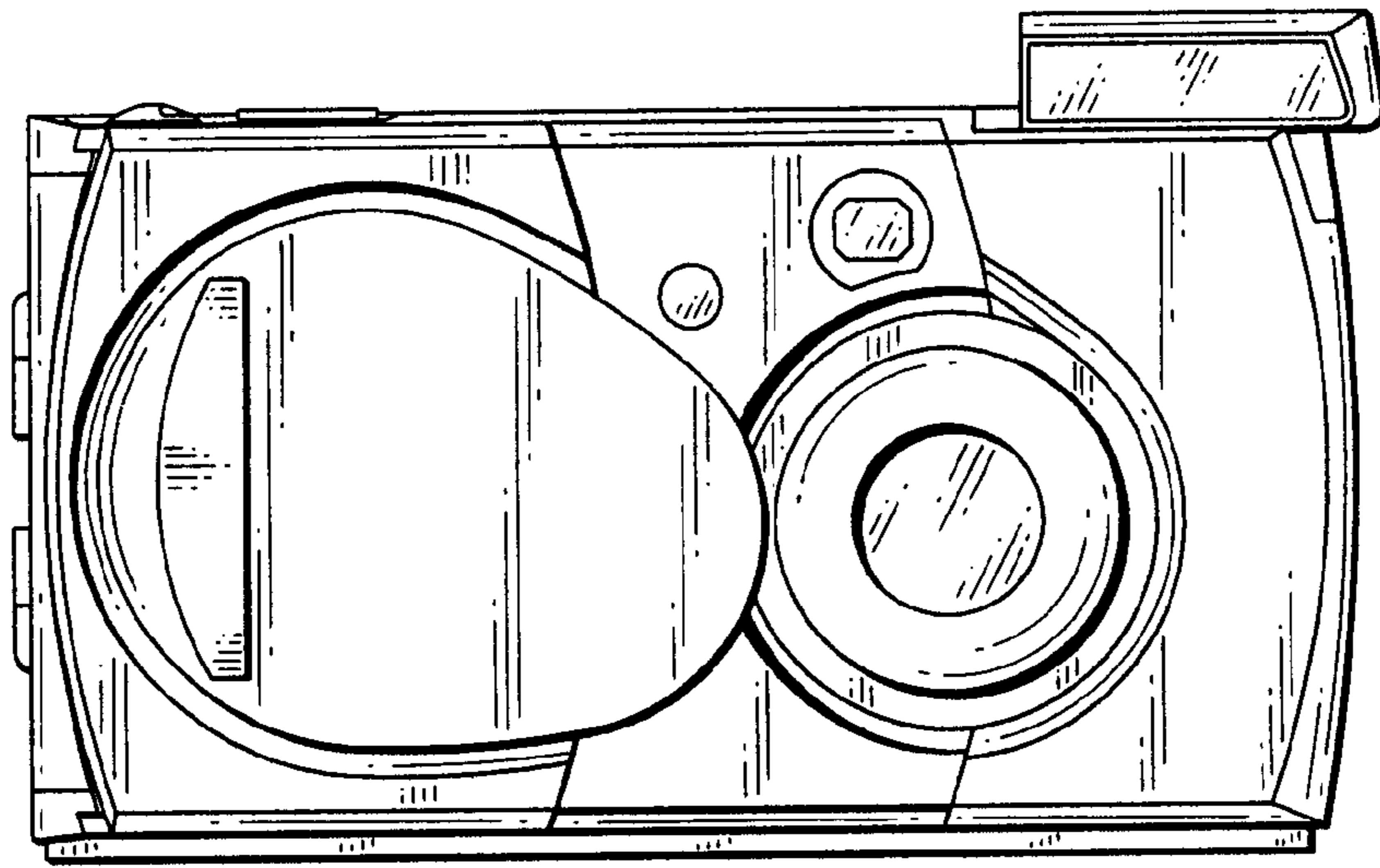


FIG. 7

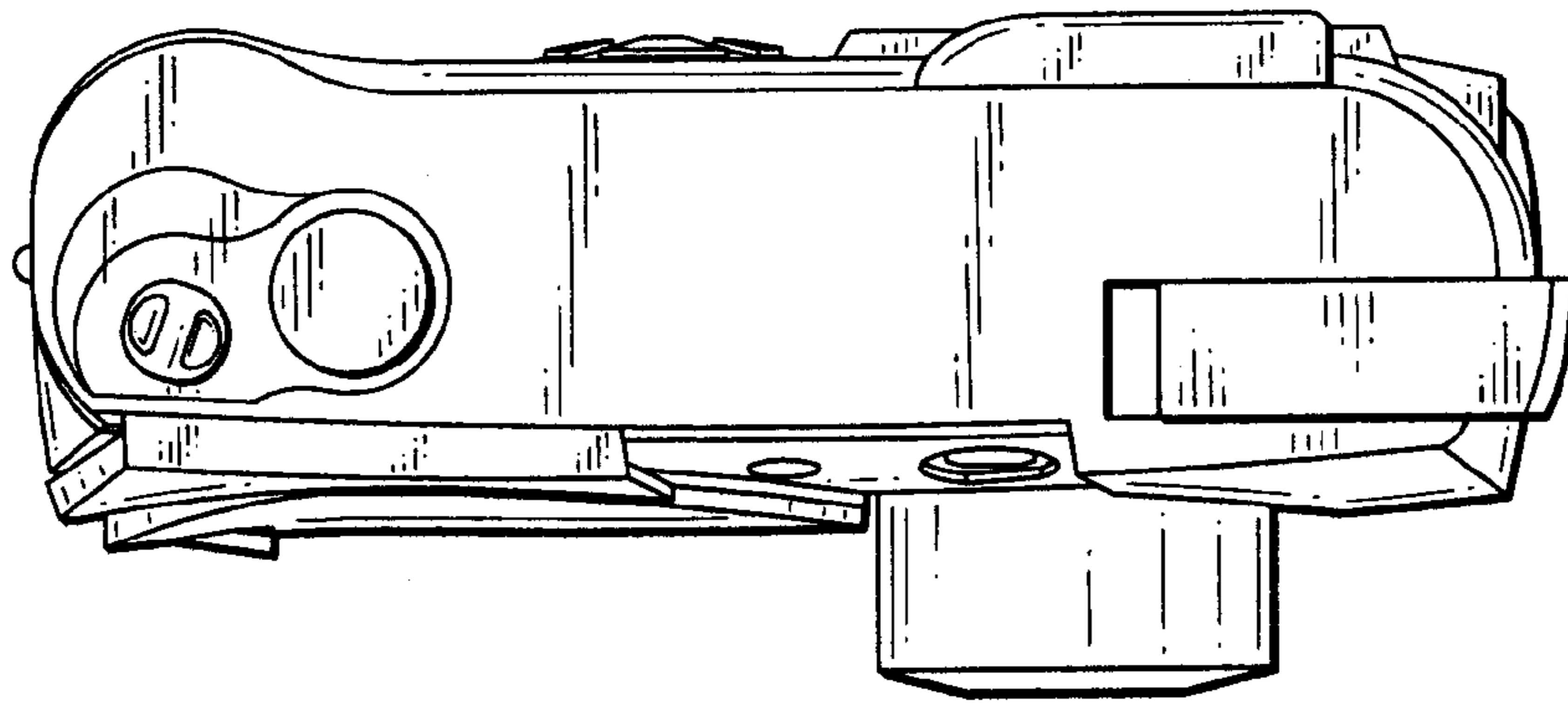


FIG. 8

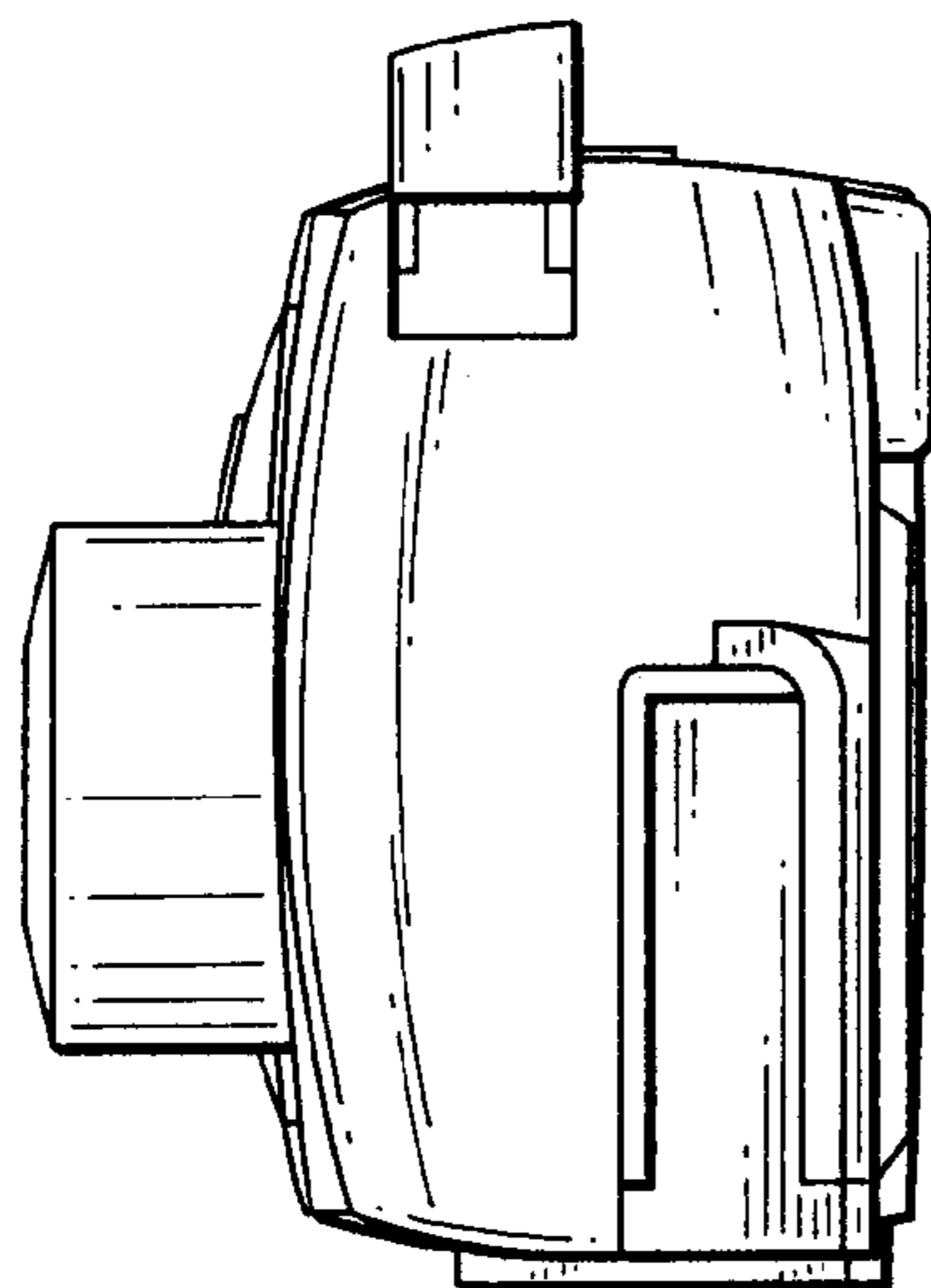


FIG. 9