



US00D486165S

(12) **United States Design Patent**
Wright et al.

(10) **Patent No.:** **US D486,165 S**

(45) **Date of Patent:** **** Feb. 3, 2004**

(54) **SAW**

(75) Inventors: **Stuart J. Wright**, Timonium, MD (US); **Daniel N. Lopano**, Towson, MD (US); **Gregg L. Sheddy**, Shrewsbury, PA (US); **Peter Chaikowsky**, Bel Air, MD (US); **James D. Schroeder**, Dallastown, PA (US); **Warren A. Ceroll**, Owings Mills, MD (US); **Darren B. Moss**, Cockeysville, MD (US)

(73) Assignee: **Black & Decker Inc.**, Newark, DE (US)

(**) Term: **14 Years**

(21) Appl. No.: **29/170,049**

(22) Filed: **Oct. 30, 2002**

(51) **LOC (7) Cl.** **15-09**

(52) **U.S. Cl.** **D15/133**

(58) **Field of Search** D15/133; 30/377-378, 30/388-391, 517-525; 83/471.3, 471.2, 581, 472, 473, 477.1, 477.2

(56) **References Cited**

U.S. PATENT DOCUMENTS

- D372,484 S * 8/1996 Price et al. D15/133 R
- 5,720,096 A * 2/1998 Dorsey 83/471.2 X
- 6,272,960 B1 * 8/2001 Dibbern, Jr. et al. 83/471.3

* cited by examiner

Primary Examiner—Antoine Duval Davis

(74) *Attorney, Agent, or Firm*—Adan Ayala

(57) **CLAIM**

The ornamental design for a saw, as shown and described.

DESCRIPTION

FIG. 1 is a front perspective view of a first embodiment of a saw according to the invention, where FIGS. 1A-1B show the saw with a table in retracted and extended positions, respectively.

FIG. 2 is a rear perspective view of the first embodiment, where FIGS. 2A-2B show the saw with a table in retracted and extended positions, respectively.

FIG. 3 is a top plan view of the first embodiment, where FIGS. 3A-3B show the saw with a table in retracted and extended positions, respectively.

FIG. 4 is a left side elevational view of the first embodiment, where FIGS. 4A-4B show the saw with a table in retracted and extended positions, respectively.

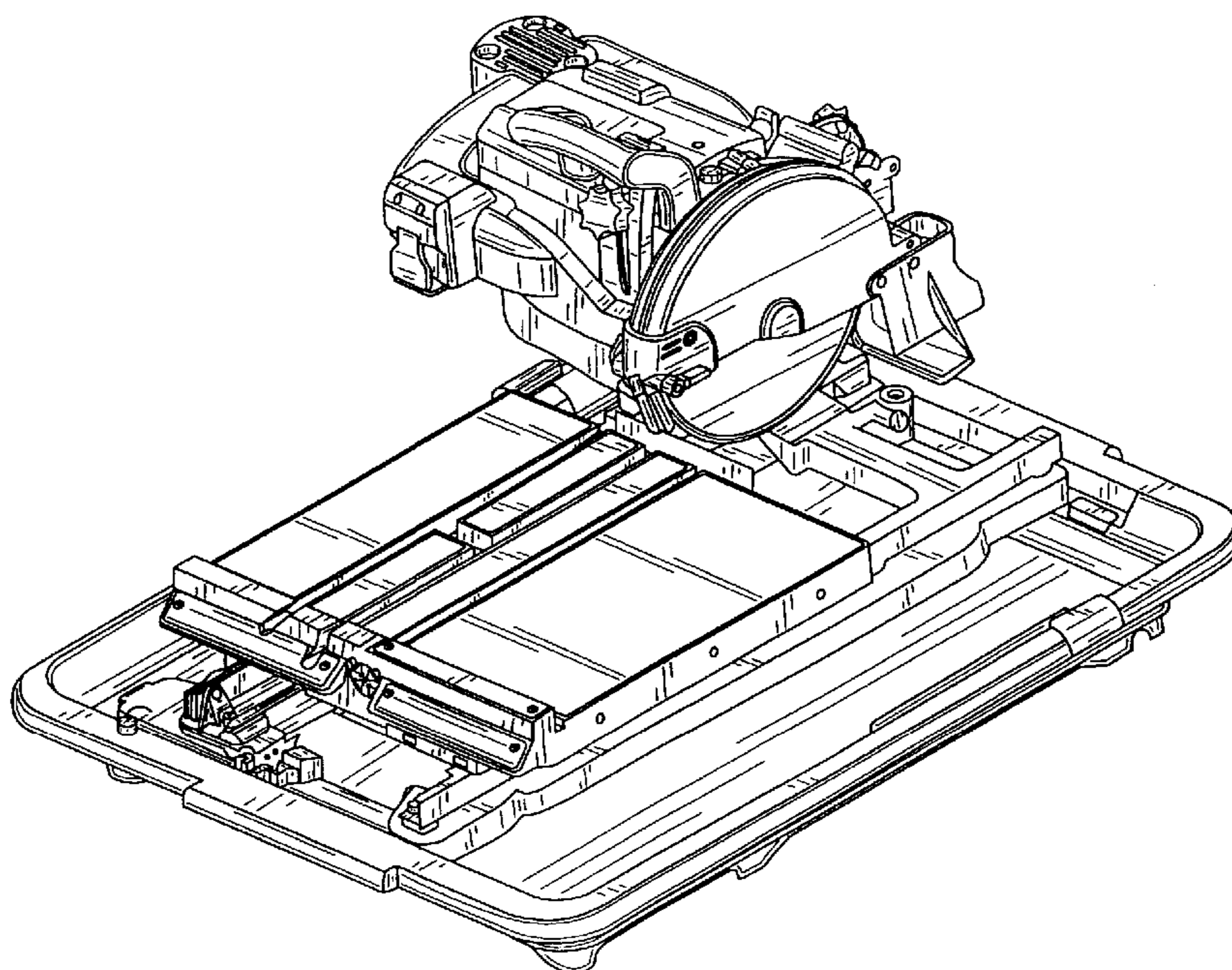
FIG. 5 is a right side elevational view of the first embodiment, where FIGS. 5A-5B show the saw with a table in retracted and extended positions, respectively.

FIG. 6 is a front elevational view of the first embodiment. FIG. 7 is a rear elevational view of the first embodiment; and,

FIG. 8 is a bottom plan view of the first embodiment, where FIGS. 8A-8B show the saw with a table in retracted and extended positions, respectively.

In the above drawings, any views not shown thereof do not form a part of the invention. In addition, any wording or numerals shown therein does not form a part of the invention.

1 Claim, 14 Drawing Sheets



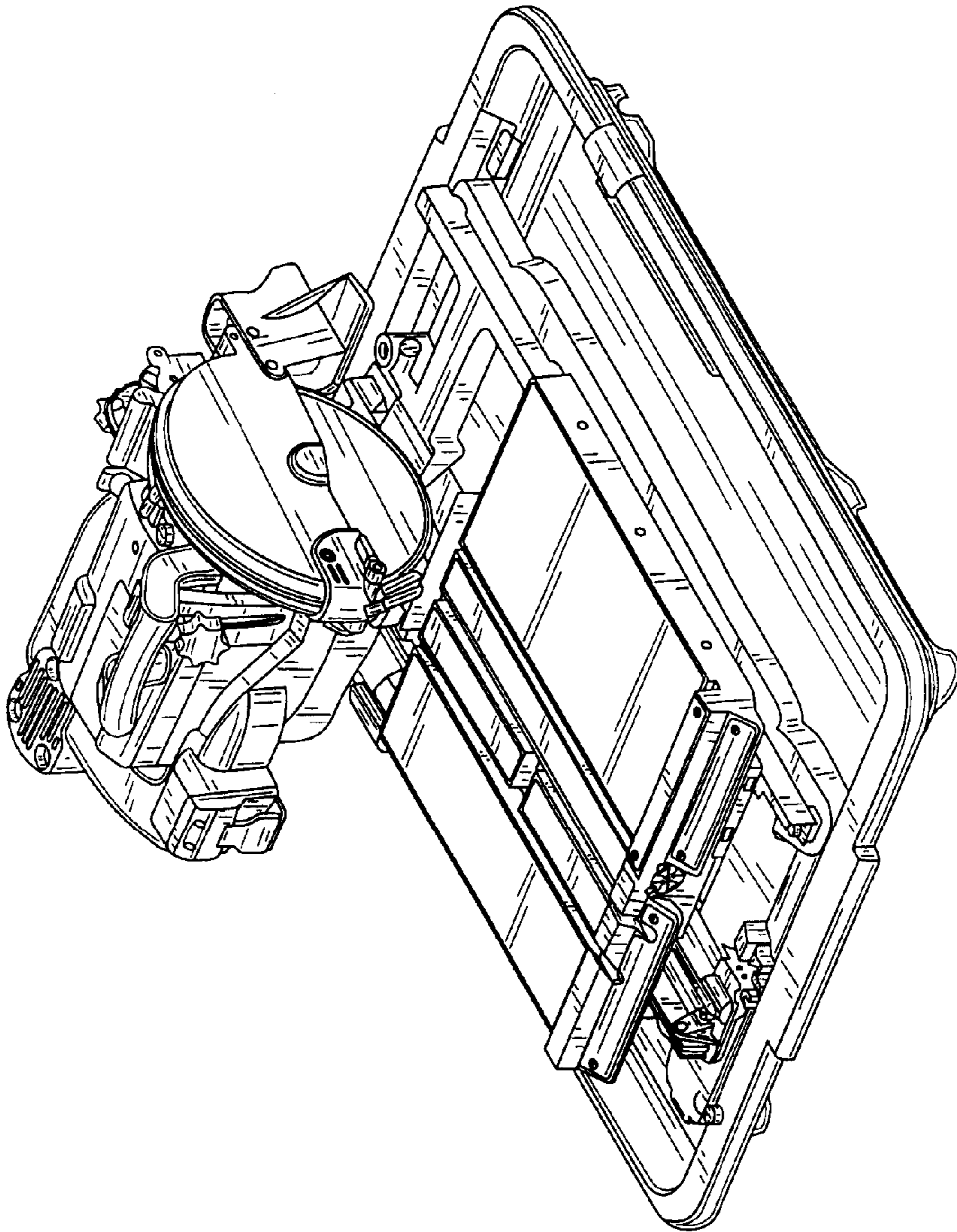


FIG. 1A

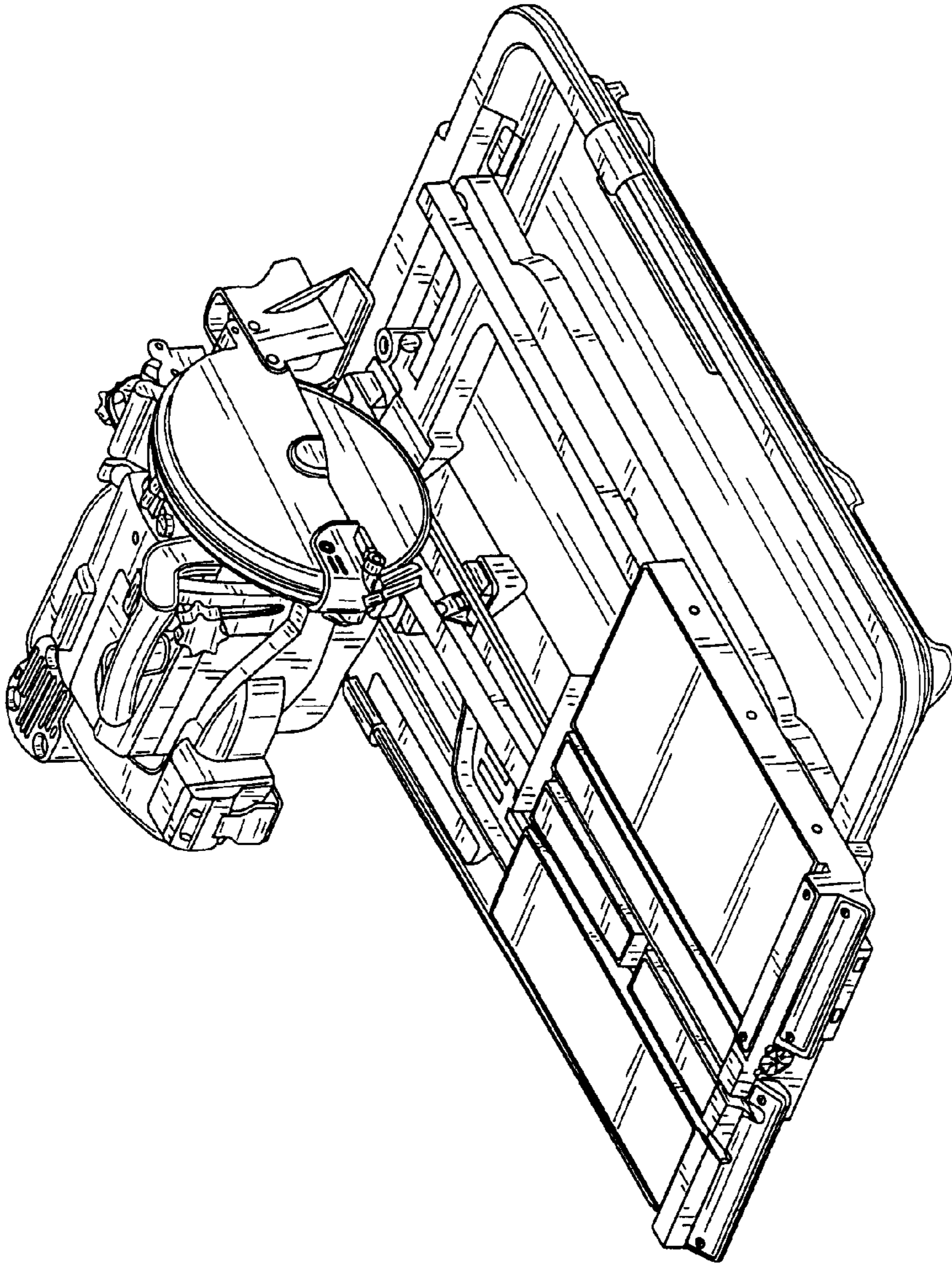


FIG. 1B

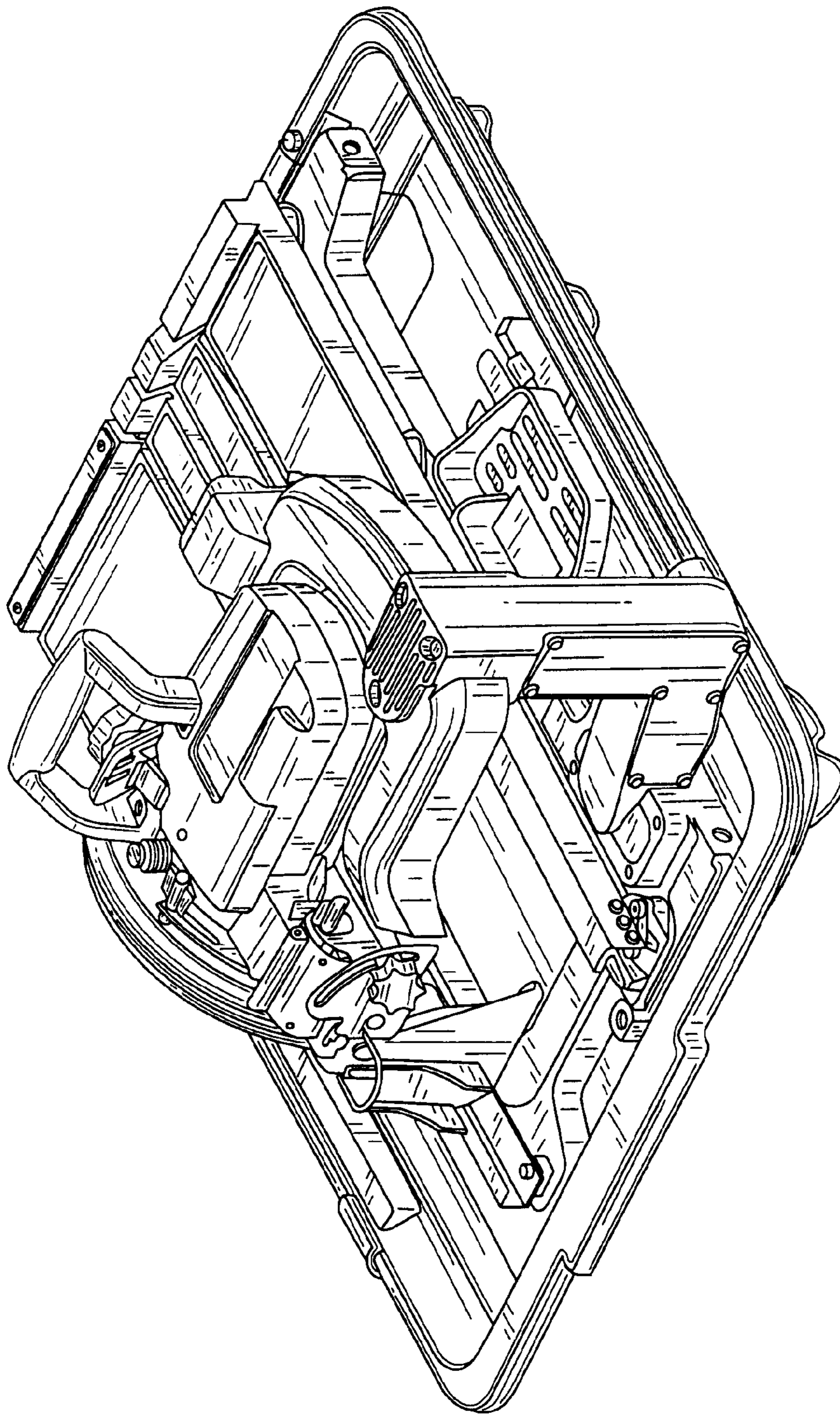


FIG. 2A

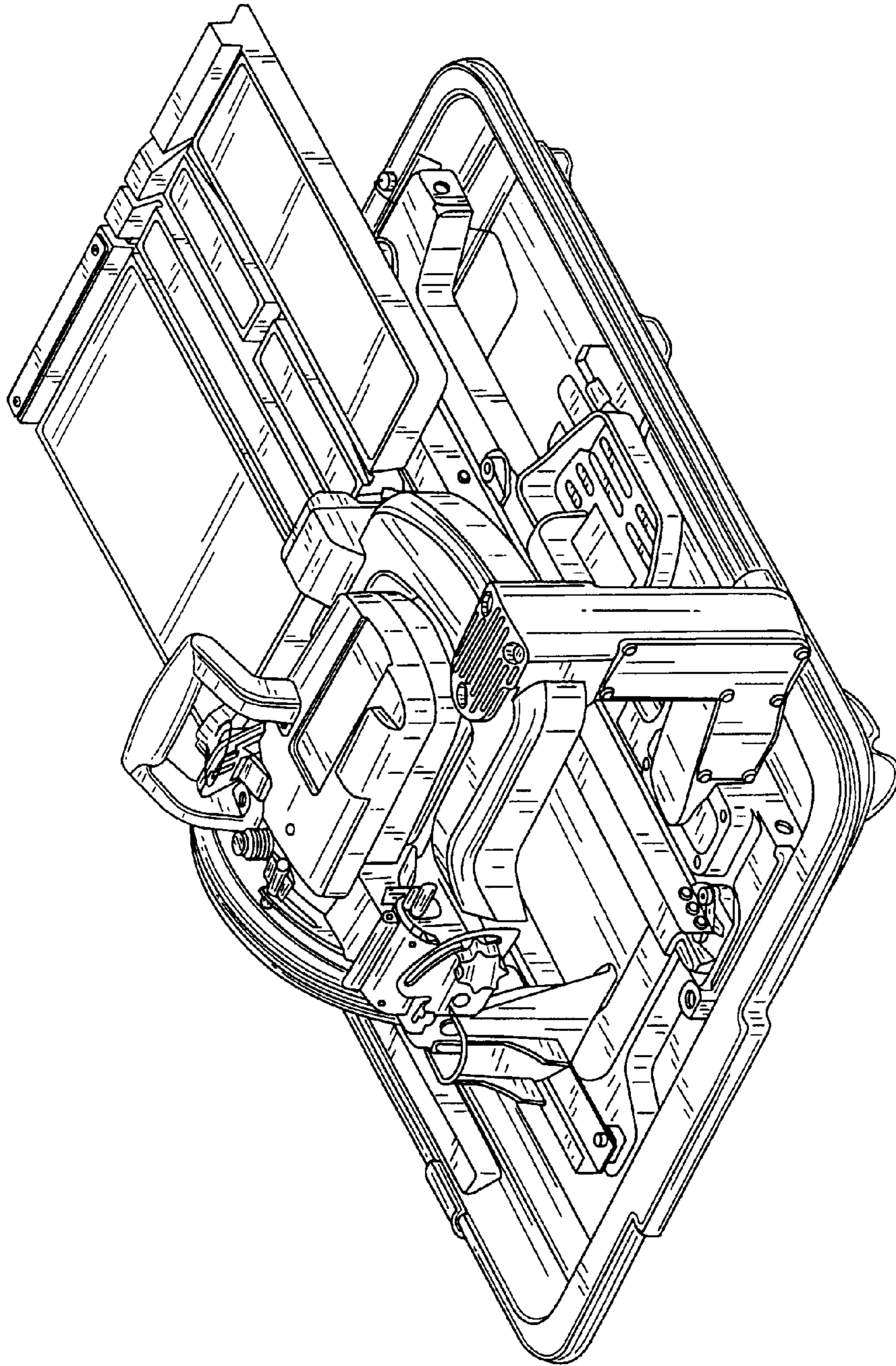


FIG. 2B

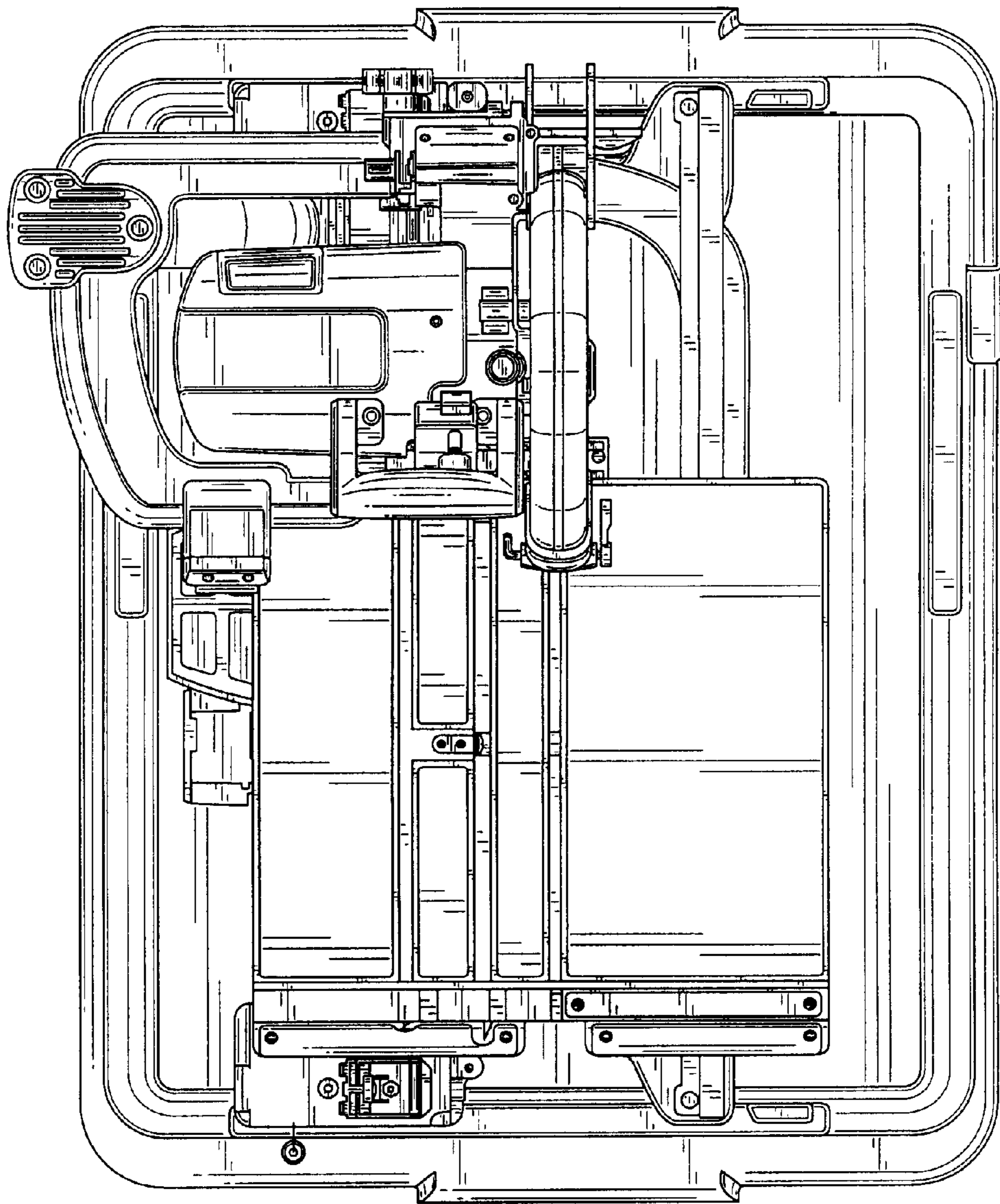


FIG. 3A

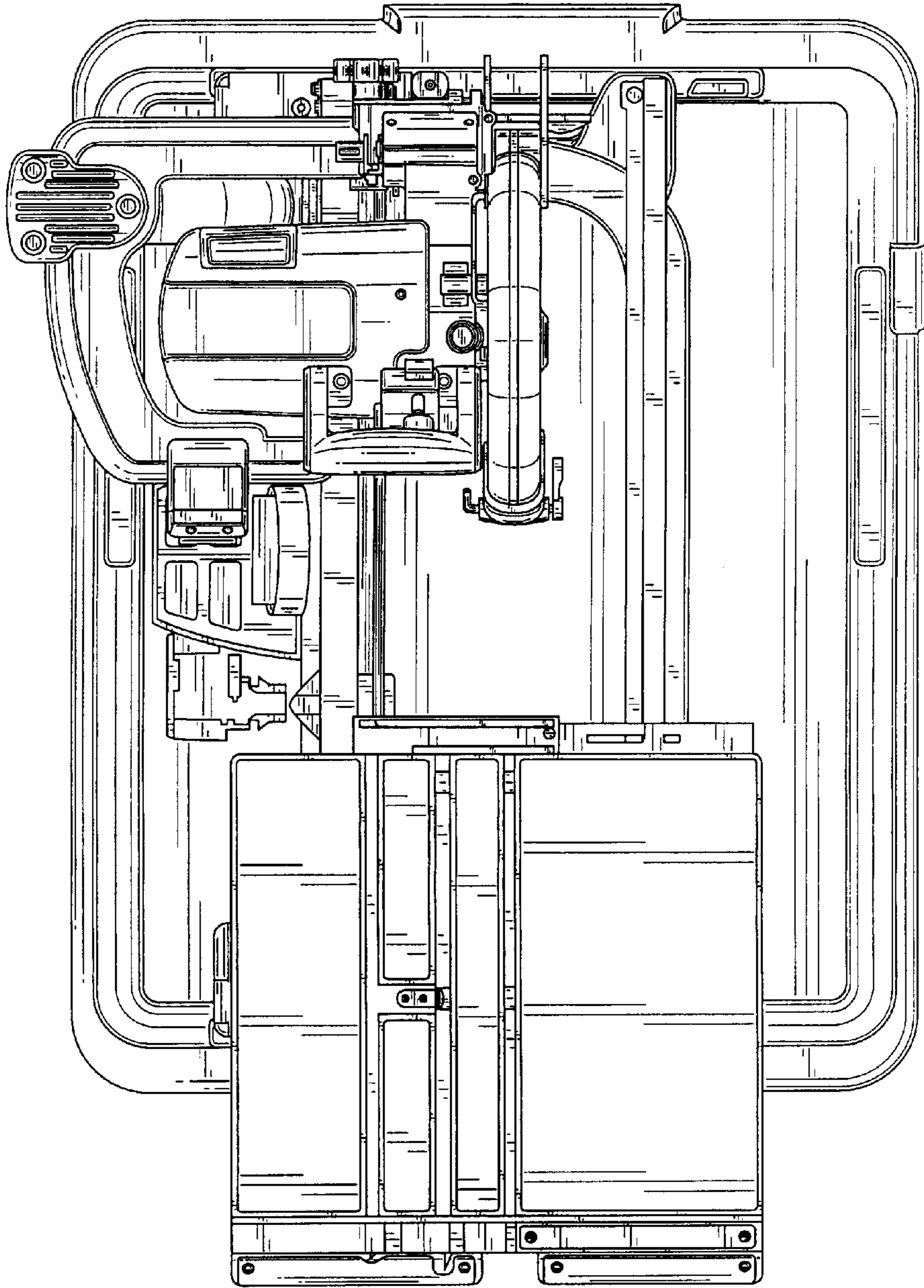


FIG. 3B

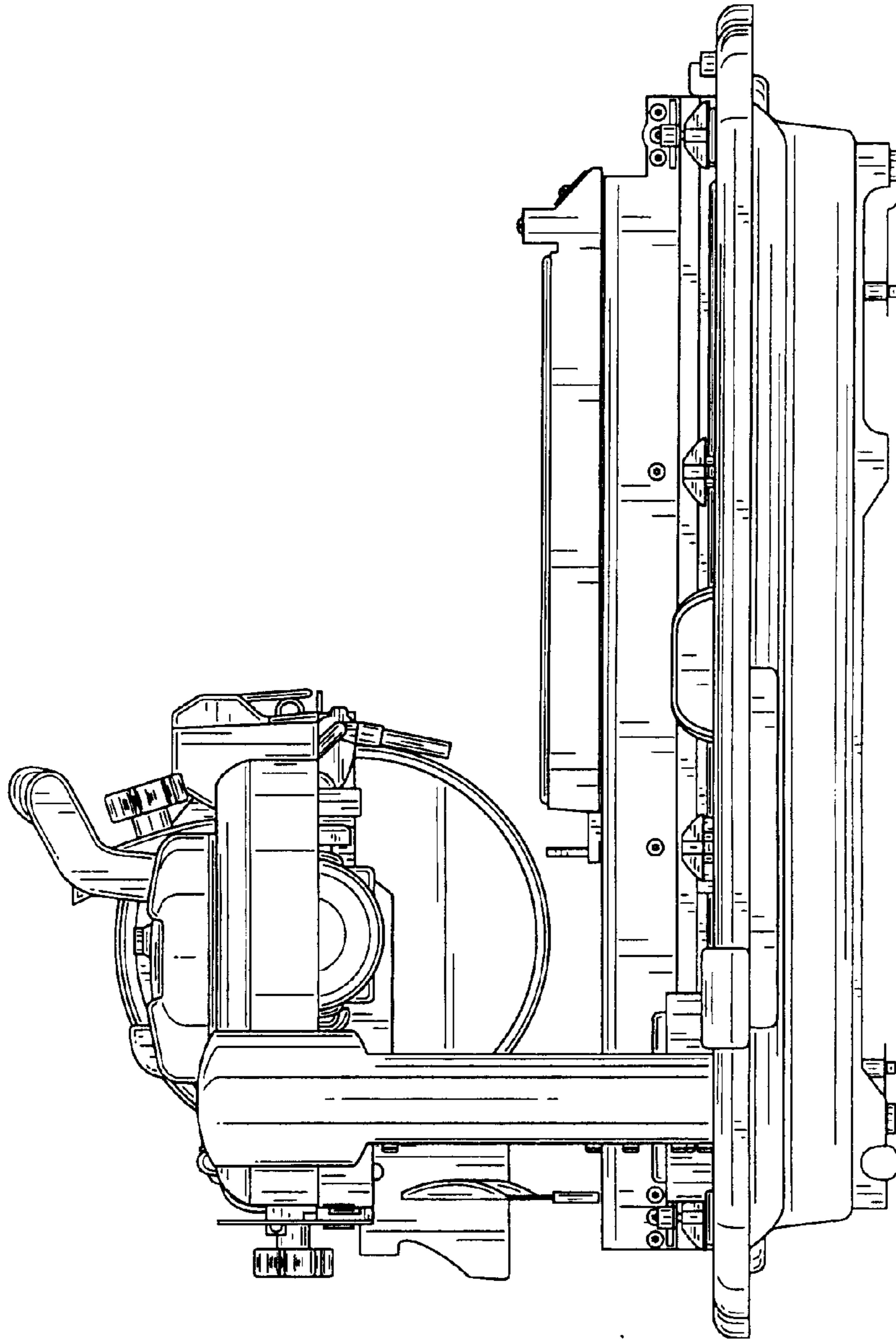


FIG. 4A

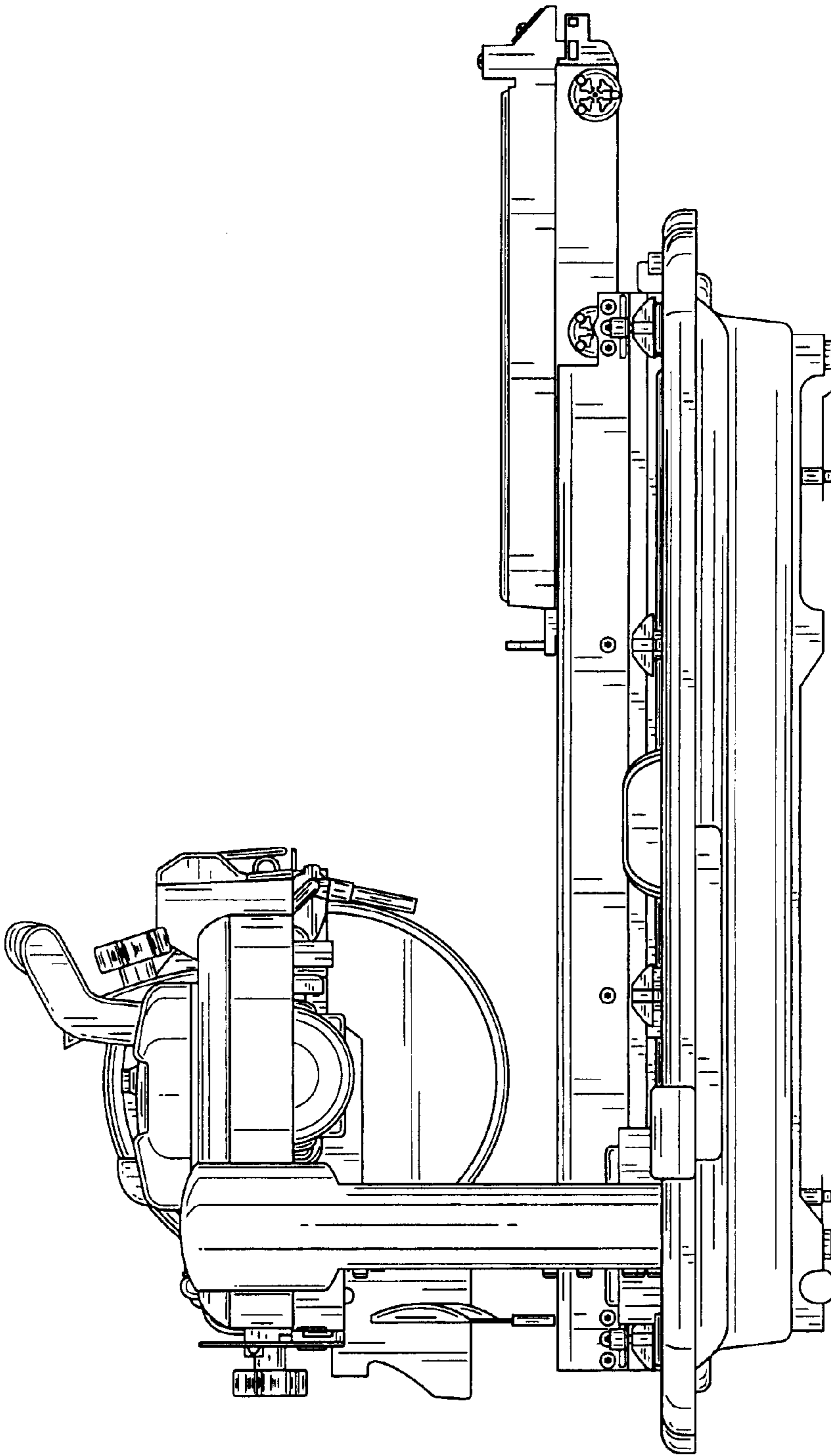


FIG. 4B

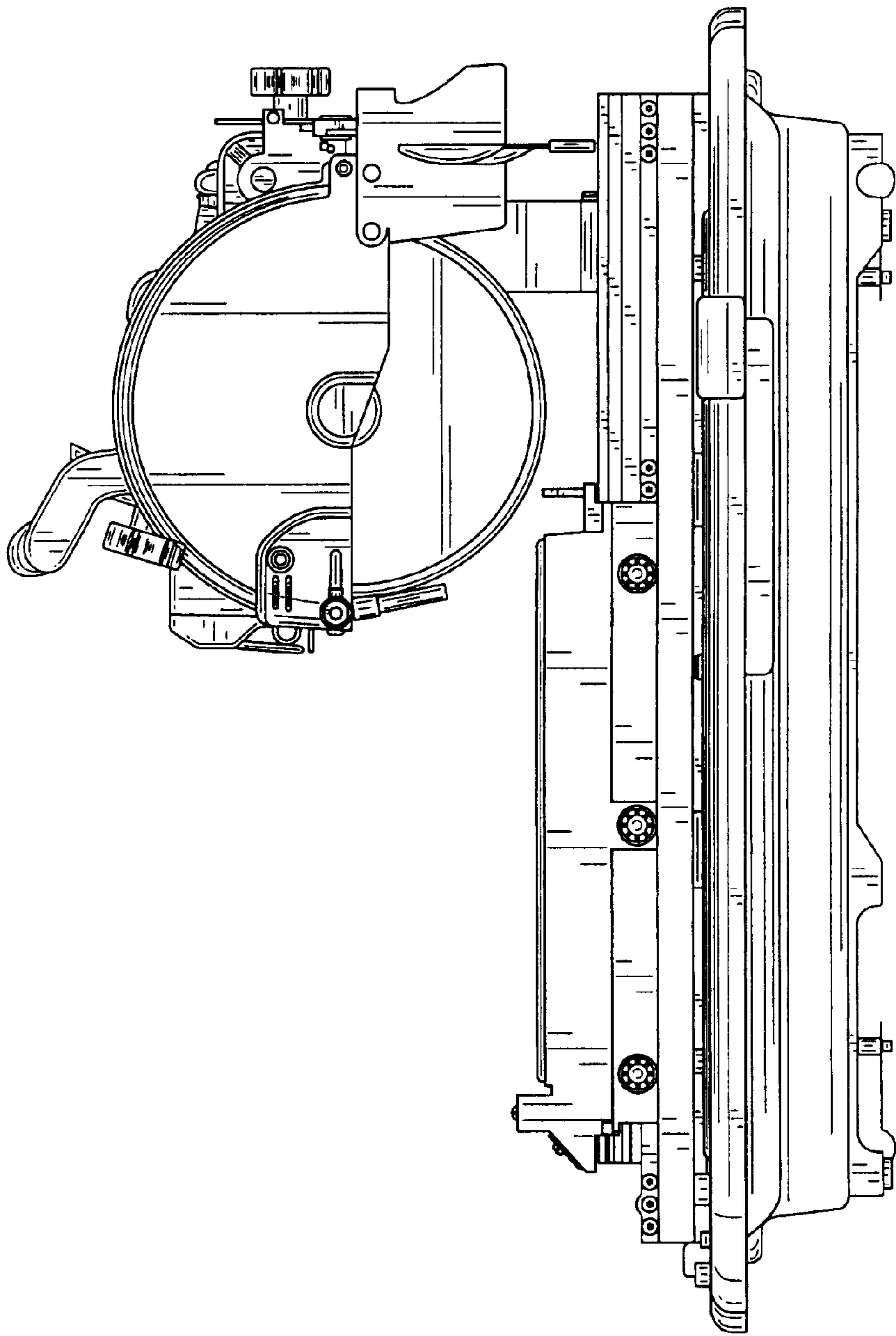


FIG. 5A

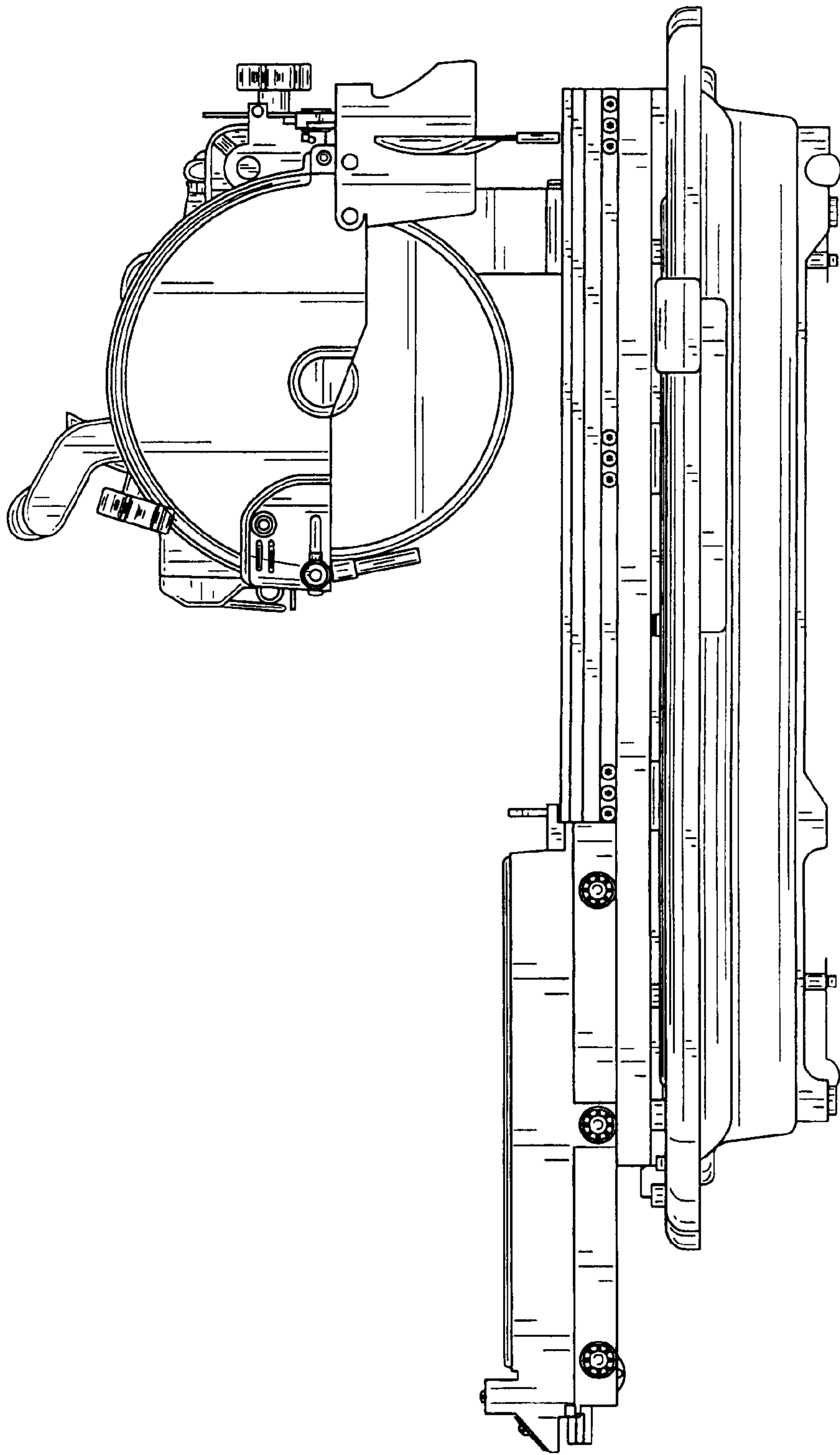


FIG. 5B

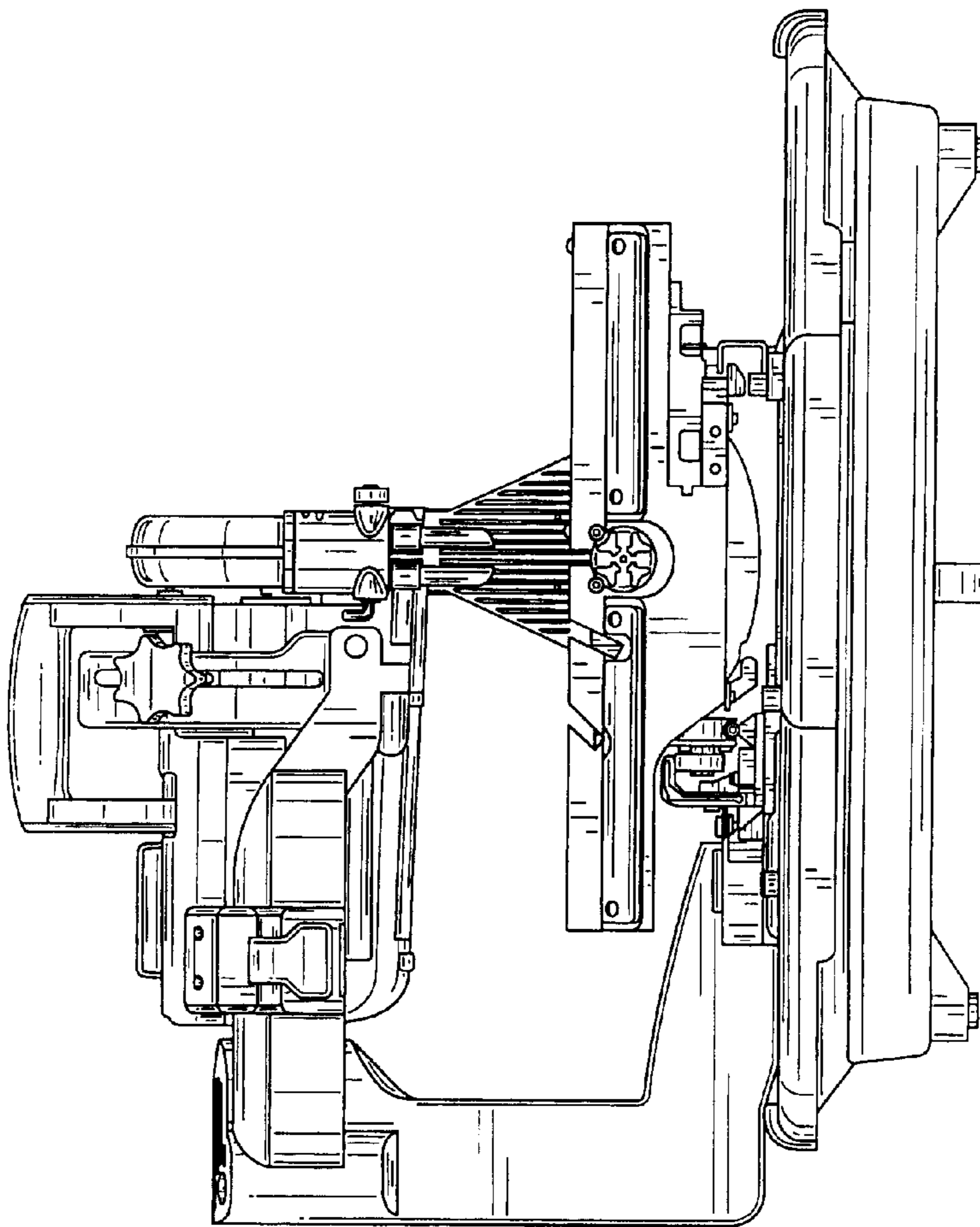


FIG. 6

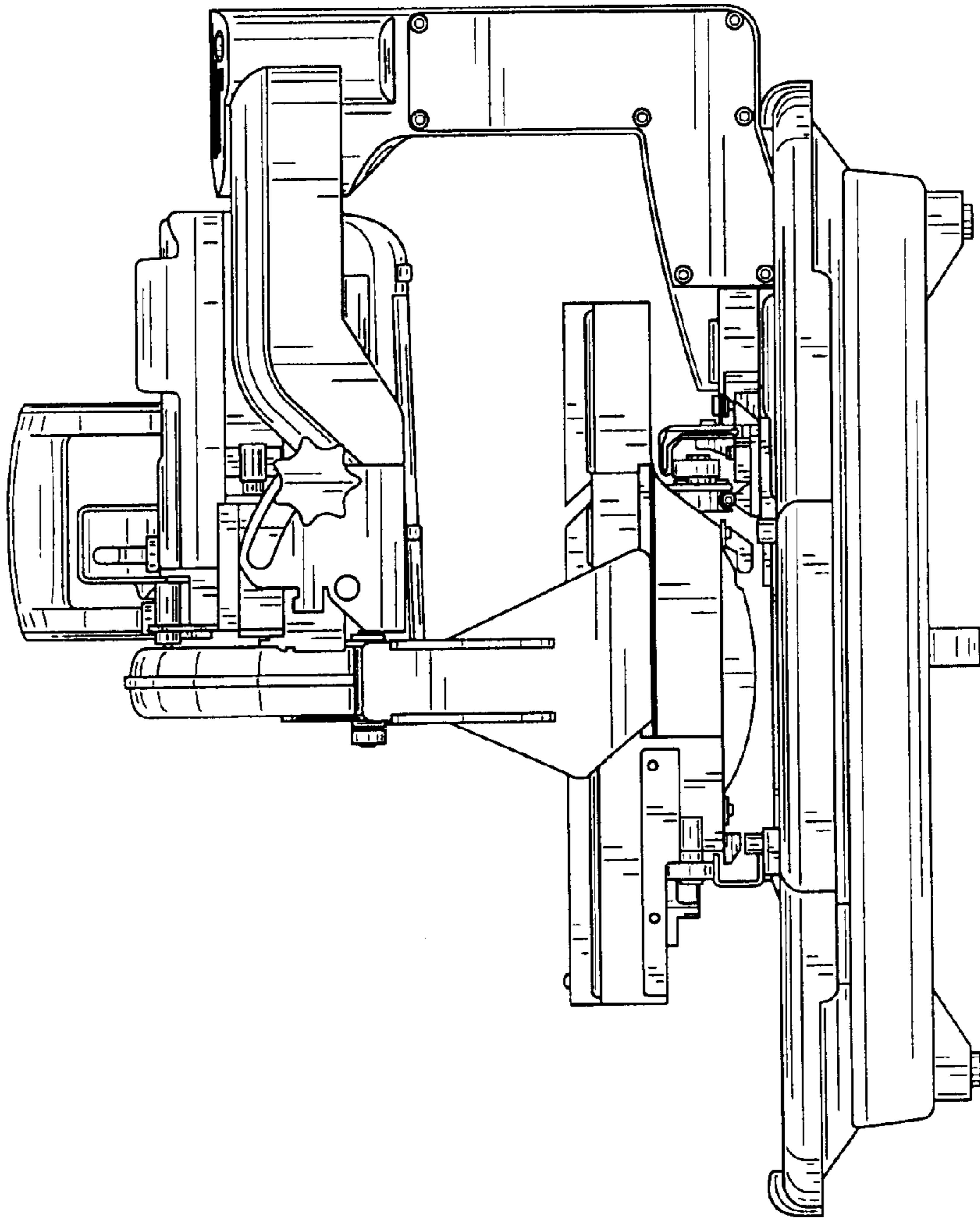


FIG. 7

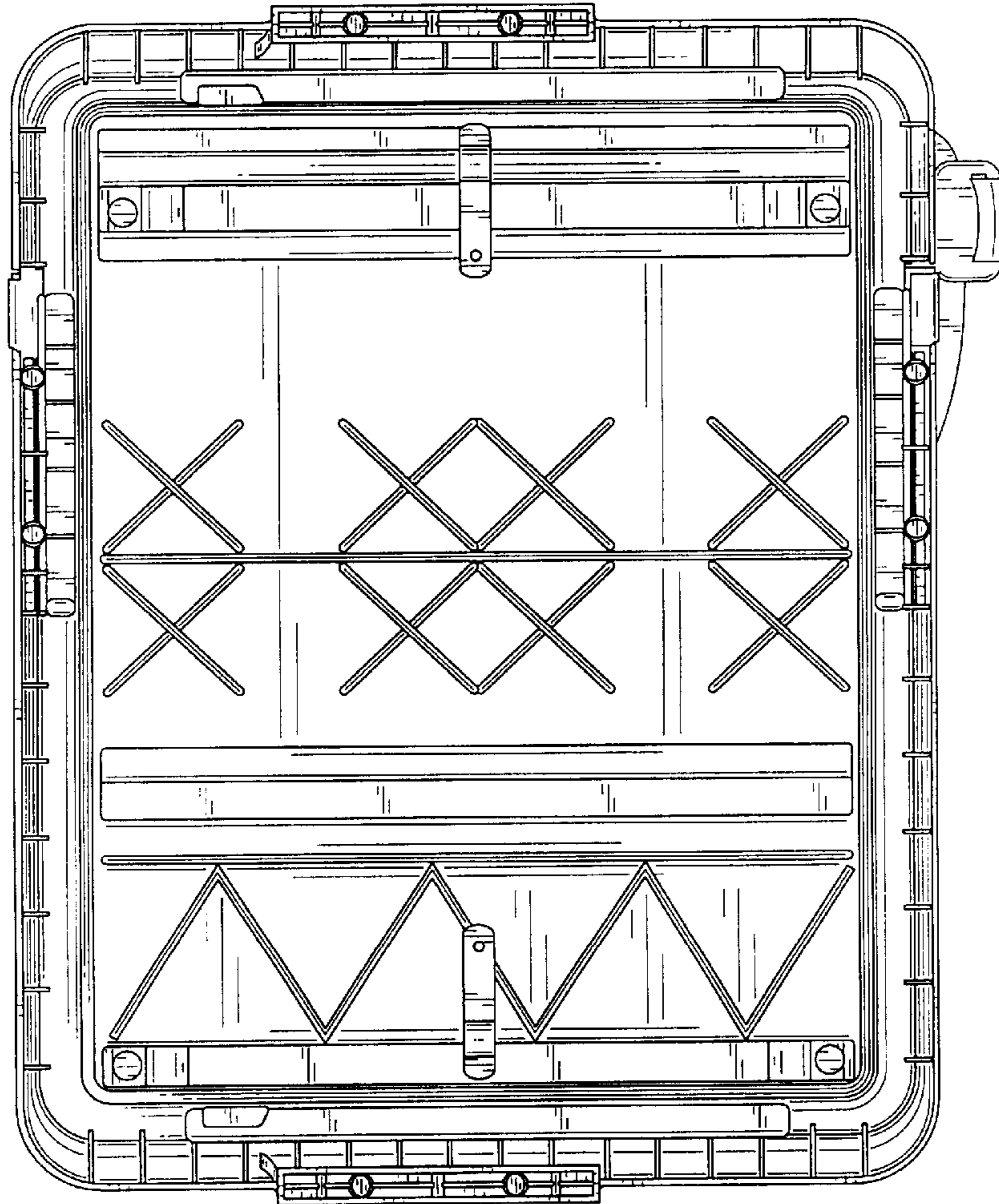


FIG. 8A

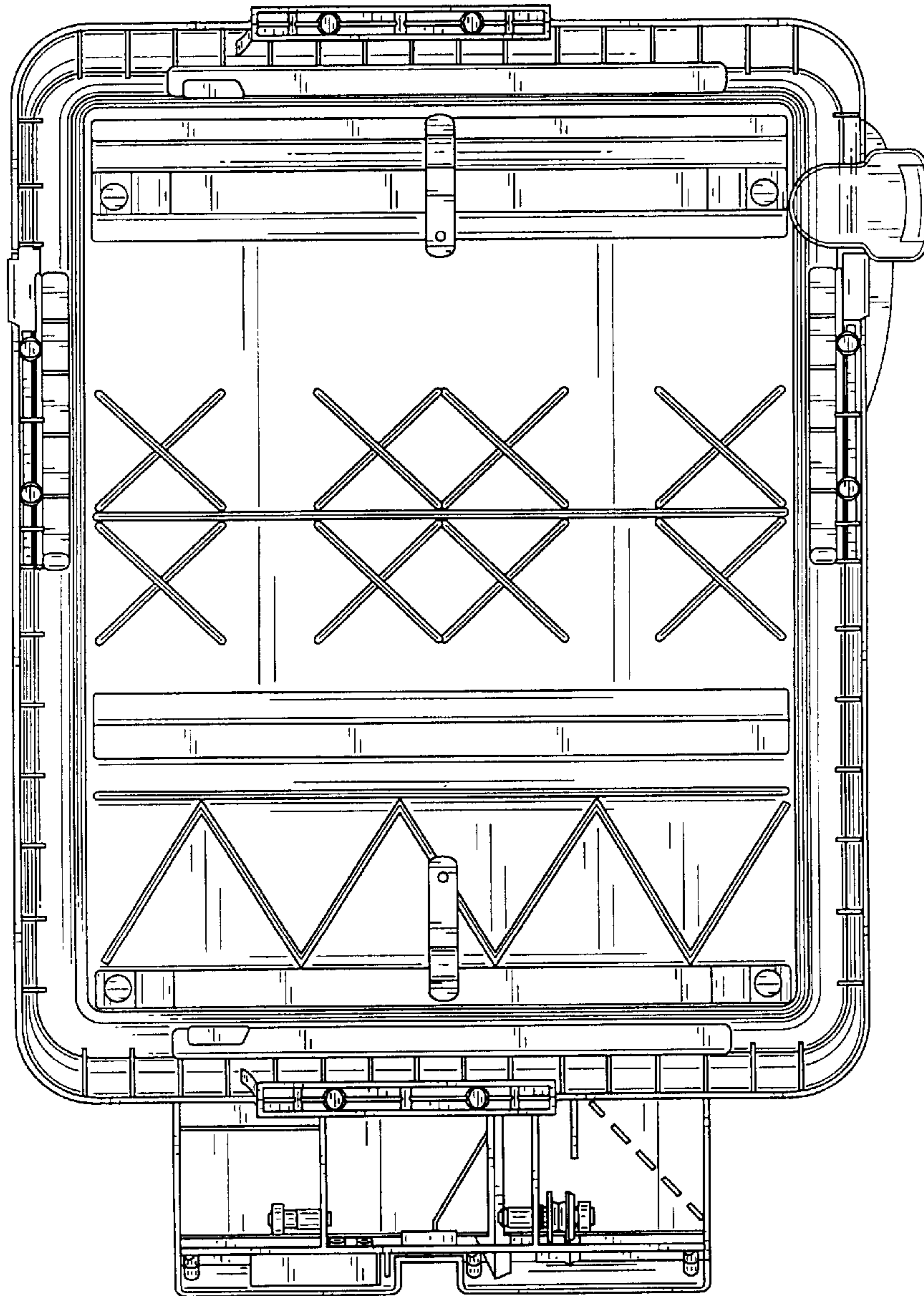


FIG. 8B