



US00D486160S

(12) **United States Design Patent**  
**Higashikawa et al.**

(10) **Patent No.:** **US D486,160 S**

(45) **Date of Patent:** **\*\* Feb. 3, 2004**

(54) **RIDING-TYPE MOWER**

D450,330 S \* 11/2001 Katoh et al. .... D15/15  
D457,898 S \* 5/2002 Fujii et al. .... D15/28

(75) Inventors: **Yoshitaka Higashikawa, Sakai (JP);  
Hideya Umemoto, Sakai (JP)**

\* cited by examiner

(73) Assignee: **Kubota Corporation, Osaka (JP)**

*Primary Examiner*—Mitchell Siegel  
(74) *Attorney, Agent, or Firm*—Webb Ziesenheim Logsdon  
Orkin & Hanson, P.C.

(\*\*) Term: **14 Years**

(21) Appl. No.: **29/166,656**

(57) **CLAIM**

(22) Filed: **Aug. 30, 2002**

The ornamental design for a riding-type mower, as shown  
and described.

(51) **LOC (7) Cl.** ..... **15-03**

**DESCRIPTION**

(52) **U.S. Cl.** ..... **D15/15**

(58) **Field of Search** ..... D15/14, 15; 56/13.3,  
56/13.4, 16.6, 16.7, 202, 320.1, 320.2,  
255, 294, 295; 180/89.1, 89.12, 900

FIG. 1 is a right side view of our riding-type mower;  
FIG. 2 is a left side view thereof;  
FIG. 3 is a front view thereof;  
FIG. 4 is a rear view thereof;  
FIG. 5 is a top plan view thereof;  
FIG. 6 is a perspective view (1) thereof;  
FIG. 7 is a perspective view (2) thereof;  
FIG. 8 is a perspective view (3) thereof;  
FIG. 9 is a perspective view (4) thereof; and,  
FIG. 10 is a reference perspective view thereof with a grass  
catcher being elevated.

(56) **References Cited**

**U.S. PATENT DOCUMENTS**

D239,459	S	*	4/1976	Musichuk	.....	D15/15
4,158,279	A	*	6/1979	Jackson	.....	56/202
5,138,825	A	*	8/1992	Trefz et al.	.....	56/11.1
D359,740	S	*	6/1995	Crosby et al.	.....	D15/15
D380,761	S	*	7/1997	Saylor	.....	D15/15
D409,208	S	*	5/1999	Eavenson et al.	.....	D15/15
D442,972	S	*	5/2001	Wolf	.....	D15/15

**1 Claim, 5 Drawing Sheets**





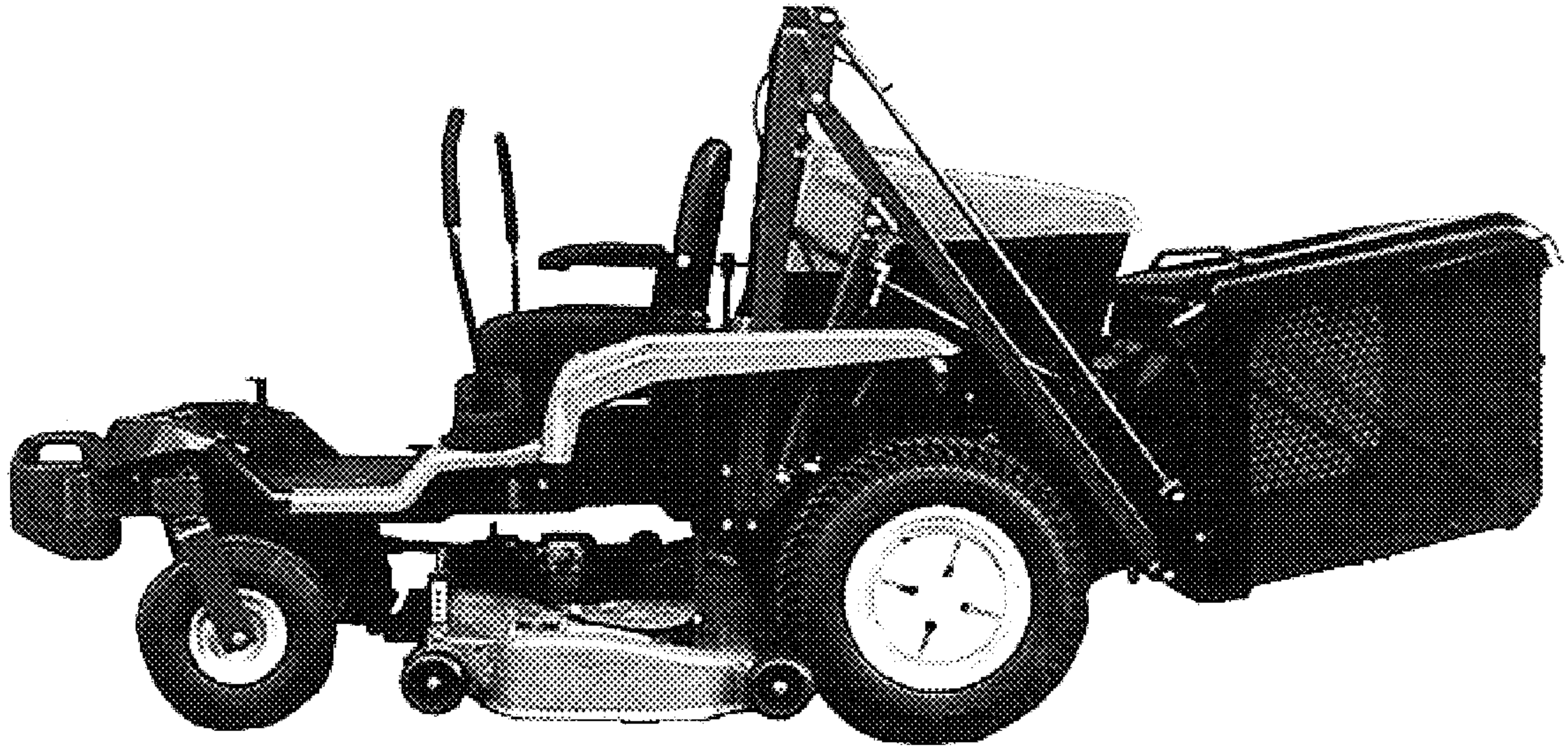


Fig. 1

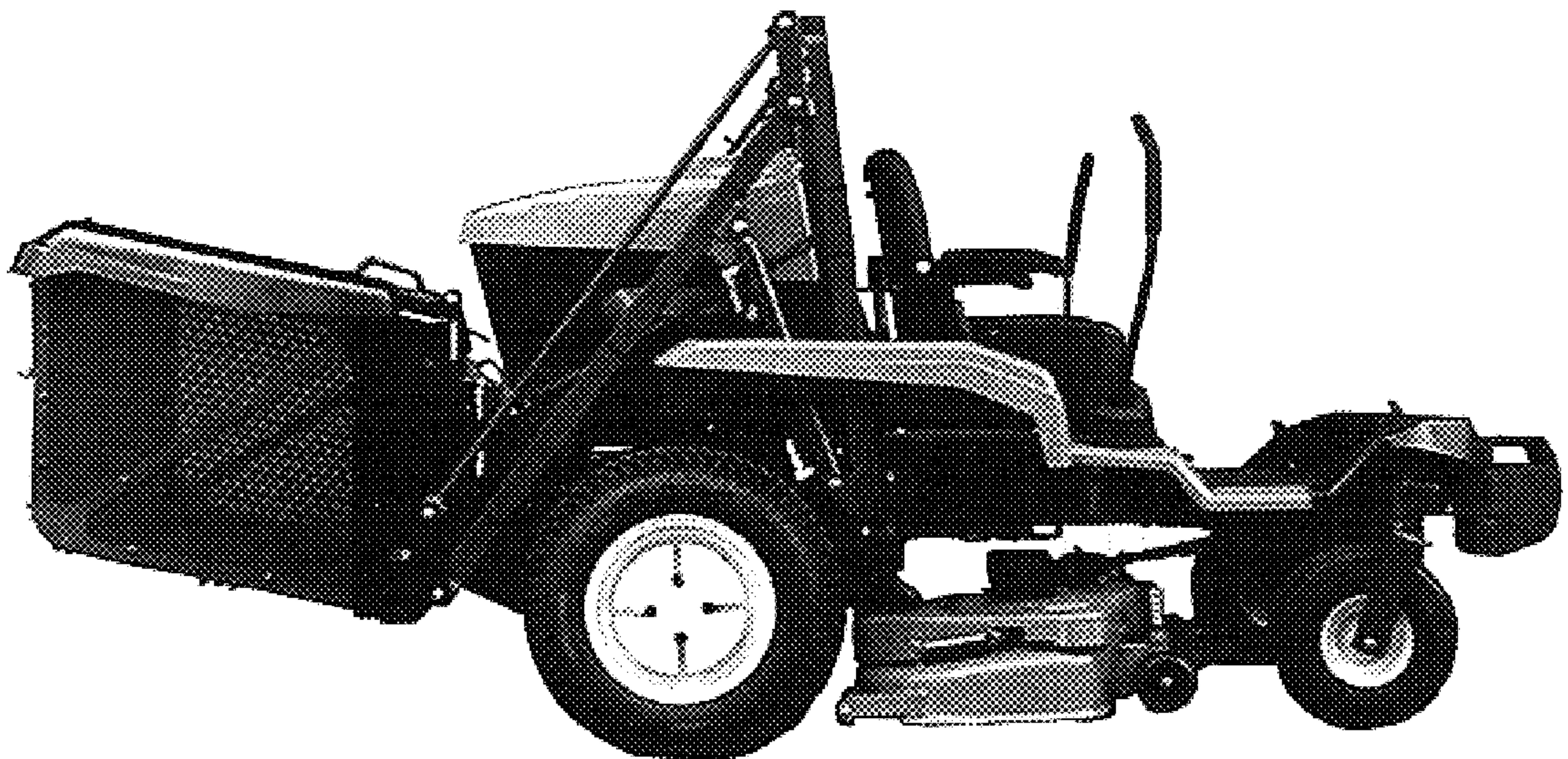


Fig. 2



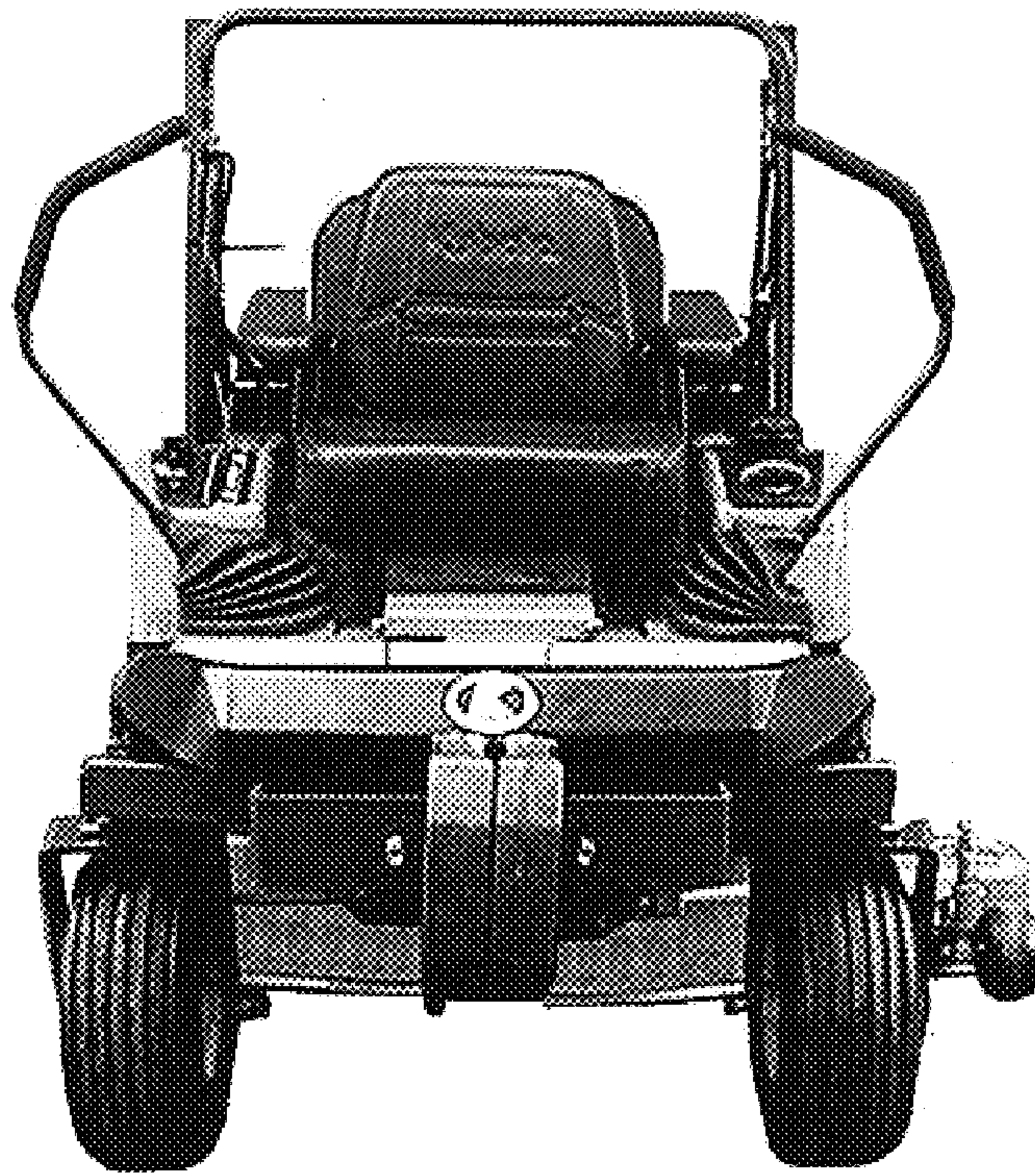


Fig. 3



Fig. 4



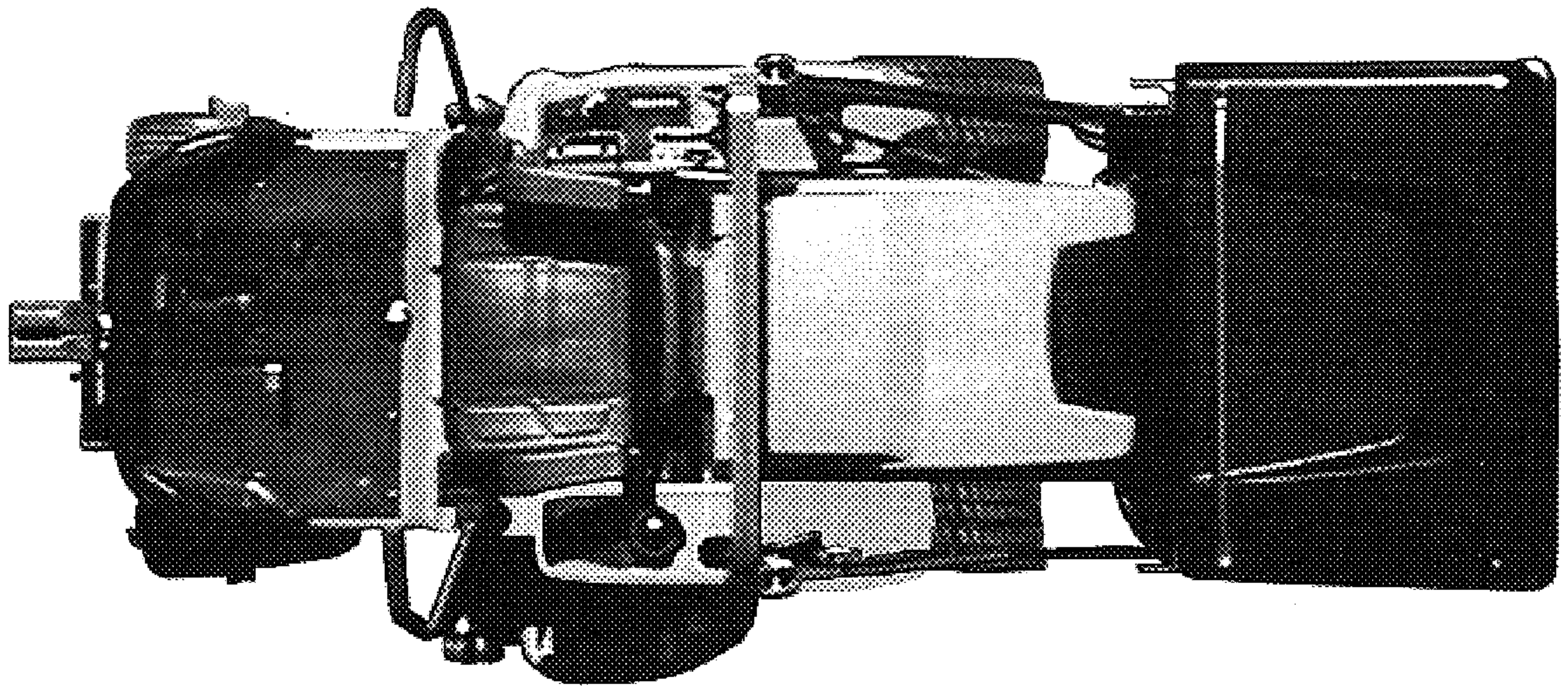


Fig. 5



Fig. 6





Fig. 7

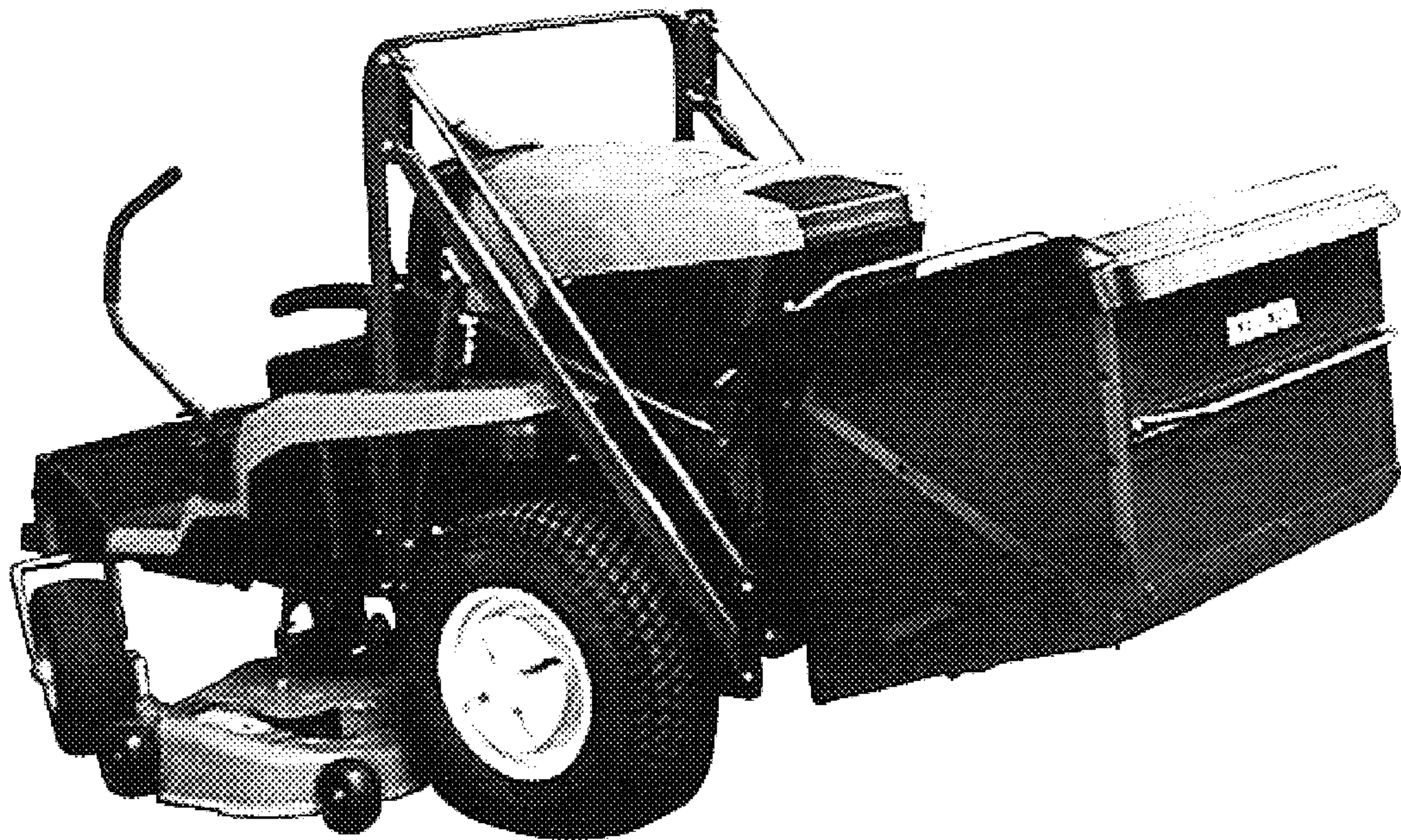


Fig. 8





Fig. 9

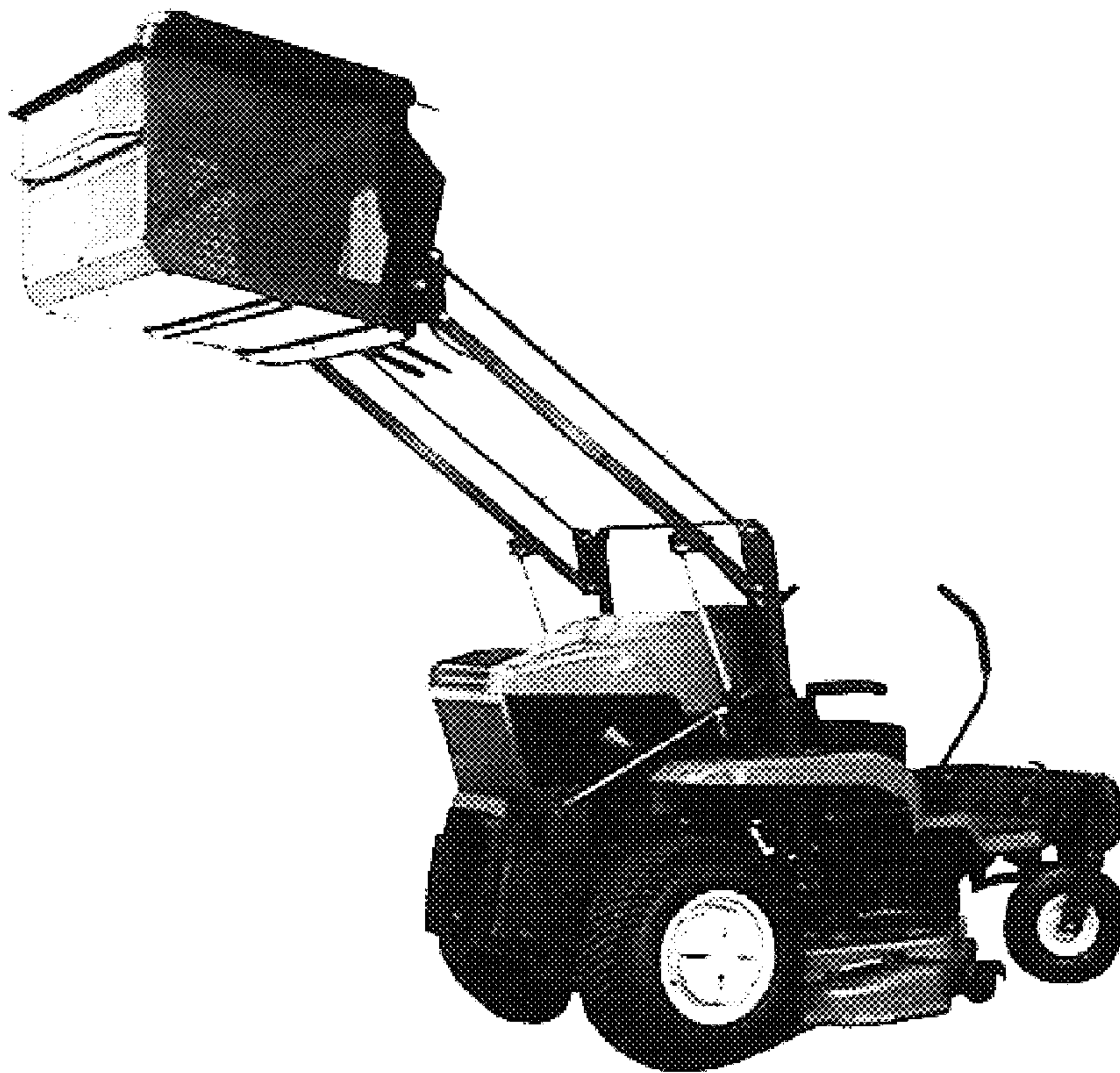


Fig. 10