



US00D486159S

(12) **United States Design Patent**
Poon

(10) **Patent No.:** **US D486,159 S**

(45) **Date of Patent:** **** Feb. 3, 2004**

(54) **AIR PUMP**

(75) **Inventor:** **Tit Wing Poon, Shatin (CN)**

(73) **Assignee:** **Flying Dragon Development Ltd.,
Shatin (CN)**

(**) **Term:** **14 Years**

(21) **Appl. No.:** **29/174,429**

(22) **Filed:** **Jan. 17, 2003**

(30) **Foreign Application Priority Data**

Jul. 19, 2002 (HK) 0211077

(51) **LOC (7) Cl.** **15-02**

(52) **U.S. Cl.** **D15/7**

(58) **Field of Search** D15/7-9; 417/194,
417/234, 321, 366, 405, 408-409, 902;
415/219.1

(56) **References Cited**

U.S. PATENT DOCUMENTS

D296,698 S * 7/1988 King D15/7
D301,245 S * 5/1989 Hefling D15/7
D405,806 S * 2/1999 Poon D15/7

D422,601 S * 4/2000 Bonzer D15/7
D425,914 S * 5/2000 Tsai D15/7
D435,049 S * 12/2000 Tsai D15/7
D453,342 S * 2/2002 Wu D15/7

* cited by examiner

Primary Examiner—Ralf Seifert

(74) *Attorney, Agent, or Firm*—Alix, Yale & Ristas, LLP

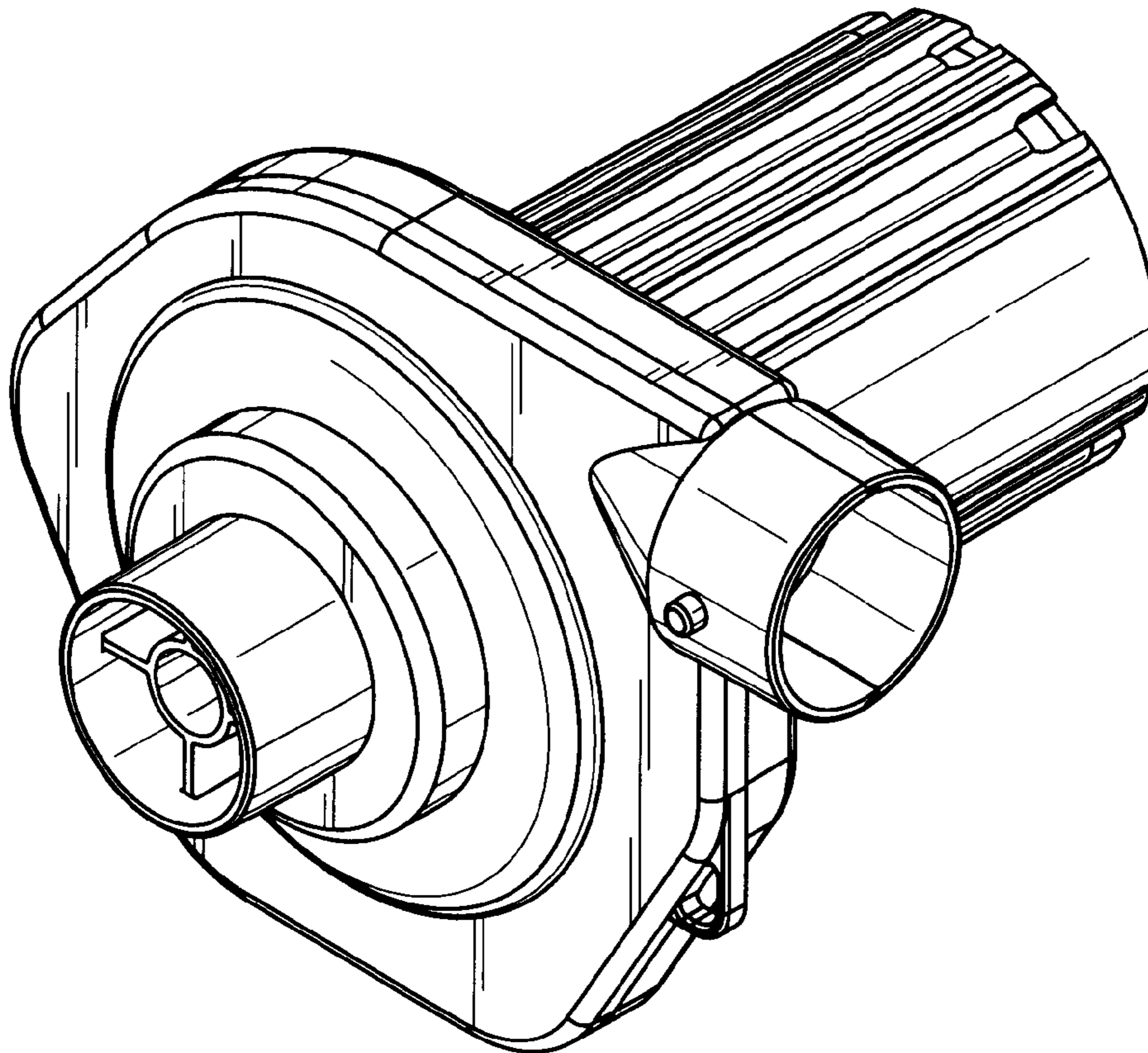
(57) **CLAIM**

The ornamental design for an air pump, as shown and described.

DESCRIPTION

FIG. 1 is a frontal perspective view of the air pump showing my new design taken generally from the right side;
FIG. 2 is a frontal perspective view of the air pump of FIG. 1 taken generally from the left side;
FIG. 3 is a front view of the air pump of FIG. 1;
FIG. 4 is a rear view of the air pump of FIG. 1;
FIG. 5 is a right side view of the air pump of FIG. 1;
FIG. 6 is a left side view of the air pump of FIG. 1;
FIG. 7 is a top plan view of the air pump of FIG. 1; and,
FIG. 8 is a bottom plan view of the air pump of FIG. 1.

1 Claim, 4 Drawing Sheets



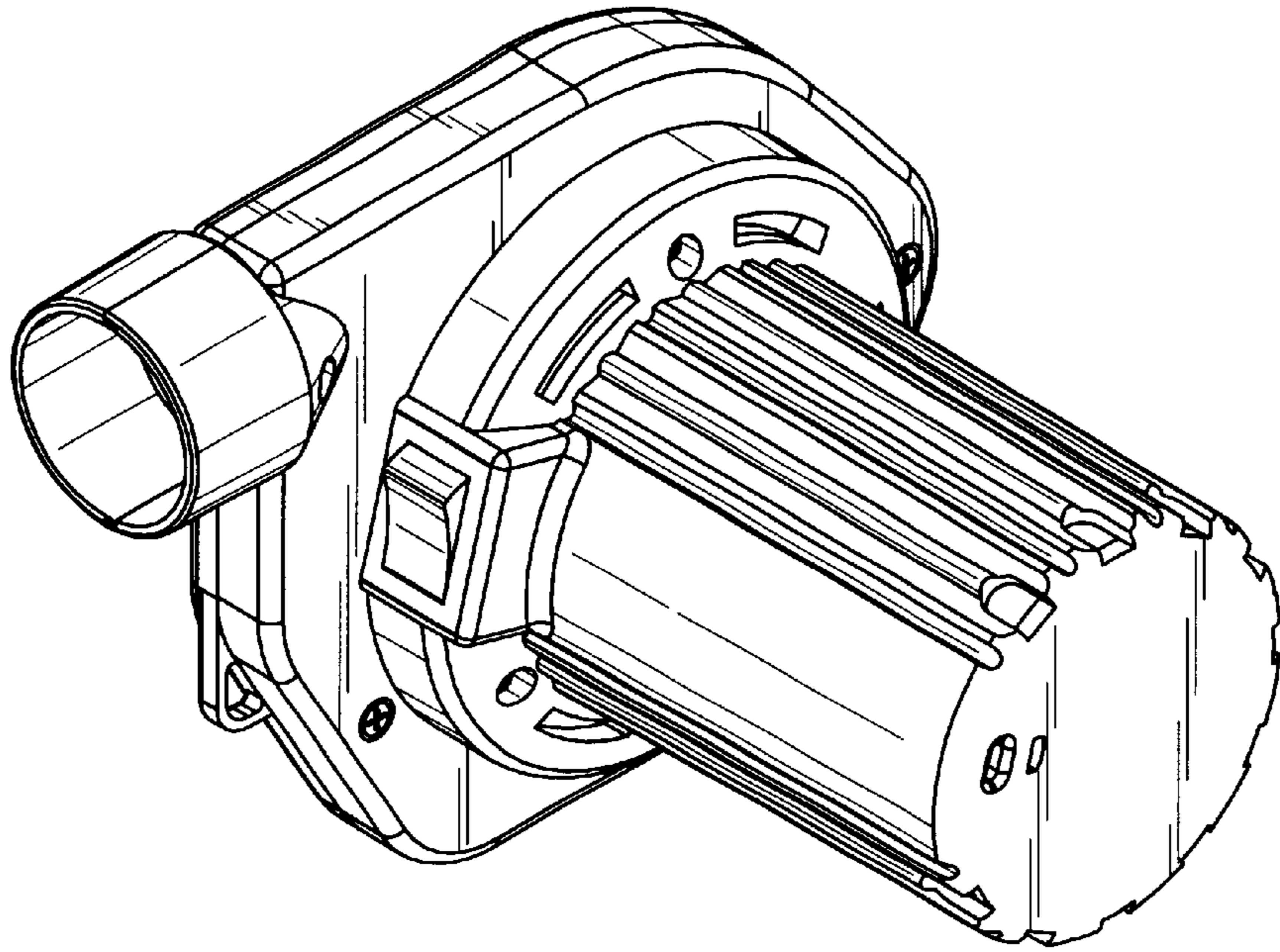


FIG. 1

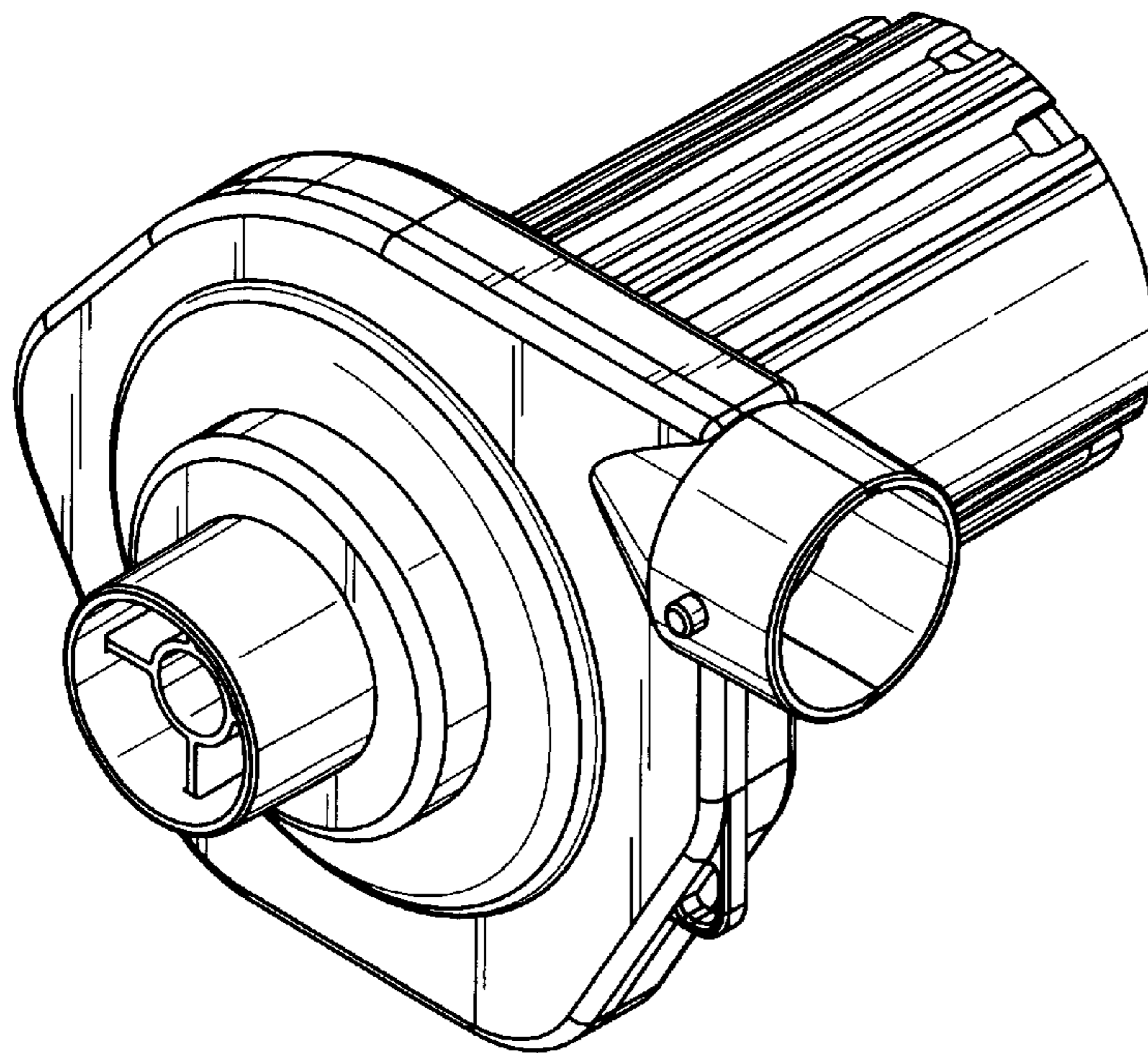


FIG. 2

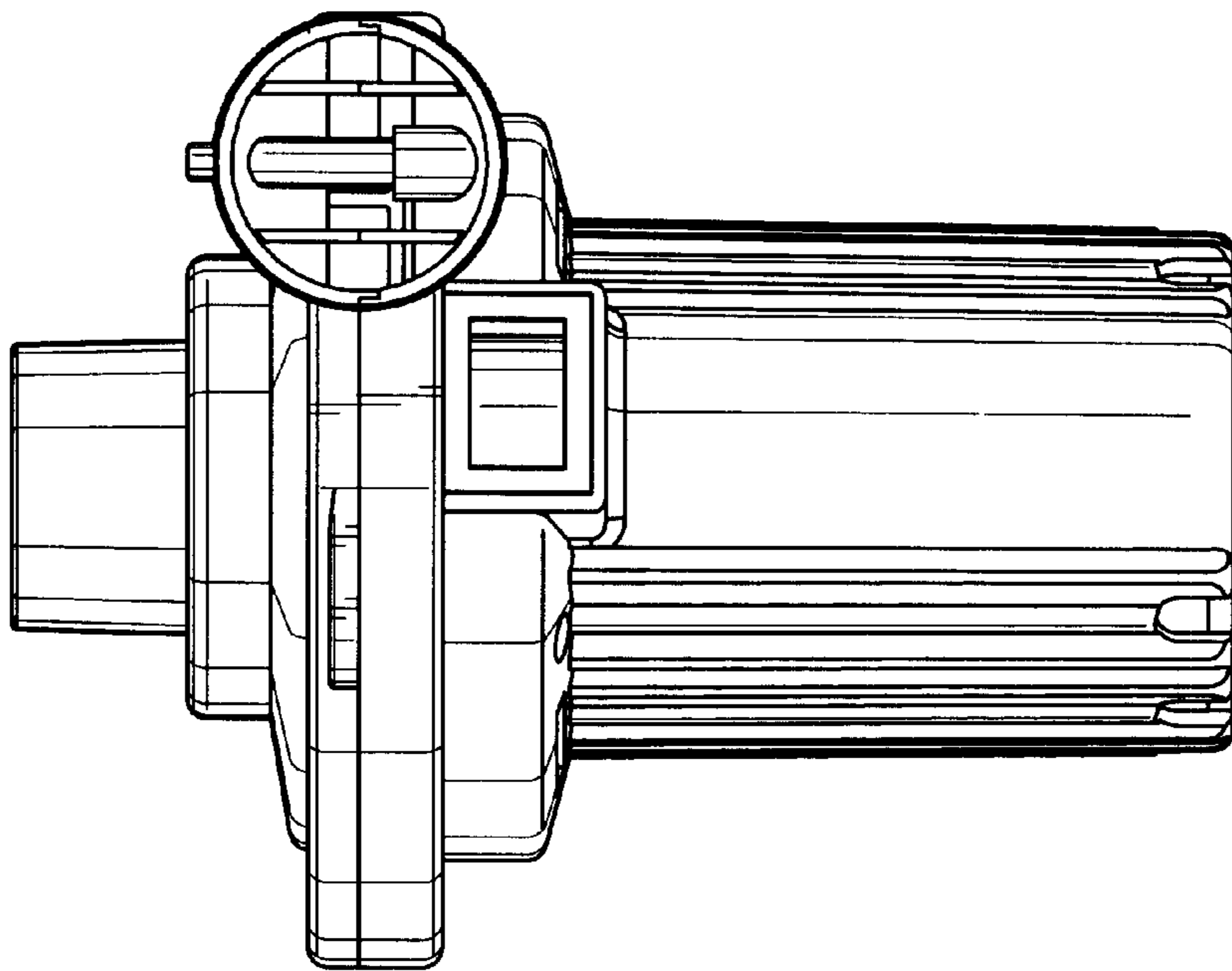


FIG. 3

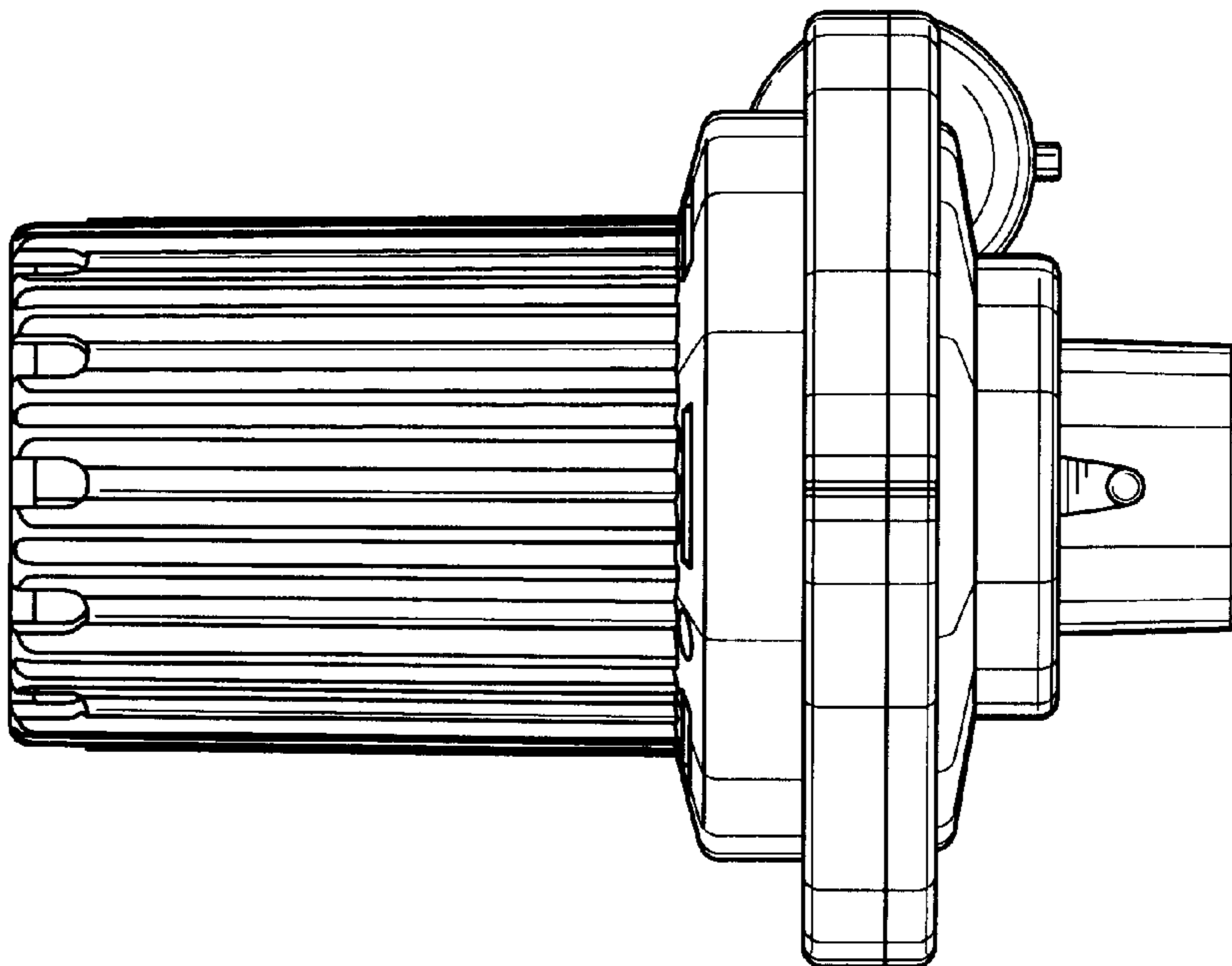


FIG. 4

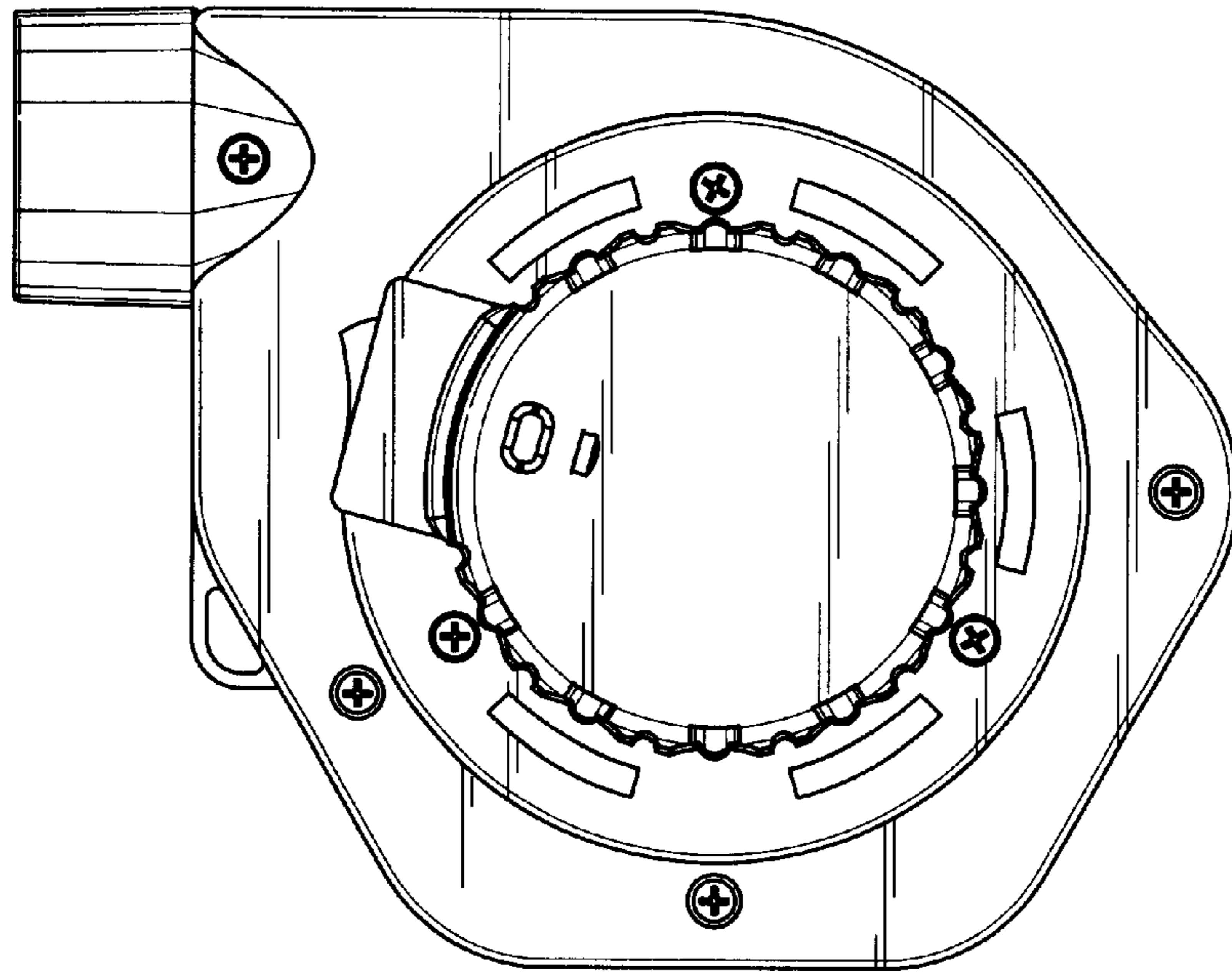


FIG. 5

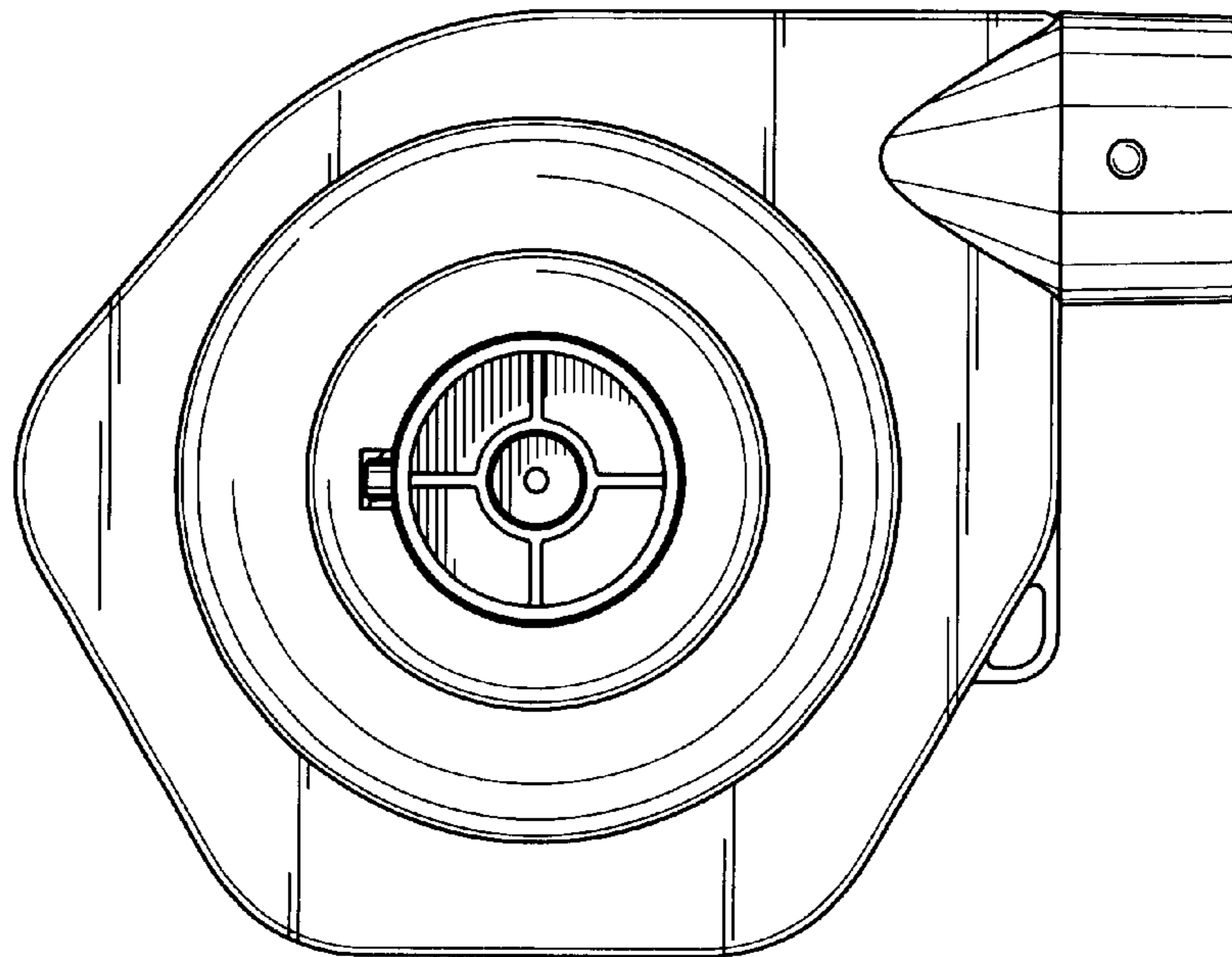


FIG. 6

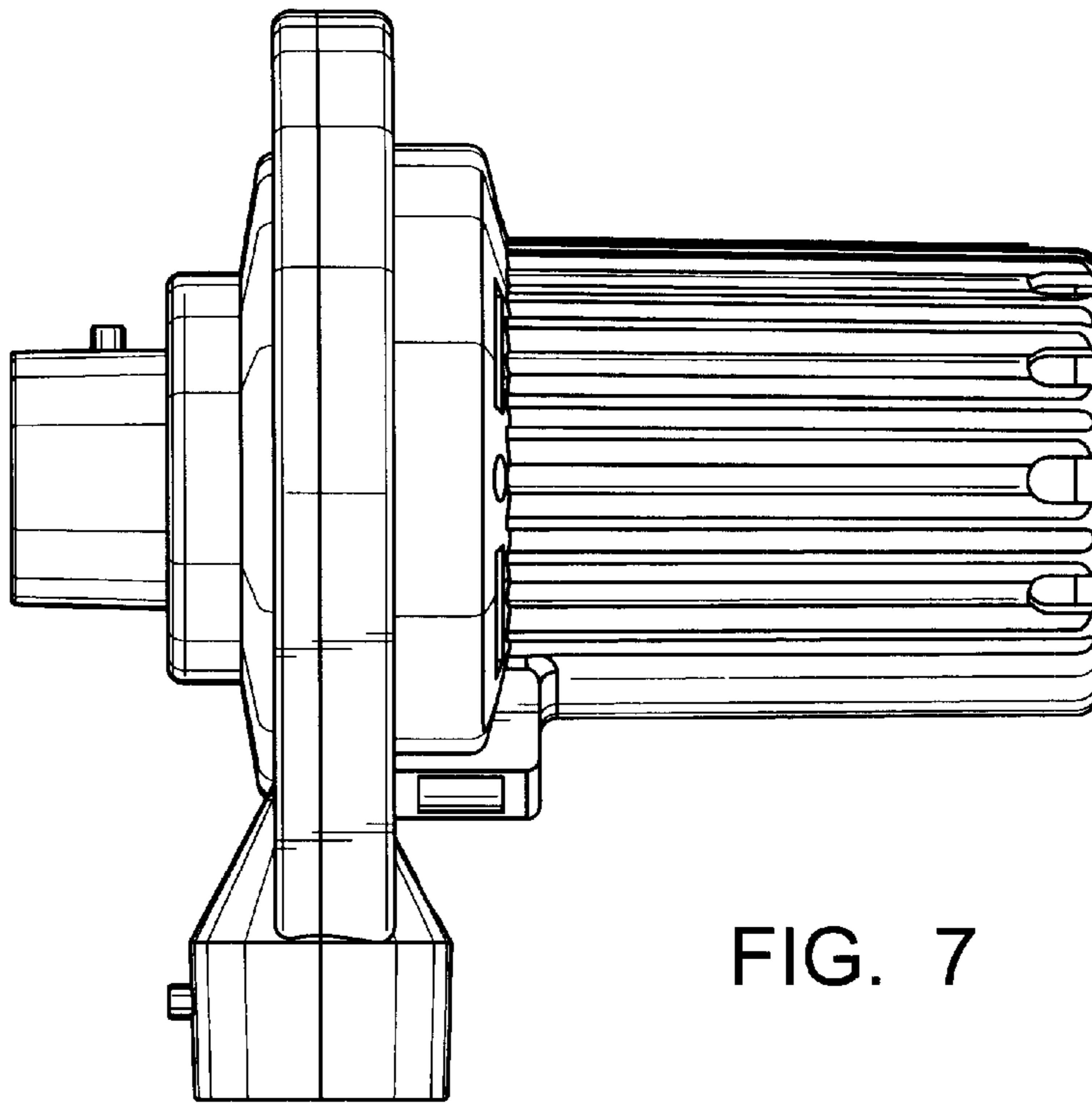


FIG. 7

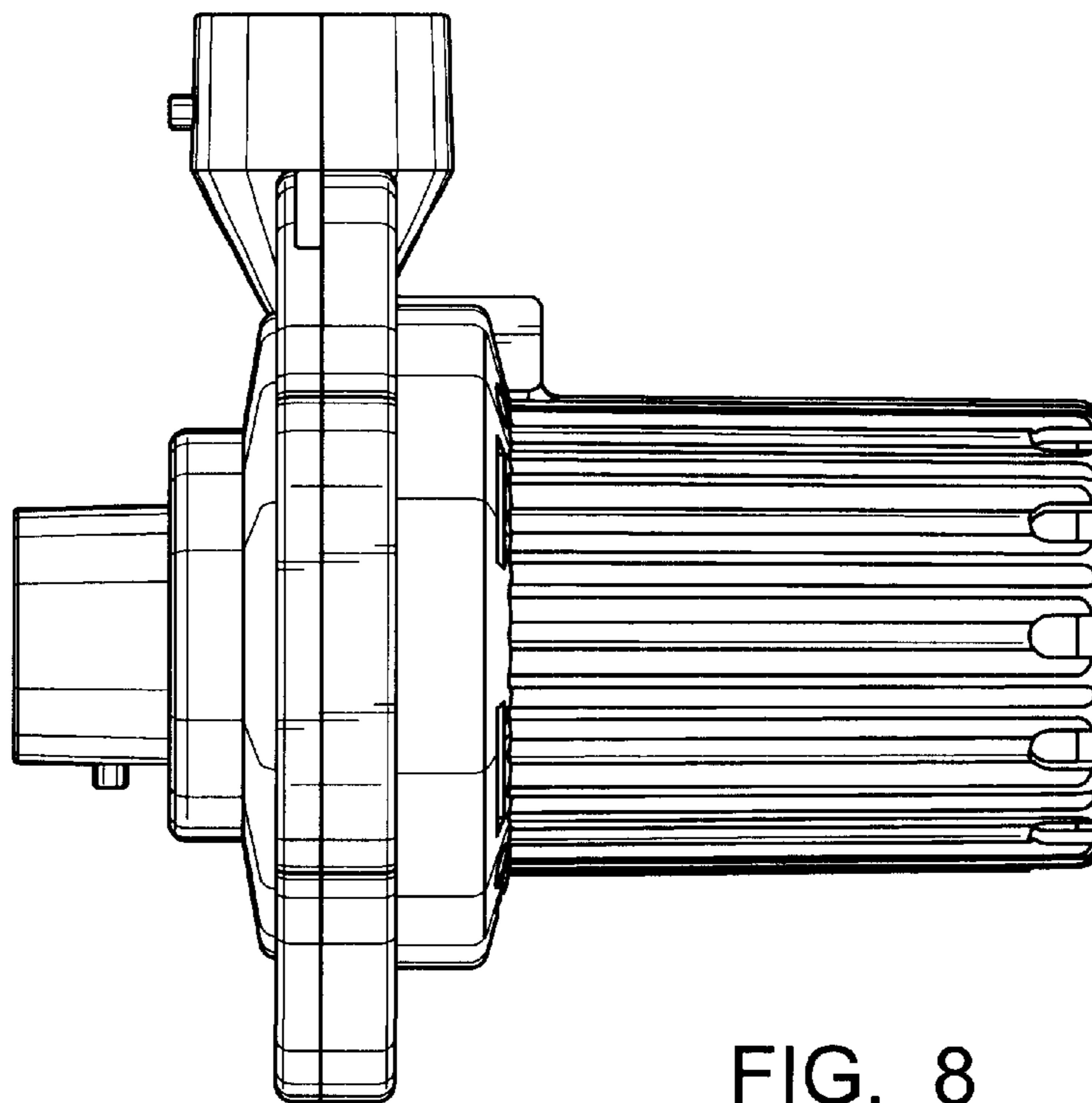


FIG. 8