



US00D486158S

(12) **United States Design Patent**
Lei et al.

(10) **Patent No.:** **US D486,158 S**

(45) **Date of Patent:** **** Feb. 3, 2004**

(54) **IMPELLER**

(75) Inventors: **Tsung-Yu Lei**, Taipei (TW);
Kuo-Cheng Lin, Taoyuan (TW);
Wen-Shi Huang, Taoyuan (TW)

(73) Assignee: **Delta Electronics Inc.**, Hsien (TW)

(**) Term: **14 Years**

(21) Appl. No.: **29/173,075**

(22) Filed: **Dec. 23, 2002**

(51) **LOC (7) Cl.** **15-02**

(52) **U.S. Cl.** **D15/7**

(58) **Field of Search** D15/7-9; 416/185,
416/188, 198 R, 198 A, 199.1, 186 R, 193 R

(56) **References Cited**

U.S. PATENT DOCUMENTS

2,465,671 A	*	3/1949	Millingen et al.	D15/7
4,093,401 A	*	6/1978	Gravelle	416/185
D258,588 S	*	3/1981	Sugiura	D15/7
D258,589 S	*	3/1981	Sugiura	D15/7
4,904,158 A	*	2/1990	Kun	416/183
5,328,333 A	*	7/1994	Quinn	416/193 R

5,588,803 A * 12/1996 Vetter et al. 416/186 R

5,620,306 A * 4/1997 Day 416/185

D382,881 S * 8/1997 Hoglund et al. D15/7

6,210,116 B1 * 4/2001 Kuczaj et al. 416/185

D443,281 S * 6/2001 Sodergard D15/7

* cited by examiner

Primary Examiner—Ralf Seifert

(74) *Attorney, Agent, or Firm*—Birch, Stewart, Kolasch & Birch, LLP

(57) **CLAIM**

The ornamental design for an impeller, as shown and described herein.

DESCRIPTION

FIG. 1 is a perspective view of an impeller showing our new design;

FIG. 2 is a right side view thereof;

FIG. 3 is a top view thereof;

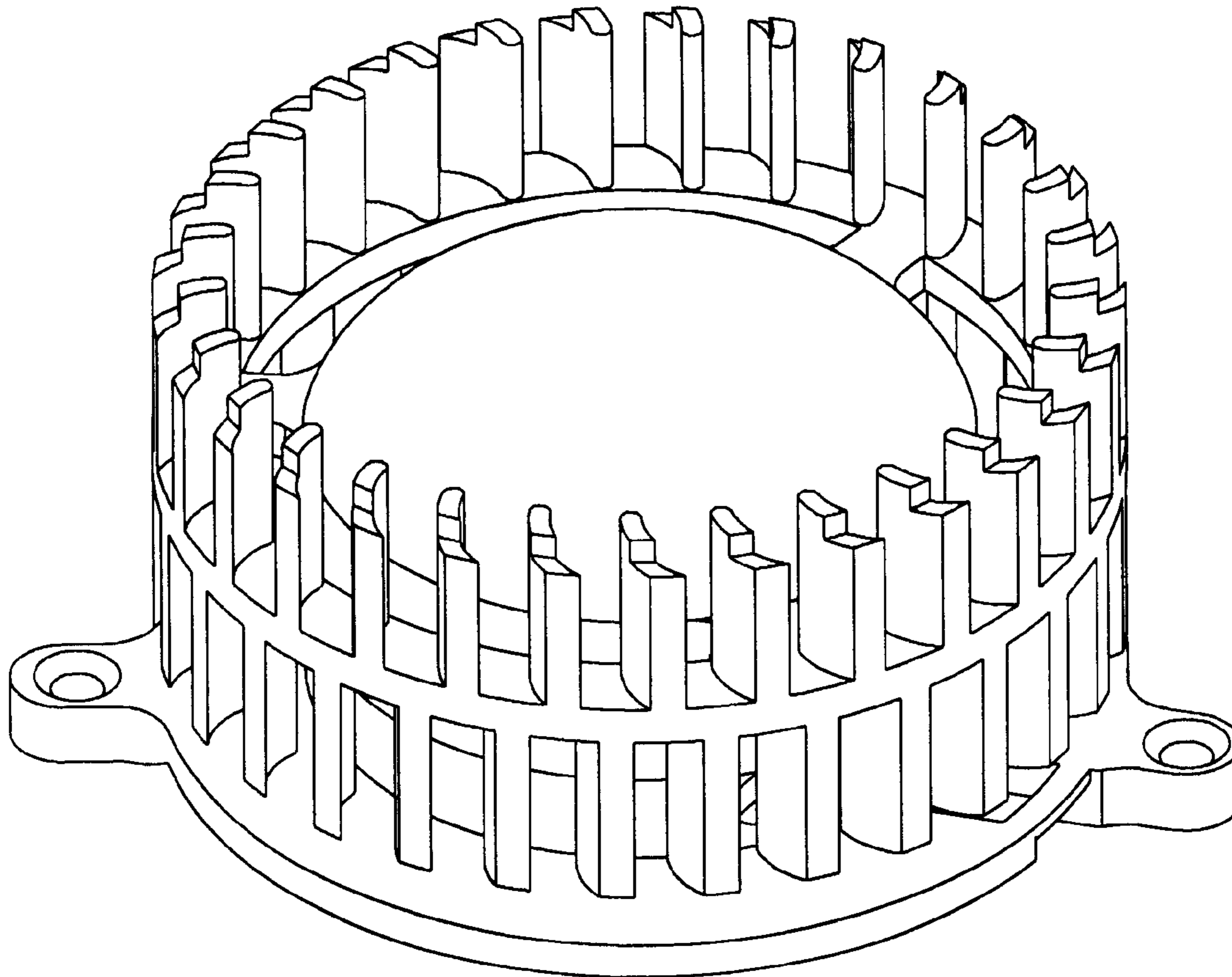
FIG. 4 is a front view thereof;

FIG. 5 is a bottom view thereof;

FIG. 6 is a left side view thereof; and,

FIG. 7 is a rear view thereof.

1 Claim, 5 Drawing Sheets



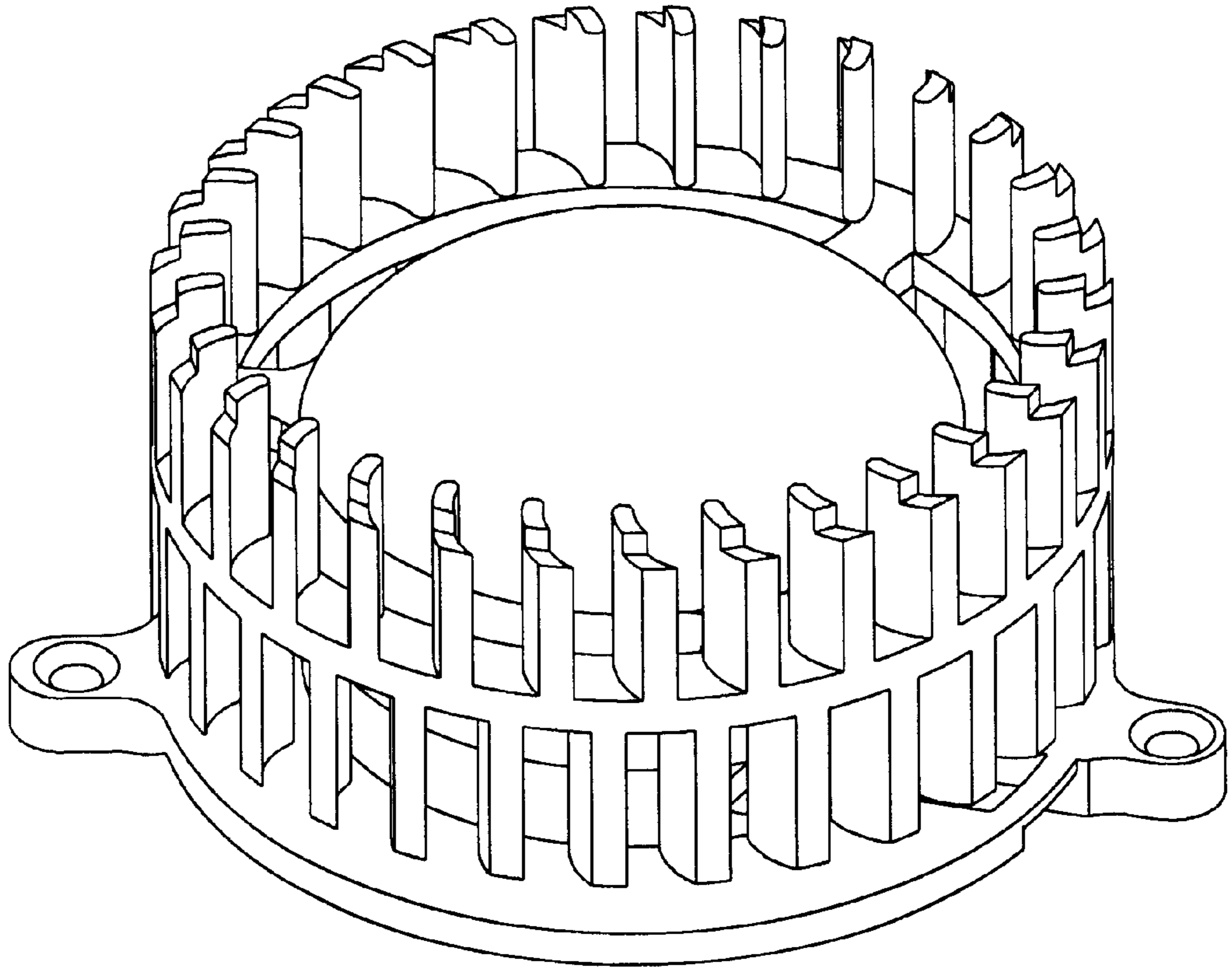


Fig. 1

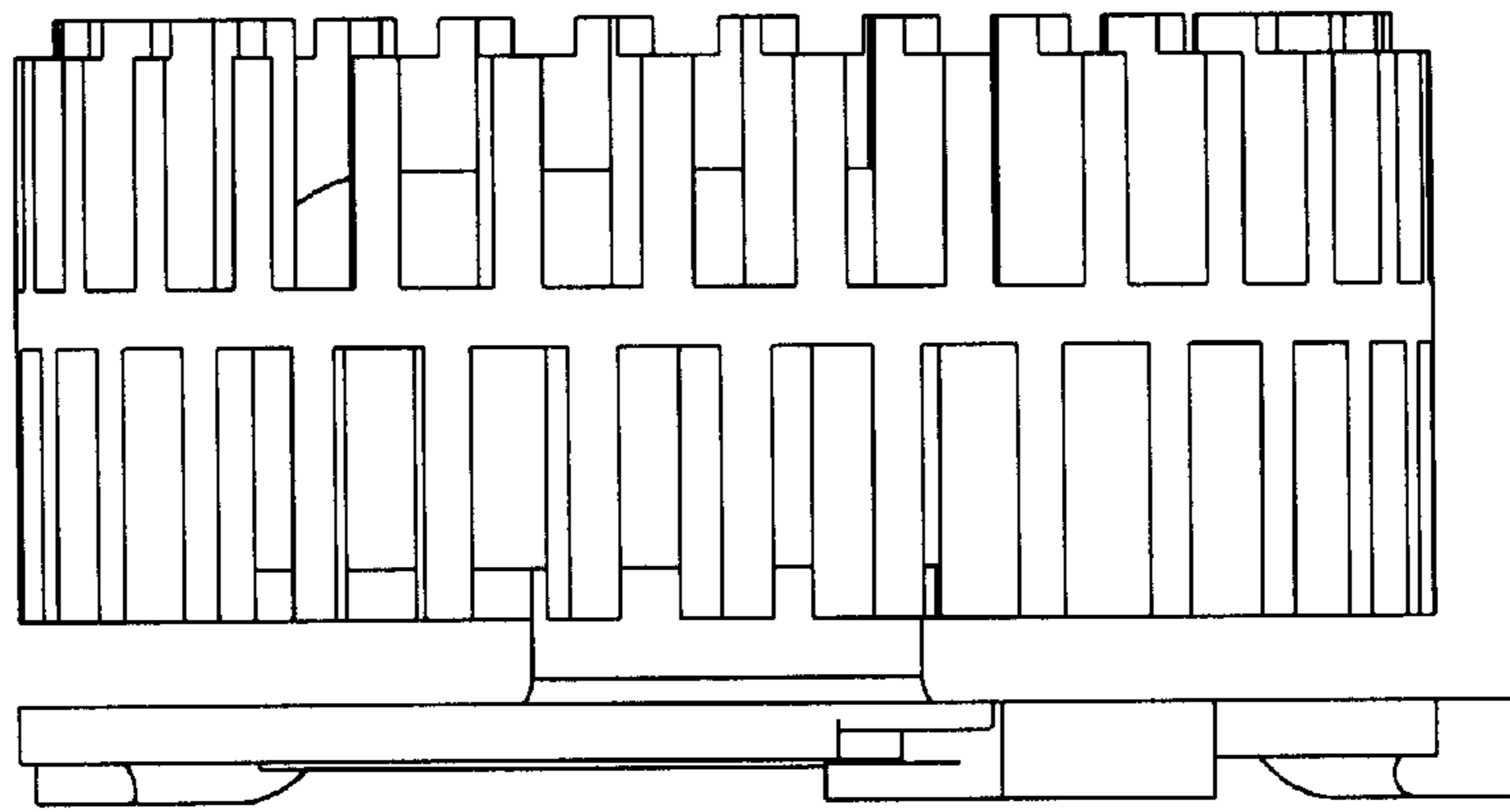


Fig. 2

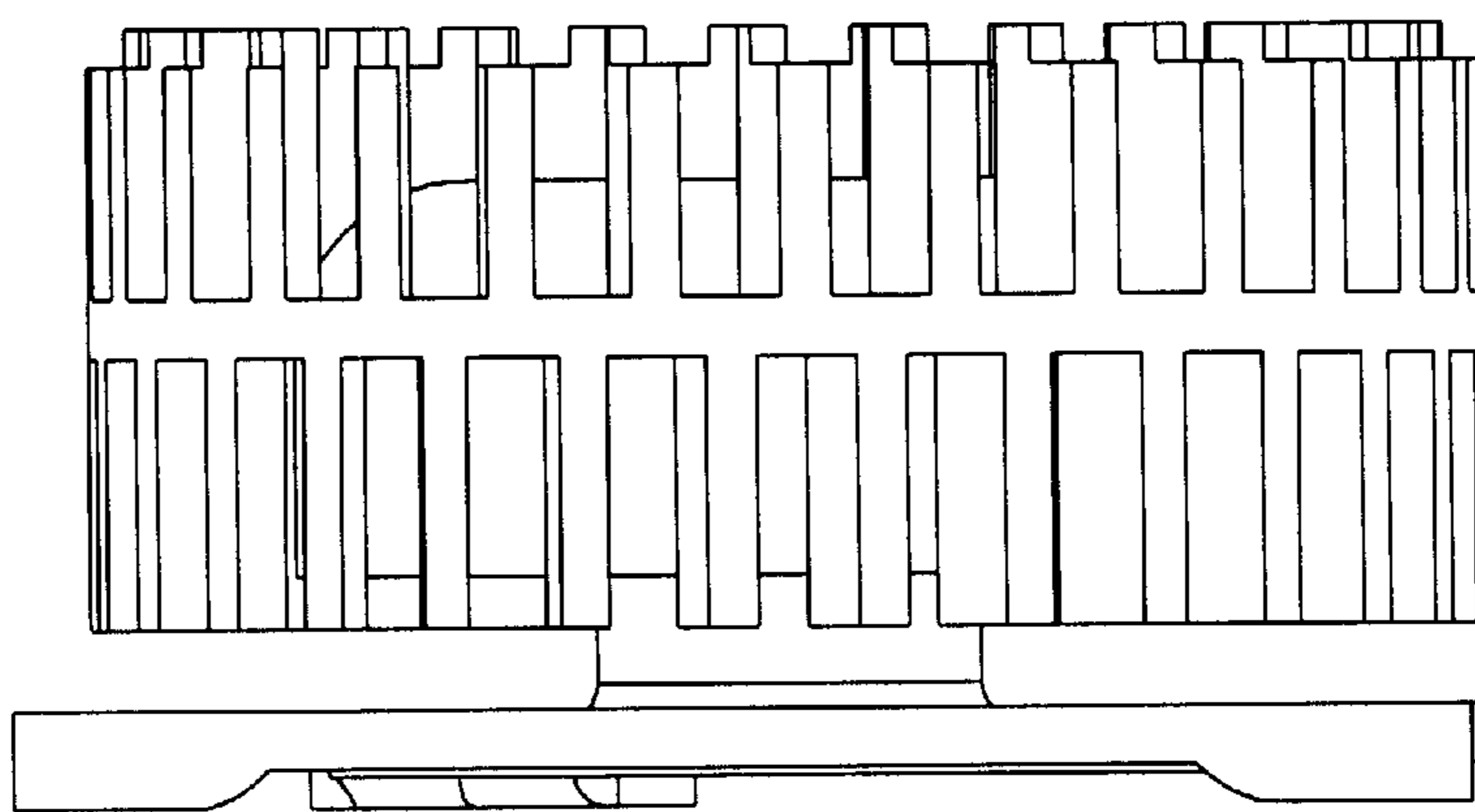


Fig. 6

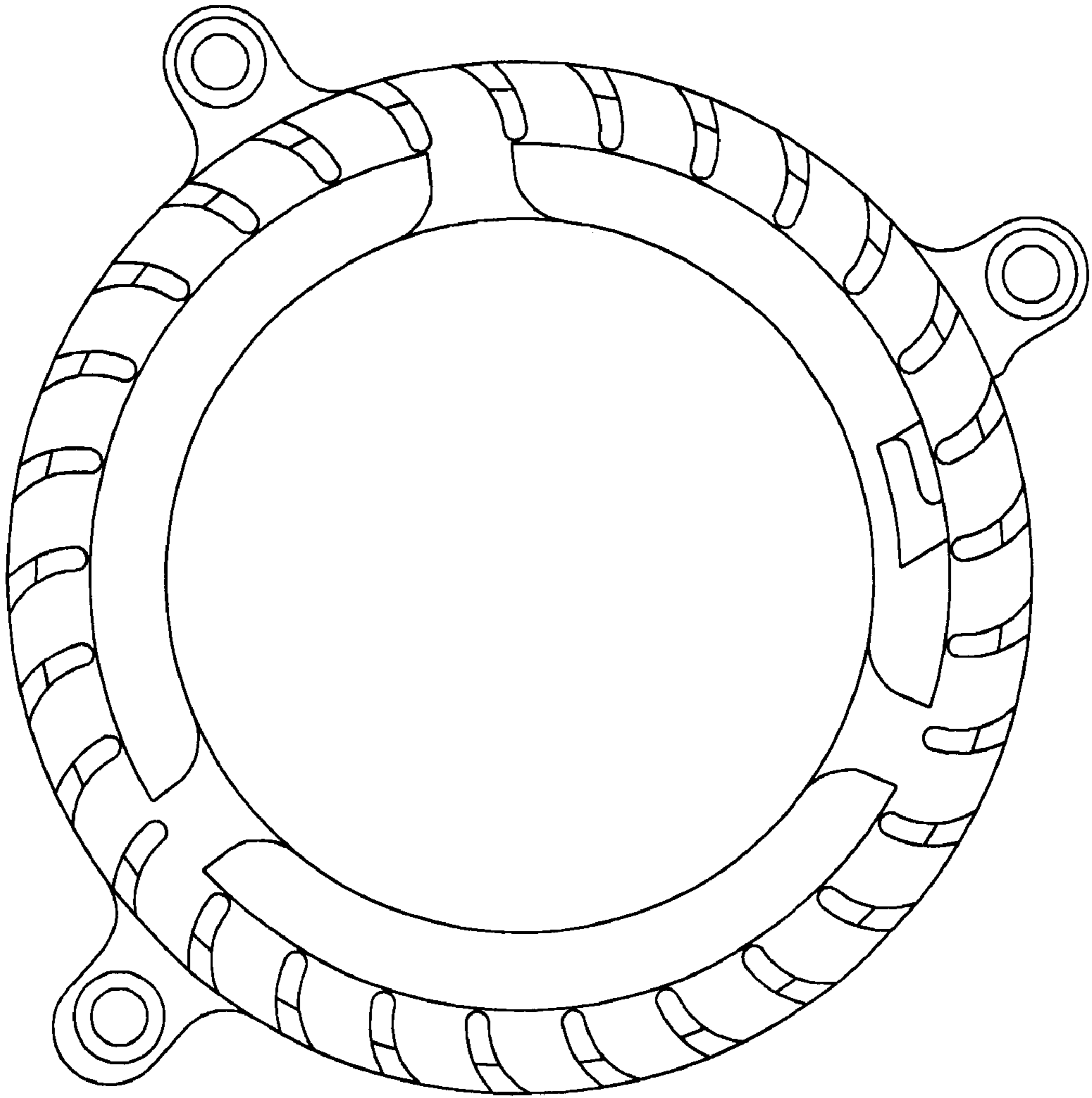


Fig. 3

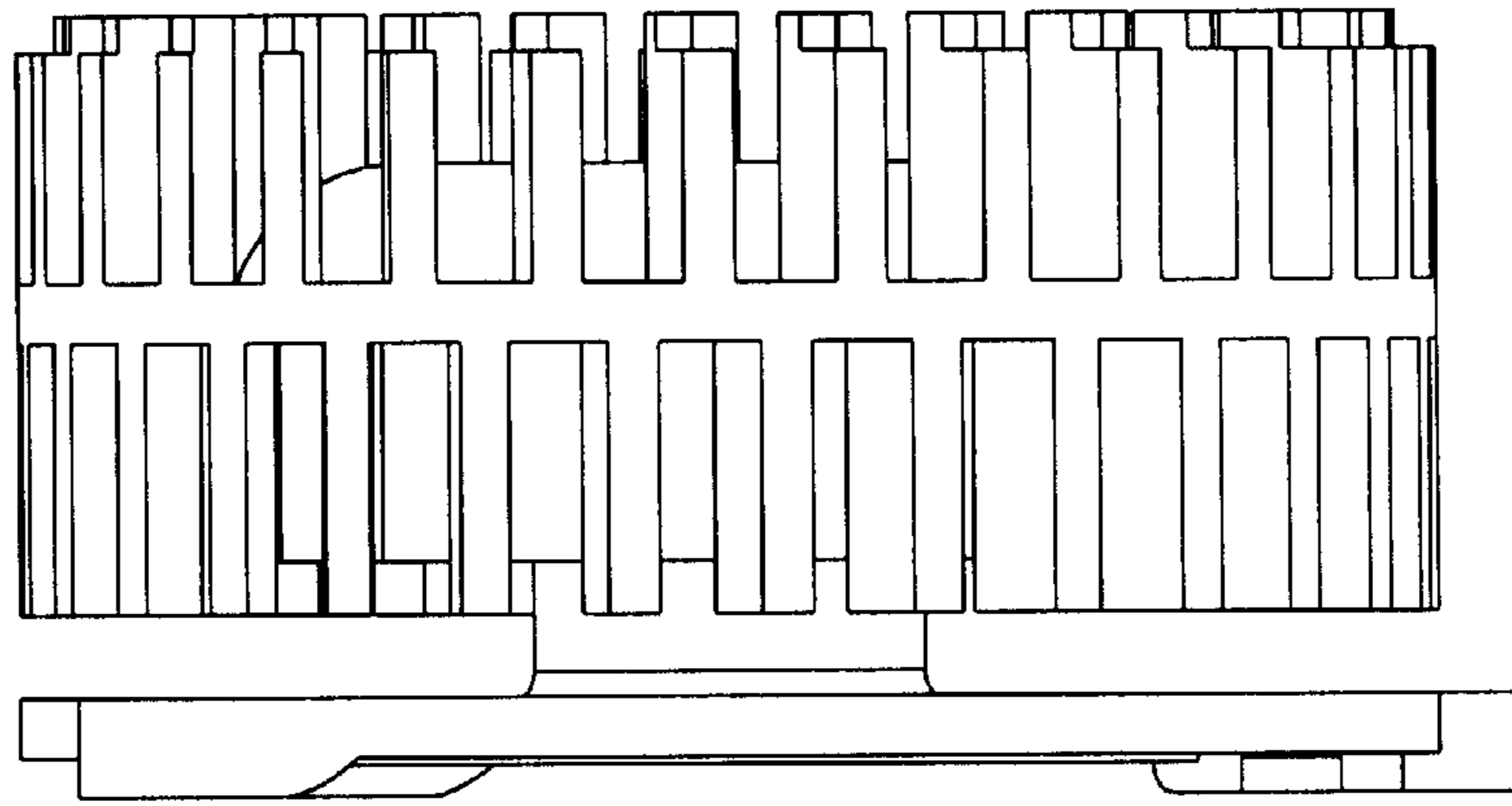


Fig. 4

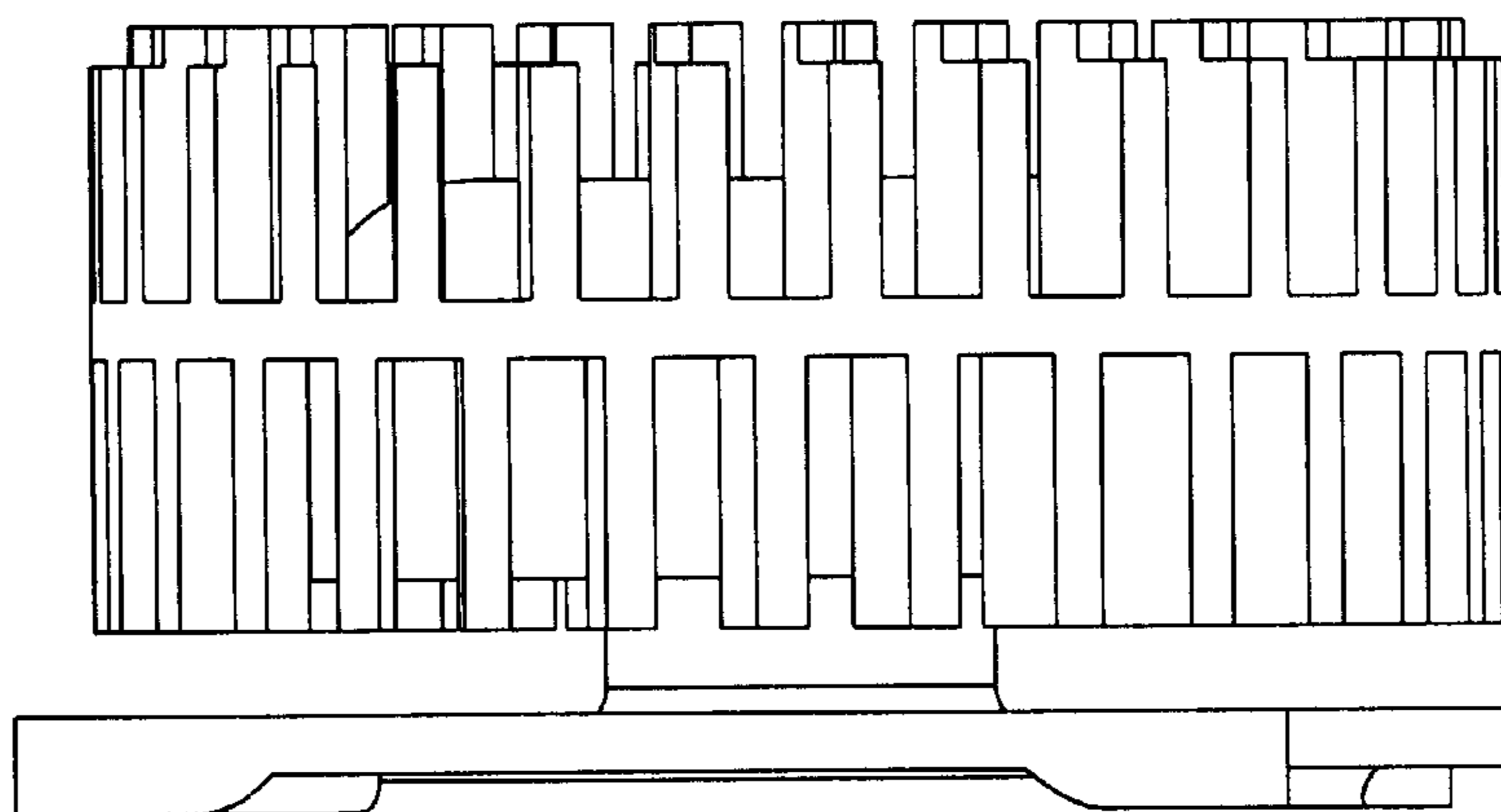


Fig. 7

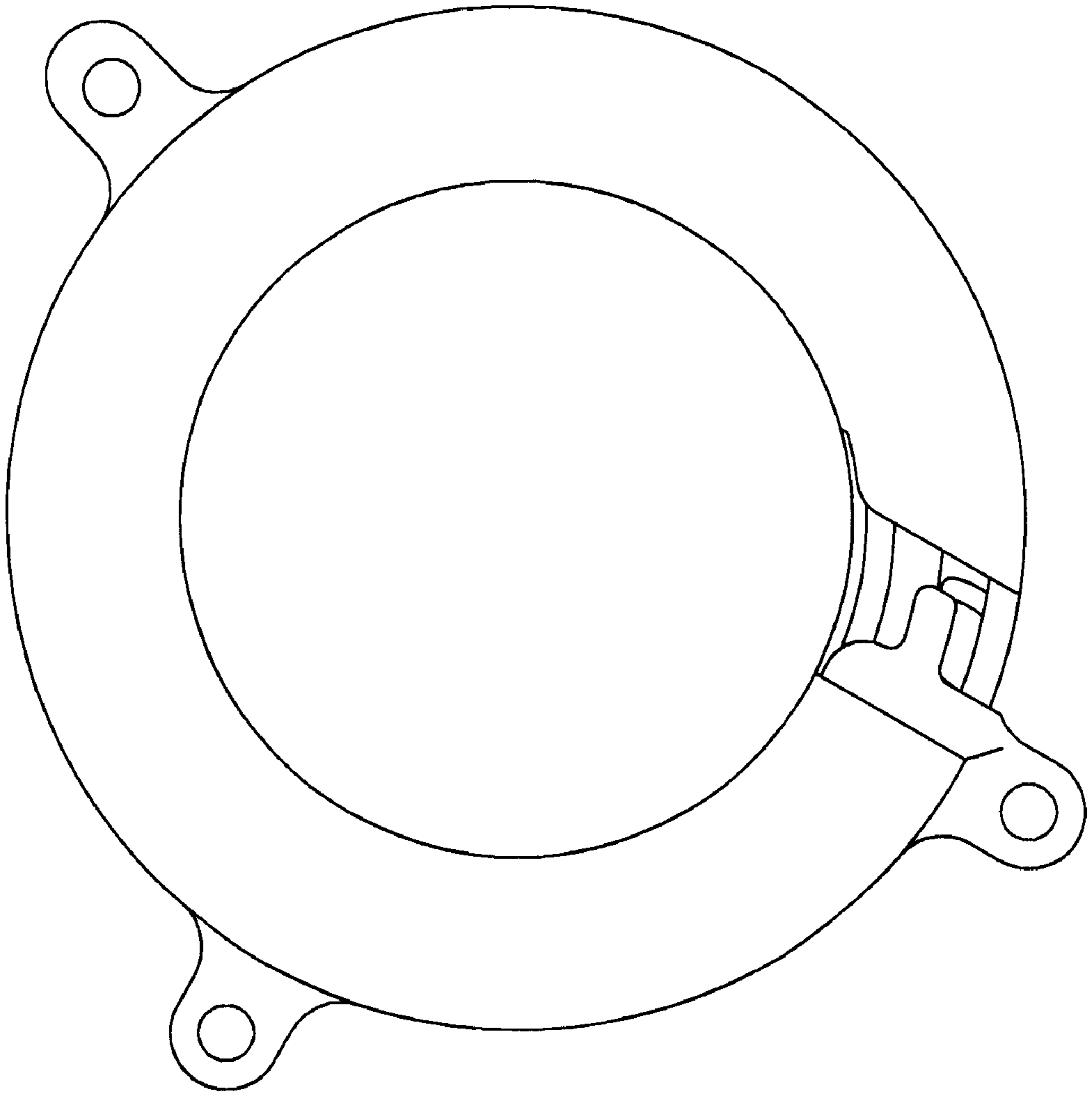


Fig. 5