



US00D486154S

(12) **United States Design Patent**
Nishio et al.

(10) **Patent No.:** **US D486,154 S**

(45) **Date of Patent:** **** Feb. 3, 2004**

(54) **ATTACHING DEVICE OF RECORDING MEDIUM**

(75) Inventors: **Atsushi Nishio**, Ibaraki-ken (JP);
Takashi Kawasaki, Ibaraki-ken (JP);
Satoru Karahashi, Ibaraki-ken (JP)

(73) Assignee: **Mitsumi Electric Co., Ltd.**, Tokyo (JP)

(**) Term: **14 Years**

(21) Appl. No.: **29/178,672**

(22) Filed: **Mar. 31, 2003**

(30) **Foreign Application Priority Data**

Sep. 30, 2002 (JP) 2002-026669

(51) **LOC (7) Cl.** **14-99**

(52) **U.S. Cl.** **D14/474**

(58) **Field of Search** D14/474, 475,
D14/478, 481, 483, 435, 432, 433; D21/332,
324; 360/131, 132, 133, 134, 135, 900,
55, 68, 97.01; 463/43-47

(56) **References Cited**

U.S. PATENT DOCUMENTS

4,608,617 A * 8/1986 Oishi et al. 360/133
6,146,277 A * 11/2000 Okeda 463/44
D458,610 S * 6/2002 Kadonaga D14/474
6,508,428 B2 * 1/2003 Hoge et al. 360/132

D472,242 S * 3/2003 Tomino D14/433
6,533,204 B2 * 3/2003 Ishihara et al. 360/132
D474,772 S * 5/2003 Deguchi et al. D14/433
D474,773 S * 5/2003 Kondo D14/435
6,595,860 B1 * 7/2003 Yamamoto et al. 463/44

FOREIGN PATENT DOCUMENTS

JP 949123 3/1996

* cited by examiner

Primary Examiner—Prabhakar Deshmukh

(74) *Attorney, Agent, or Firm*—Sughrue Mion, PLLC

(57) **CLAIM**

The ornamental design for an attaching device of recording medium, as shown.

DESCRIPTION

FIG. 1 is a perspective view of the top, front and right side of an attaching device of recording medium as shown in our new design;

FIG. 2 is a perspective view of the bottom, rear and left side thereof;

FIG. 3 is a front elevational view thereof;

FIG. 4 is a rear elevational view thereof;

FIG. 5 is a right side elevational view thereof;

FIG. 6 is a left side elevational view thereof;

FIG. 7 is a top plan view thereof; and,

FIG. 8 is a bottom plan view thereof.

1 Claim, 6 Drawing Sheets

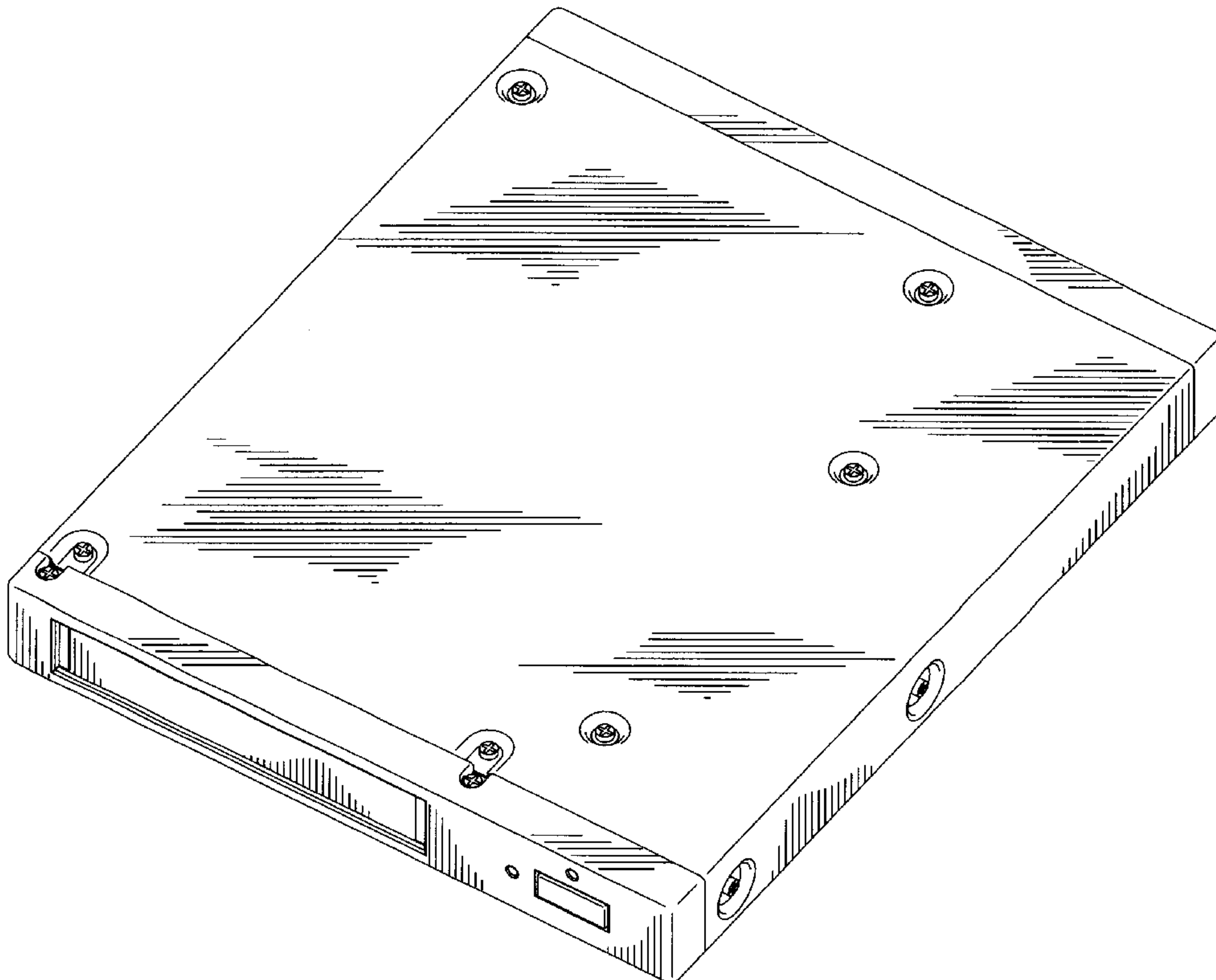


FIG. 1

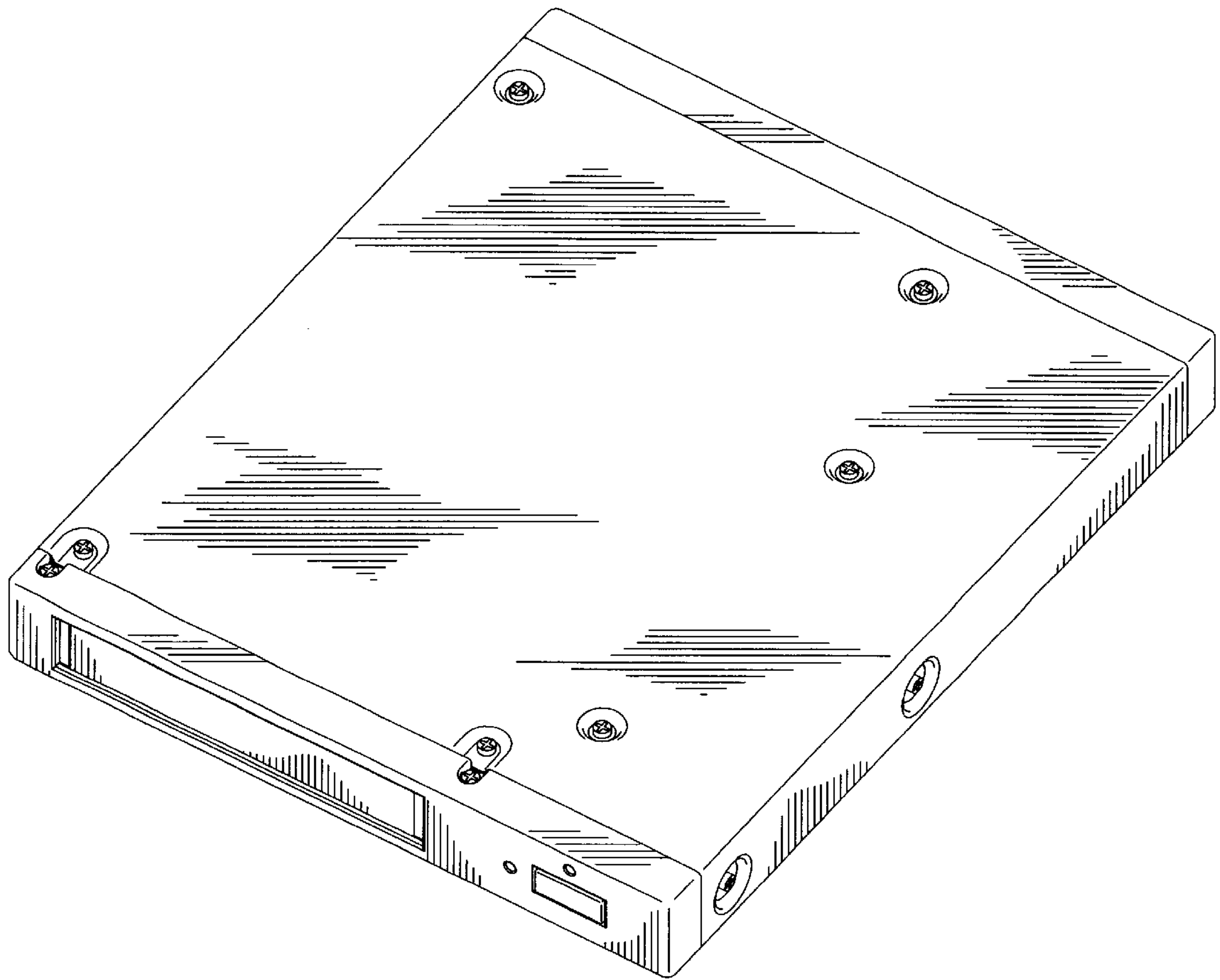


FIG. 2

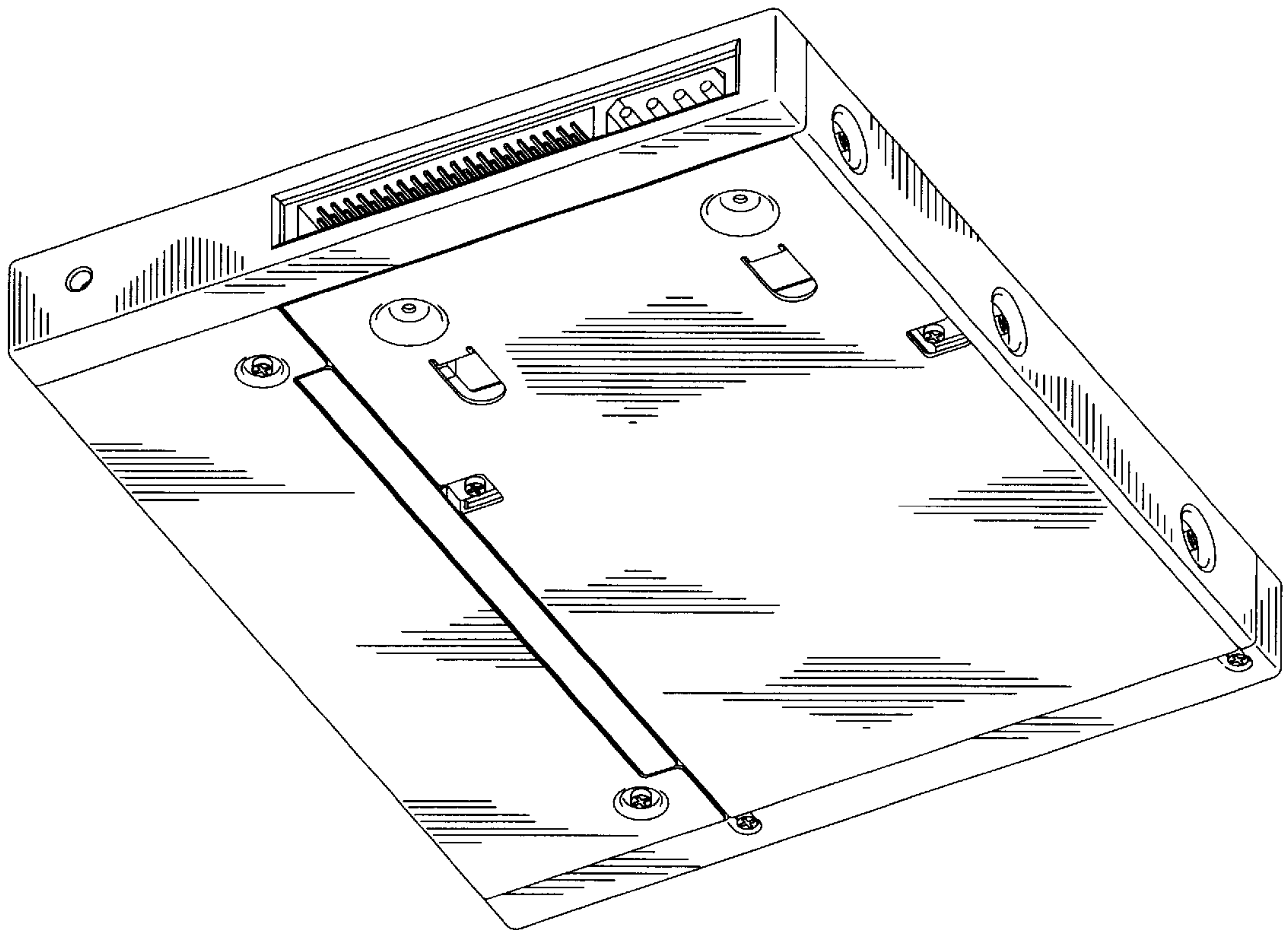


FIG. 3

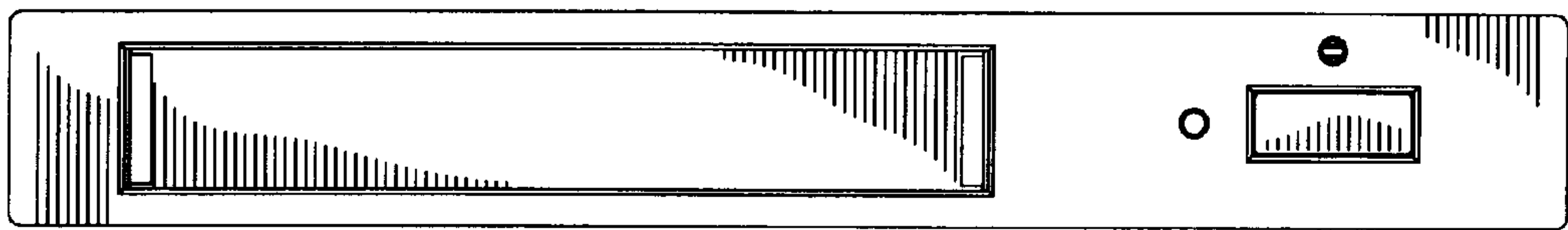


FIG. 4

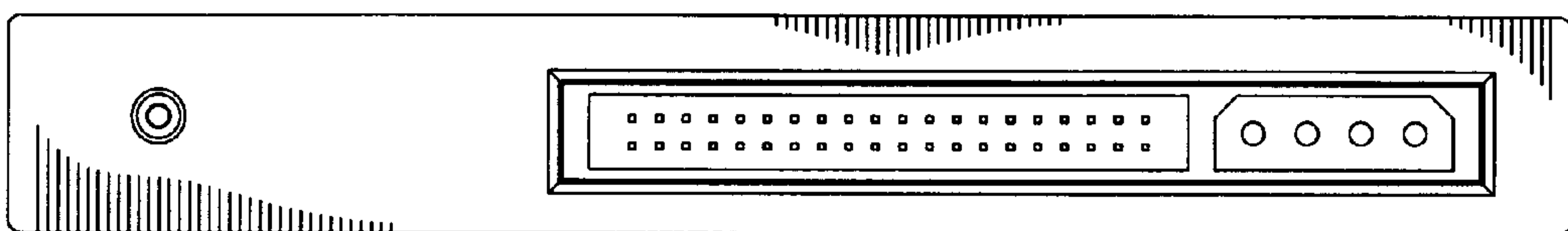


FIG. 5

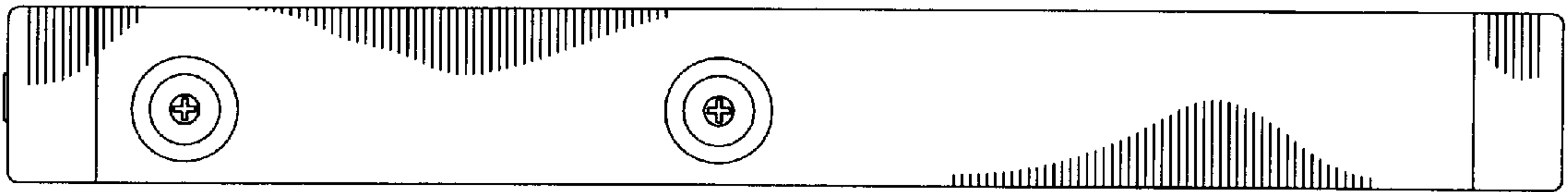


FIG. 6

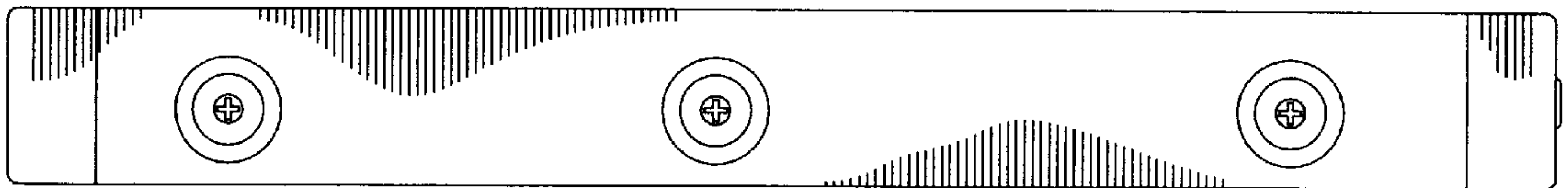


FIG. 7

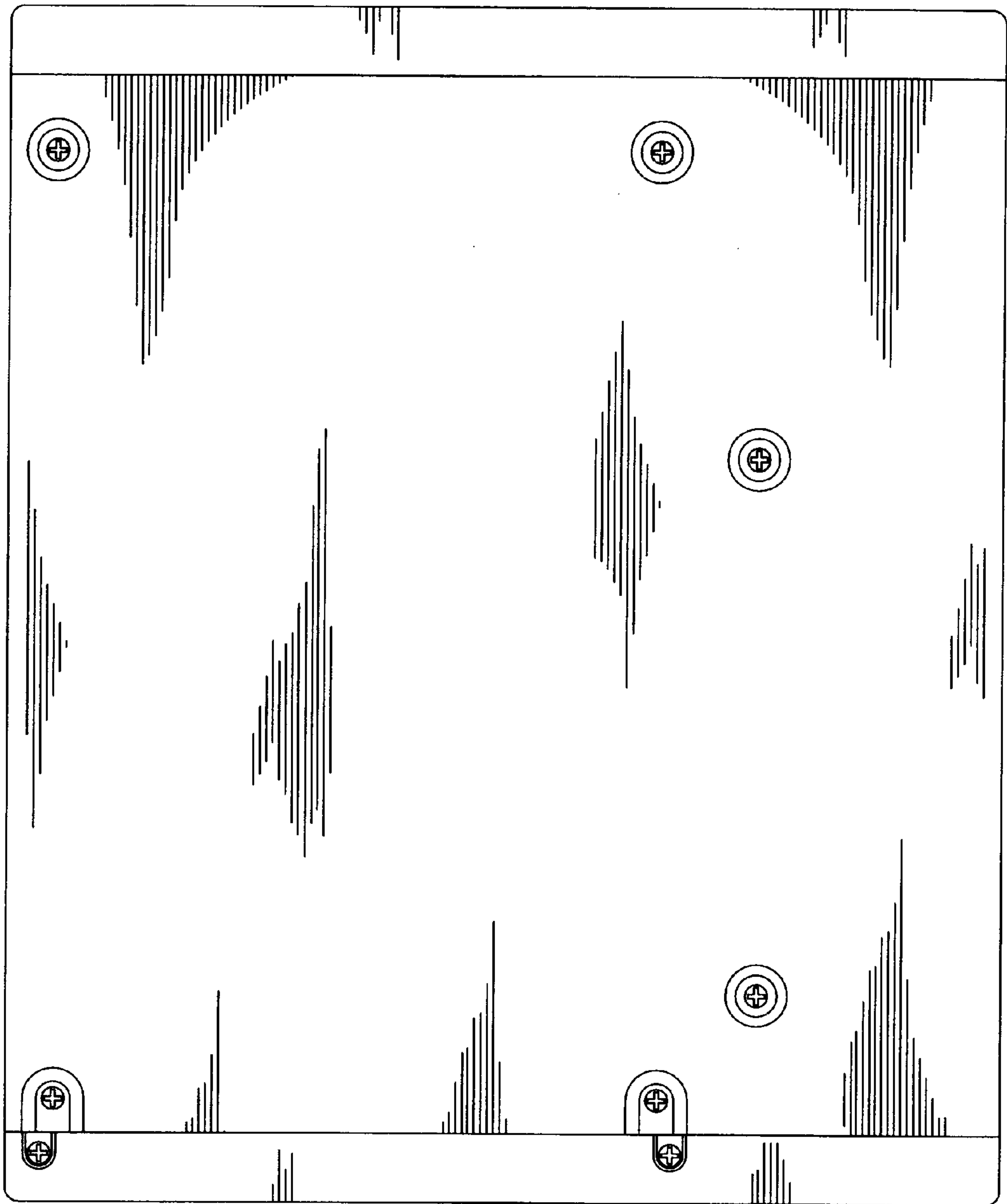


FIG. 8

