



US00D486152S

(12) **United States Design Patent**
Lasota

(10) **Patent No.:** **US D486,152 S**

(45) **Date of Patent:** **** Feb. 3, 2004**

(54) **MOUNT FOR A WORK STATION**

(75) **Inventor:** **Radoslaw Lasota**, 112 Lilyfield Road,
Lilyfield NSW 2040 (AU)

(73) **Assignee:** **Radoslaw Lasota**, Lilyfield (AU)

(**) **Term:** **14 Years**

(21) **Appl. No.:** **29/152,097**

(22) **Filed:** **Feb. 13, 2002**

(51) **LOC (7) Cl.** **14-02**

(52) **U.S. Cl.** **D14/452**

(58) **Field of Search** D14/452, 447,
D14/451, 342, 126; D8/380, 363, 349,
354; D19/91; 248/278.1, 280.11, 284.1,
285.1, 286.1

(56) **References Cited**

U.S. PATENT DOCUMENTS

D390,450 S	*	2/1998	Rosen	D8/380
D391,243 S	*	2/1998	Rosen	D14/452
D391,946 S	*	3/1998	Rosen	D14/452

D395,874 S	*	7/1998	Rosen	D14/452
D406,228 S	*	3/1999	Vogels	D8/363
D412,167 S	*	7/1999	Rosen	D14/126

* cited by examiner

Primary Examiner—Kay H. Chin

(74) *Attorney, Agent, or Firm*—Welsh & Katz, Ltd.

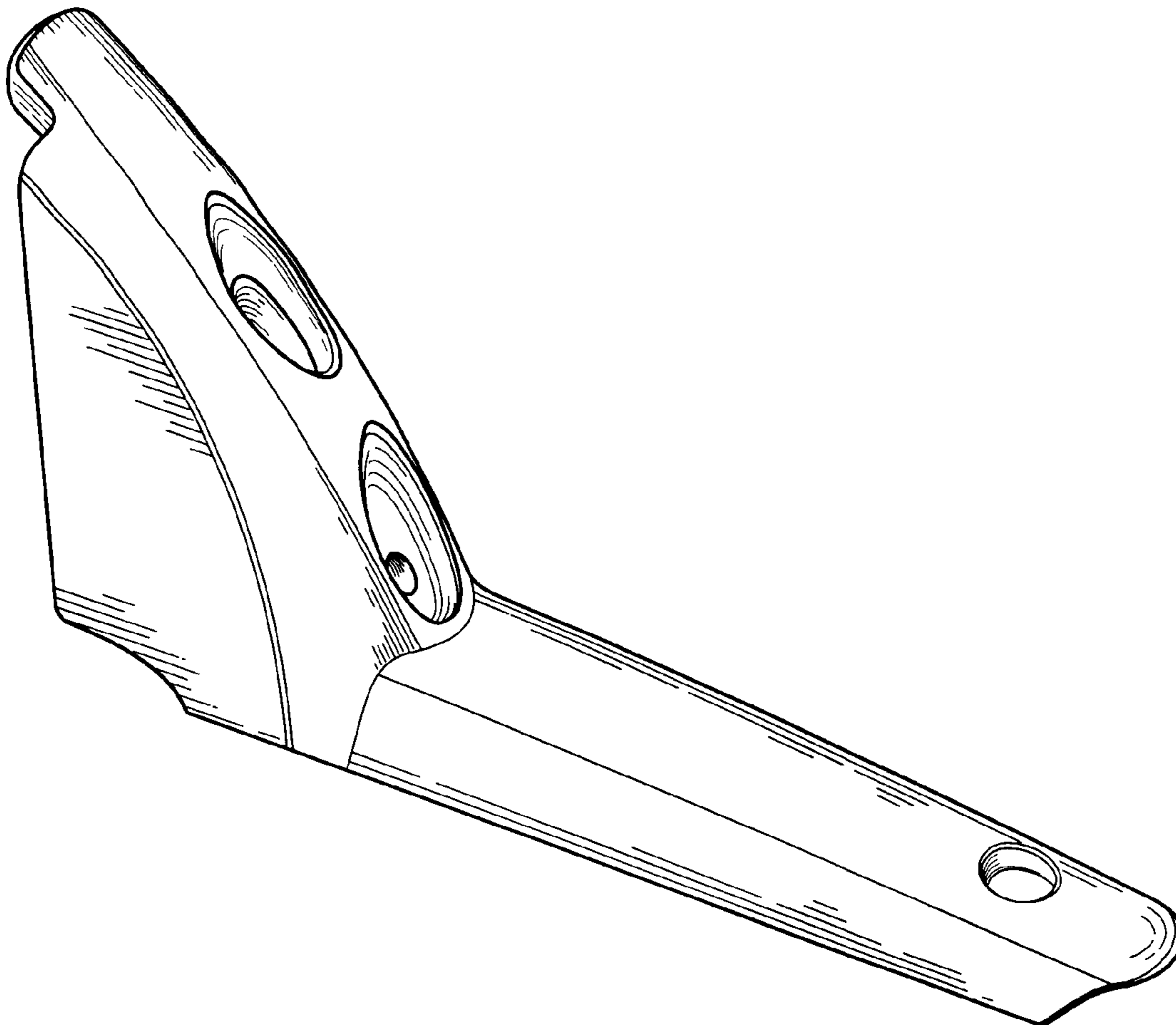
(57) **CLAIM**

The ornamental design for a mount for a work station, as shown and described.

DESCRIPTION

FIG. 1 is a top plan view of the mount of the subject invention, the opposite side being plain and unadorned; FIG. 2 is a side view of the mount of the subject invention, the opposite side being a mirror image thereof; FIG. 3 is a rear end view of the mount of the subject invention; FIG. 4 is a front-end view of the mount of the subject invention; and, FIG. 5 is a perspective view of the mount of the subject invention.

1 Claim, 2 Drawing Sheets



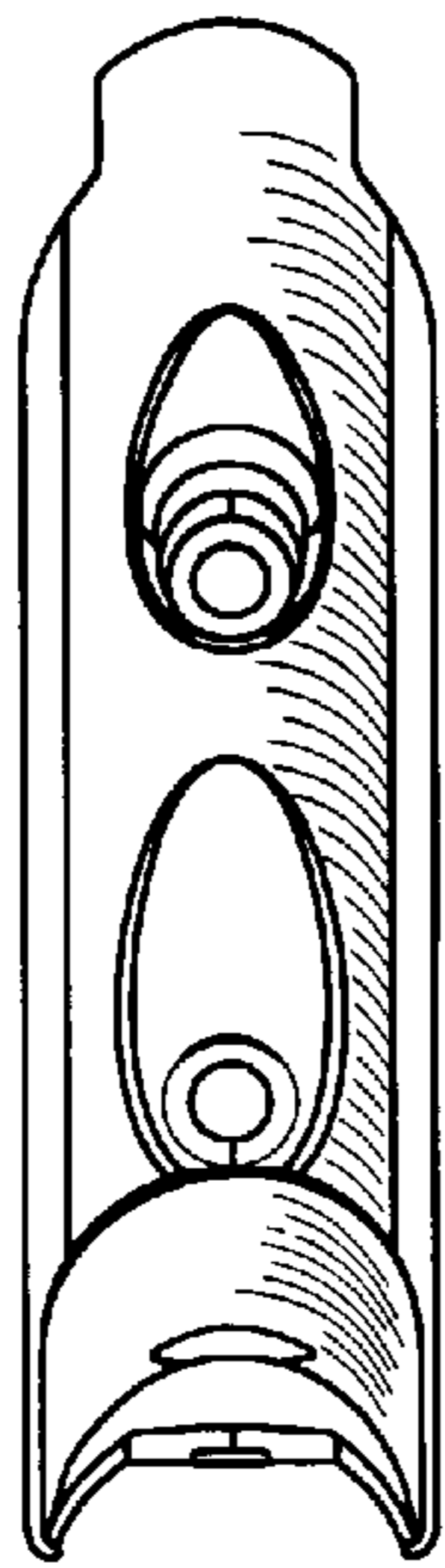


FIG. 3

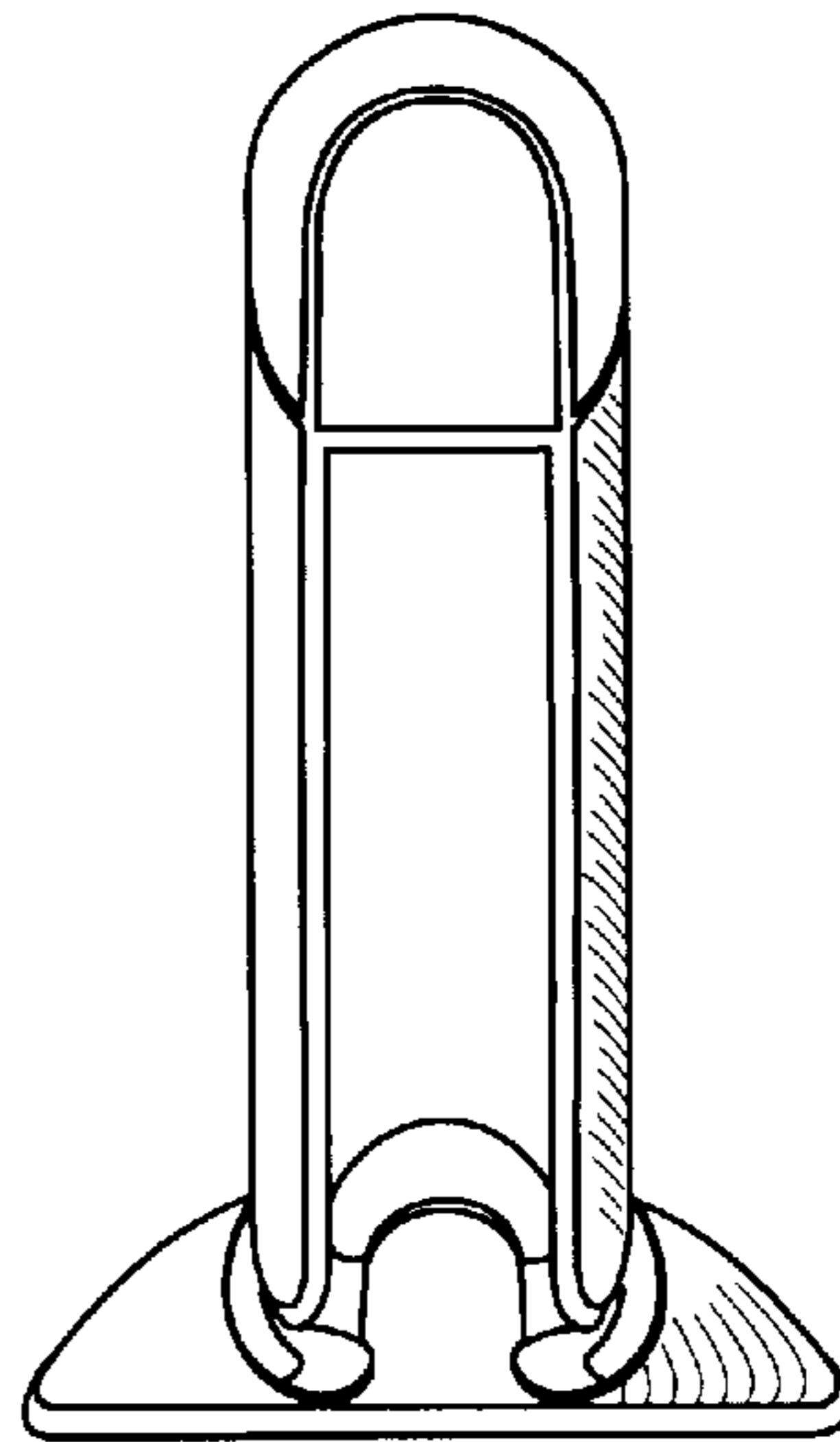


FIG. 4

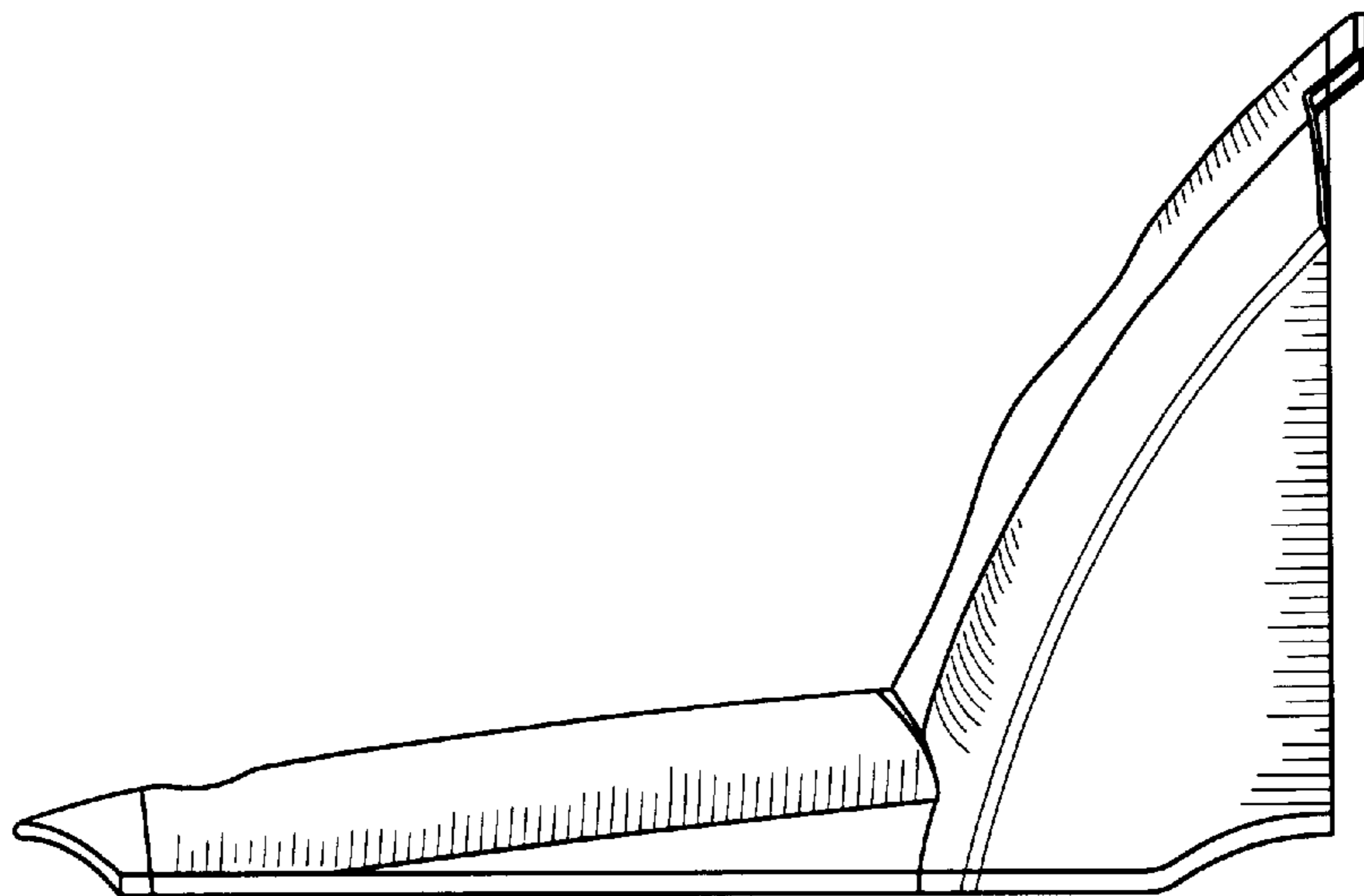


FIG. 2

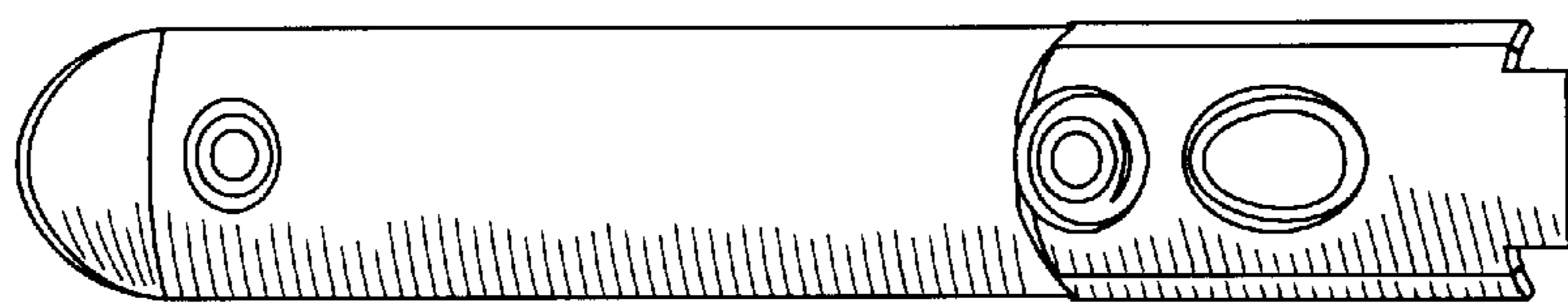


FIG. 1

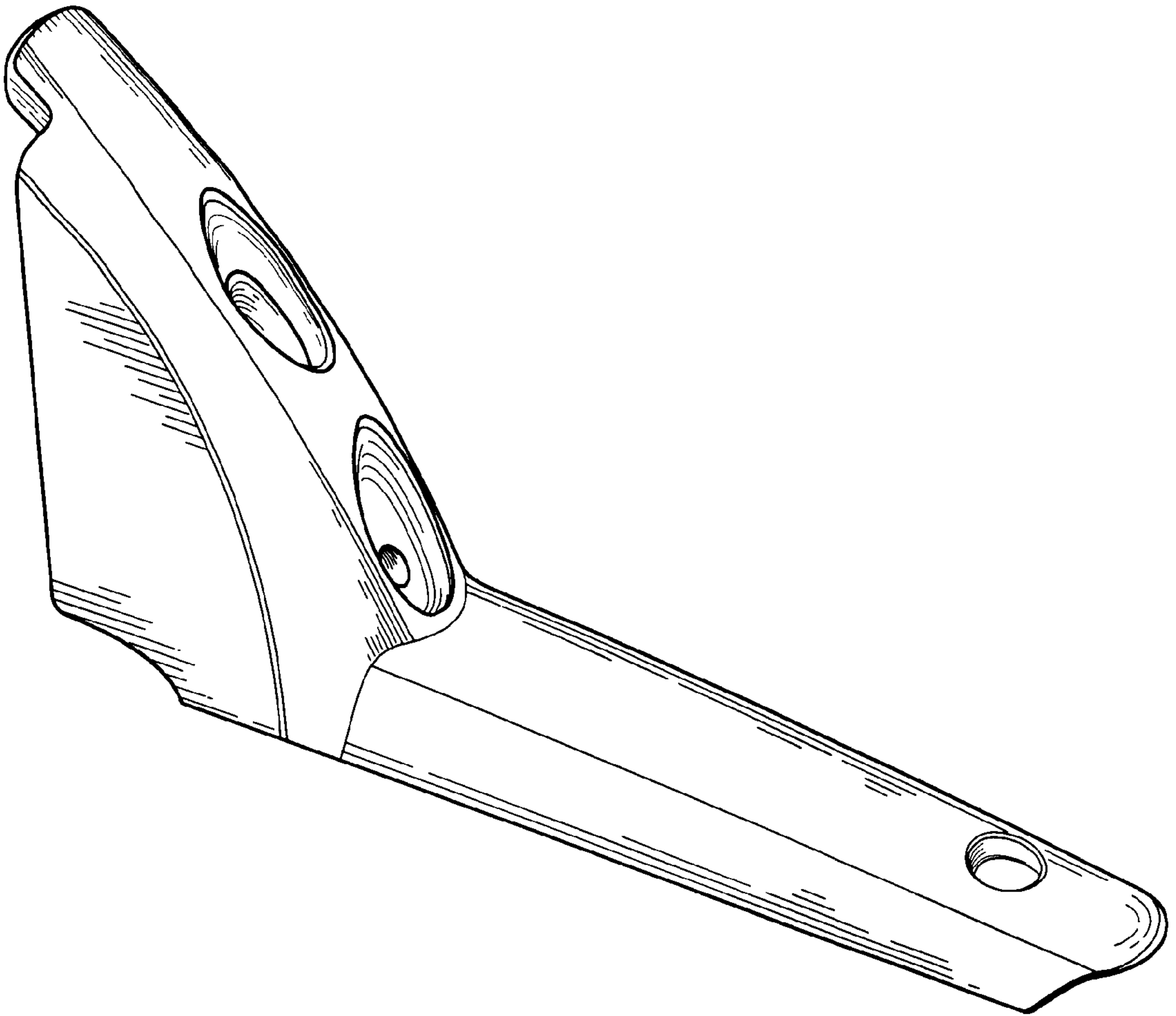


FIG. 5