



US00D486138S

(12) **United States Design Patent**  
**Chen**

(10) **Patent No.:** **US D486,138 S**

(45) **Date of Patent:** **\*\* Feb. 3, 2004**

(54) **DIGITAL FM AUTO SCAN RADIO WITH ALARM CLOCK**

D422,590 S \* 4/2000 Kloss ..... D14/194  
D425,508 S \* 5/2000 Fiebel et al. .... D14/194  
D431,548 S \* 10/2000 Rashid et al. .... D14/168

(75) Inventor: **Johnson Chen**, Walnut, CA (US)

\* cited by examiner

(73) Assignee: **Unitime International Co., Ltd.**, Walnut, CA (US)

*Primary Examiner*—Nanda Bondade

(\*\*) Term: **14 Years**

(74) *Attorney, Agent, or Firm*—Pro-Techtor International Services

(21) Appl. No.: **29/172,344**

(22) Filed: **Dec. 9, 2002**

(57) **CLAIM**

The ornamental design for a digital FM auto scan radio with alarm clock, as shown and described.

(51) **LOC (7) Cl.** ..... **14-01**

**DESCRIPTION**

(52) **U.S. Cl.** ..... **D14/171**

(58) **Field of Search** ..... D10/1-2, 15; D14/168, D14/170-171, 188, 193-198; 312/7.1; 455/90, 100, 128, 344, 347, 350-351

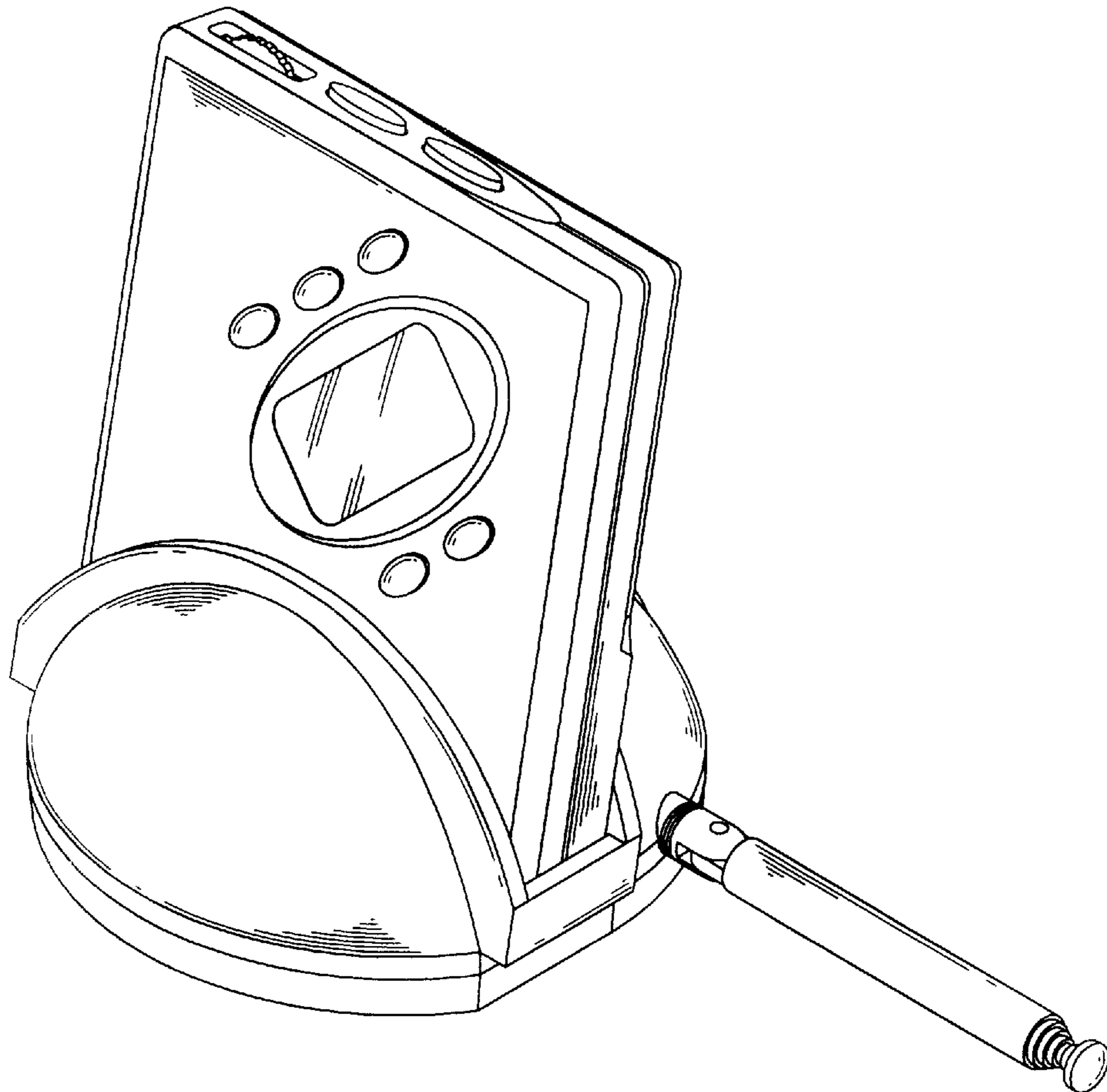
FIG. 1 is a perspective view of a digital FM auto scan radio with alarm clock showing my new design; FIG. 2 is a front view of the design; FIG. 3 is a rear view of the design; FIG. 4 is a left side view of the design; FIG. 5 is a right side view of the design; FIG. 6 is a top view of the design; FIG. 7 is a bottom view of the design; and, FIG. 8 is an exploded view of the design.

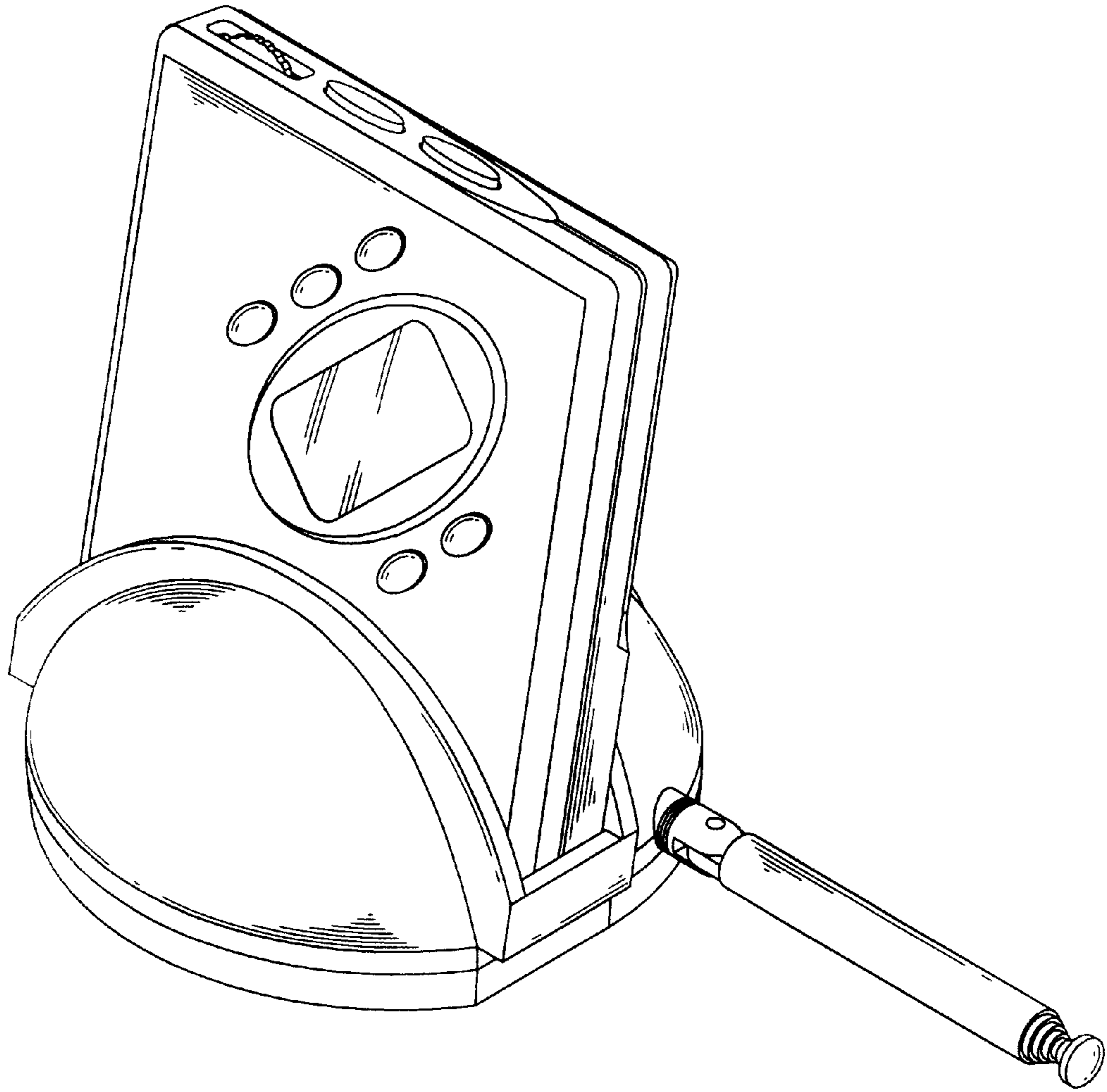
(56) **References Cited**

**U.S. PATENT DOCUMENTS**

D278,906 S \* 5/1985 Nakamura ..... D14/194  
D281,494 S \* 11/1985 Sujanani ..... D14/194  
5,146,618 A \* 9/1992 Wenner ..... 455/345

**1 Claim, 5 Drawing Sheets**





*FIG. 1*

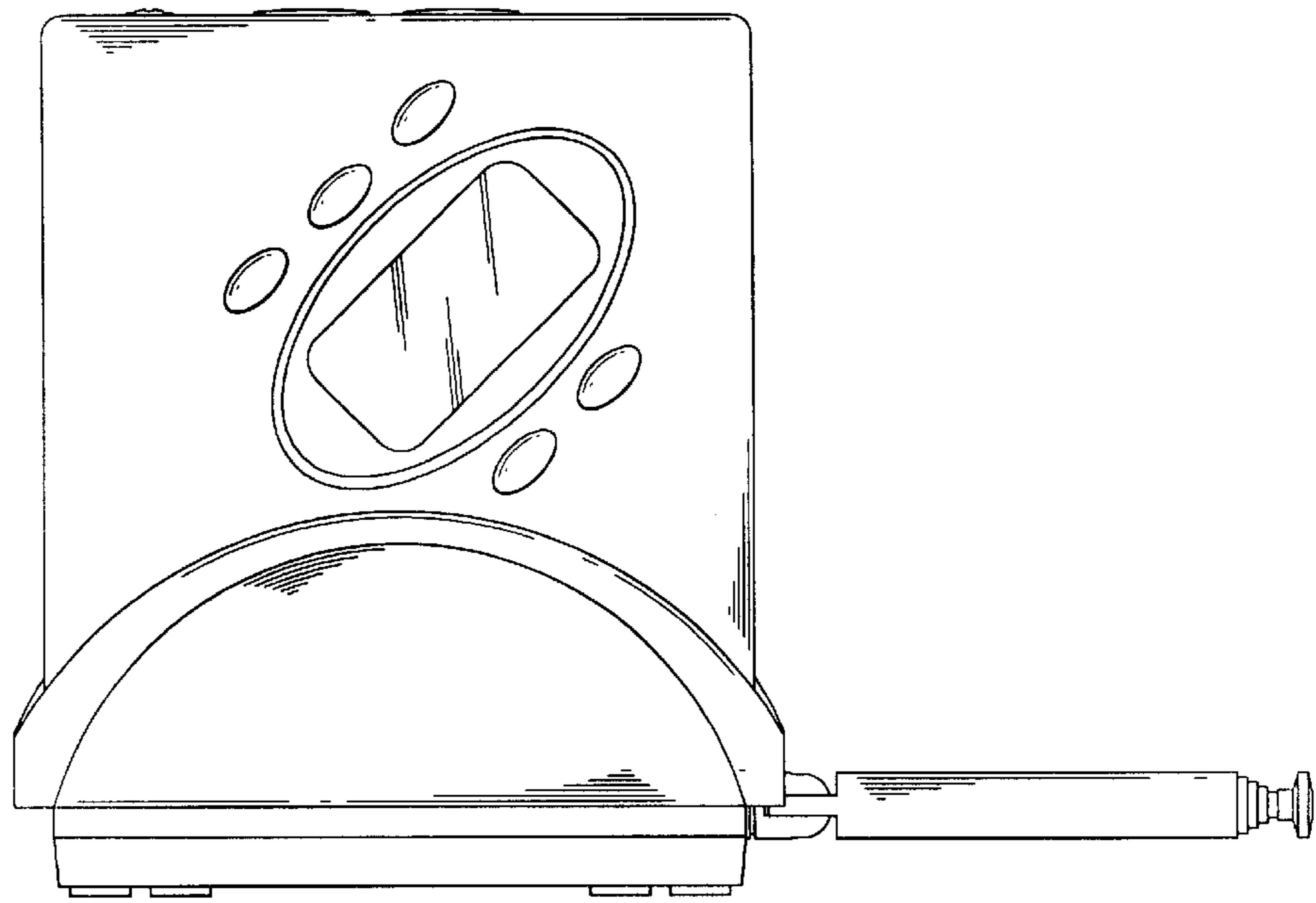


FIG. 2

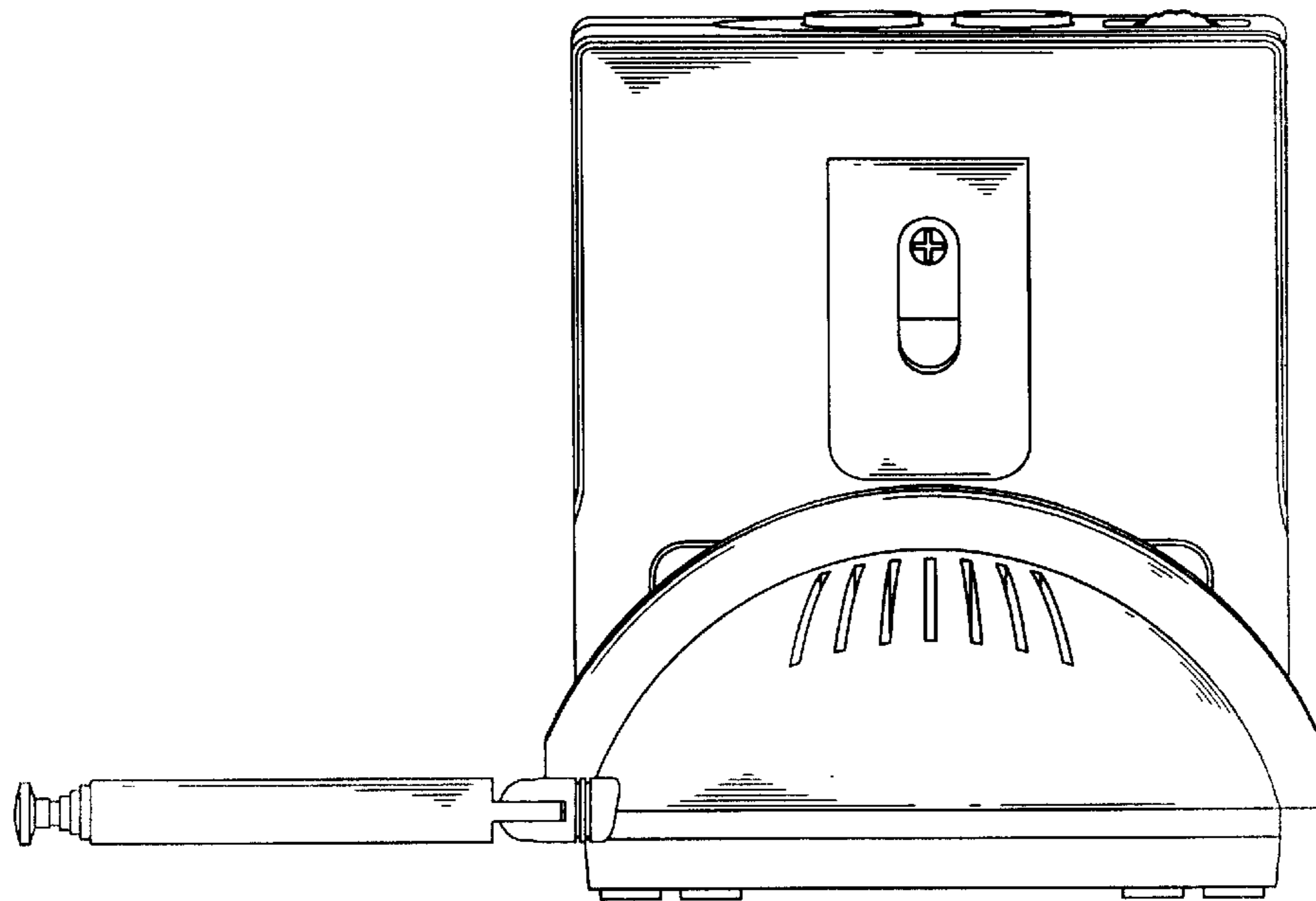
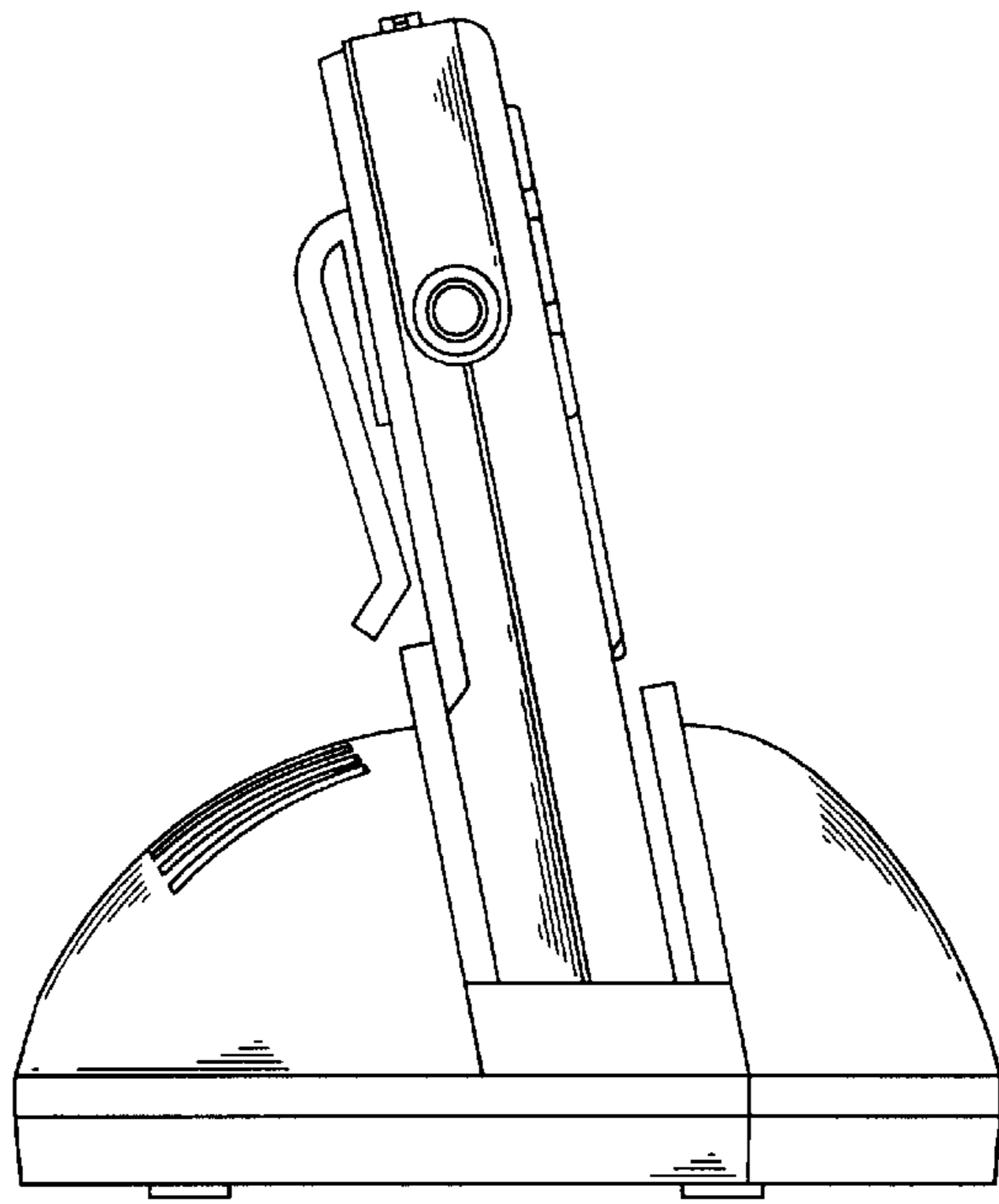
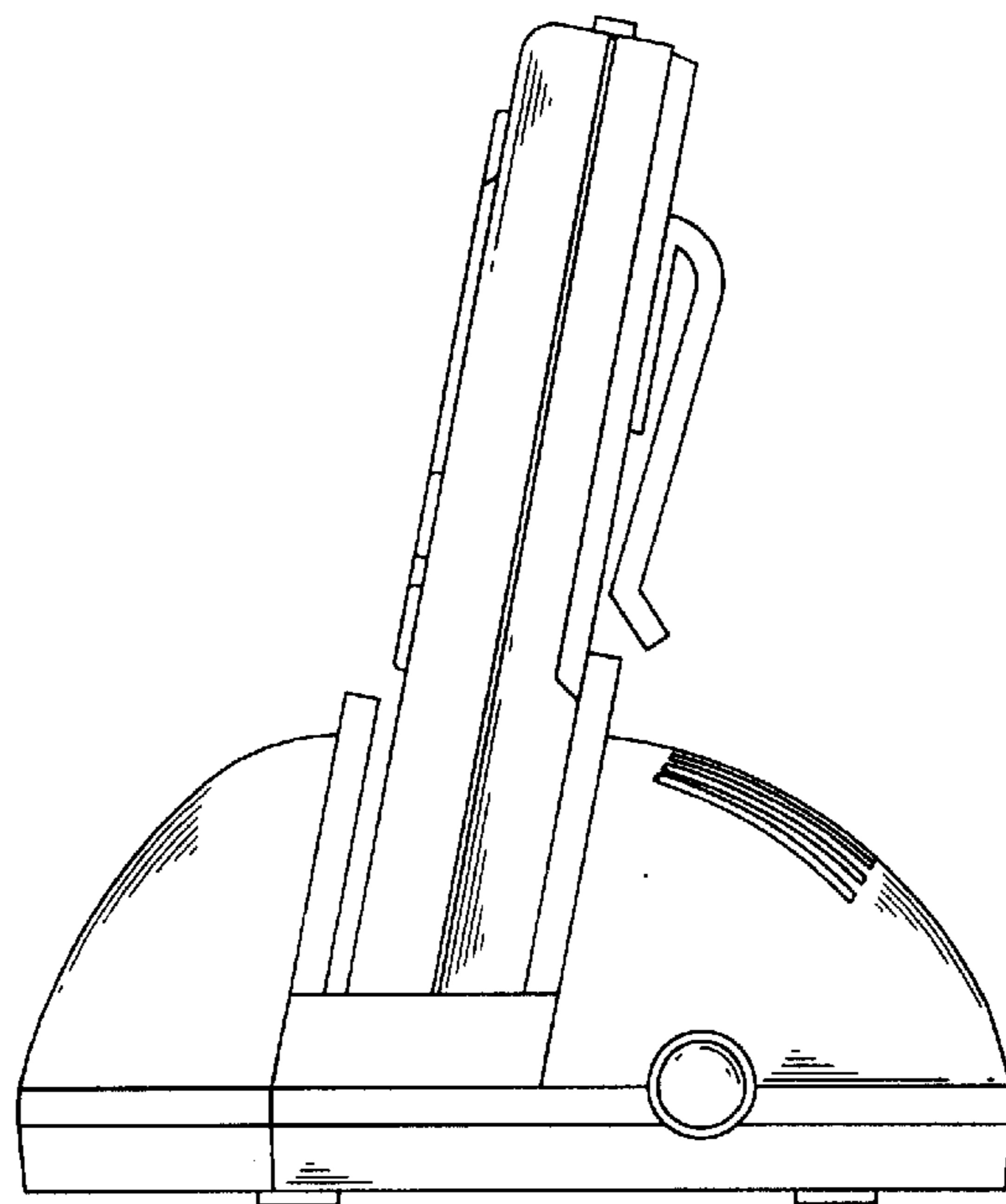


FIG. 3



*FIG. 4*



*FIG. 5*

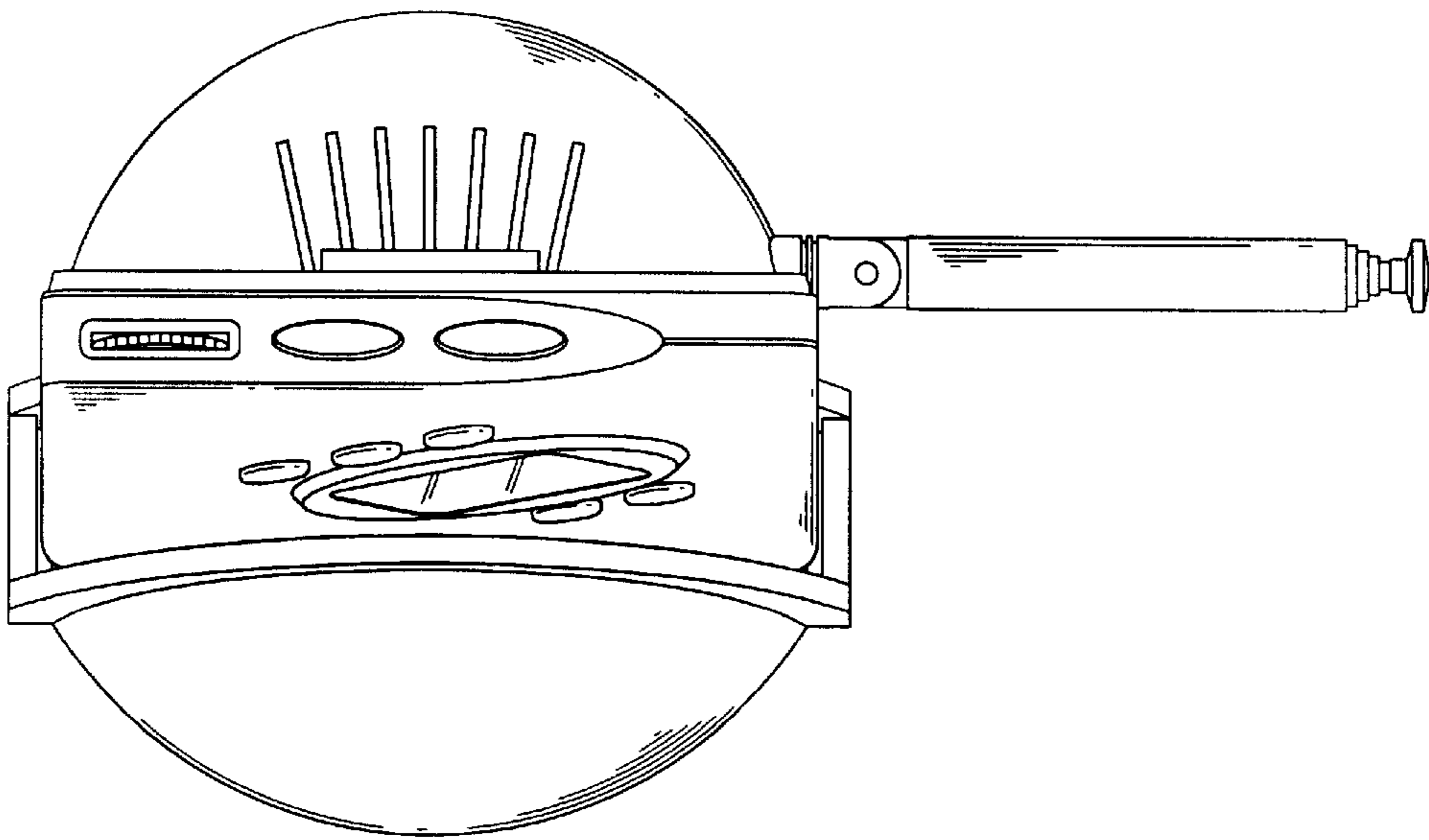


FIG. 6

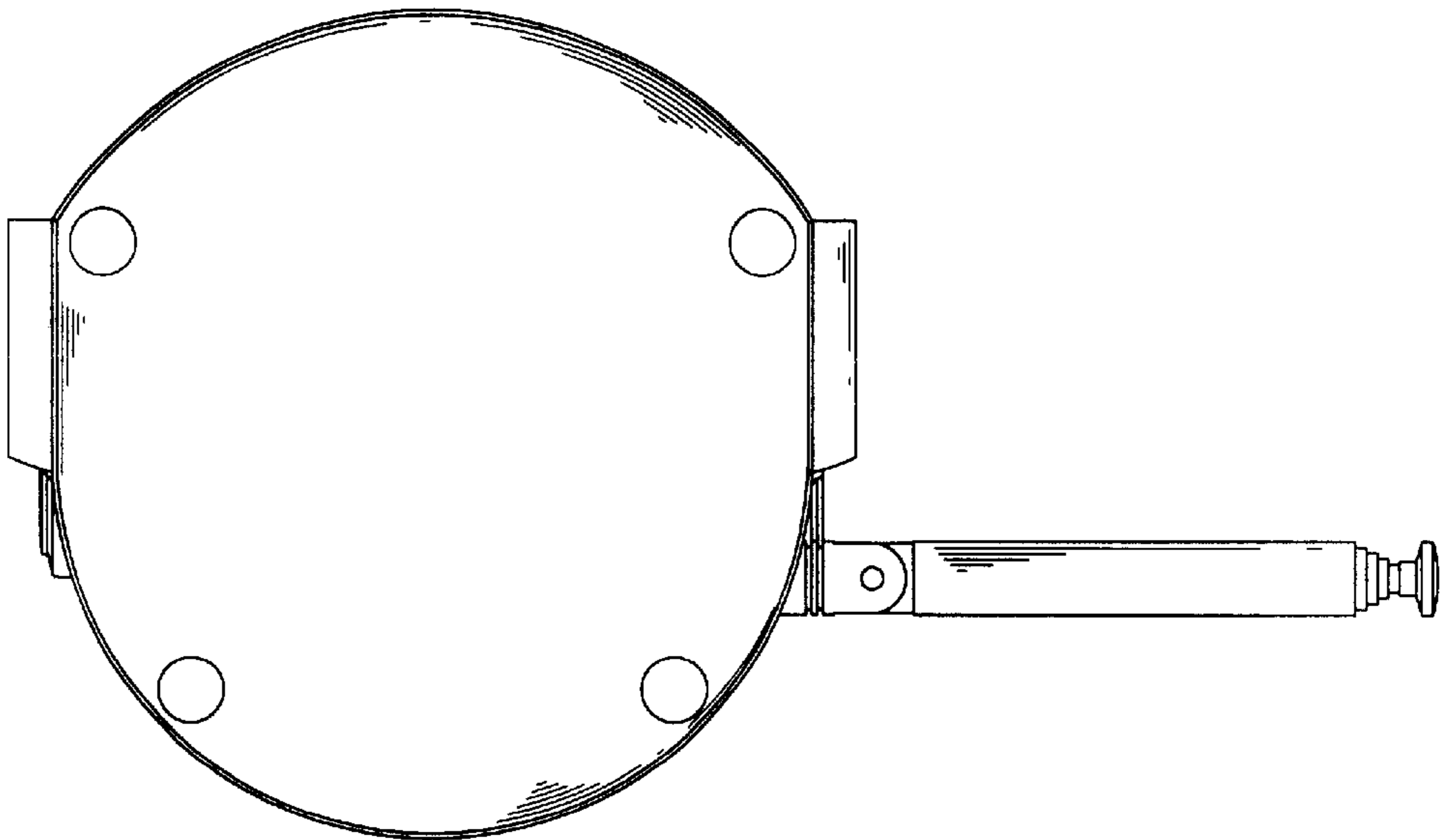


FIG. 7

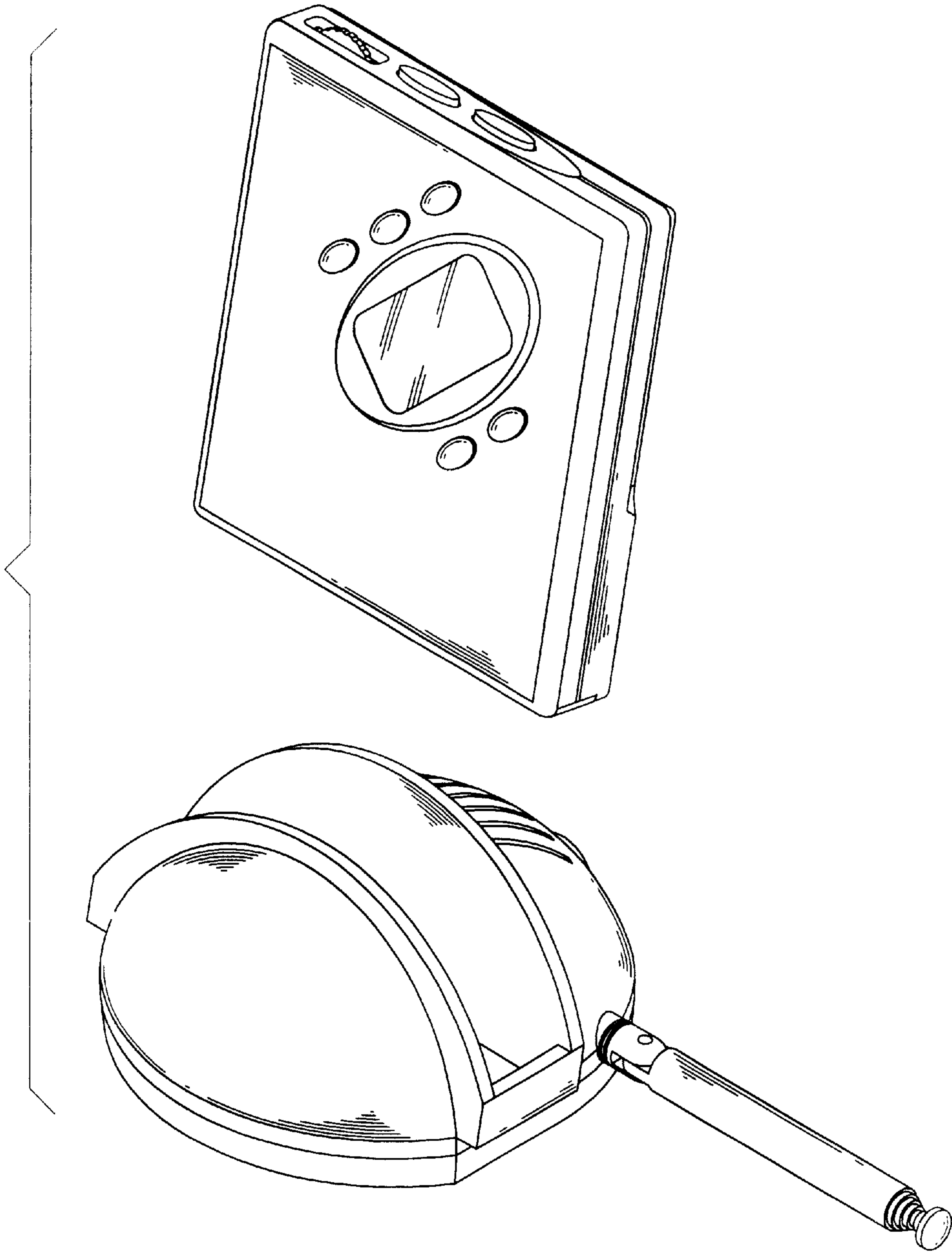


FIG. 8