



US00D486136S

(12) **United States Design Patent**  
**Hibi**

(10) **Patent No.:** **US D486,136 S**

(45) **Date of Patent:** **\*\* Feb. 3, 2004**

(54) **DISC RECORDER**

D445,774 S \* 7/2001 Matsuoka ..... D14/156  
D455,141 S 4/2002 Kobayashi

(75) Inventor: **Keita Hibi**, Tokyo (JP)

**OTHER PUBLICATIONS**

(73) Assignee: **Sony Corporation**, Tokyo (JP)

Catalot, "Sony New Products Summer 2002," p. 5, Sony (Summer 2002).

(\*\*) Term: **14 Years**

\* cited by examiner

(21) Appl. No.: **29/166,522**

*Primary Examiner*—Nanda Bondade

(22) Filed: **Aug. 30, 2002**

(74) *Attorney, Agent, or Firm*—Rader, Fishman & Grauer PLLC

(51) **LOC (7) Cl.** ..... **14-01**

(52) **U.S. Cl.** ..... **D14/167**

(58) **Field of Search** ..... D14/135-136,  
D14/156-157, 167-168, 188, 193-198,  
257-258; 369/75.1, 75.2, 77.1, 77.2; 455/344,  
347, 350-351

(57) **CLAIM**

The ornamental design for a disc recorder, as shown and described.

(56) **References Cited**

**DESCRIPTION**

**U.S. PATENT DOCUMENTS**

D294,691 S \* 3/1988 Yoshida et al. .... D14/156  
D298,237 S \* 10/1988 Sumita ..... D14/165  
D412,907 S \* 8/1999 Ishii ..... D14/163  
D425,890 S \* 5/2000 Kataoka ..... D14/163  
D436,103 S \* 1/2001 Yamada et al. .... D14/165

FIG. 1 is a perspective view of a disc recorder showing my new design; and,

FIG. 2 is a front elevational view thereof.

Portions in broken lines are illustrative purpose only and form no part of the claimed design.

**1 Claim, 2 Drawing Sheets**

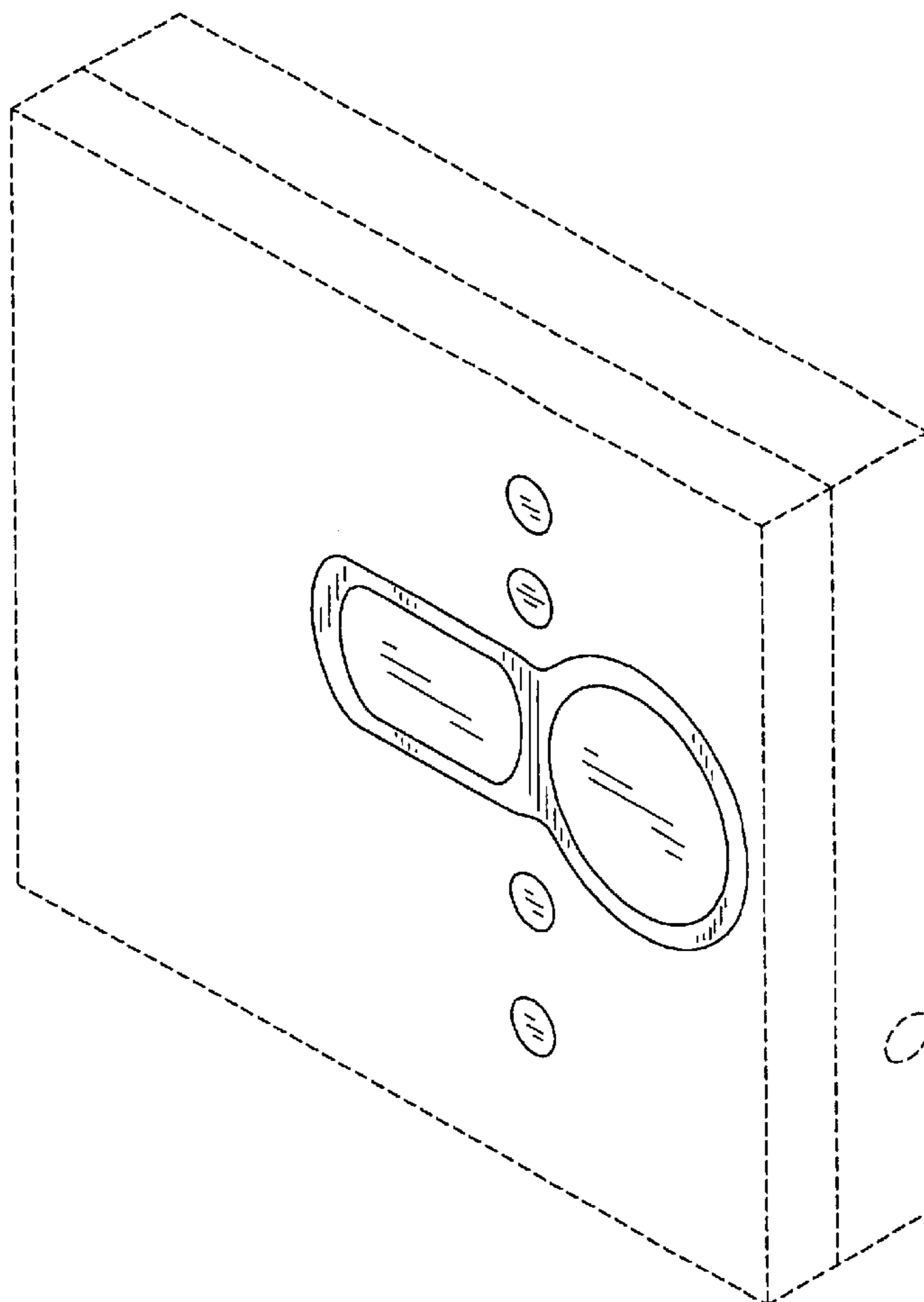


FIG. 1

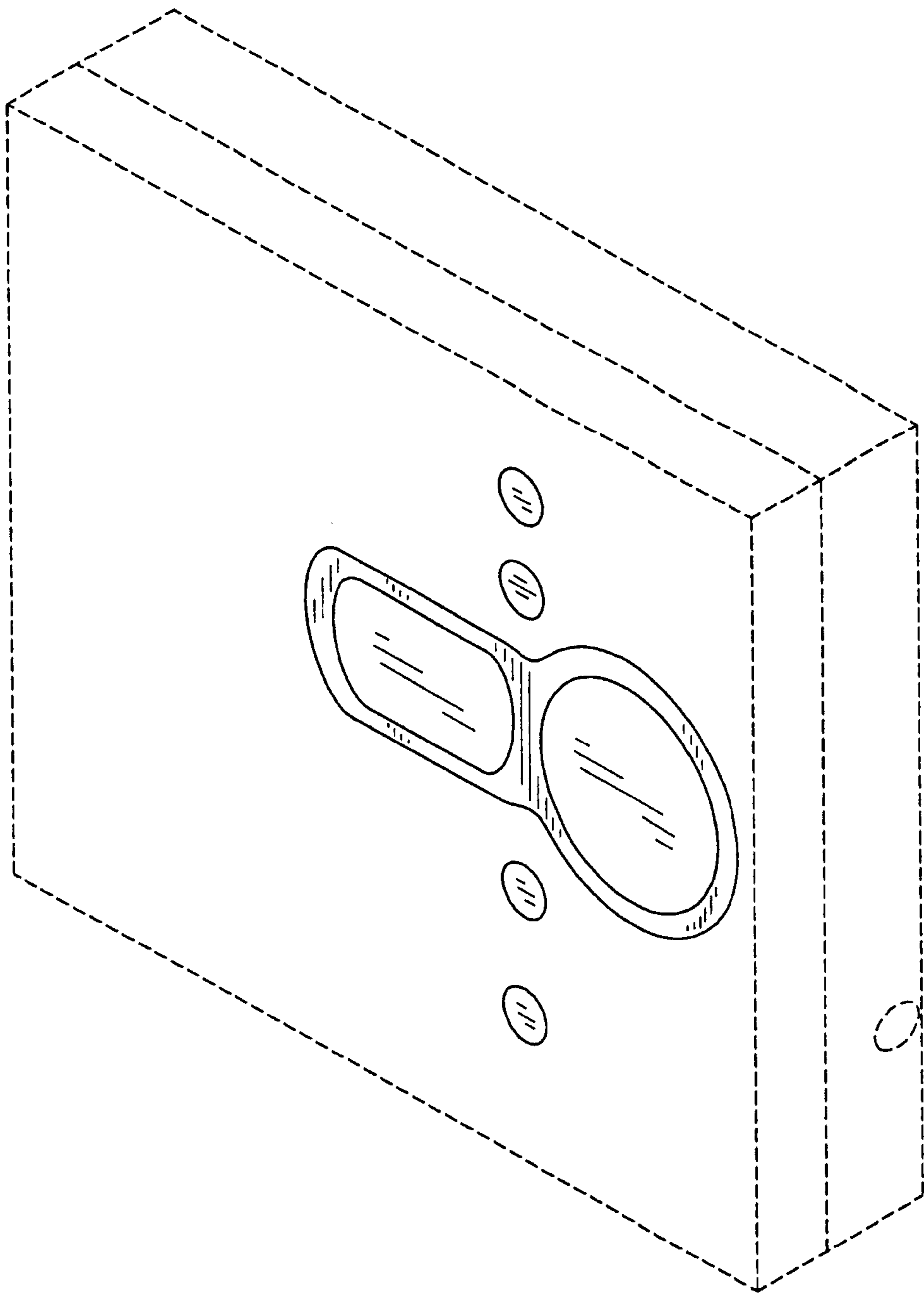


FIG. 2

