



US00D486134S

(12) **United States Design Patent**  
**Hori et al.**

(10) **Patent No.:** **US D486,134 S**

(45) **Date of Patent:** **\*\* Feb. 3, 2004**

(54) **COMBINED DIGITAL AUDIO DISC PLAYER  
AND RADIO TUNER FOR A VEHICLE**

5,862,468 A \* 1/1999 Kim ..... 455/348  
D448,014 S \* 9/2001 Hori et al. .... D14/157

(75) Inventors: **Tomoo Hori**, Kanagawa (JP); **Hiroyuki  
Mizokawa**, Kanagawa (JP)

**FOREIGN PATENT DOCUMENTS**

JP D1151953 9/2002

(73) Assignee: **Matsushita Electric Industrial Co.,  
Ltd.**, Osaka (JP)

\* cited by examiner

(\*\*) Term: **14 Years**

*Primary Examiner*—Nanda Bondade  
(74) *Attorney, Agent, or Firm*—Brinks Hofer Gilson &  
Lione

(21) Appl. No.: **29/174,781**

(57) **CLAIM**

(22) Filed: **Jan. 24, 2003**

The ornamental design for a combined digital audio disc  
player and radio tuner for a vehicle, as shown and described.

(30) **Foreign Application Priority Data**

**DESCRIPTION**

Oct. 31, 2002 (JP) ..... 2002-029830

(51) **LOC (7) Cl.** ..... **14-01**

(52) **U.S. Cl.** ..... **D14/157**

(58) **Field of Search** ..... D14/135-136,  
D14/156-157, 160-164, 167-168, 188,  
193-198, 257-258, 265; 362/26-27, 86,  
253; 369/6-7, 75.1, 75.2, 77.1, 77.2; 455/344,  
347, 350-351

FIG. 1 is a top perspective view of a combined digital audio  
disc player and radio tuner for a vehicle of the present  
invention;

FIG. 2 is a front view thereof;

FIG. 3 is a first side view thereof;

FIG. 4 is a second side view thereof;

FIG. 5 is a top view thereof;

FIG. 6 is a bottom view thereof;

FIG. 7 is a rear view thereof; and,

FIG. 8 is a front perspective view thereof in which the front  
faceplate is in an open position.

(56) **References Cited**

**U.S. PATENT DOCUMENTS**

D365,568 S \* 12/1995 Tokiyama ..... D14/258

D400,529 S \* 11/1998 Kakizaki ..... D14/157

**1 Claim, 4 Drawing Sheets**

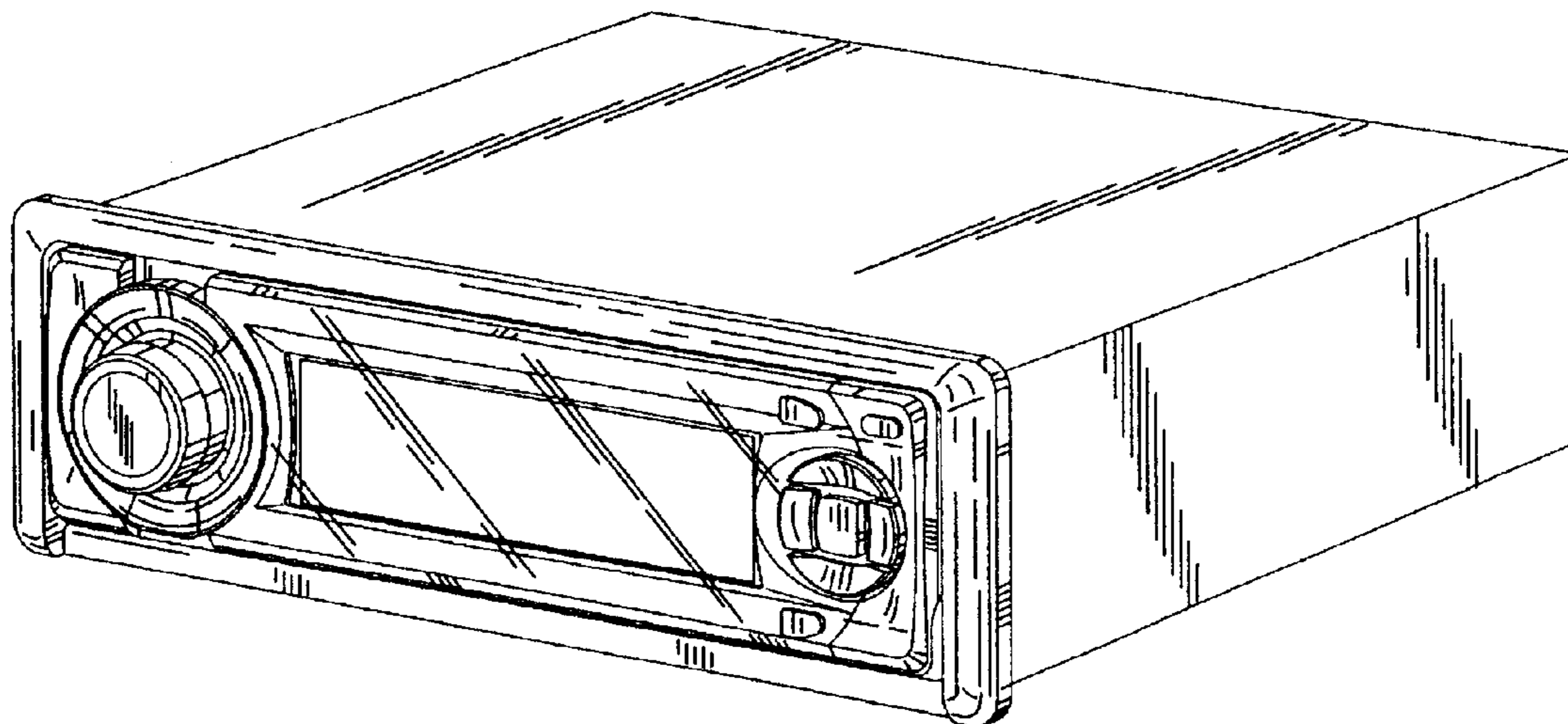


FIG.1

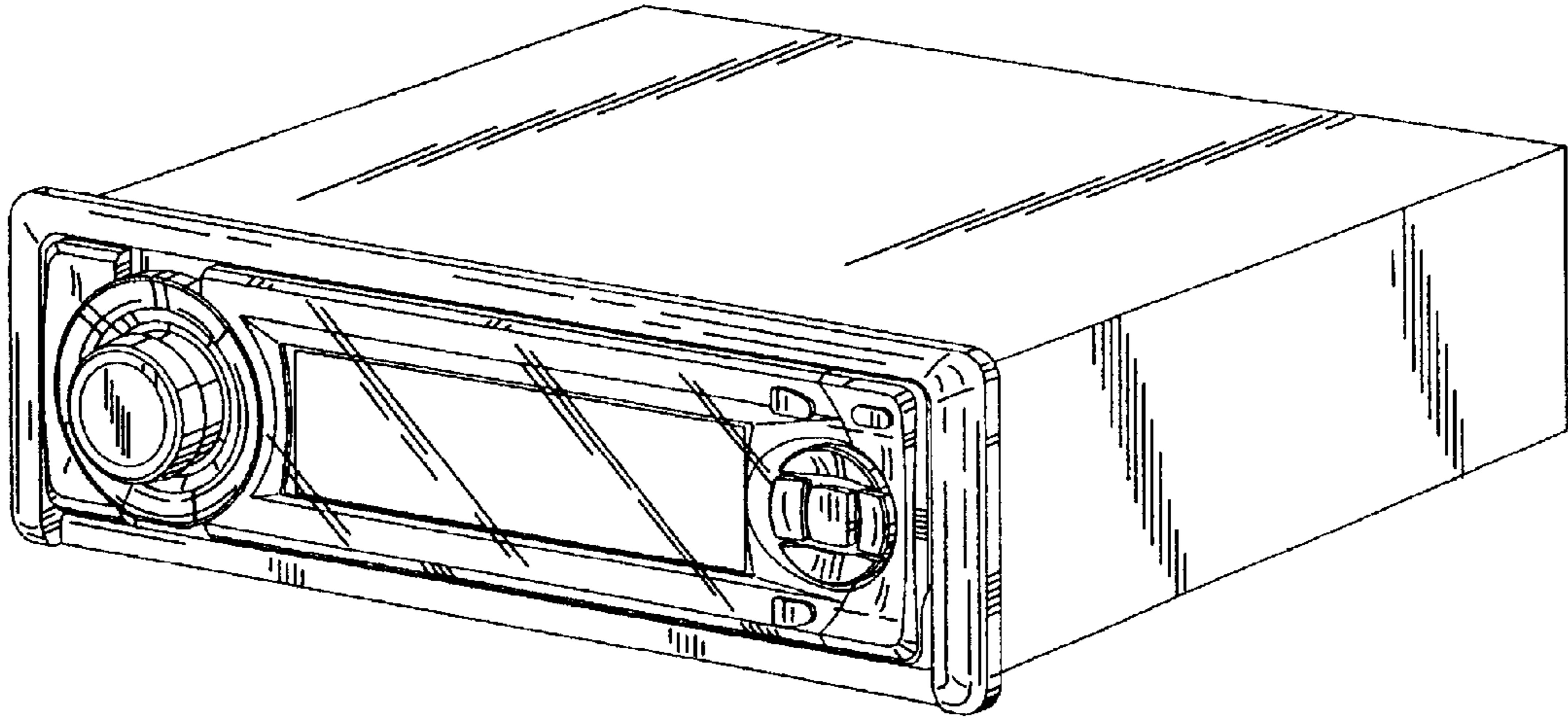


FIG.2

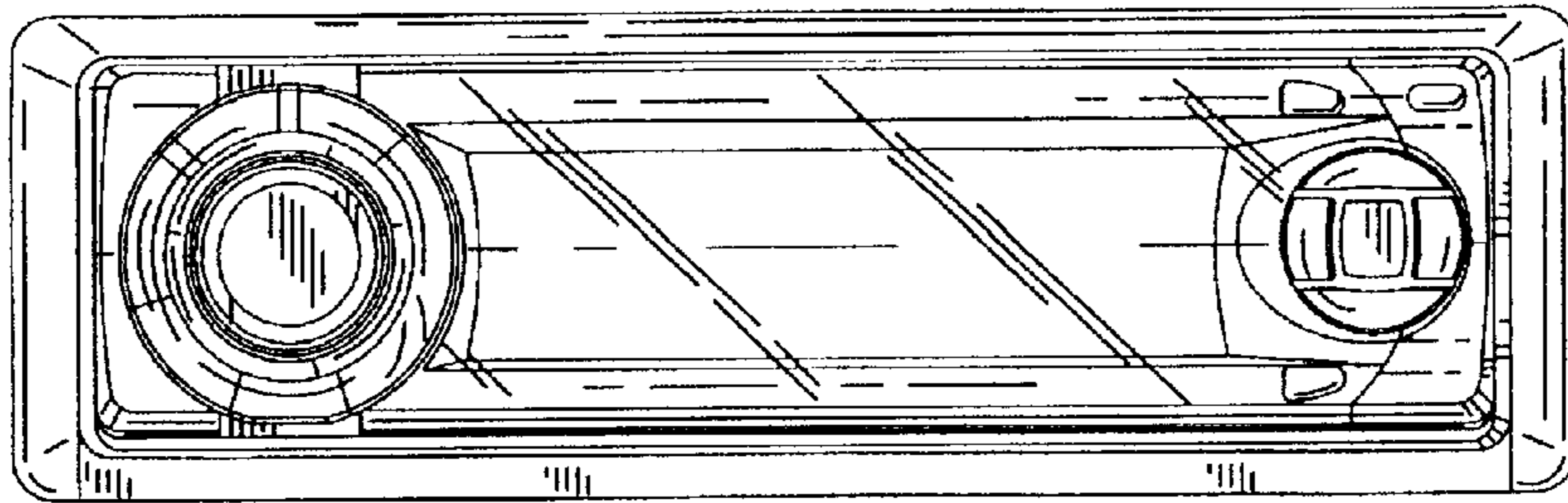


FIG.3

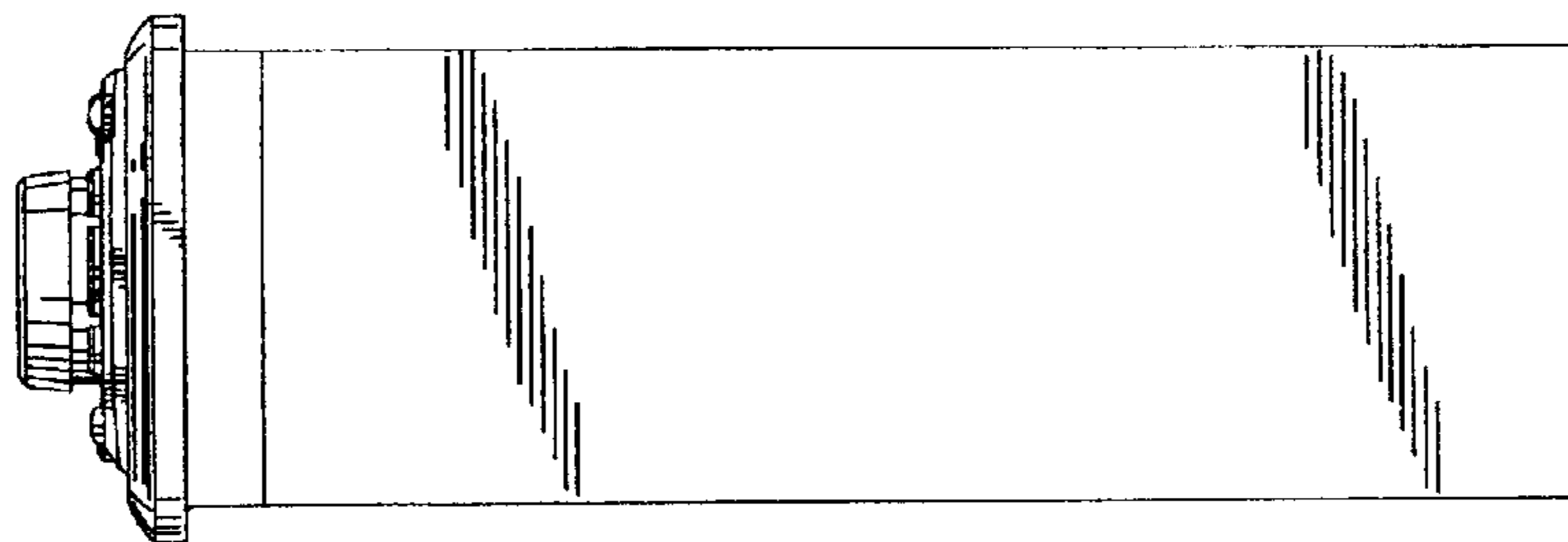


FIG.4

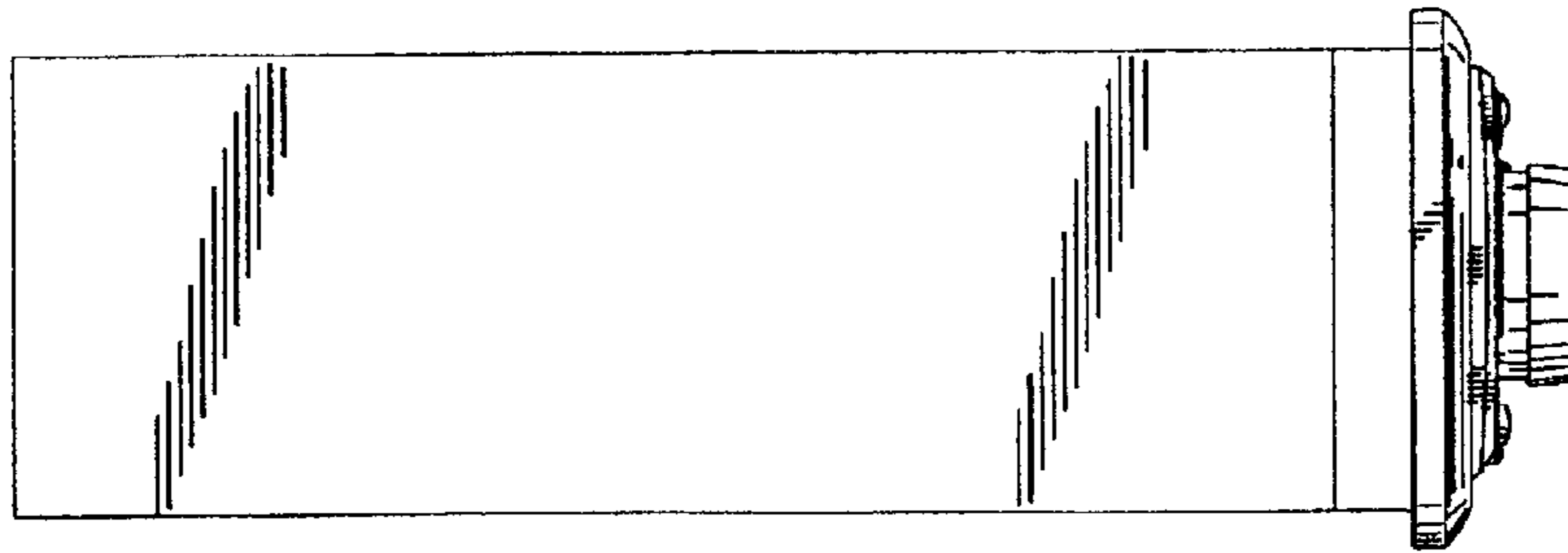


FIG.5

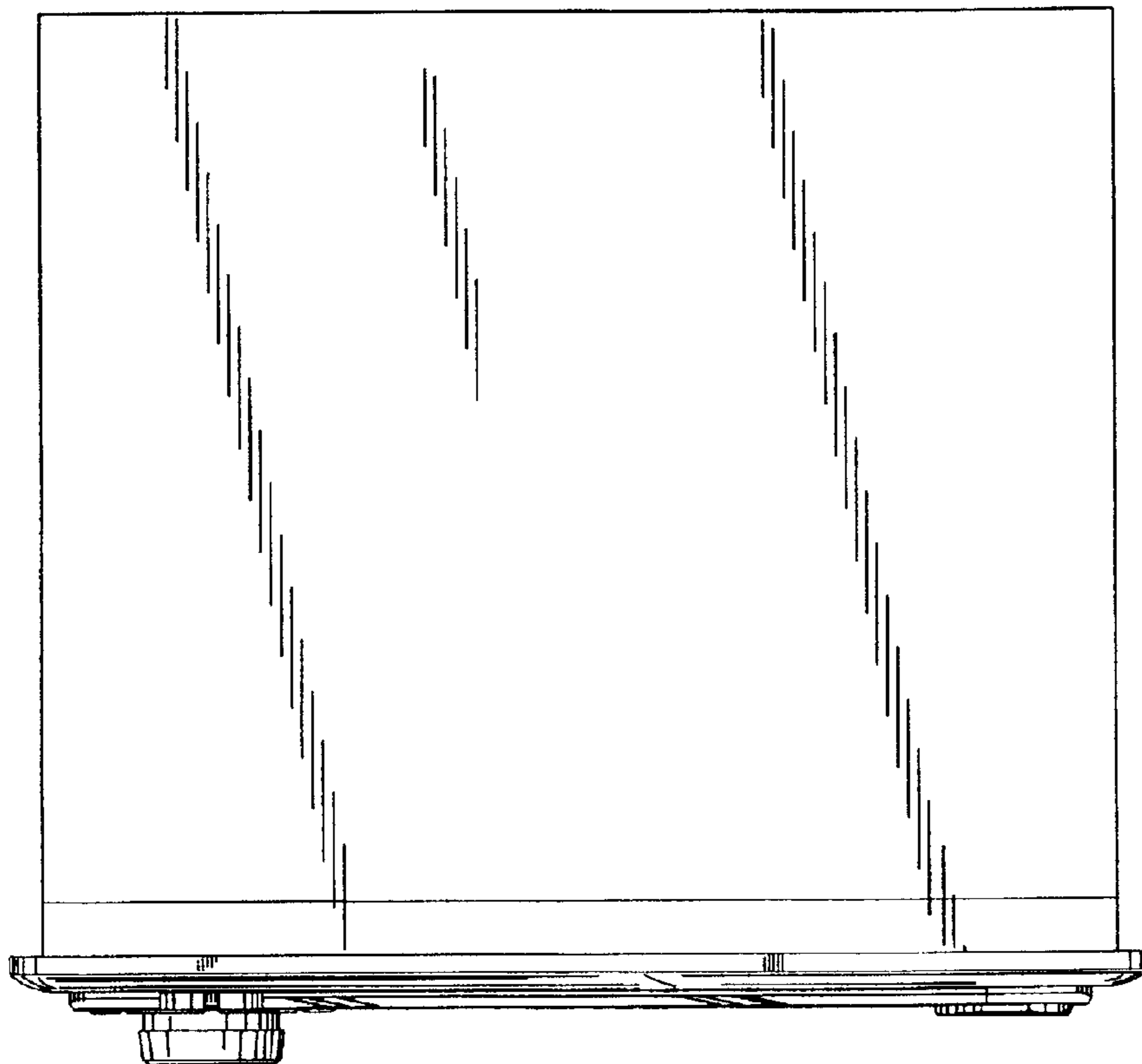


FIG.6

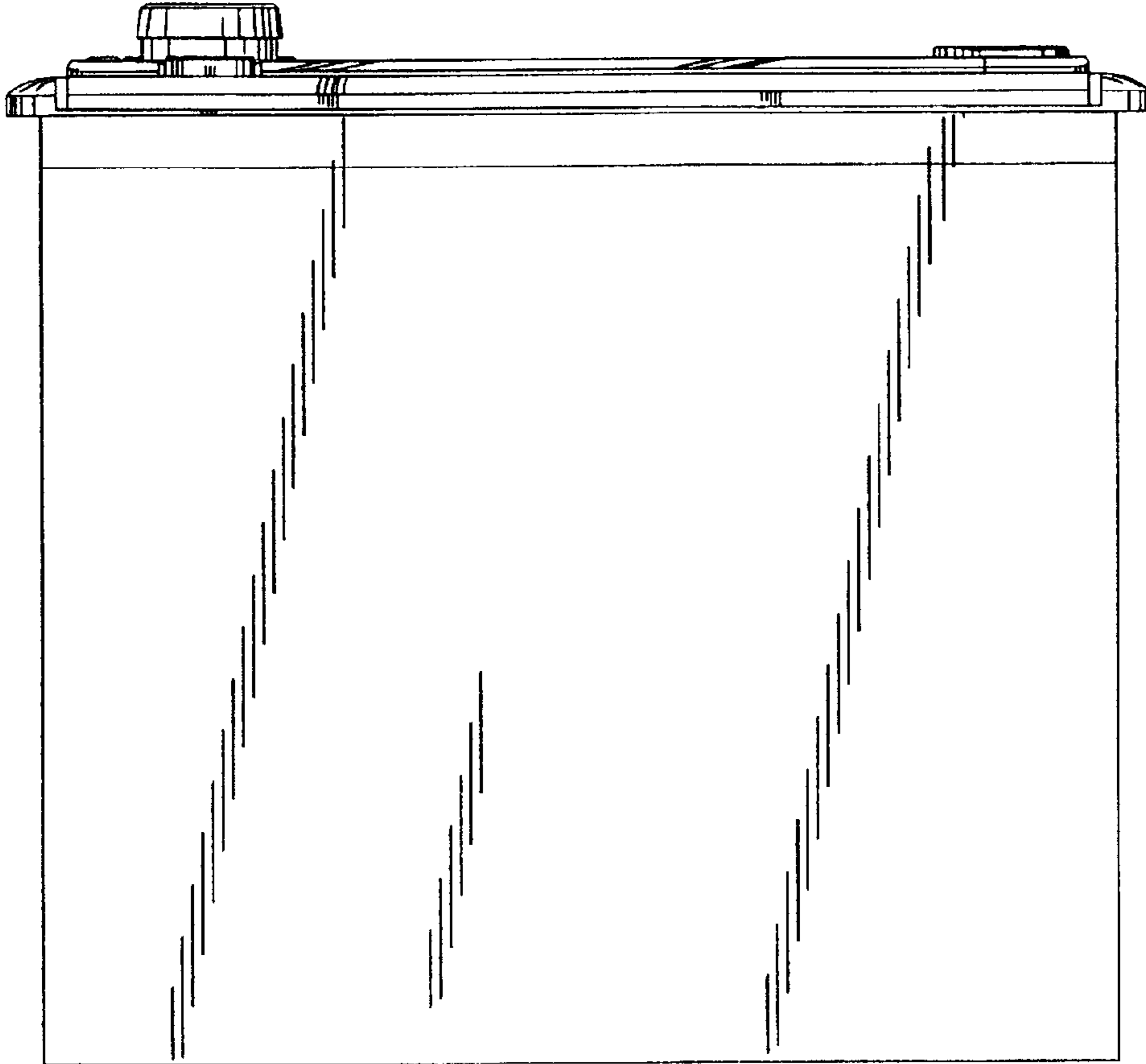


FIG.7

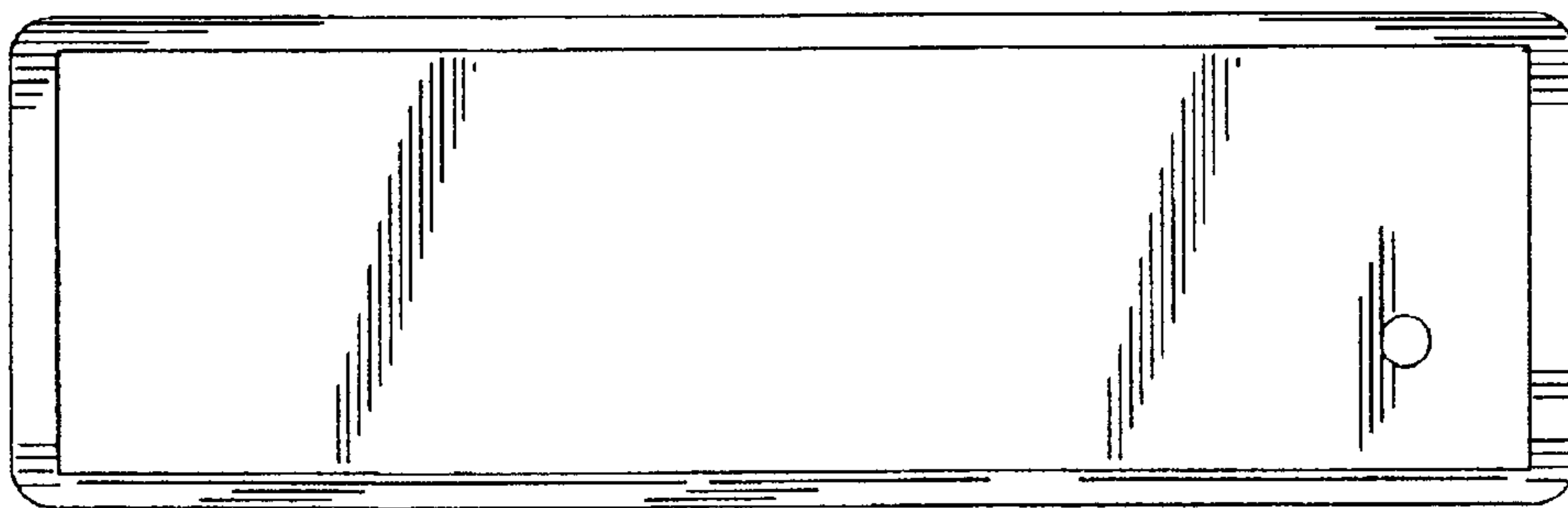


FIG.8

