



US00D486130S

(12) **United States Design Patent**
Thibault

(10) **Patent No.:** **US D486,130 S**

(45) **Date of Patent:** **** Feb. 3, 2004**

(54) **SURFACE MOUNTED ELECTRICAL CABLE WAY**

6,323,421 B1 * 11/2001 Pawson et al. 174/48
6,348,658 B1 * 2/2002 Gutsell et al. 174/66

(75) **Inventor:** **Steve Thibault**, Burlington, CT (US)

* cited by examiner

(73) **Assignee:** **The Wiremold Company**, West Hartford, CT (US)

Primary Examiner—Nanda Bondade

Assistant Examiner—Selina Sikder

(**) **Term:** **14 Years**

(74) *Attorney, Agent, or Firm*—McCormick, Paulding & Huber LLP

(21) **Appl. No.:** **29/165,460**

(57) **CLAIM**

(22) **Filed:** **Aug. 9, 2002**

The ornamental design for a surface mounted electrical cable way, as shown and described.

(51) **LOC (7) Cl.** **13-03**

(52) **U.S. Cl.** **D13/184**

(58) **Field of Search** D13/155, 156,
D13/184; D8/356; 138/108, 115, 156; 16/225,
268; 52/288.1; 174/5 R, 41, 48, 66, 68.3,
72 C, 95, 97, 136, 139; 439/216

DESCRIPTION

(56) **References Cited**

U.S. PATENT DOCUMENTS

- D348,432 S * 7/1994 Dubruco D13/155
- D371,343 S * 7/1996 Loftus D13/155
- 6,084,180 A * 7/2000 DeBartolo, Jr. et al. 174/95
- D432,091 S * 10/2000 Berkowitz et al. D13/155
- 6,191,363 B1 * 2/2001 Samuels 174/68.3
- 6,239,357 B1 * 5/2001 Mabry, III et al. 174/5 R

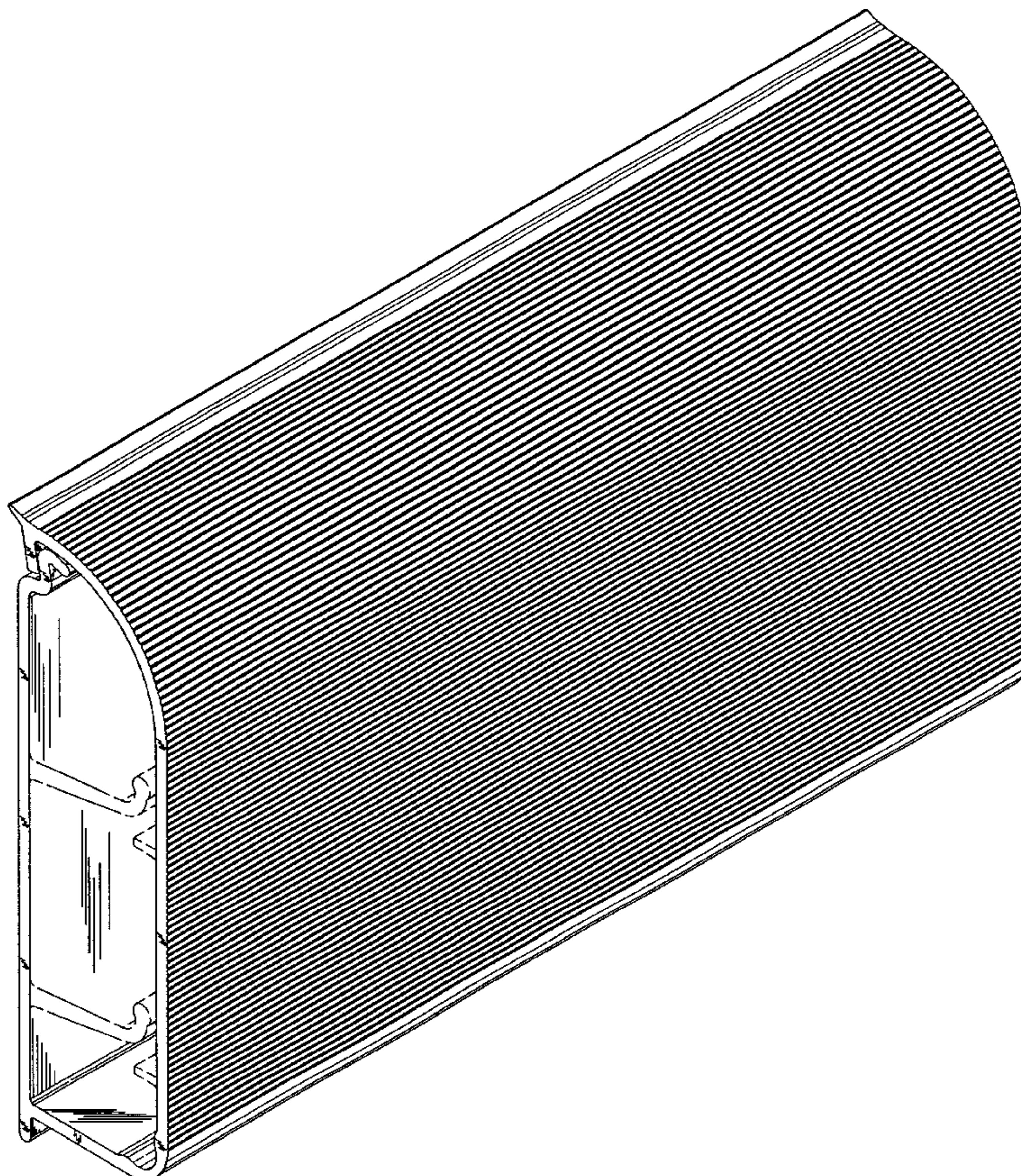
FIG. 1 is a perspective view, showing my new design and illustrating the cable way of the present invention as it would appear mounted to a wall surface, the phantom line portions forming no part of the design.

FIG. 2 is a rear quartering perspective view of the cable way illustrated in FIG. 1, the phantom line portions forming no part of the present invention.

FIG. 3 is a cross-sectional view of the cable way illustrated in FIGS. 1 and 2; and,

FIG. 4 is an exploded view taken generally in the area depicted at 4 in FIG. 3.

1 Claim, 3 Drawing Sheets



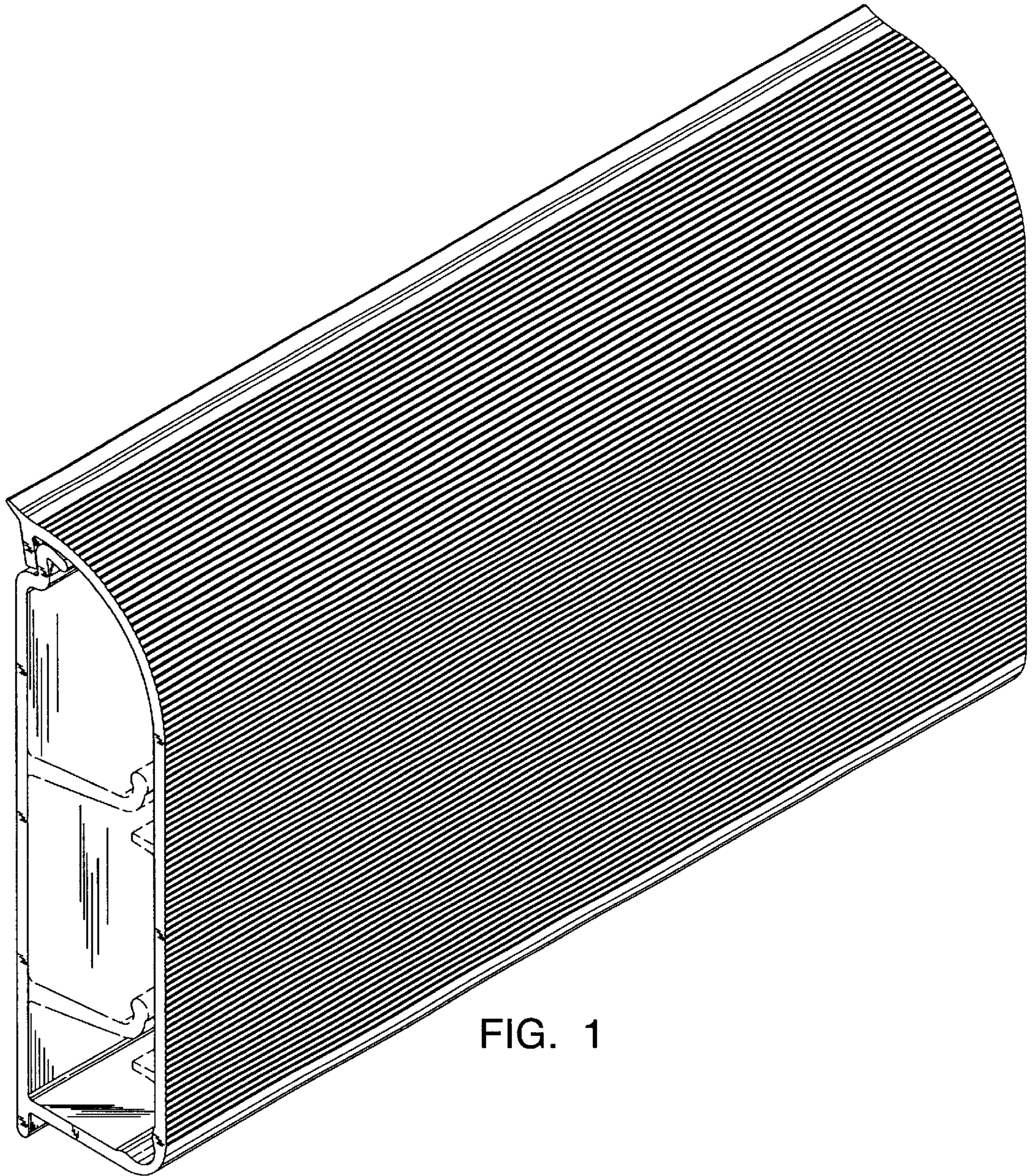


FIG. 1

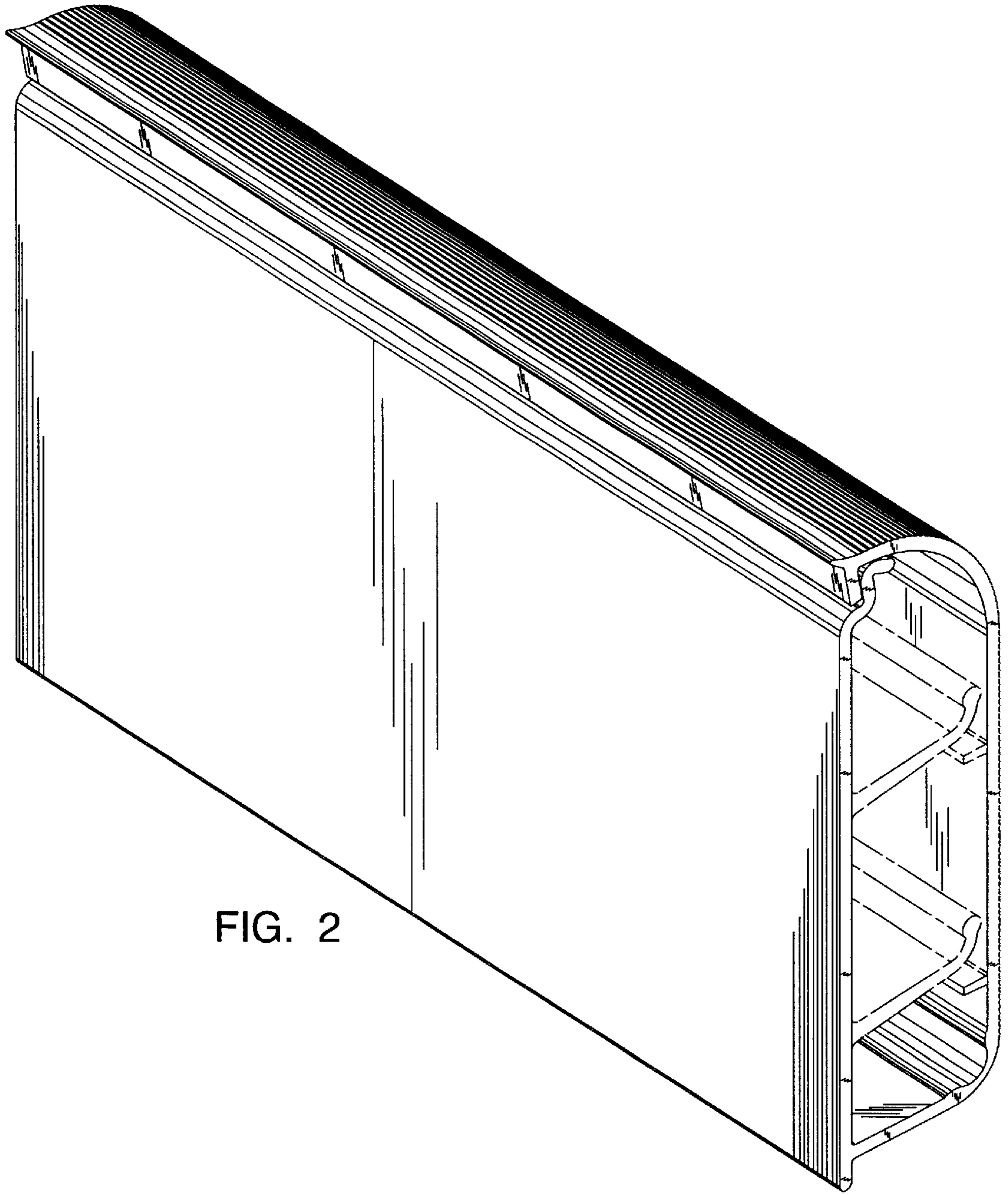


FIG. 2

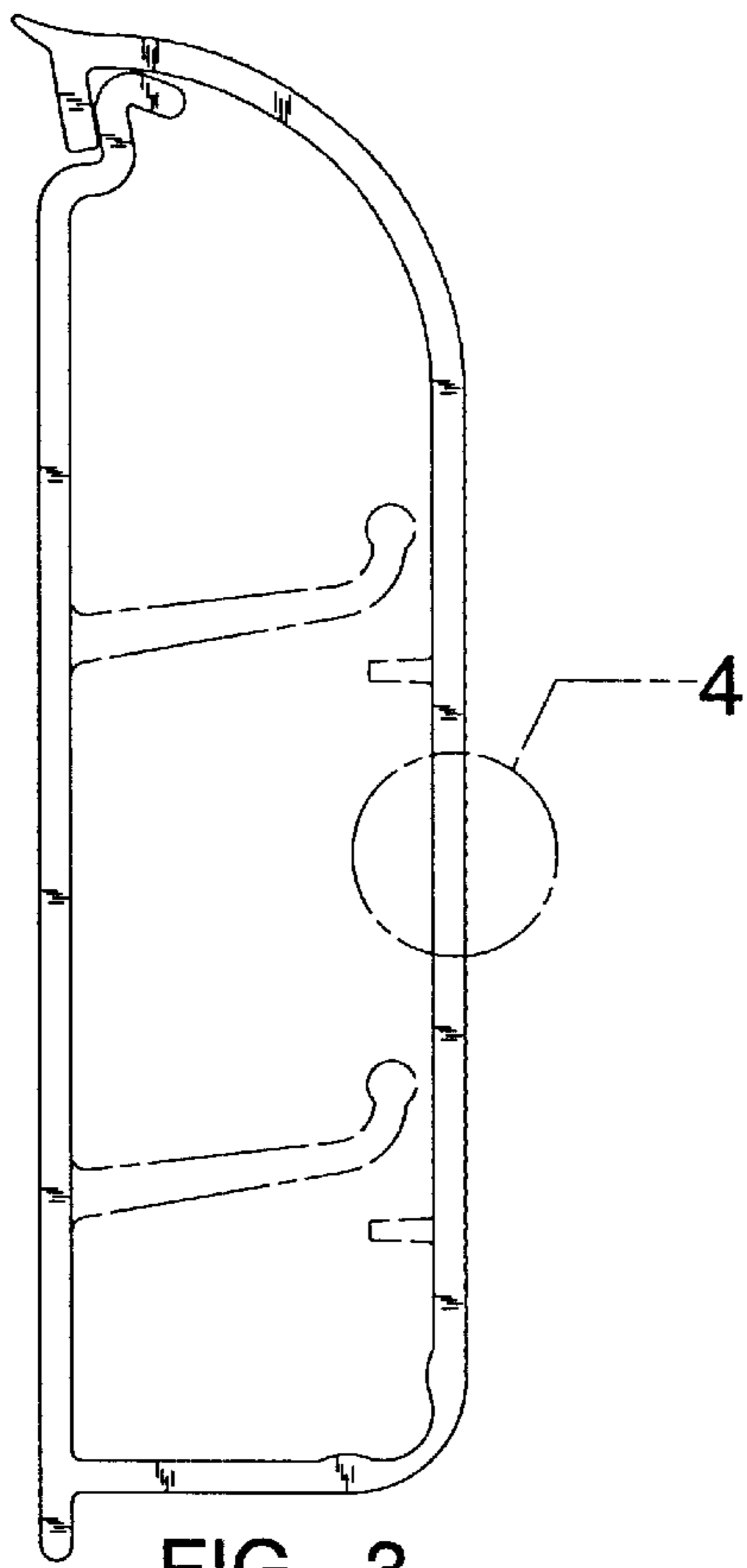


FIG. 3

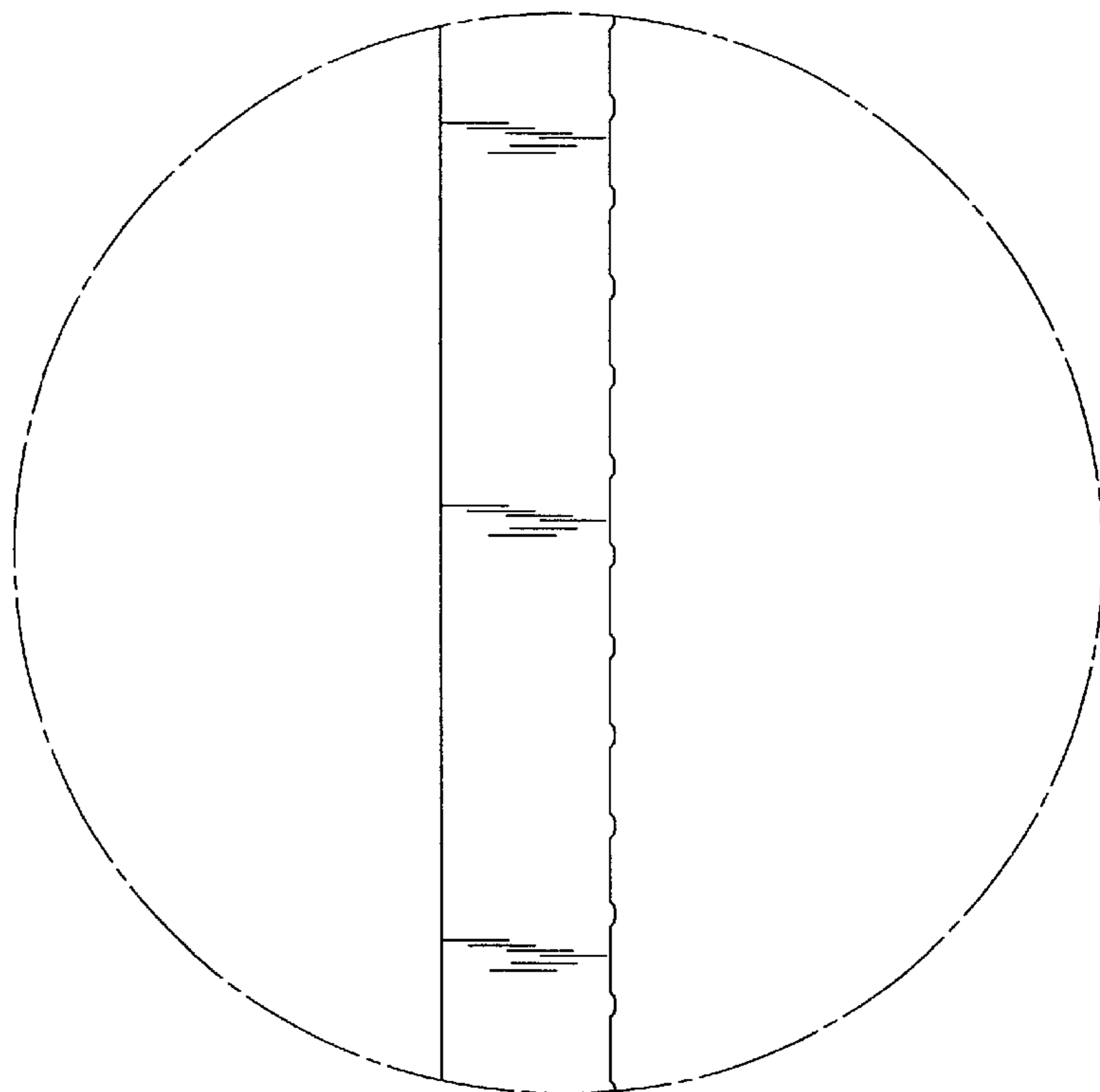


FIG. 4