



US00D486129S

(12) **United States Design Patent**
Chen et al.

(10) **Patent No.:** **US D486,129 S**

(45) **Date of Patent:** **** Feb. 3, 2004**

(54) **HEAT PIPE HEAT SINK ASSEMBLY**

(75) Inventors: **Chun-Chi Chen**, Tu-chen (TW);
JianJun Zhang, Shenzhen (TW); **Chin Hsien Lan**, Tu-chen (TW)

(73) Assignee: **Hon Hai Precision Ind. Co., Ltd.**,
Taipei Hsien (TW)

(**) Term: **14 Years**

(21) Appl. No.: **29/174,038**

(22) Filed: **Jan. 9, 2003**

(30) **Foreign Application Priority Data**

Oct. 11, 2002 (CN) 02 3 62903

(51) **LOC (7) Cl.** **13-03**

(52) **U.S. Cl.** **D13/179**

(58) **Field of Search** D13/179; 165/80.3,
165/104.14, 104.33, 121, 122, 180, 185;
174/16.3, 52.4; 206/713, 714, 715, 716,
727, 728; 257/706, 707, 718, 719, 720,
721, 722, 727, 686; 361/271, 274.3, 697,
702, 704, 709, 710, 711

(56) **References Cited**

U.S. PATENT DOCUMENTS

D400,188 S * 10/1998 Chu D13/179

6,269,003 B1 * 7/2001 Wen-Chen 361/704
6,341,644 B1 * 1/2002 Lo et al. 165/80.3
6,397,941 B1 * 6/2002 McCullough 165/185
6,401,810 B1 * 6/2002 Kuo et al. 165/185
6,538,889 B1 * 3/2003 Barsun et al. 361/704

* cited by examiner

Primary Examiner—Philip S. Hyder
Assistant Examiner—Selina Sikder
(74) *Attorney, Agent, or Firm*—Wei Te Chung

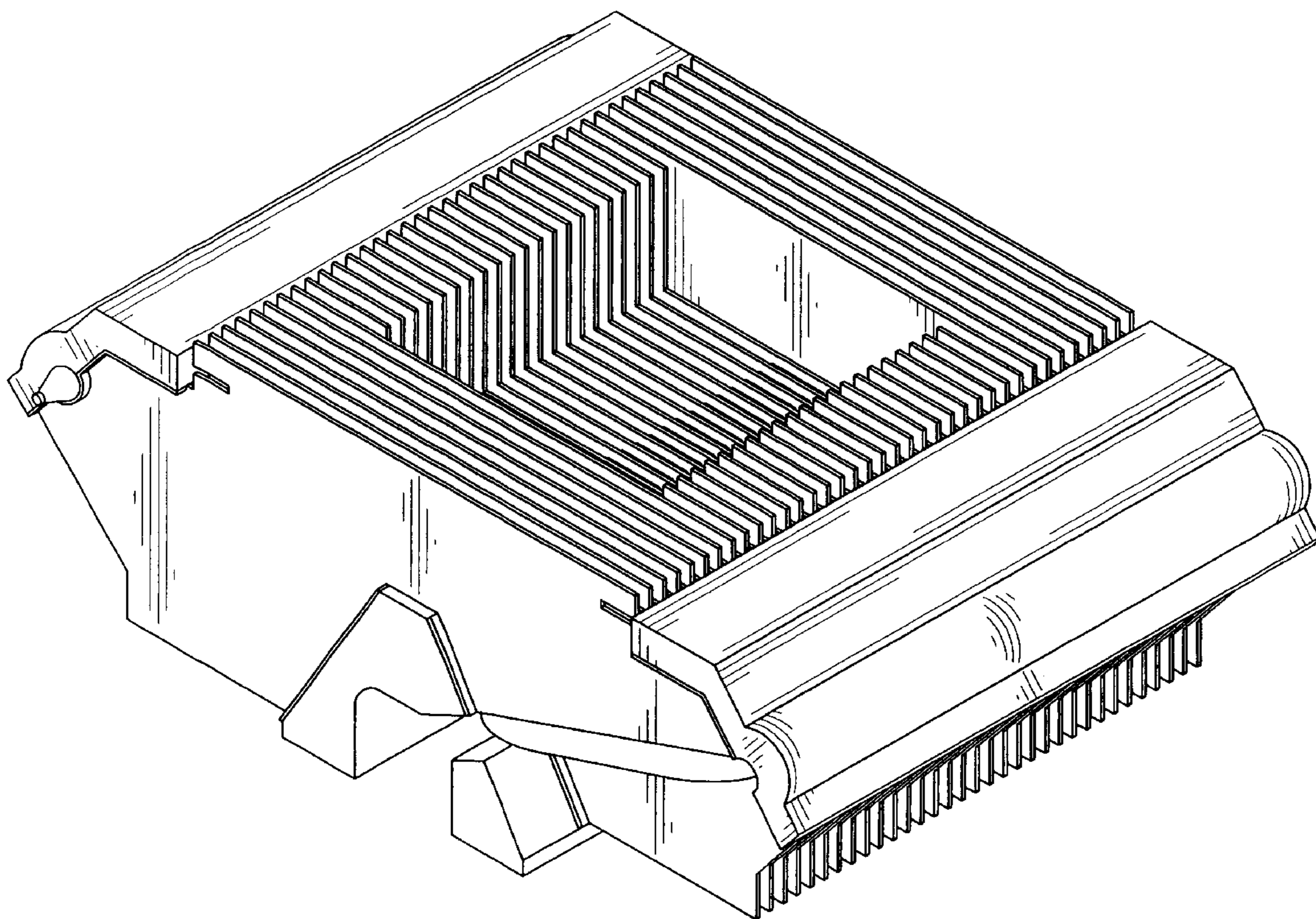
(57) **CLAIM**

The ornamental design for a heat pipe heat sink assembly, as shown and described.

DESCRIPTION

FIG. 1 is a perspective view of a heat pipe heat sink assembly showing our new design;
FIG. 2 is a front elevational view thereof;
FIG. 3 is a rear elevational view thereof;
FIG. 4 is a left side elevational view thereof;
FIG. 5 is a right side elevational view thereof;
FIG. 6 is a top plan view thereof; and,
FIG. 7 is a bottom plan view thereof.

1 Claim, 7 Drawing Sheets



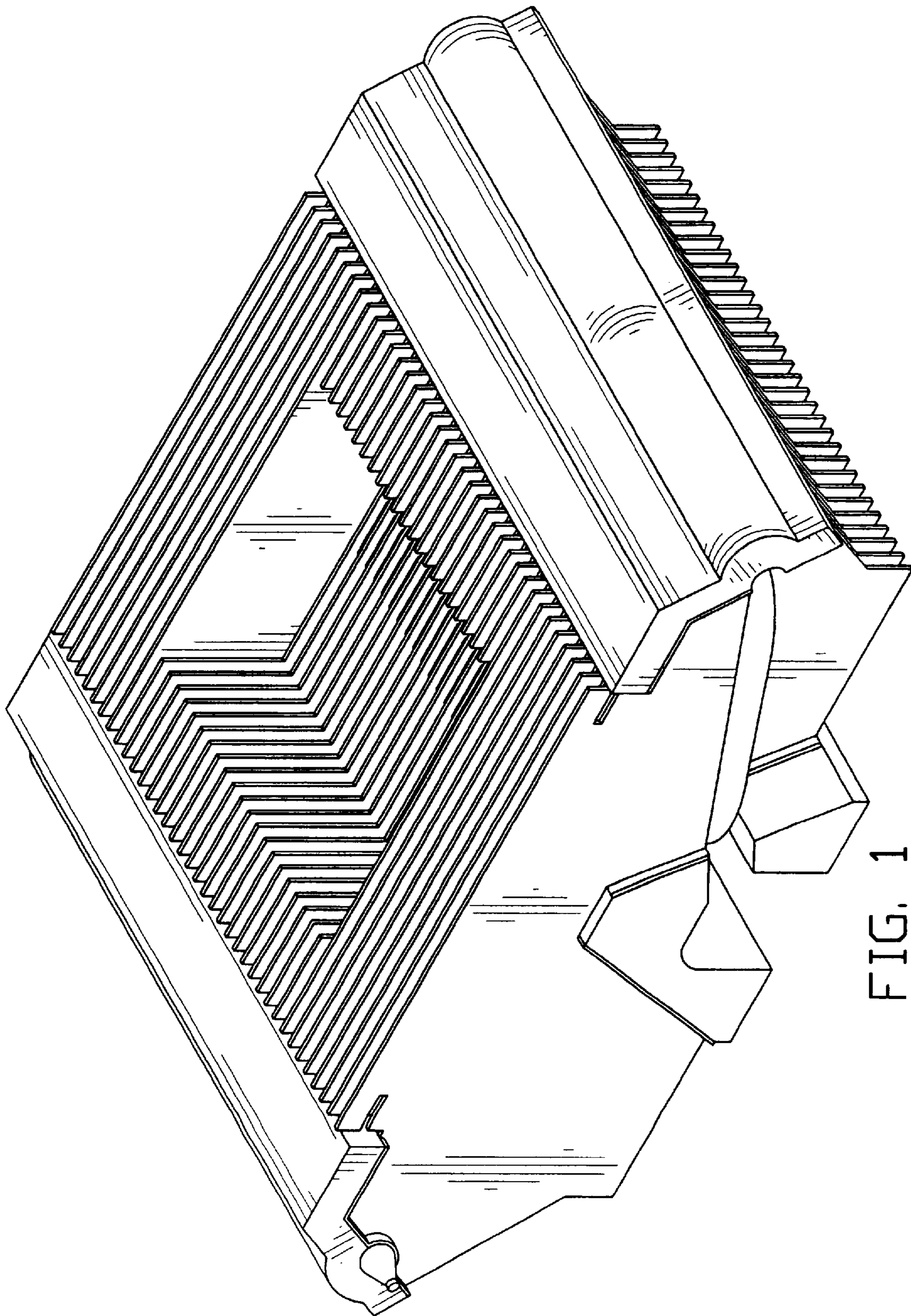


FIG. 1

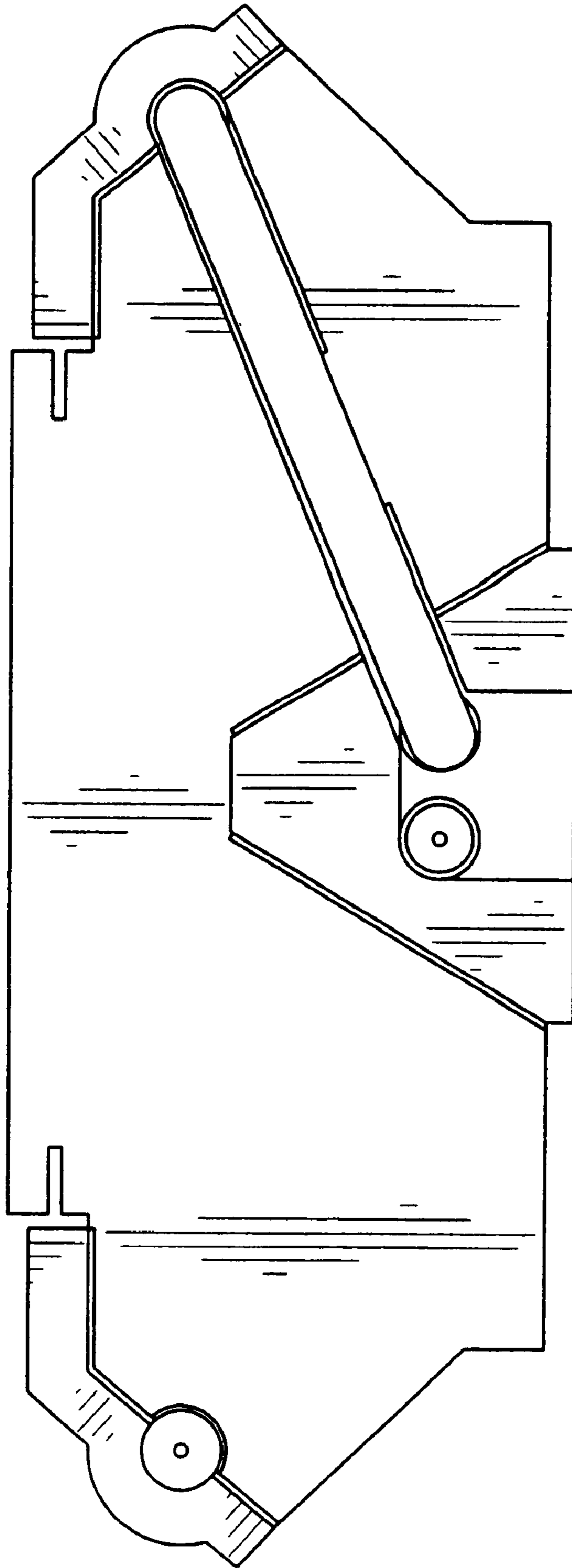


FIG. 2

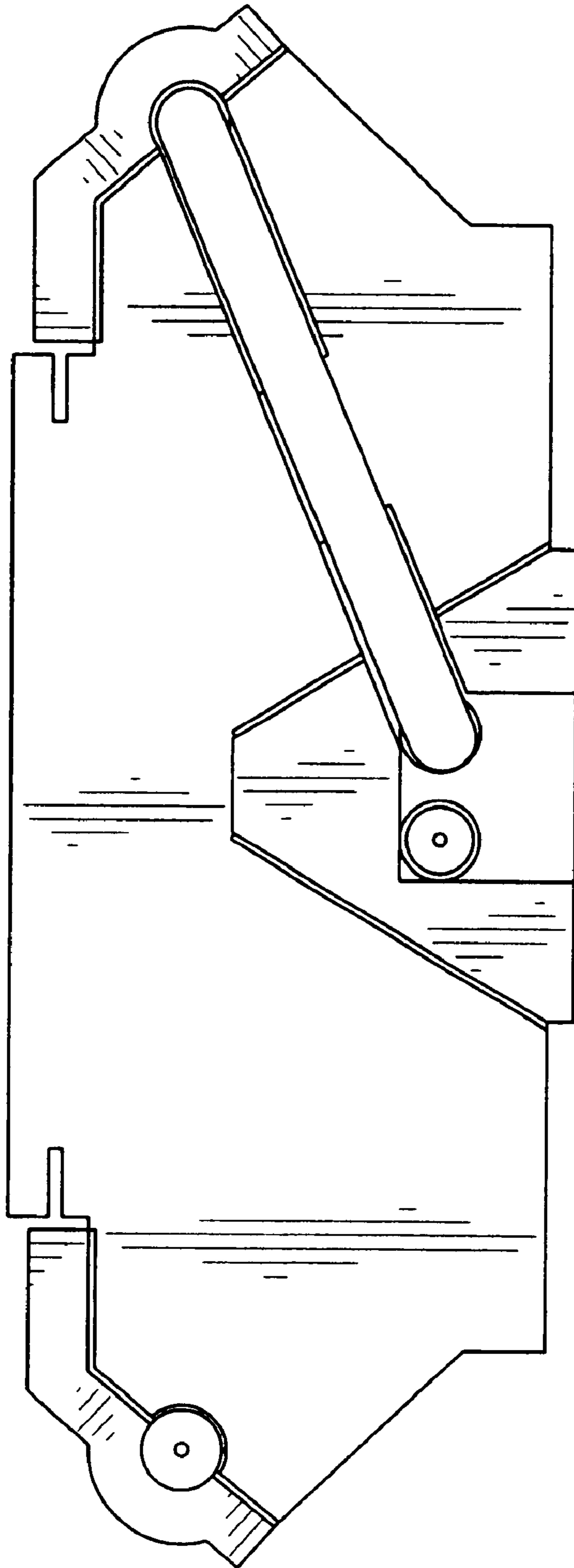


FIG. 3

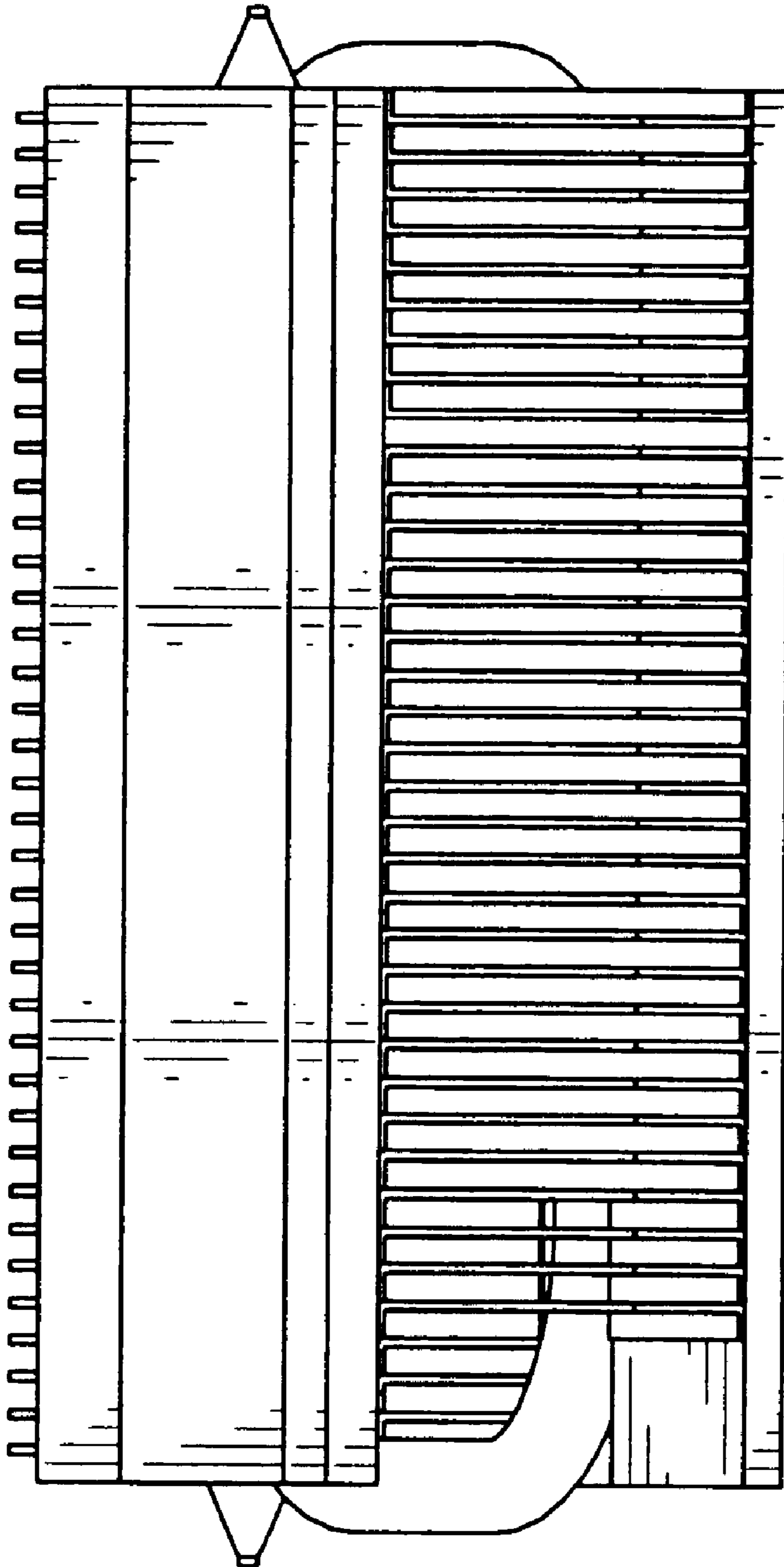


FIG. 4

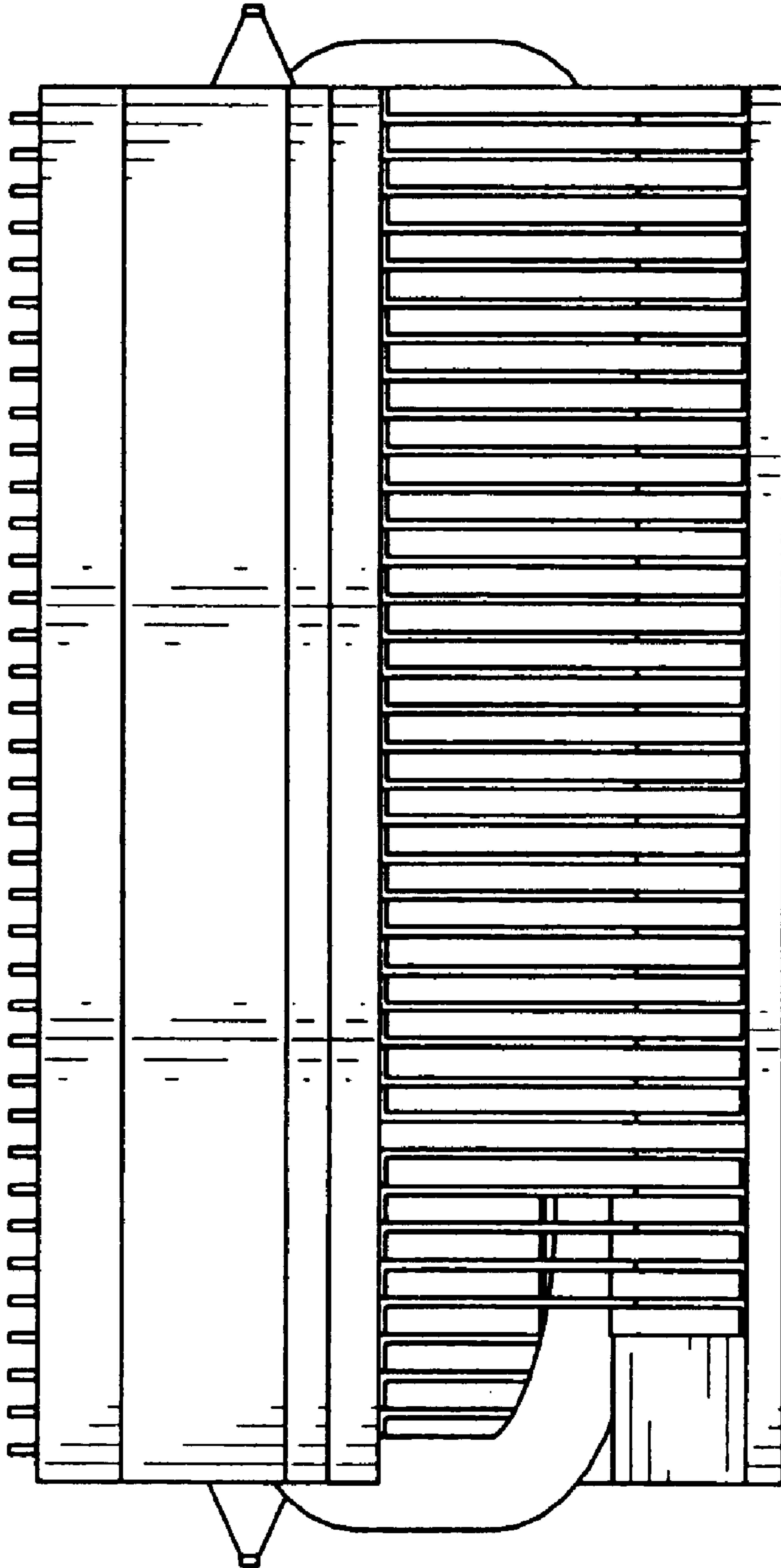


FIG. 5

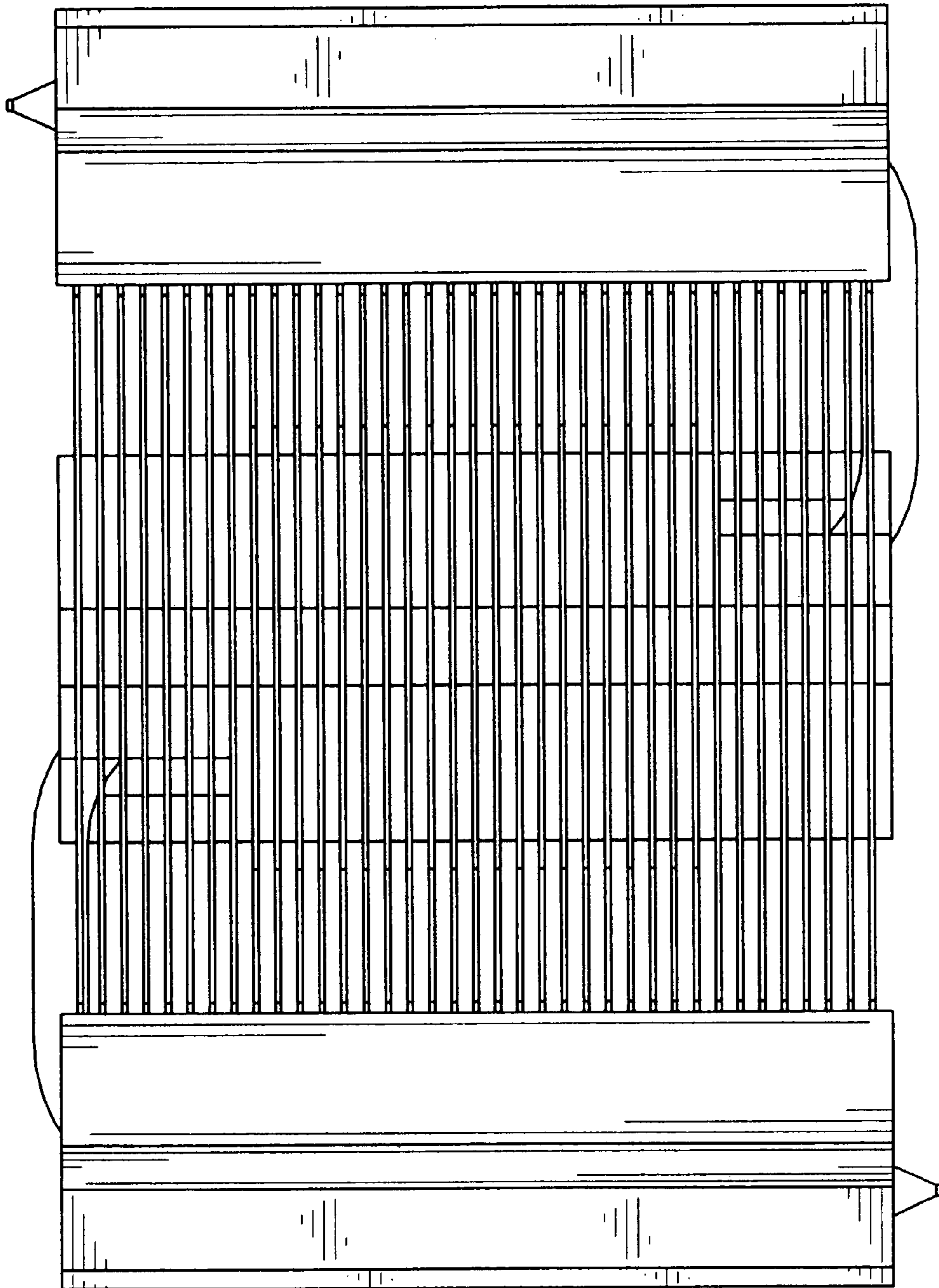


FIG. 6

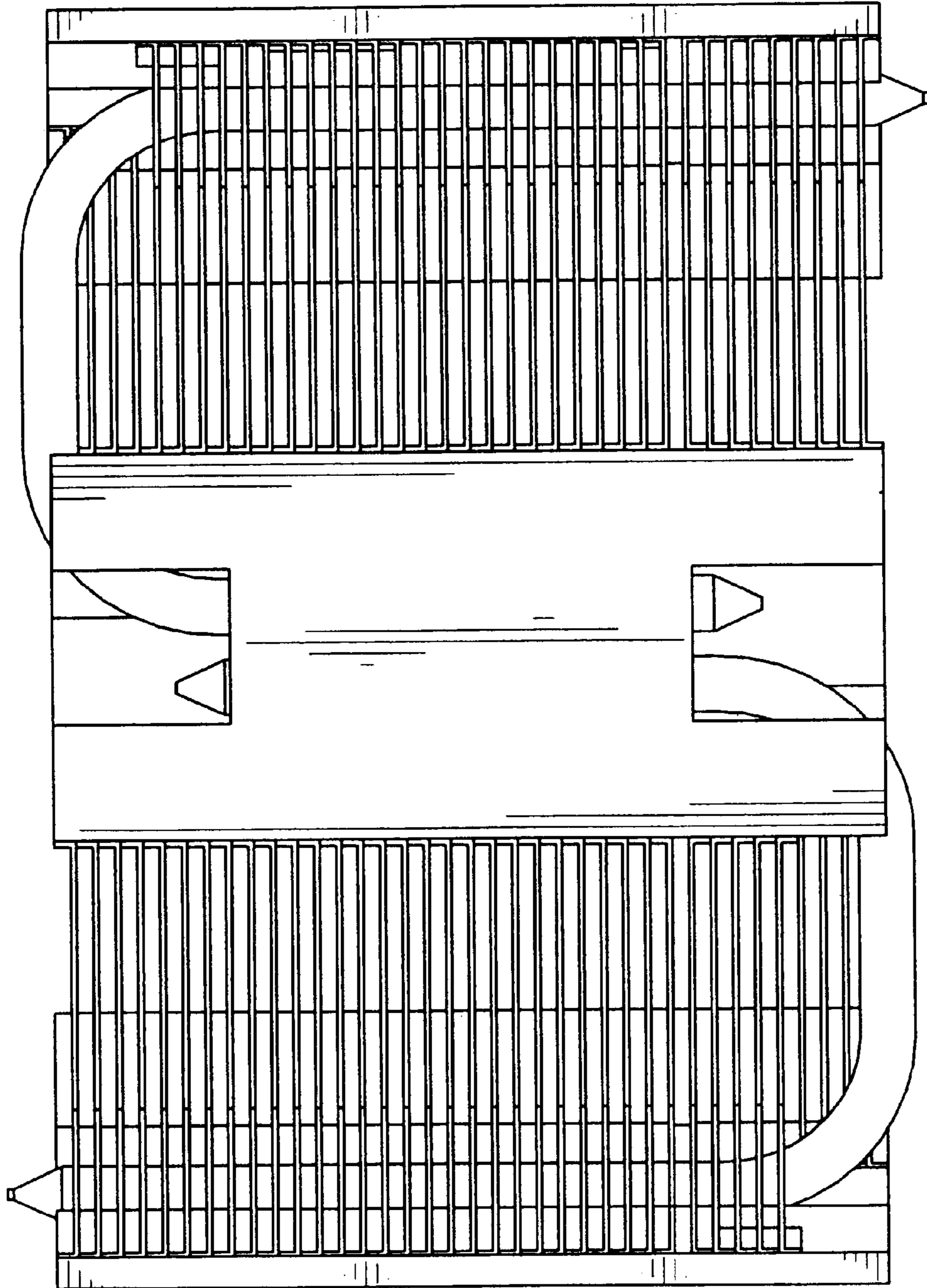


FIG. 7