



US00D486127S

(12) **United States Design Patent**
Donofrio et al.

(10) **Patent No.:** **US D486,127 S**

(45) **Date of Patent:** **** Feb. 3, 2004**

(54) **HAND PIECE SWITCH ADAPTER**

(75) Inventors: **William T. Donofrio**, Cincinnati, OH (US); **Richard M. Harper**, Cincinnati, OH (US); **Robert Perrin Gill**, Mason, OH (US); **Richard F. Schwemberger**, Cincinnati, OH (US); **Mary E. Schramm**, Cincinnati, OH (US)

(73) Assignee: **Ethicon Endo-Surgery, Inc.**, Cincinnati, OH (US)

(**) Term: **14 Years**

(21) Appl. No.: **29/160,112**

(22) Filed: **May 3, 2002**

Related U.S. Application Data

(62) Division of application No. 29/131,393, filed on May 1, 2001, now Pat. No. Des. 462,667.

(51) **LOC (7) Cl.** **13-03**

(52) **U.S. Cl.** **D13/168**

(58) **Field of Search** D13/158, 164, D13/168; D10/49, 104; D14/192, 218, 426, 432, 433; 200/293, 293.1, 332.2; 606/45, 51

(56) **References Cited**

U.S. PATENT DOCUMENTS

1,242,115 A * 10/1917 Russell 200/551
3,161,899 A * 12/1964 Poizat 15/23
4,772,765 A * 9/1988 Markle et al. 200/1 V
D318,670 S * 7/1991 Taniguchi D14/205

D322,609 S * 12/1991 Patton D14/218
D326,655 S * 6/1992 Iribe D14/192
D344,524 S * 2/1994 Taniguchi D14/218
D364,641 S * 11/1995 Osterhout D19/36
D381,417 S * 7/1997 Simmons et al. D24/112
D419,556 S * 1/2000 Haney D14/192
D420,004 S * 2/2000 Haney D14/192
D445,708 S * 7/2001 Huang et al. D10/104
D446,512 S * 8/2001 Lee D14/248
D448,359 S * 9/2001 Do et al. D14/223

* cited by examiner

Primary Examiner—Philip S. Hyder

Assistant Examiner—Selina Sikder

(74) *Attorney, Agent, or Firm*—Darby & Darby

(57) **CLAIM**

The ornamental design for a hand piece switch adapter, as shown and described.

DESCRIPTION

FIG. 1 is a perspective view of the hand piece switch adapter, as seen from the top, front, and right sides, the broken lines shown for illustrative purpose only and forms no part of the claimed design;
FIG. 2 is a top plan view thereof;
FIG. 3 is a right side elevational view thereof, the left side elevation being a mirror image;
FIG. 4 is a bottom plan view thereof;
FIG. 5 is a front elevational view thereof;
FIG. 6 is a rear elevational view thereof;
FIG. 7 is an exploded perspective view thereof; and,
FIG. 8 is an exploded top plan view thereof.

1 Claim, 4 Drawing Sheets

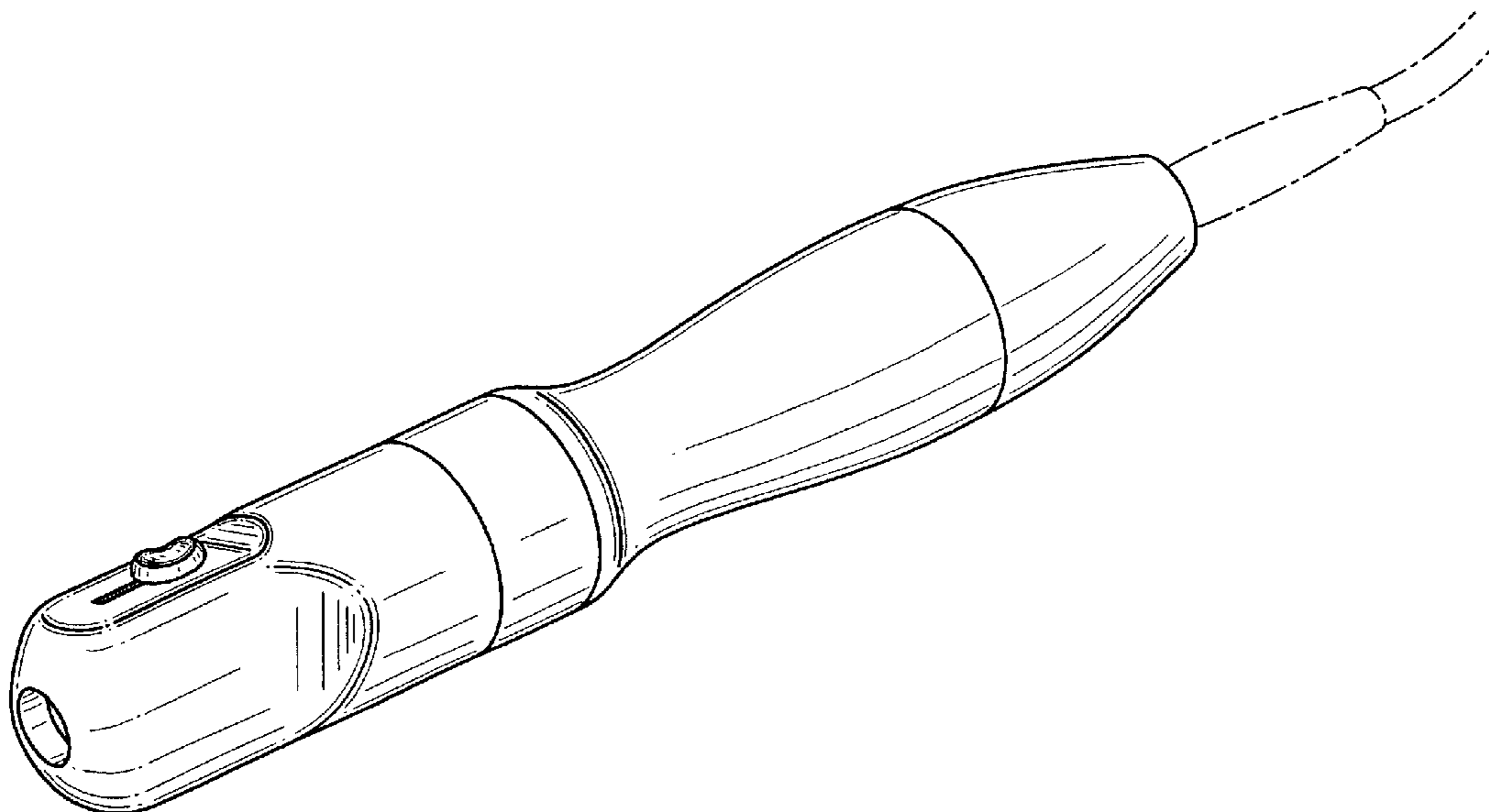


FIG. 1

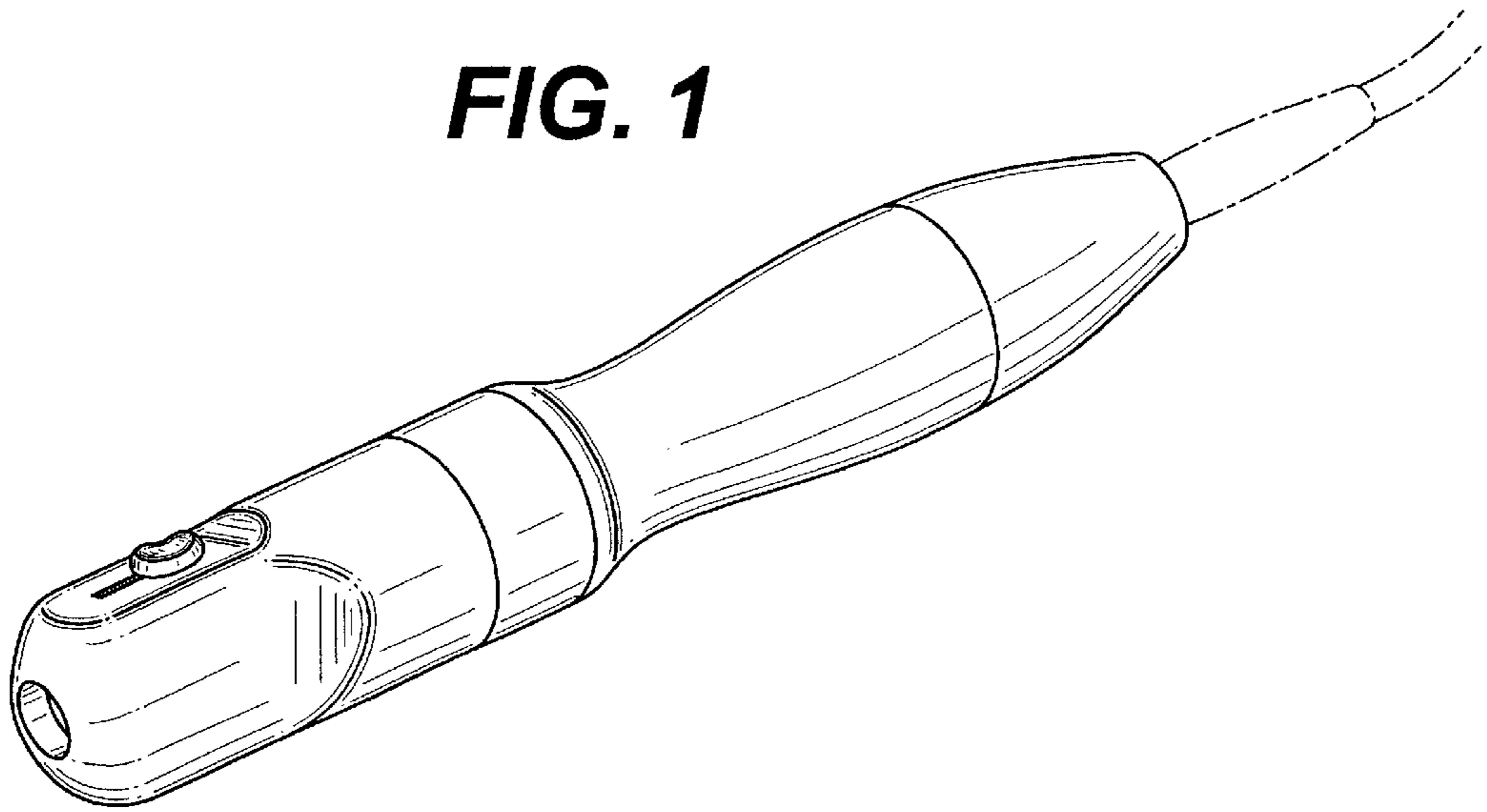


FIG. 2

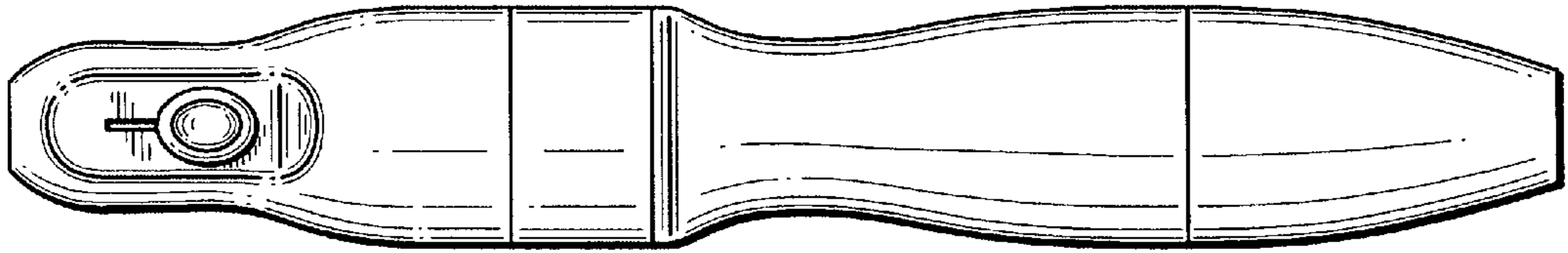


FIG. 3

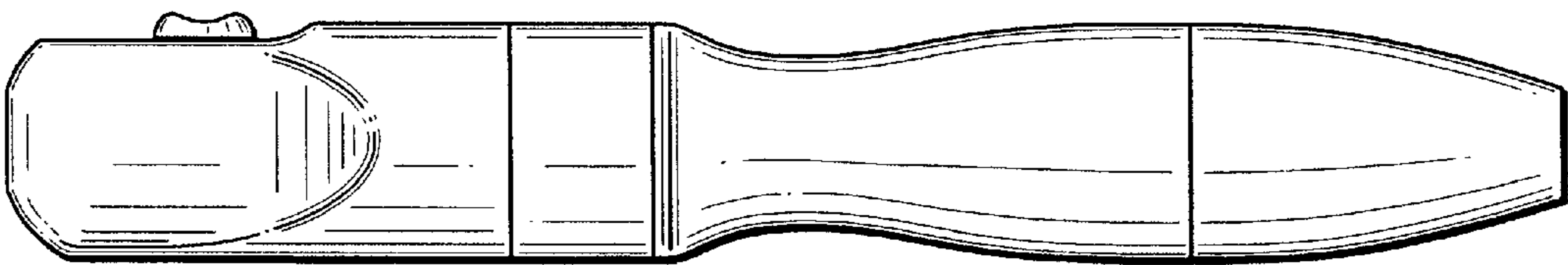


FIG. 4

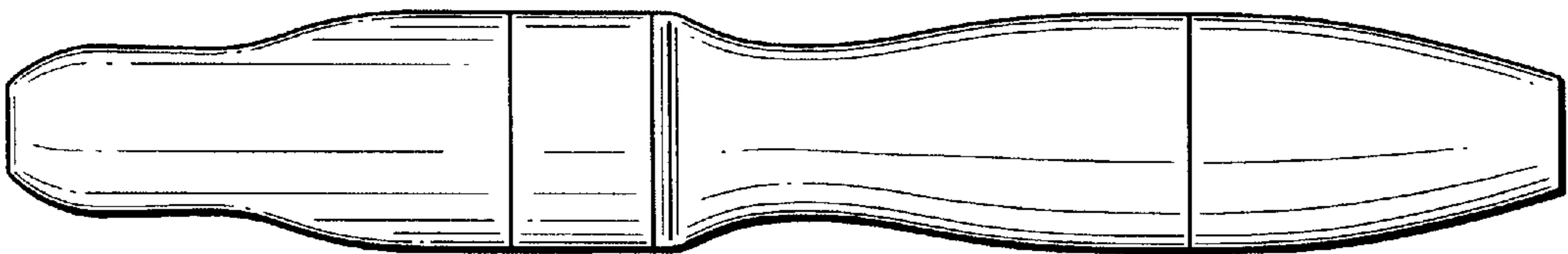


FIG. 5

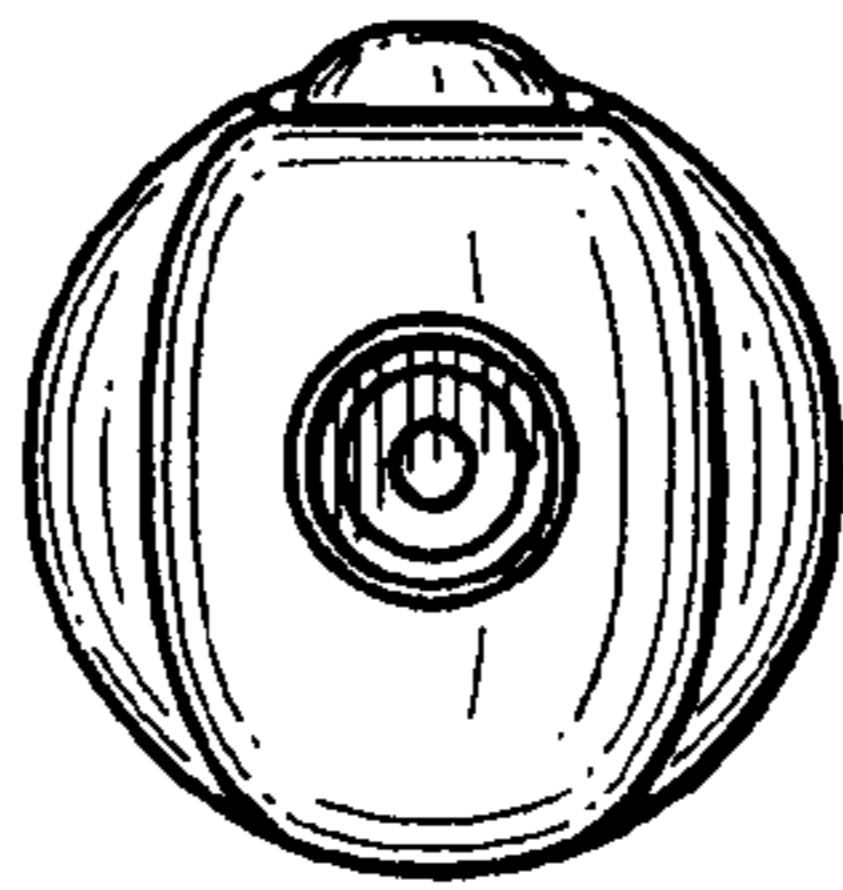
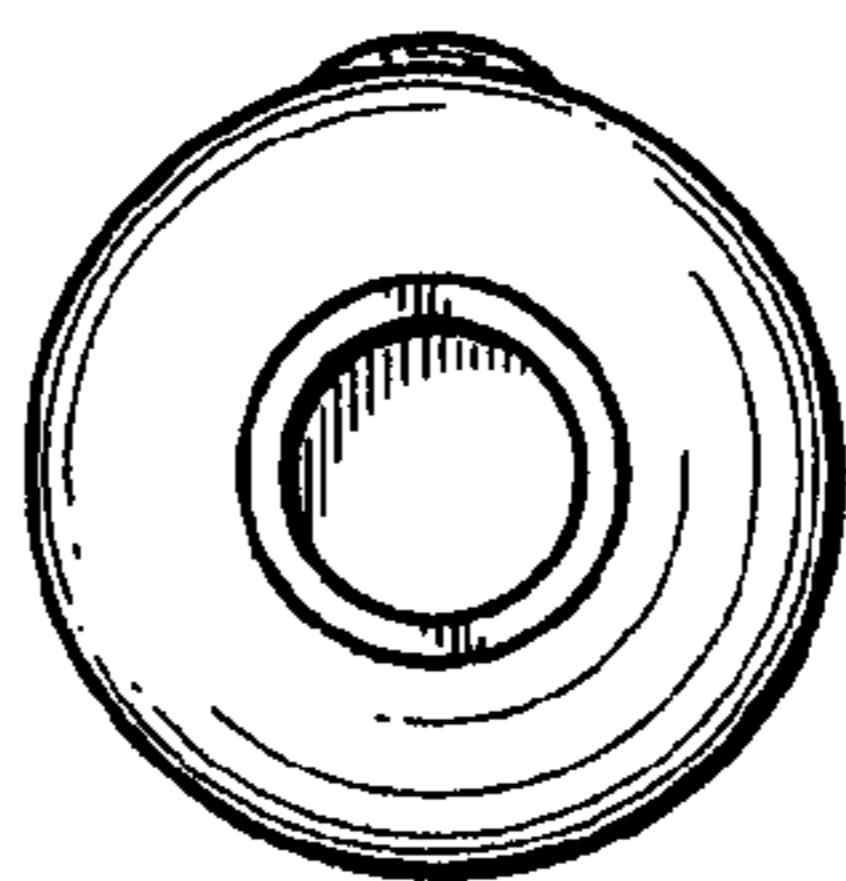


FIG. 6



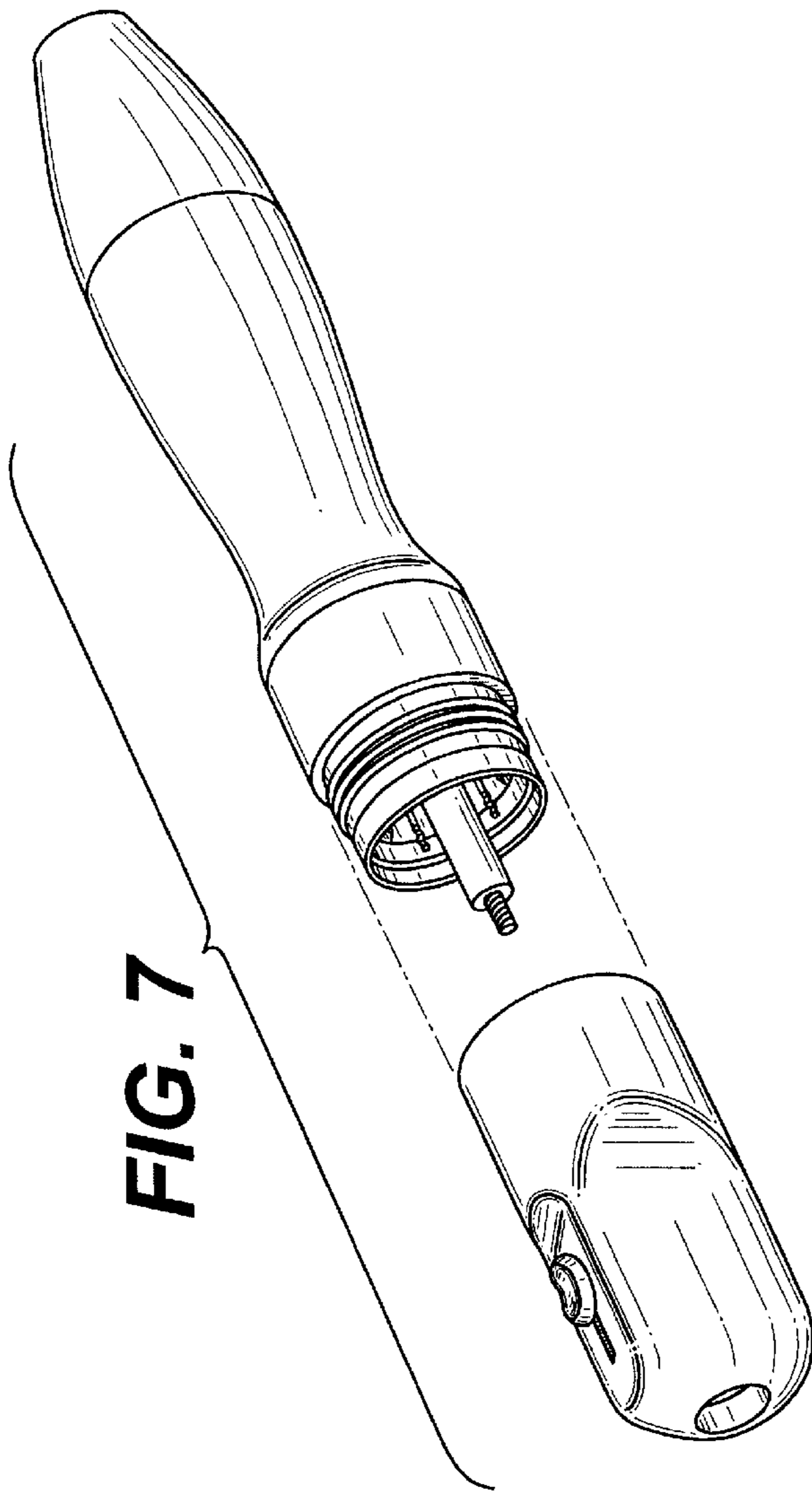


FIG. 8

