



US00D486125S

(12) **United States Design Patent**
Lim

(10) **Patent No.:** **US D486,125 S**

(45) **Date of Patent:** **** Feb. 3, 2004**

(54) **CHARGER APPARATUS**

(75) Inventor: **Choo Soo Lim**, Samutprakarn (TH)

(73) Assignees: **Delta Electronics, Inc.**, Taipei (TW);
Delta Electronics (Thailand) Public Company, Ltd., Samutprakarn (TH)

(**) Term: **14 Years**

(21) Appl. No.: **29/170,076**

(22) Filed: **Oct. 31, 2002**

(30) **Foreign Application Priority Data**

Sep. 11, 2002 (TW) 91305061

(51) **LOC (7) Cl.** **13-02**

(52) **U.S. Cl.** **D13/108**

(58) **Field of Search** D13/107, 108,
D13/138.1, 110; 320/107-115

(56) **References Cited**

U.S. PATENT DOCUMENTS

D186,434 S * 10/1959 King D13/138.1

D347,617 S * 6/1994 Tattari D13/107
D398,581 S * 9/1998 Chang D13/138.1
D400,855 S * 11/1998 Lee D13/138.1
D452,842 S * 1/2002 Kajiwara et al. D13/110

* cited by examiner

Primary Examiner—Joel Sincavage

(74) *Attorney, Agent, or Firm*—Michael, Best & Friedrich, LLC

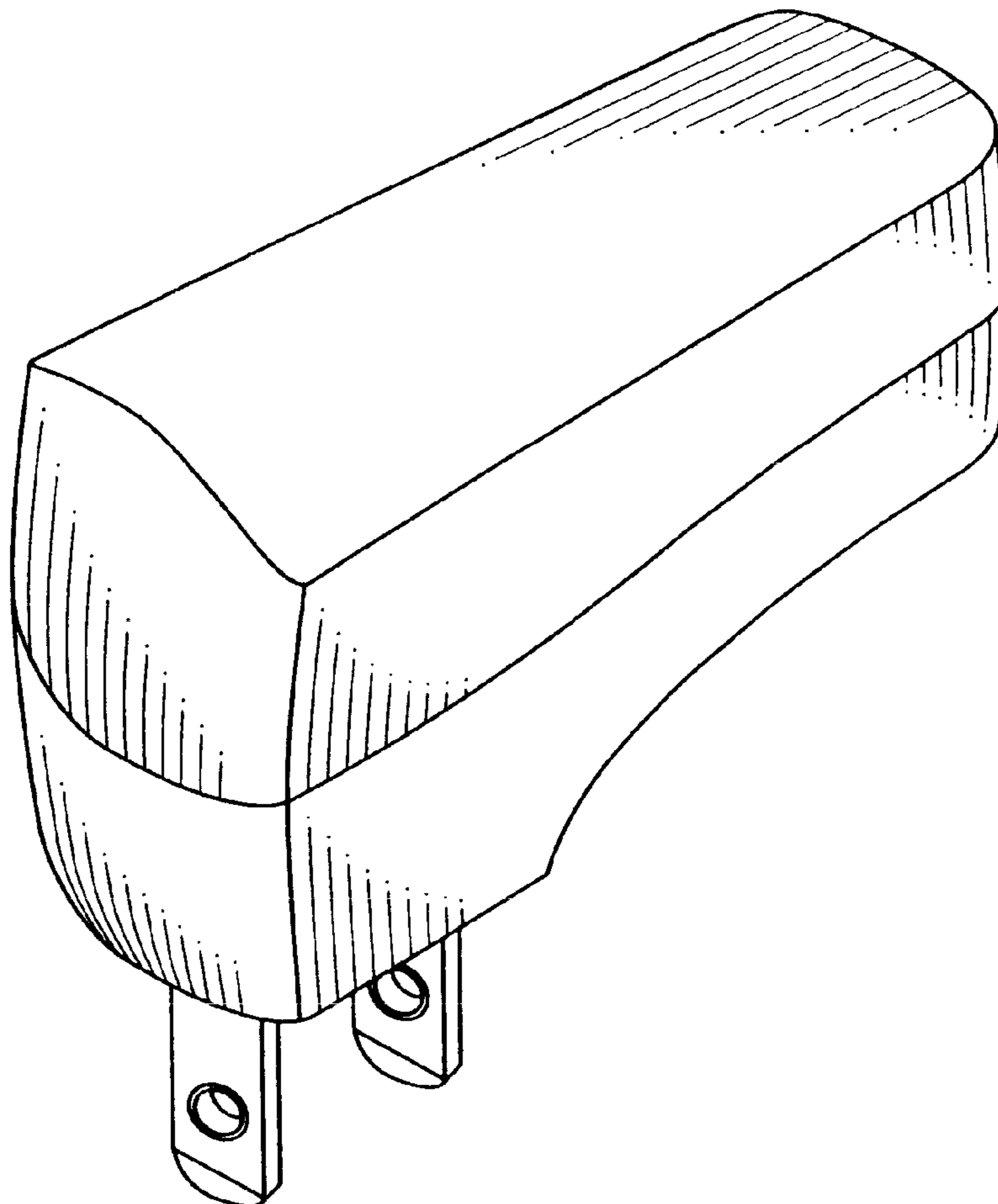
(57) **CLAIM**

The ornamental design for a charger apparatus, as shown and described.

DESCRIPTION

FIG. 1 is a perspective view showing a charger apparatus of the present design;
FIG. 2 is a right side view thereof;
FIG. 3 is a rear elevational view thereof;
FIG. 4 is a top plane view thereof;
FIG. 5 is a front elevational view thereof;
FIG. 6 is a left side view thereof; and,
FIG. 7 is a bottom plane view thereof.

1 Claim, 7 Drawing Sheets



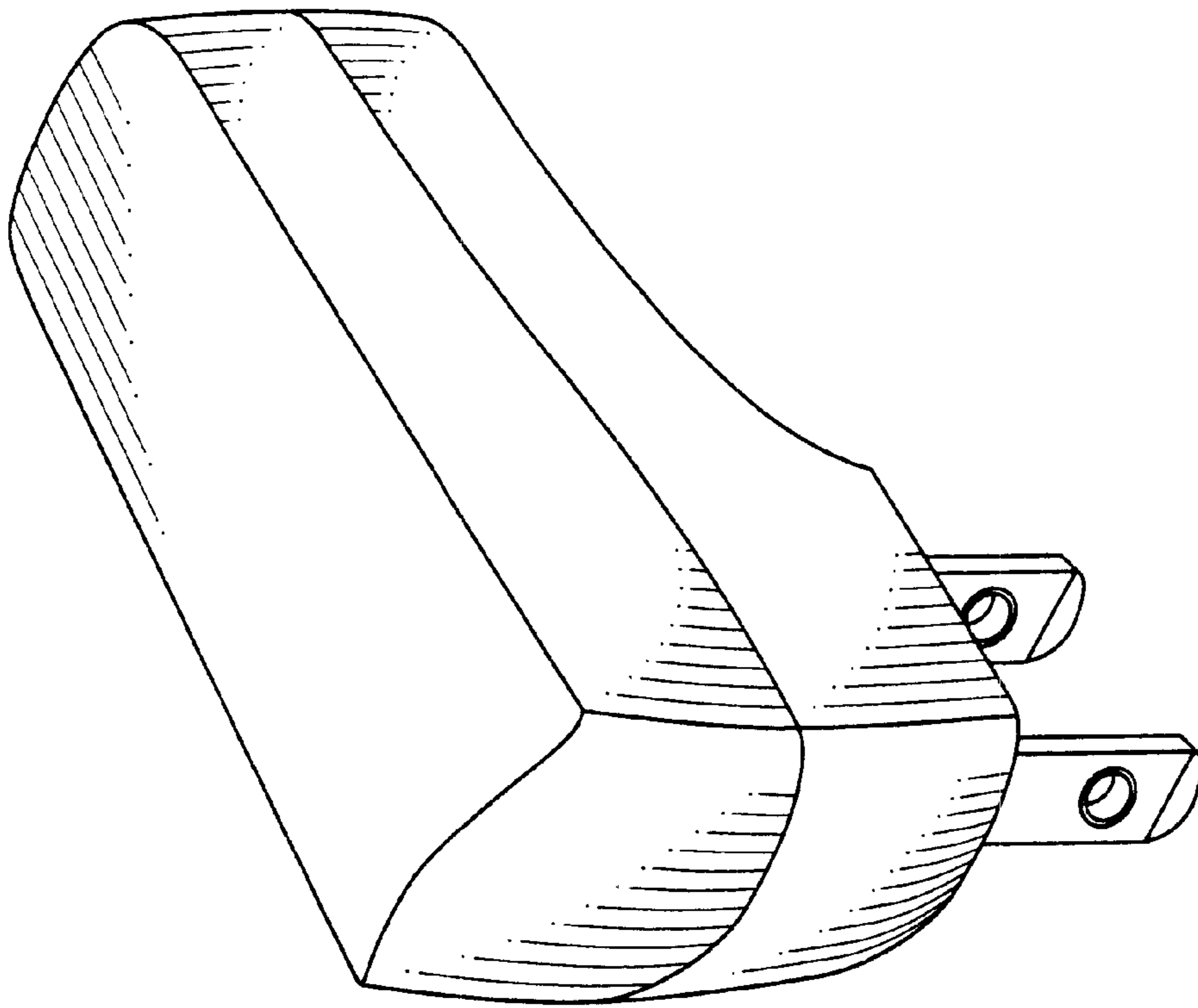


Fig.1

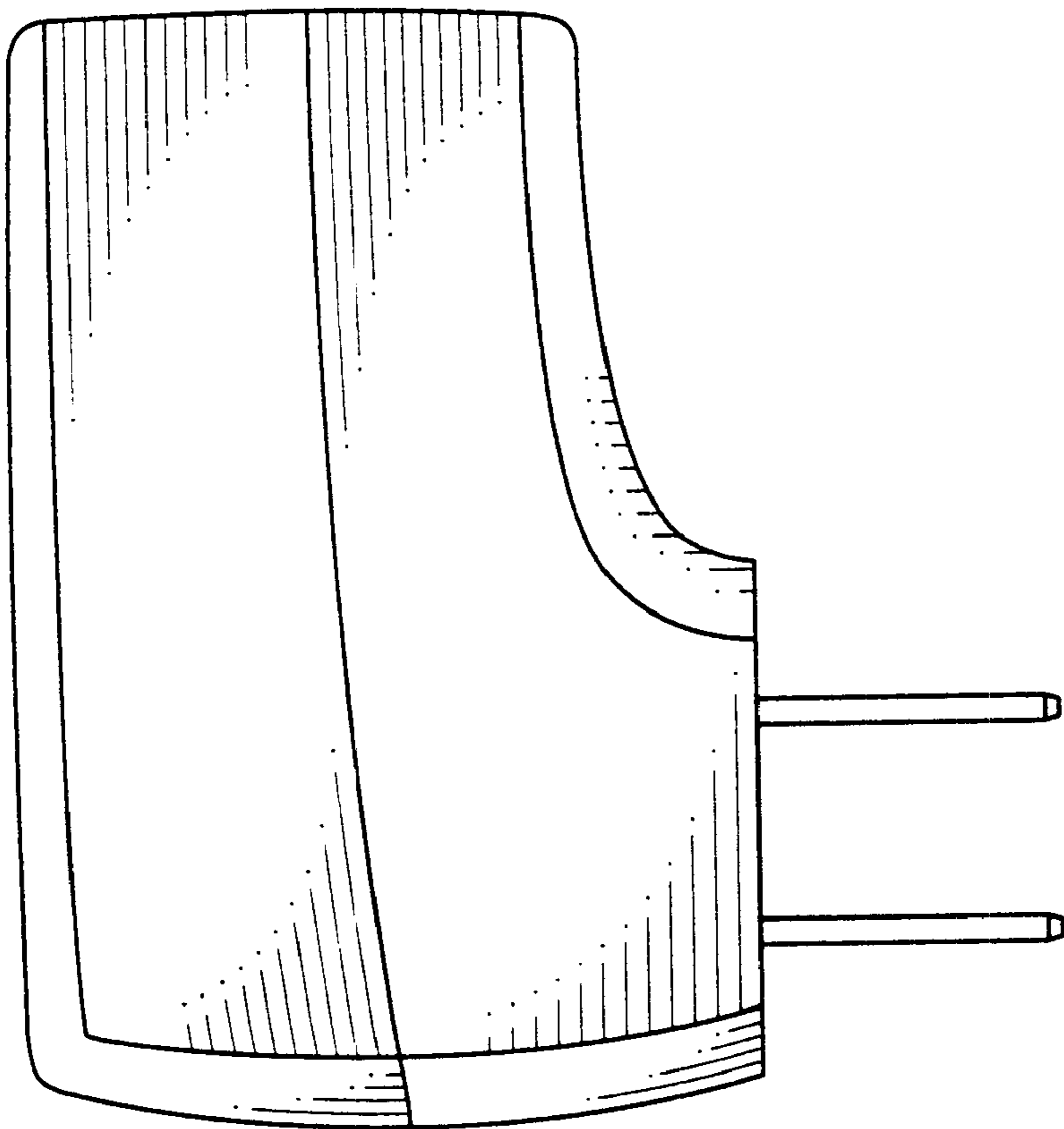


Fig. 2

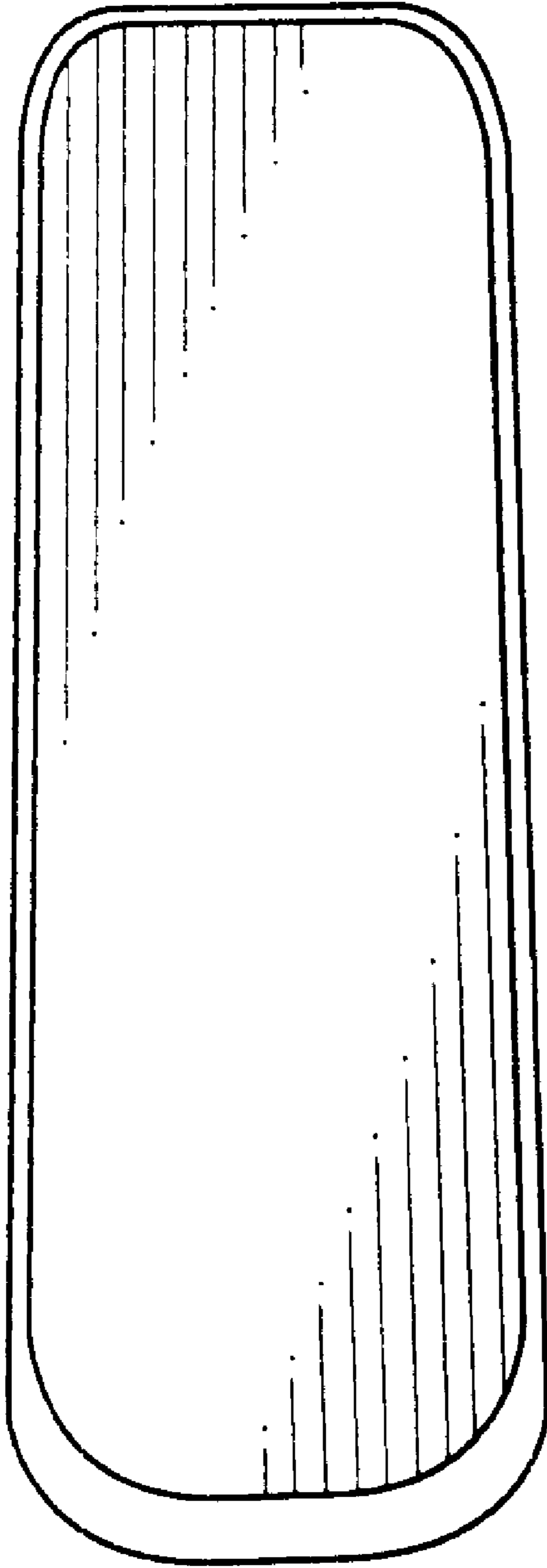


Fig. 3

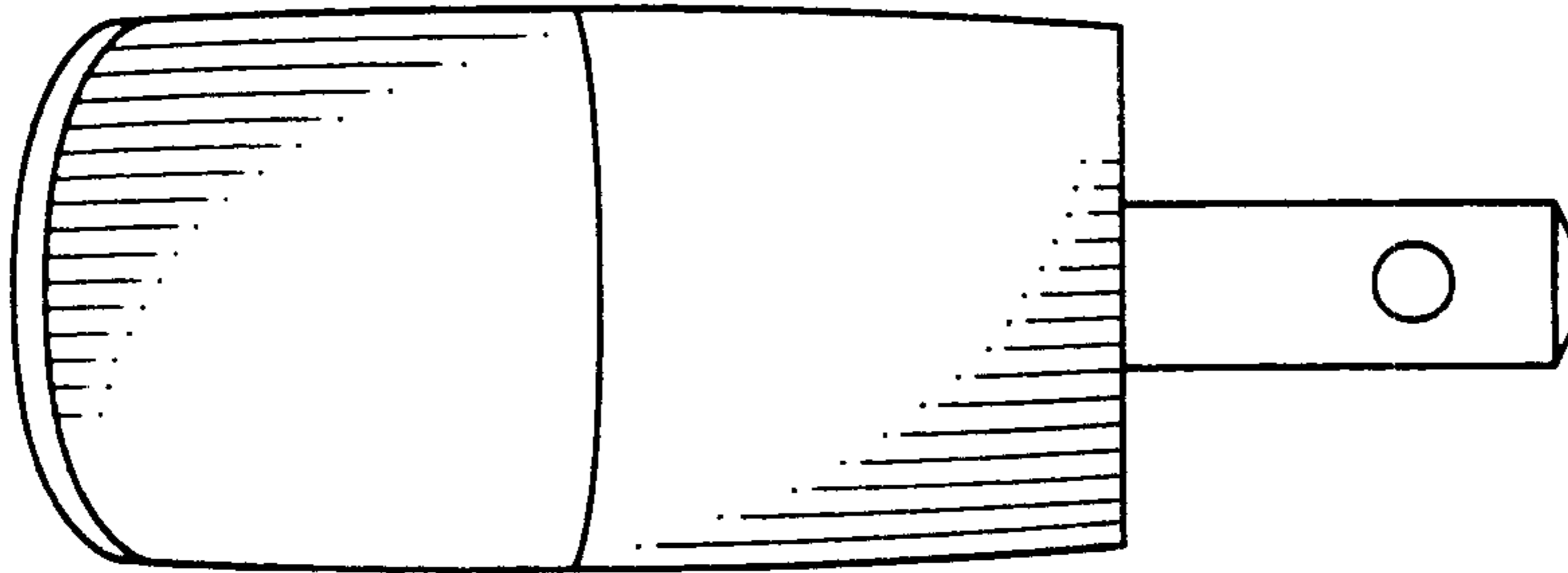


Fig.4

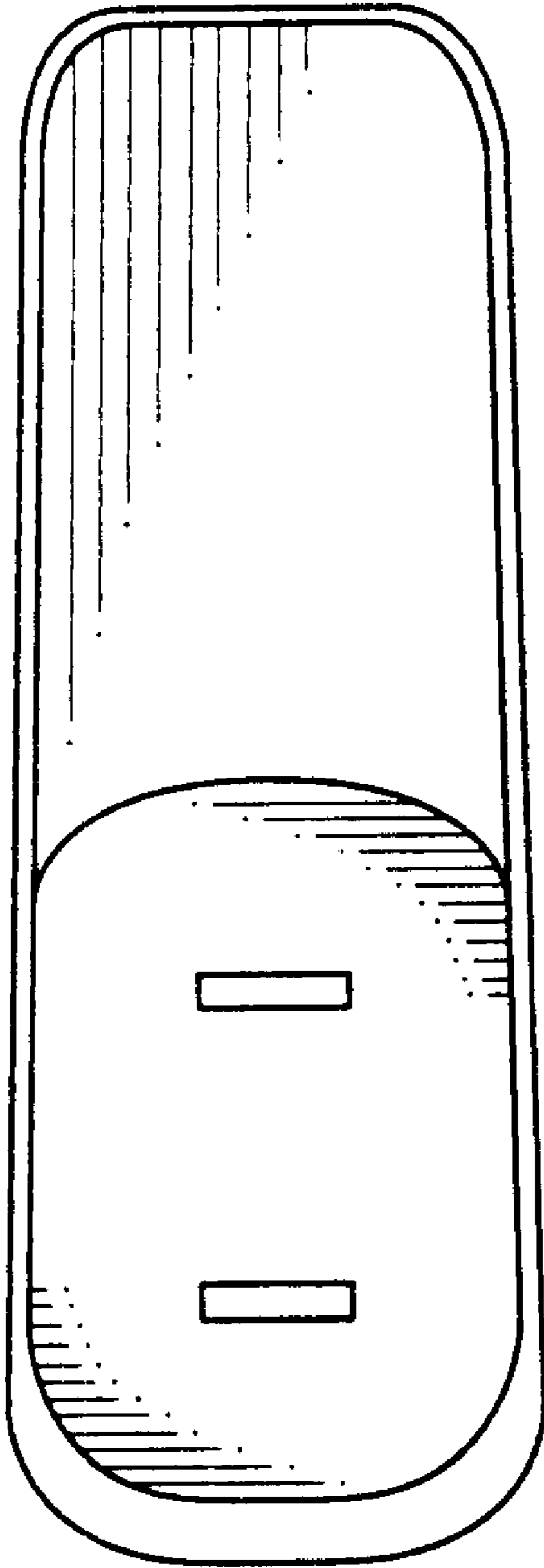


Fig. 5

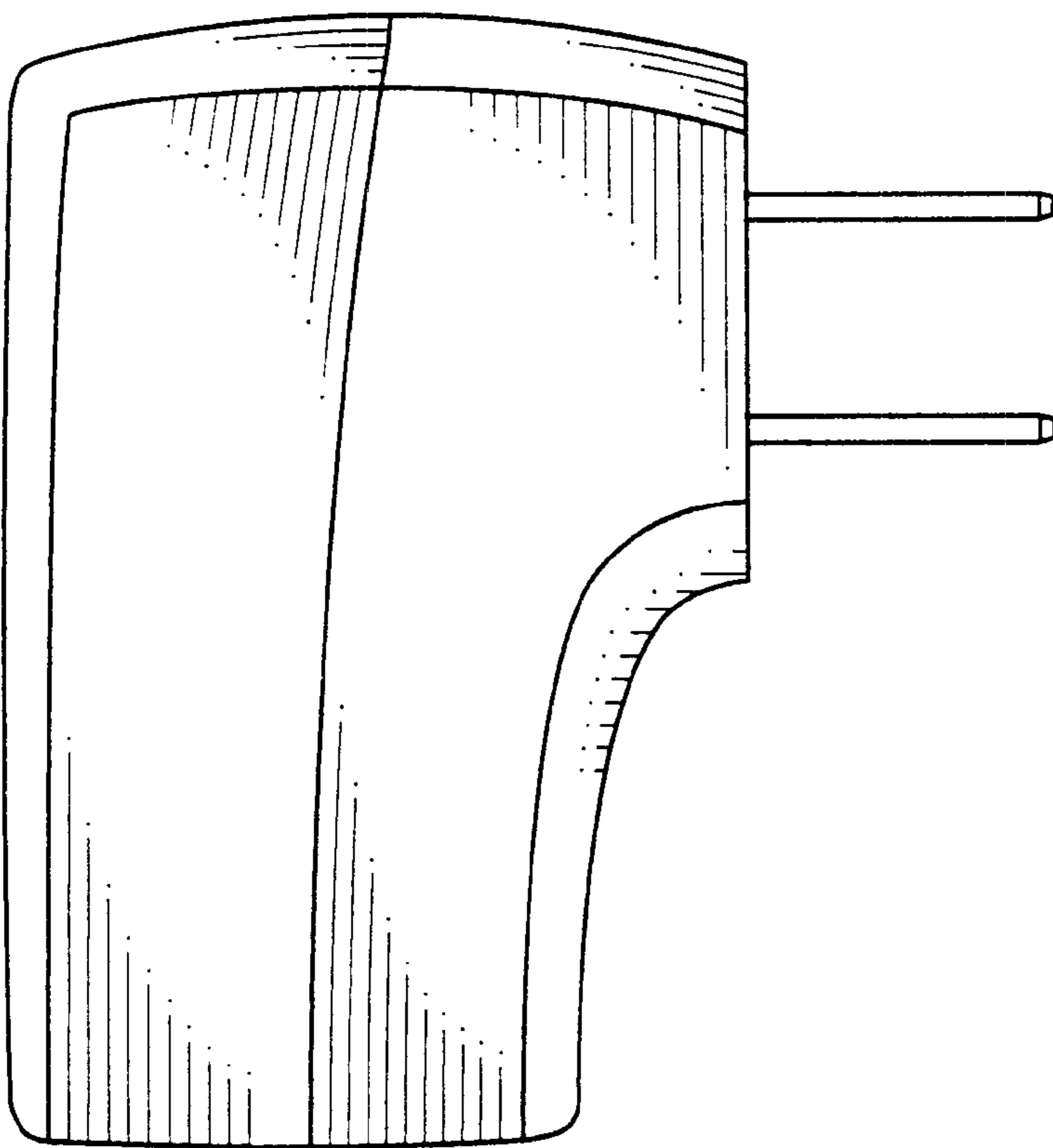


Fig. 6

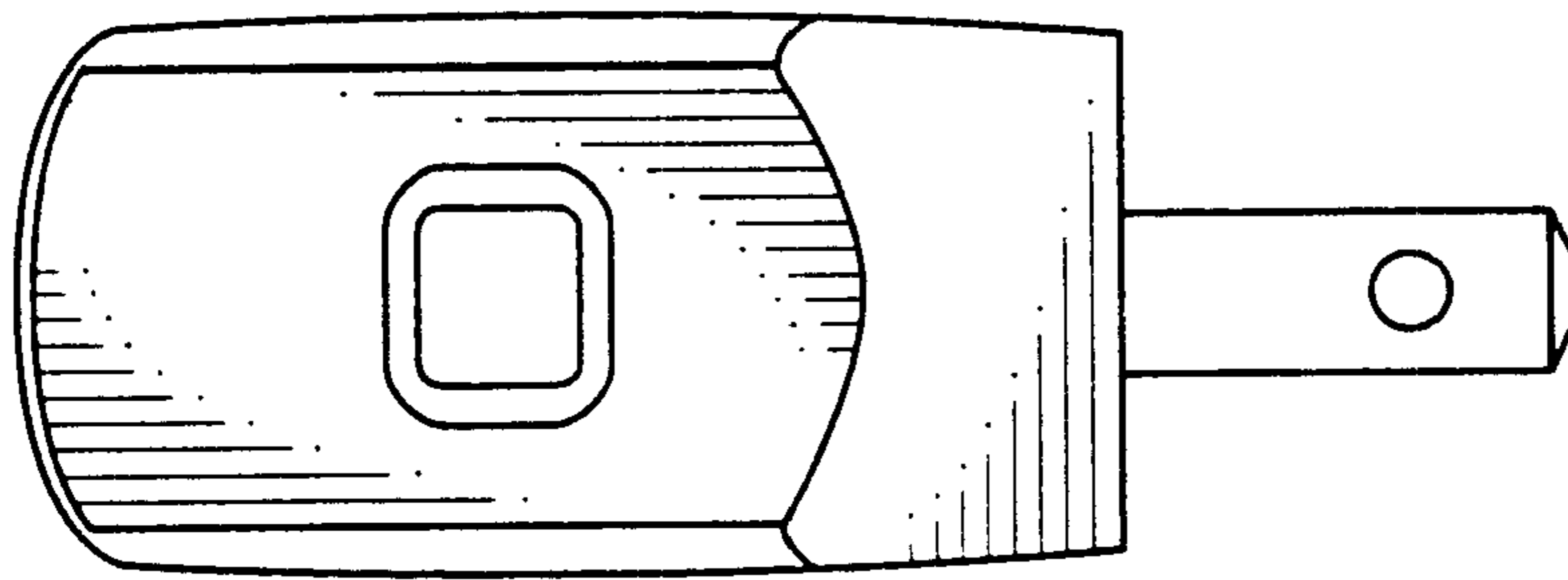


Fig. 7