



US00D486118S

(12) **United States Design Patent**
Rypinski

(10) **Patent No.:** **US D486,118 S**

(45) **Date of Patent:** **** Feb. 3, 2004**

(54) **COACHING BOAT**

(76) Inventor: **Donald F. Rypinski**, 2305 Redlands Dr., Newport Beach, CA (US) 92660

(**) Term: **14 Years**

(21) Appl. No.: **29/173,948**

(22) Filed: **Jan. 9, 2003**

(51) **LOC (7) Cl.** **12-06**

(52) **U.S. Cl.** **D12/300**

(58) **Field of Search** **D12/300-317;**
114/61.1, 61.17

(56) **References Cited**

U.S. PATENT DOCUMENTS

4,883,012 A * 11/1989 Kennedy 114/61.1

5,117,774 A * 6/1992 English et al. 114/66

* cited by examiner

Primary Examiner—Lisa Lichtenstein

(74) *Attorney, Agent, or Firm*—Walter A. Hackler

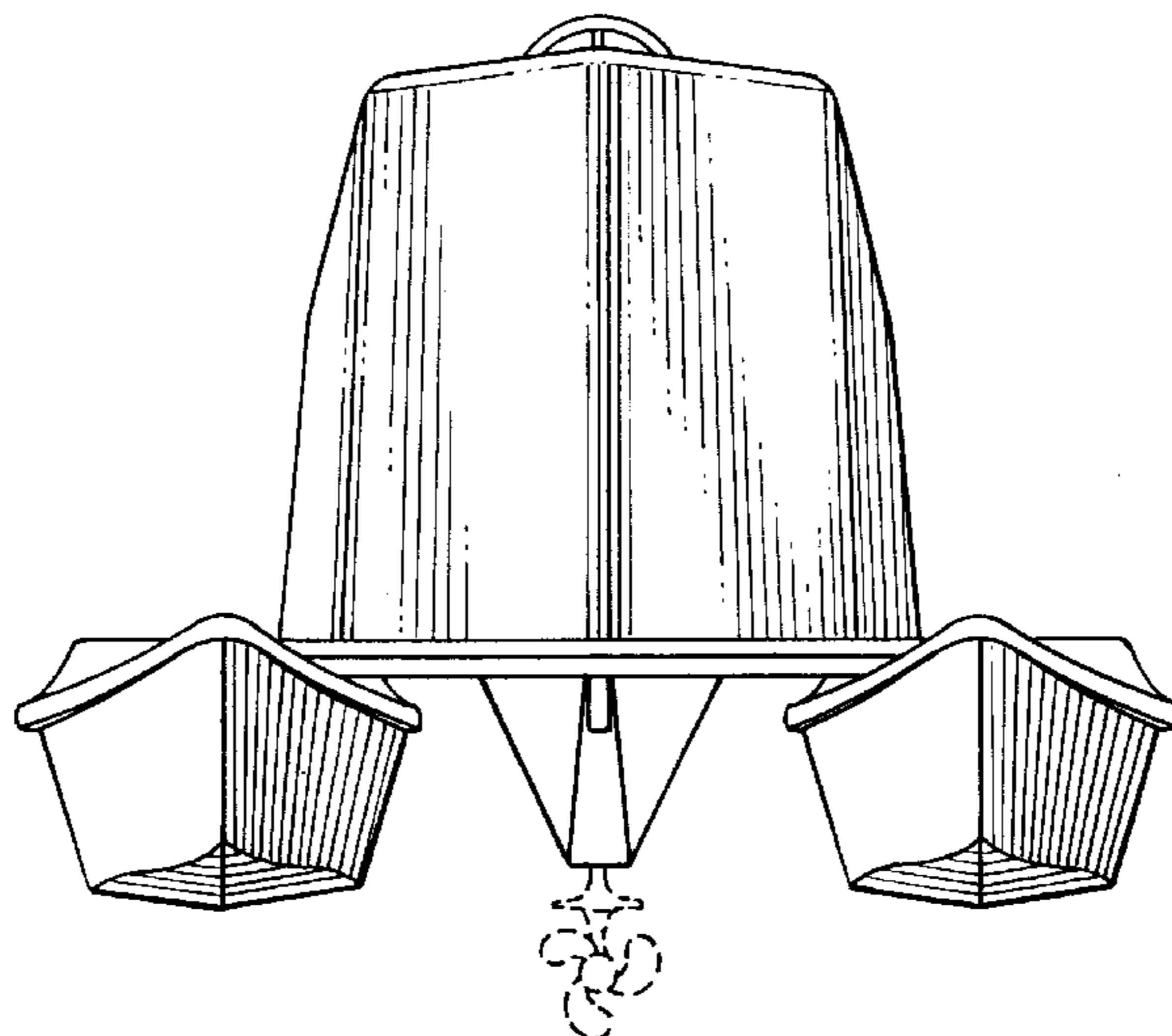
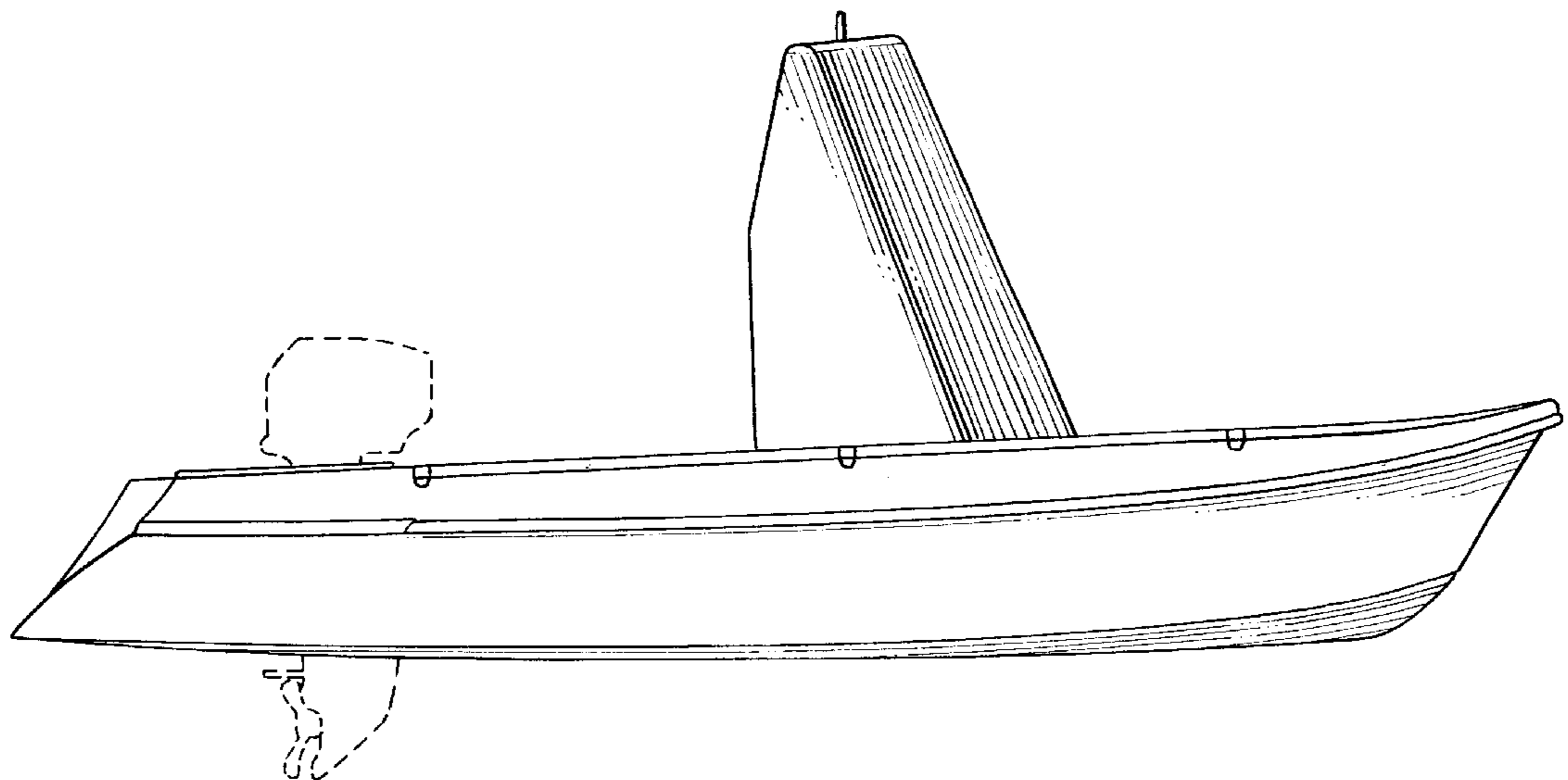
(57) **CLAIM**

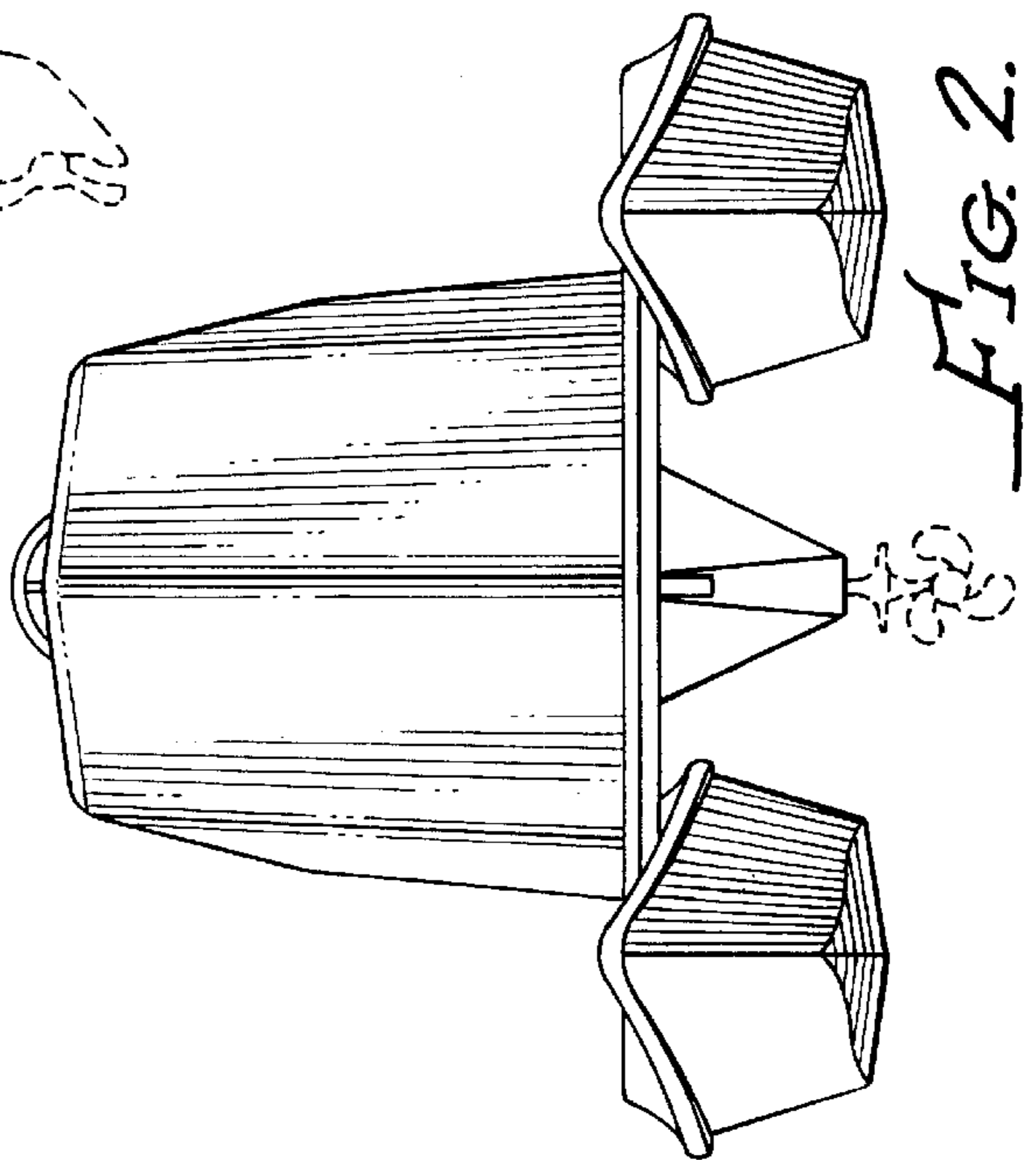
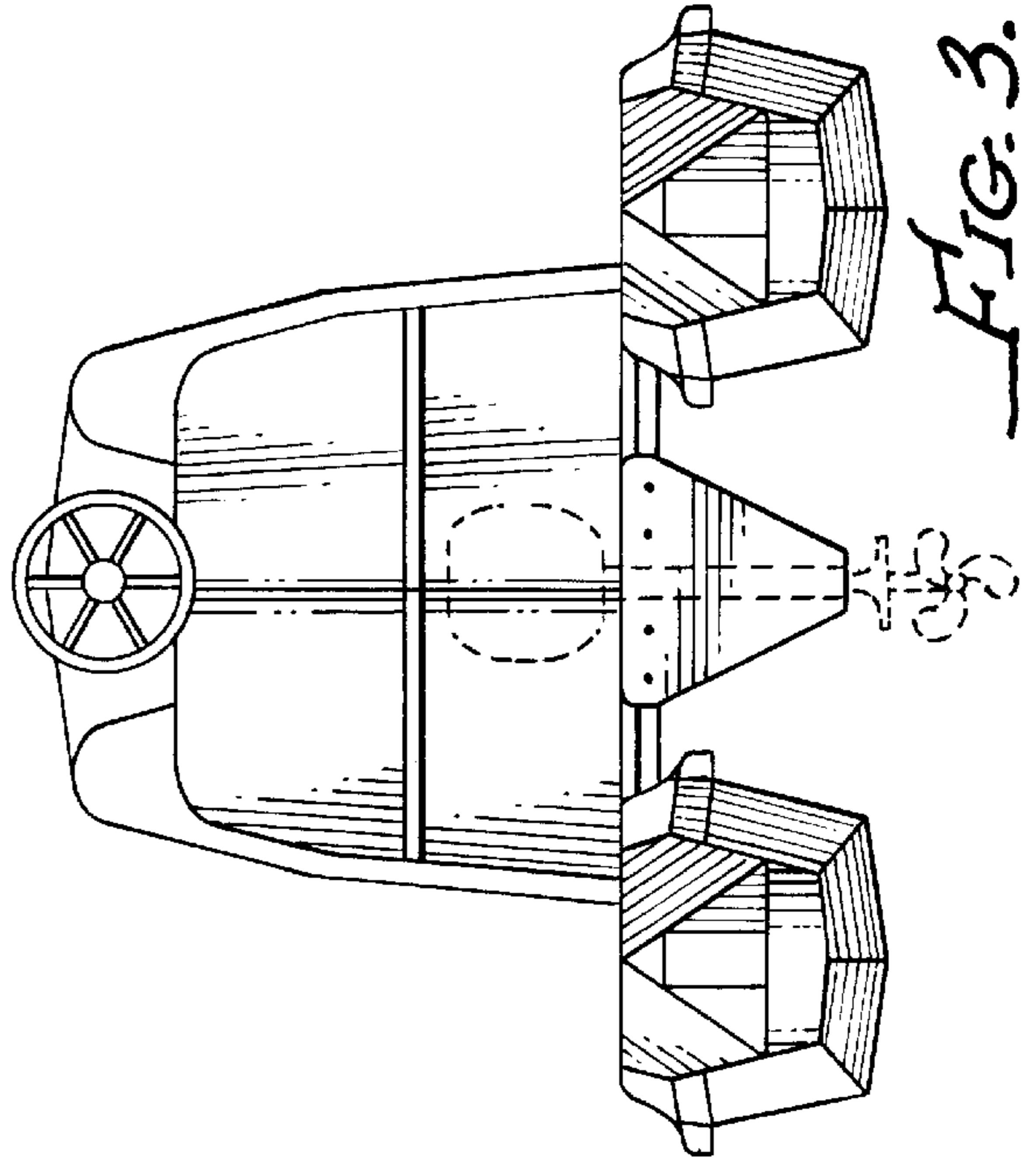
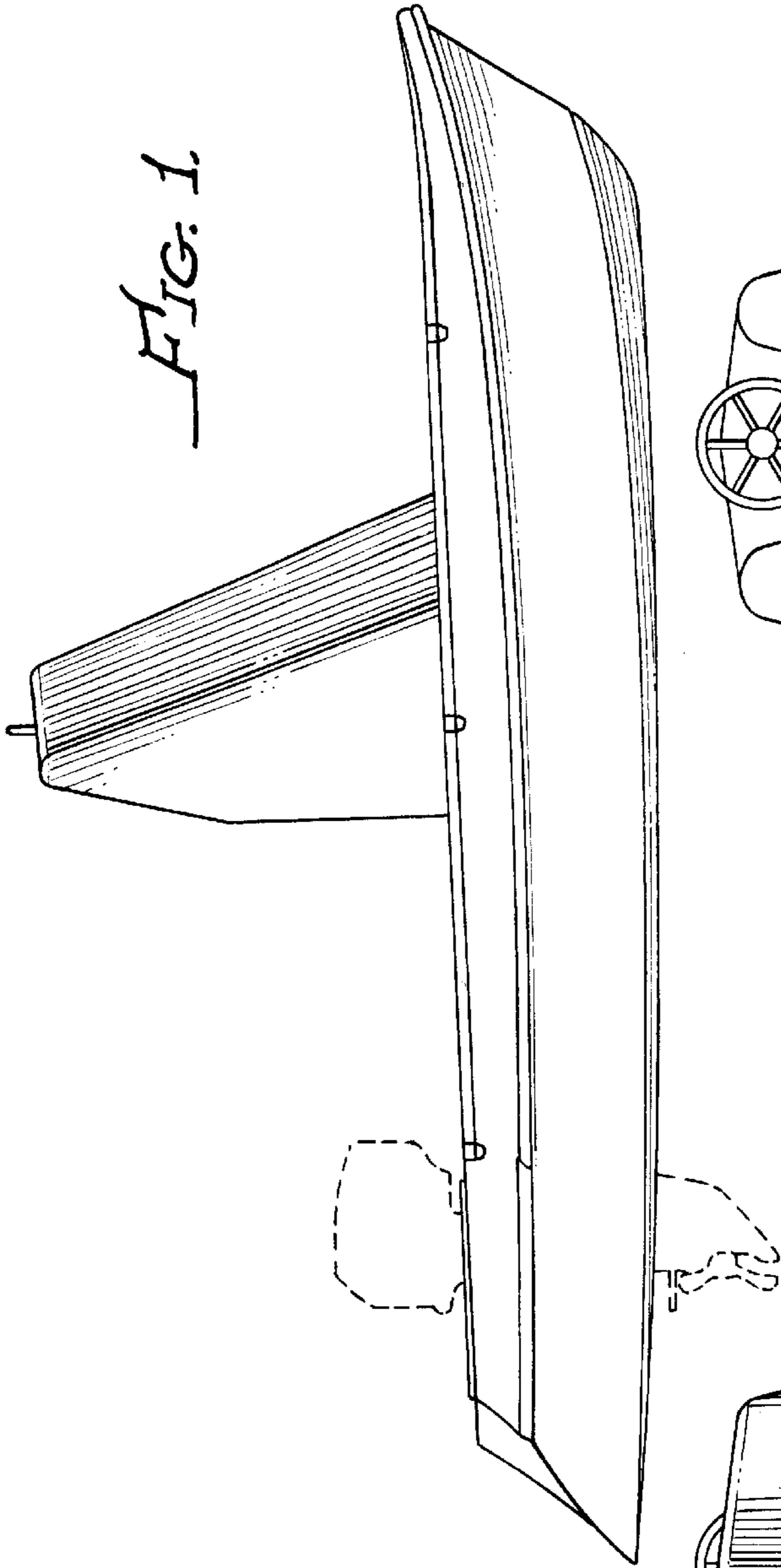
The ornamental design for a coaching boat, as shown and described.

DESCRIPTION

FIG. 1 is a side view of the present invention;
FIG. 2 is a front view of the present invention;
FIG. 3 is a rear view of the present invention;
FIG. 4 is a top plan view of the present invention; and,
FIG. 5 is a bottom plan view of the present invention.

1 Claim, 3 Drawing Sheets





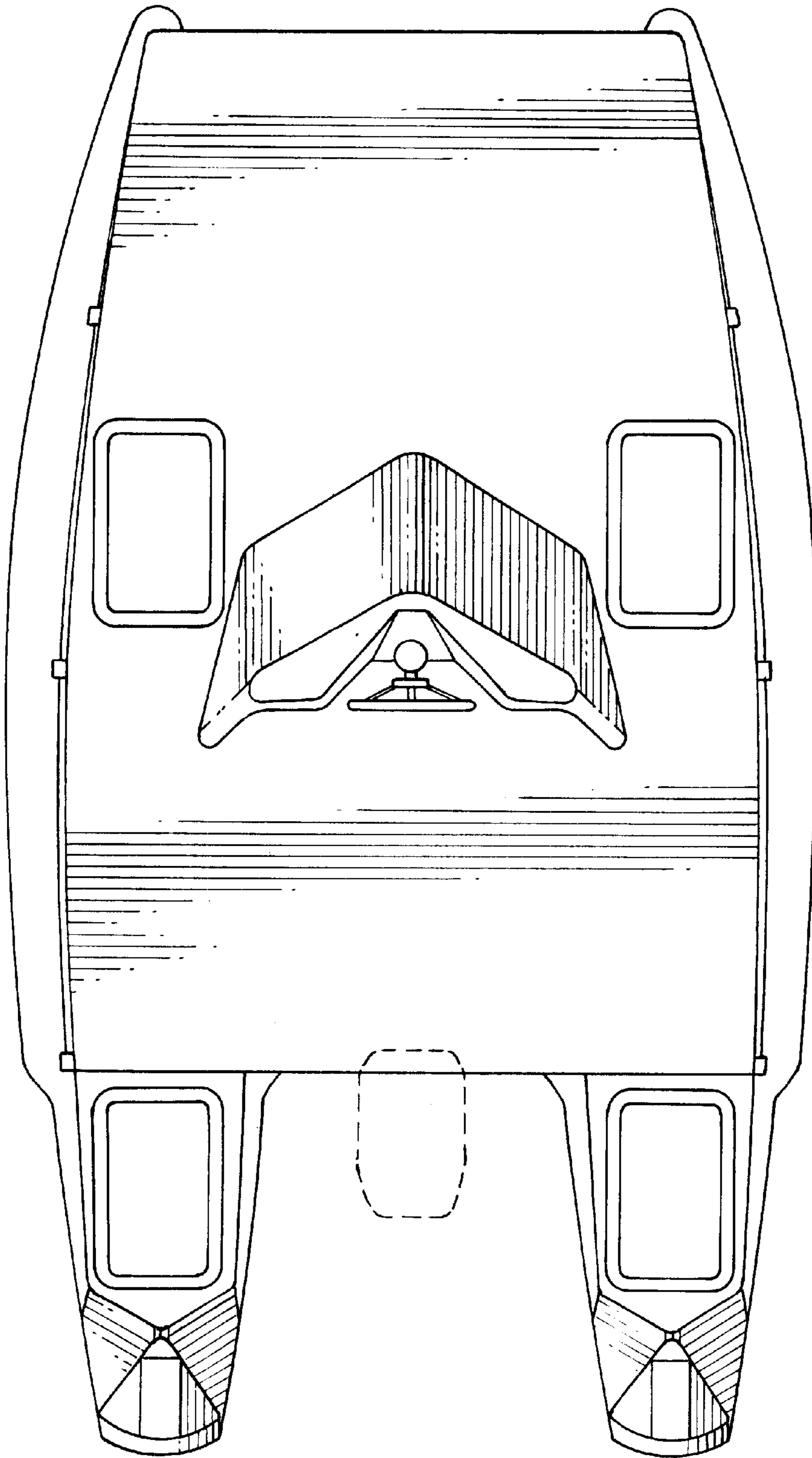


FIG. 4.

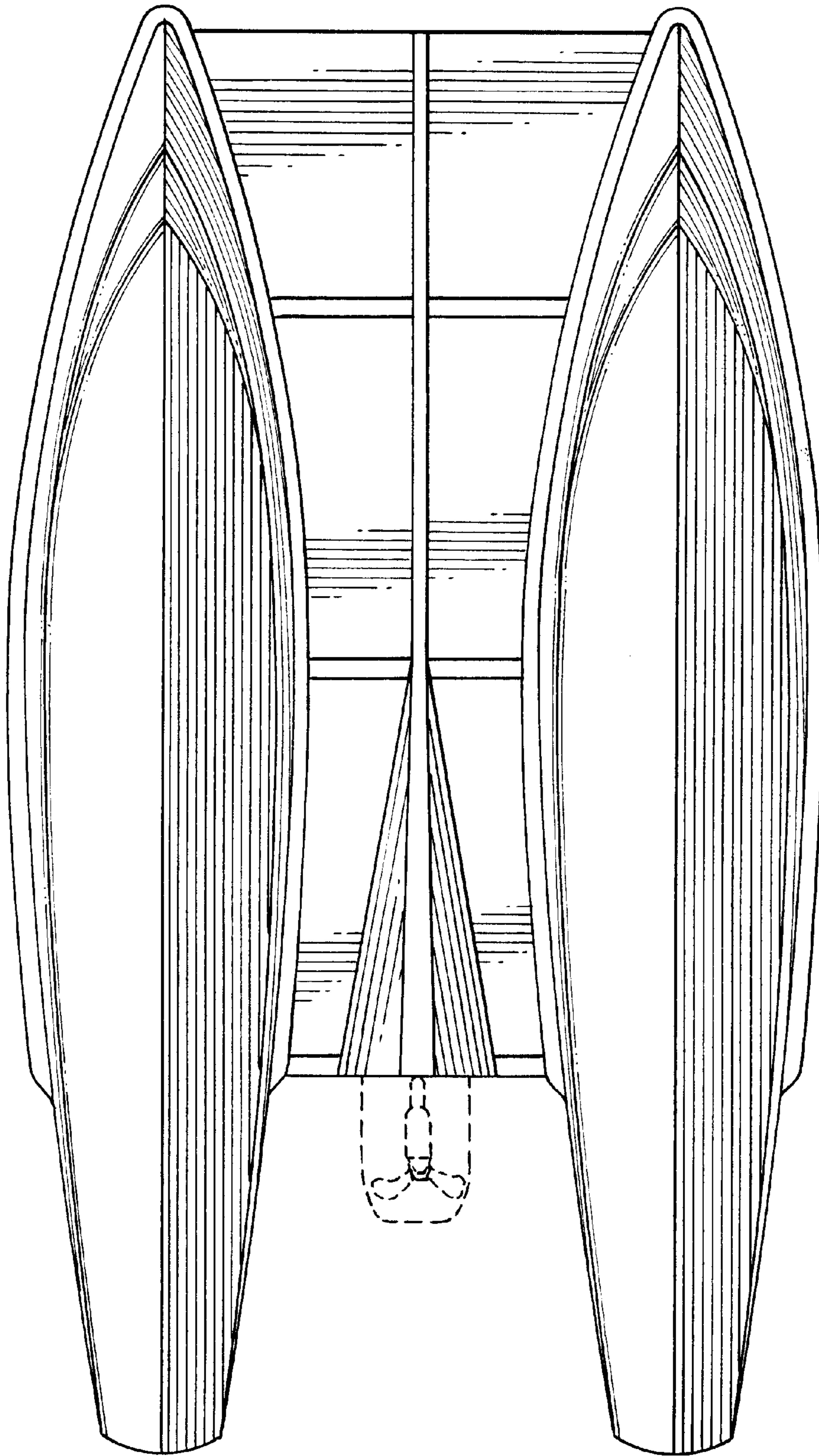


FIG. 5.