



US00D486113S

(12) **United States Design Patent**  
**Lecher et al.**

(10) **Patent No.:** **US D486,113 S**

(45) **Date of Patent:** **\*\* Feb. 3, 2004**

(54) **FRONT FACE OF A VEHICLE WHEEL**

(75) Inventors: **Franz Lecher**, Sindelfingen (DE);  
**Michael Plessing**, Renningen (DE)

(73) Assignee: **DaimlerChrysler AG**, Stuttgart (DE)

(\*\*) Term: **14 Years**

(21) Appl. No.: **29/166,863**

(22) Filed: **Sep. 6, 2002**

(30) **Foreign Application Priority Data**

Mar. 8, 2002 (DE) ..... 402 02 083

(51) **LOC (7) Cl.** ..... **12-16**

(52) **U.S. Cl.** ..... **D12/211**

(58) **Field of Search** ..... D12/204-211;  
301/37.101, 64.101, 65

(56) **References Cited**

**U.S. PATENT DOCUMENTS**

D336,886 S	*	6/1993	Mikawa	.....	D12/211
D368,884 S	*	4/1996	Cole	.....	D12/209
D392,237 S	*	3/1998	Kelley	.....	D12/209
D407,057 S	*	3/1999	Goplen	.....	D12/211
D408,774 S	*	4/1999	Nishida	.....	D12/209
D423,441 S	*	4/2000	Bildhaeuser	.....	D12/209
D452,840 S	*	1/2002	Hall	.....	D12/211

D453,133 S	*	1/2002	Murkett et al.	.....	D12/209
D456,335 S	*	4/2002	Chung	.....	D12/211
D460,728 S	*	7/2002	Clarke	.....	D12/209
D465,758 S	*	11/2002	Plessing	.....	D12/211
D466,459 S	*	12/2002	Murkett et al.	.....	D12/209
D466,850 S	*	12/2002	Cullen	.....	D12/211

\* cited by examiner

*Primary Examiner*—Stacia Cadmus

(74) *Attorney, Agent, or Firm*—Crowell & Moring LLP

(57) **CLAIM**

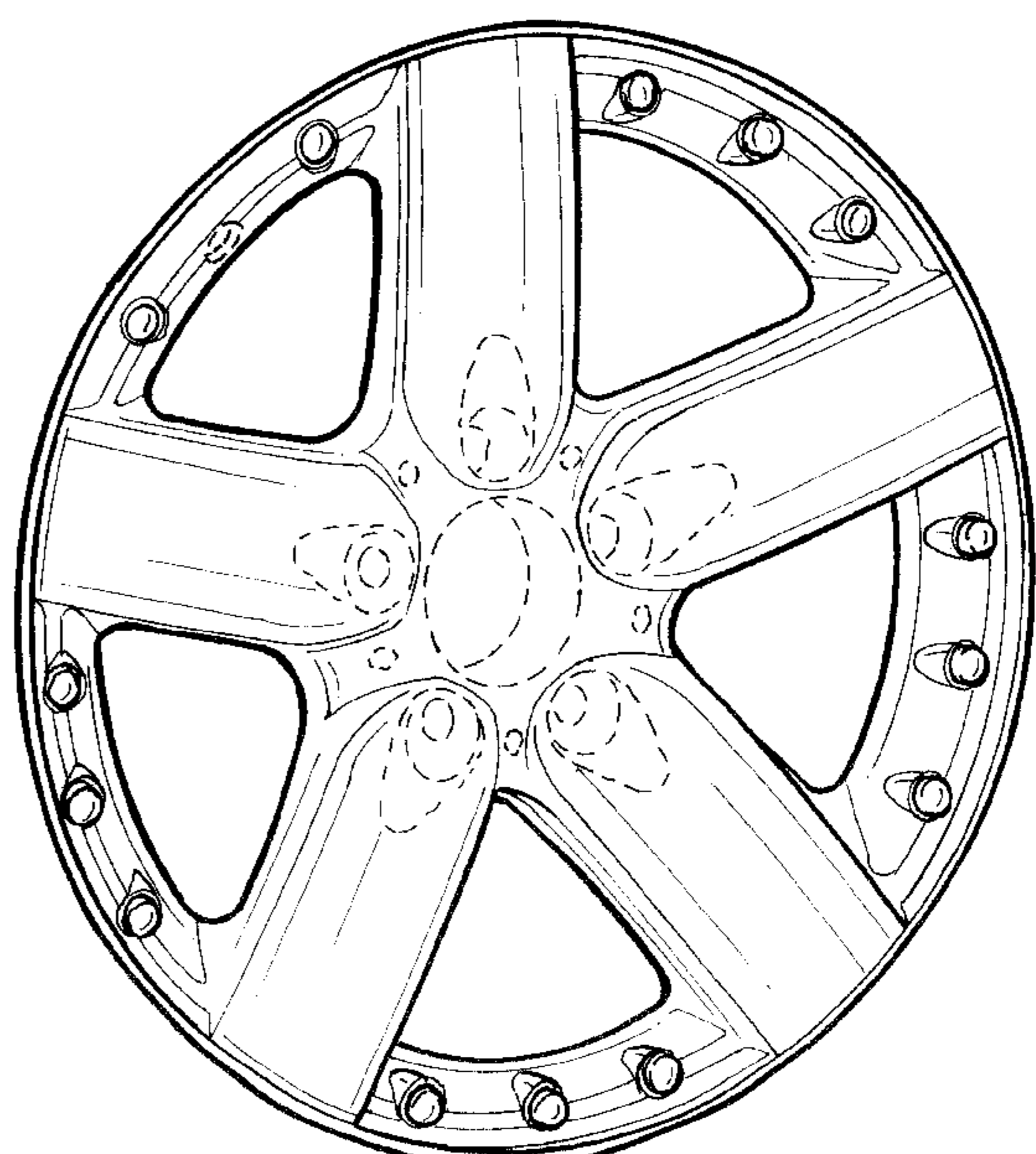
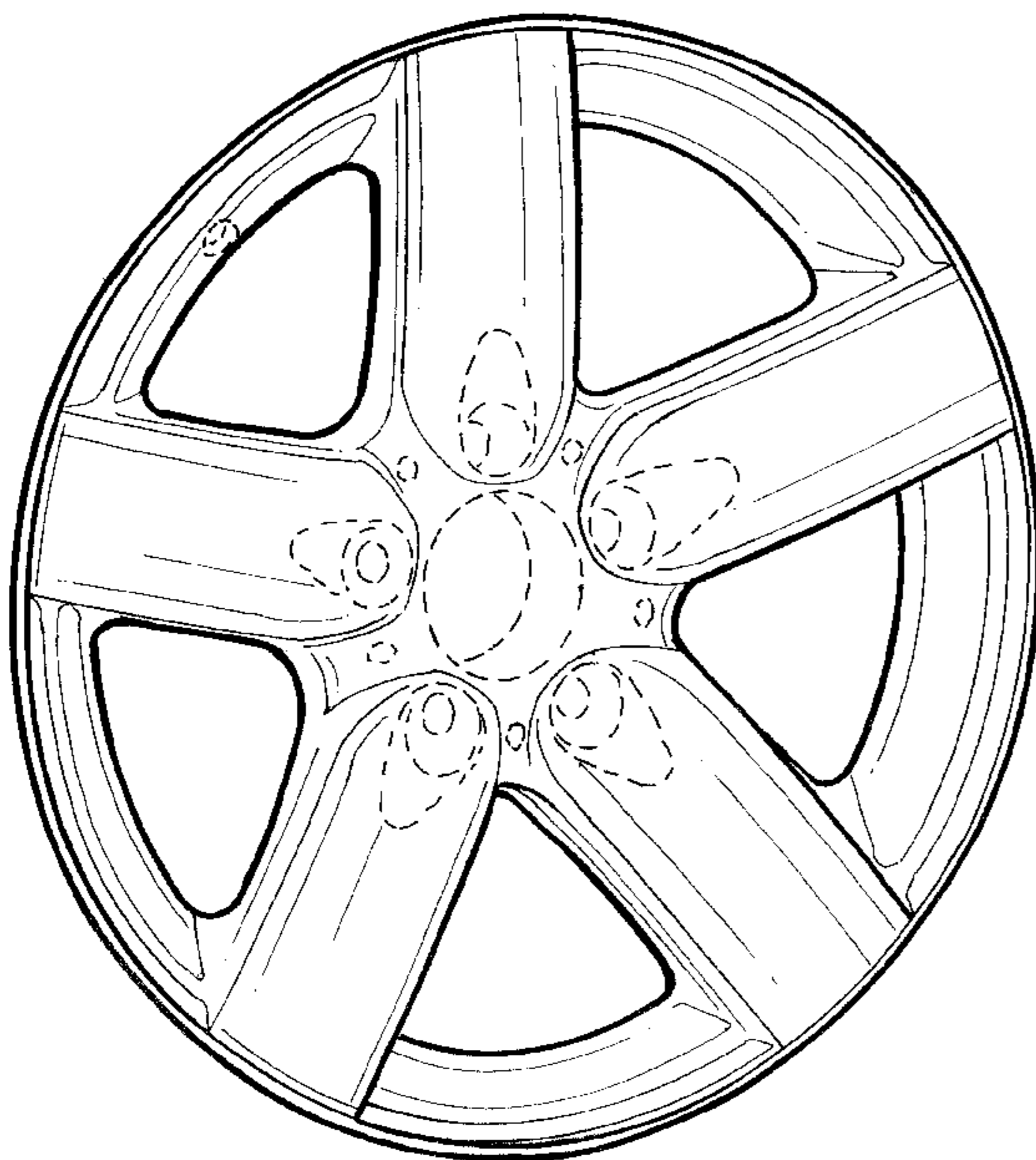
The ornamental design for a front face of a vehicle wheel, as shown and described.

**DESCRIPTION**

FIG. 1 is a front view of a first embodiment of a front face of a vehicle wheel according to our novel design;  
FIG. 2 is a perspective view of the first embodiment of the front face of a vehicle wheel according to our novel design;  
FIG. 3 is a front view of a second embodiment of the front face of a vehicle wheel according to our novel design; and,  
FIG. 4 is a perspective view of the second embodiment of the front face of a vehicle wheel according to our novel design.

The dash lines included depict environment and are not part of the claimed design.

**1 Claim, 2 Drawing Sheets**



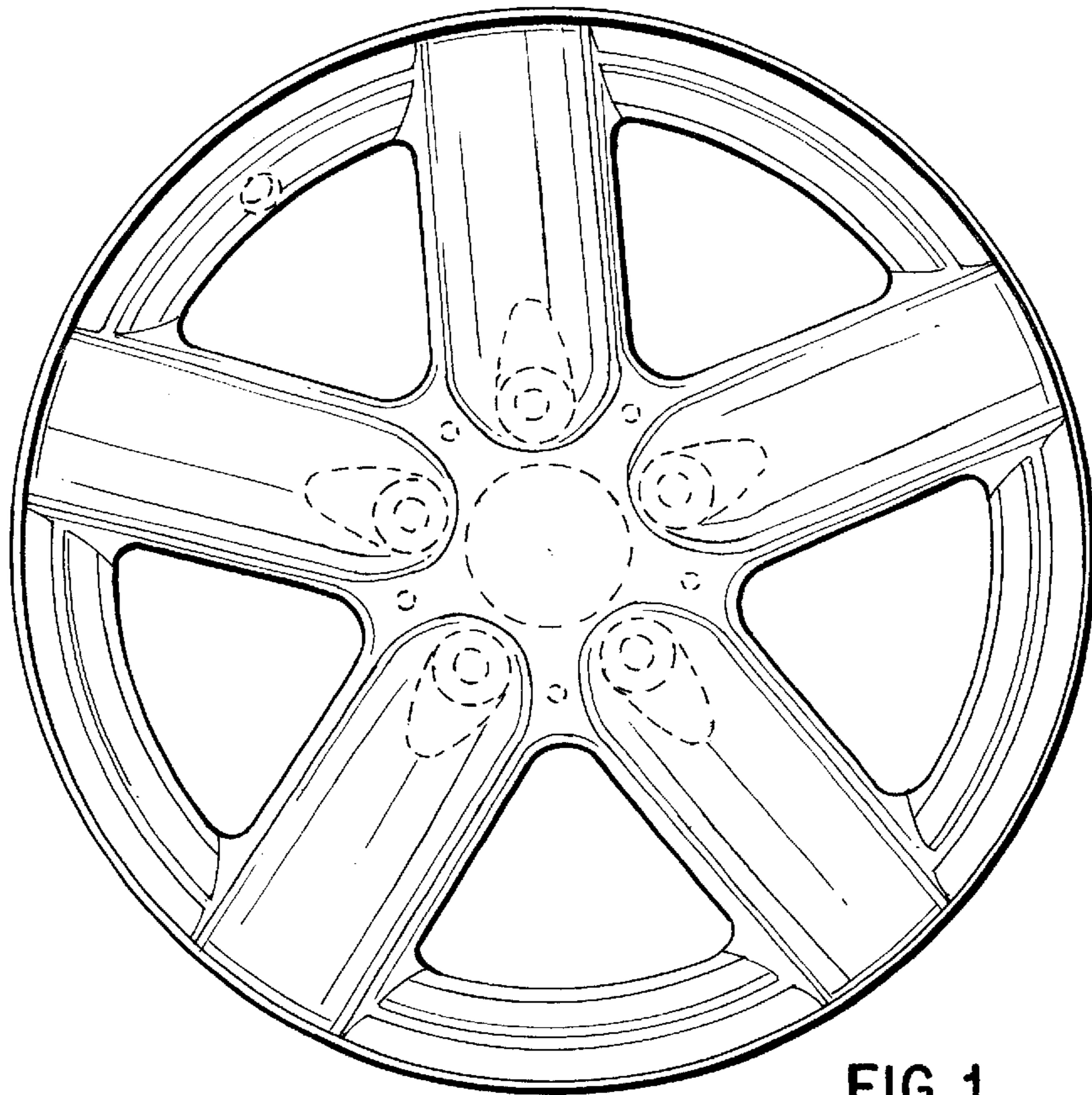


FIG. 1

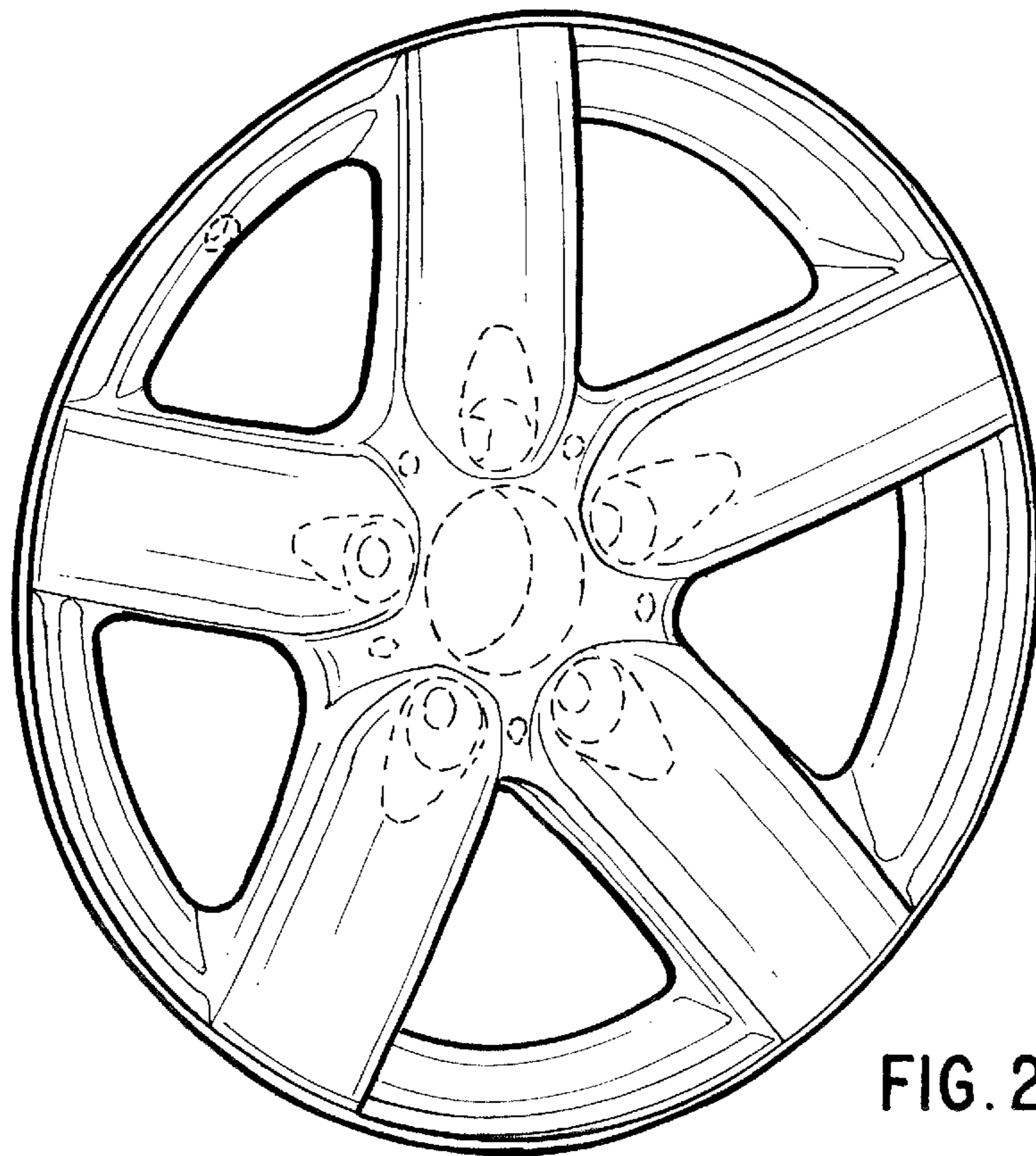


FIG. 2



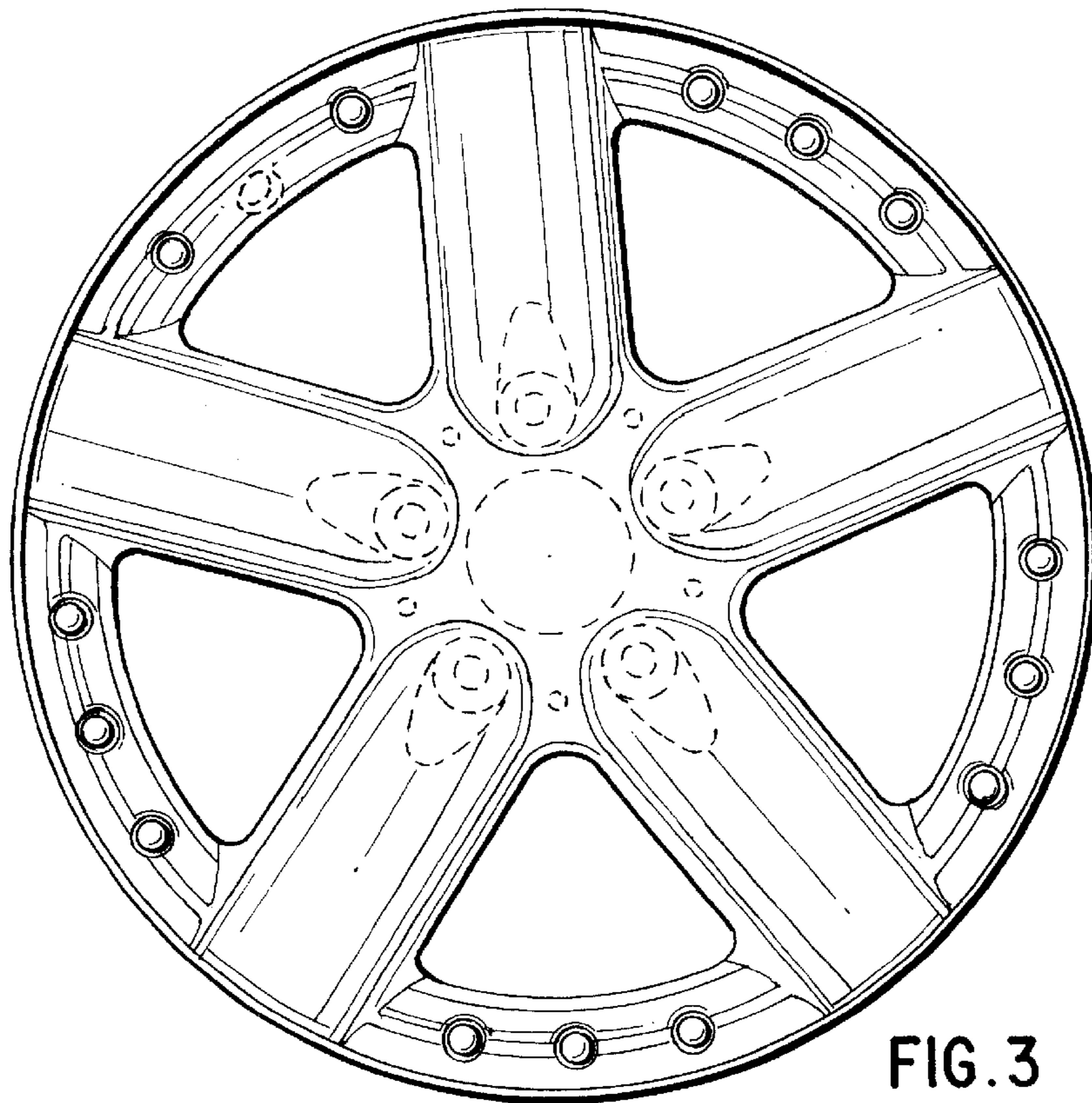


FIG. 3

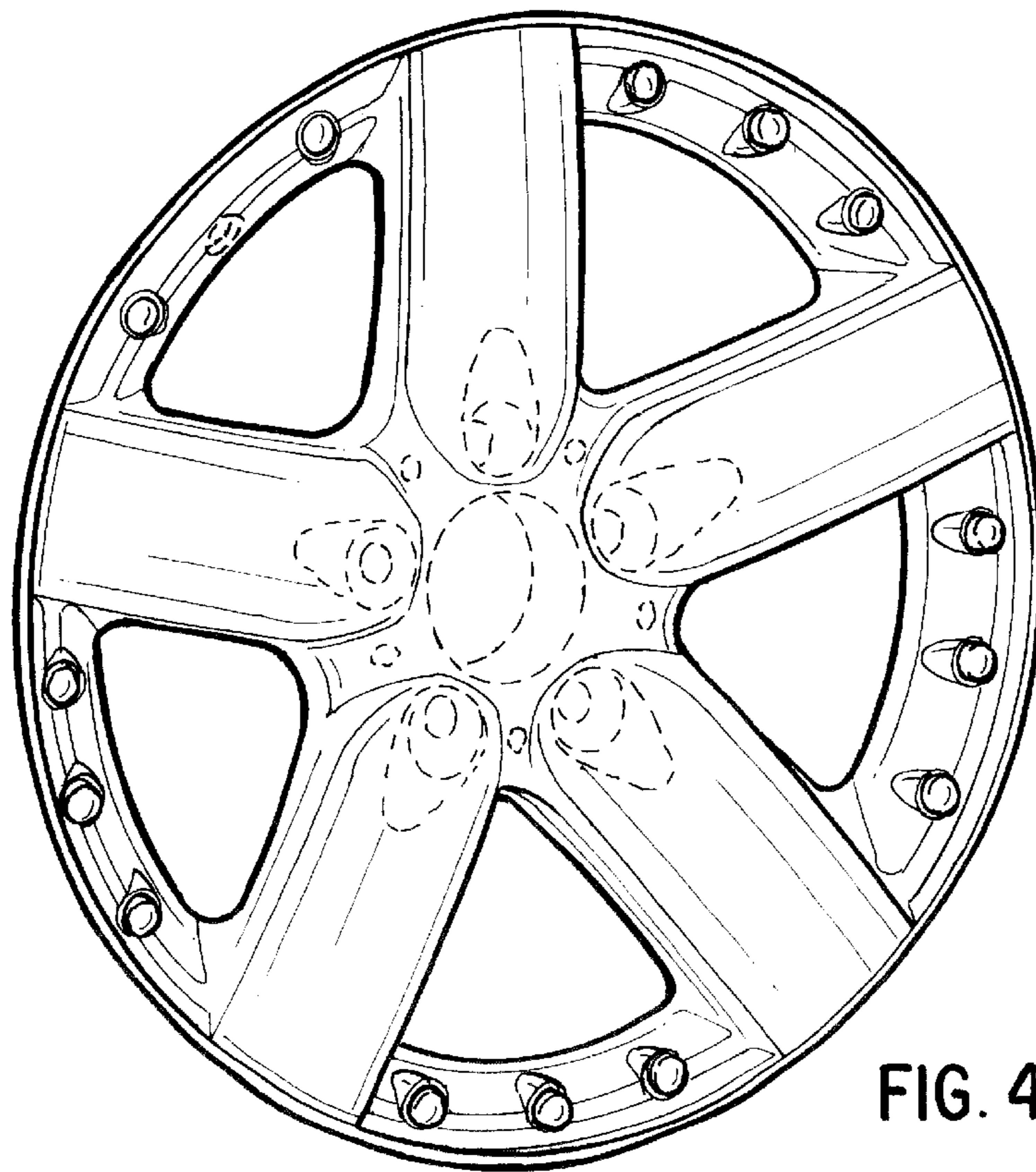


FIG. 4