



US00D486111S

(12) **United States Design Patent**
Weidhase

(10) **Patent No.:** **US D486,111 S**

(45) **Date of Patent:** **** Feb. 3, 2004**

(54) **FRONT FACE OF A VEHICLE WHEEL**

(75) **Inventor:** **Ulf Weidhase, Eching (DE)**

(73) **Assignee:** **Bayerische Motoren Werke
Aktiengesellschaft, Munich (DE)**

(**) **Term:** **14 Years**

| | | | | |
|------------|---|---------|--------------------|---------|
| D438,503 S | * | 3/2001 | Syring | D12/211 |
| D451,067 S | * | 11/2001 | Frizzi | D12/211 |
| D451,877 S | * | 12/2001 | Lee | D12/211 |
| D460,733 S | * | 7/2002 | Bintoro | D12/211 |
| D460,942 S | * | 7/2002 | Lee | D12/211 |
| D470,094 S | * | 2/2003 | Van Hooydonk | D12/211 |
| D470,448 S | * | 2/2003 | Kataoka | D12/211 |
| D474,440 S | * | 5/2003 | Oh | D12/211 |

(21) **Appl. No.:** **29/156,547**

(22) **Filed:** **Mar. 5, 2002**

(30) **Foreign Application Priority Data**

Sep. 5, 2001 (DE) 4 01 07 972

(51) **LOC (7) Cl.** **12-16**

(52) **U.S. Cl.** **D12/211**

(58) **Field of Search** D12/204-211;
301/37.101, 64.101, 65

(56) **References Cited**

U.S. PATENT DOCUMENTS

| | | | | |
|------------|---|---------|--------------------|---------|
| D368,464 S | * | 4/1996 | Morley et al. | D12/209 |
| D409,132 S | * | 5/1999 | Cullen | D12/211 |
| D410,426 S | * | 6/1999 | Frizzi | D12/211 |
| D416,849 S | * | 11/1999 | Weidhase | D12/211 |
| D421,417 S | * | 3/2000 | Weidhase | D12/209 |
| D428,379 S | * | 7/2000 | Donikoglu | D12/211 |
| D432,974 S | * | 10/2000 | Jablonski | D12/211 |
| D438,162 S | * | 2/2001 | Syring | D12/211 |

FOREIGN PATENT DOCUMENTS

| | | |
|----|-----------|--------|
| WO | DM/050497 | 3/2000 |
| WO | DM/051076 | 5/2000 |

* cited by examiner

Primary Examiner—Stacia Cadmus

(74) *Attorney, Agent, or Firm*—Crowell & Moring LLP

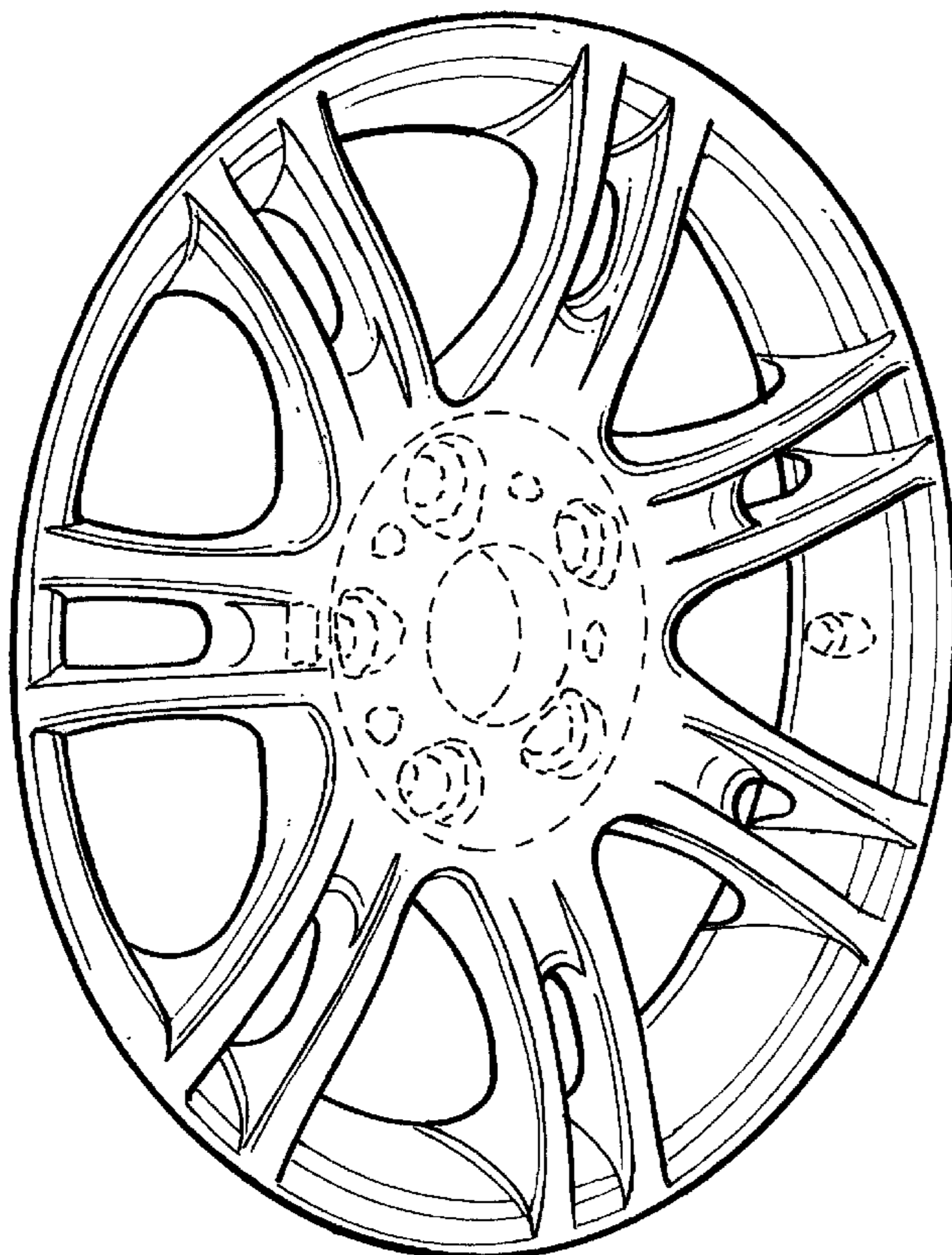
(57) **CLAIM**

The ornamental design for a front face of a vehicle wheel, as shown and described.

DESCRIPTION

FIG. 1 is a front view of a front face of a vehicle wheel according to my novel design; and, FIG. 2 is a perspective view of the front face of a vehicle wheel according to my novel design. The dash lines included depict environment and are not part of the claimed design.

1 Claim, 1 Drawing Sheet



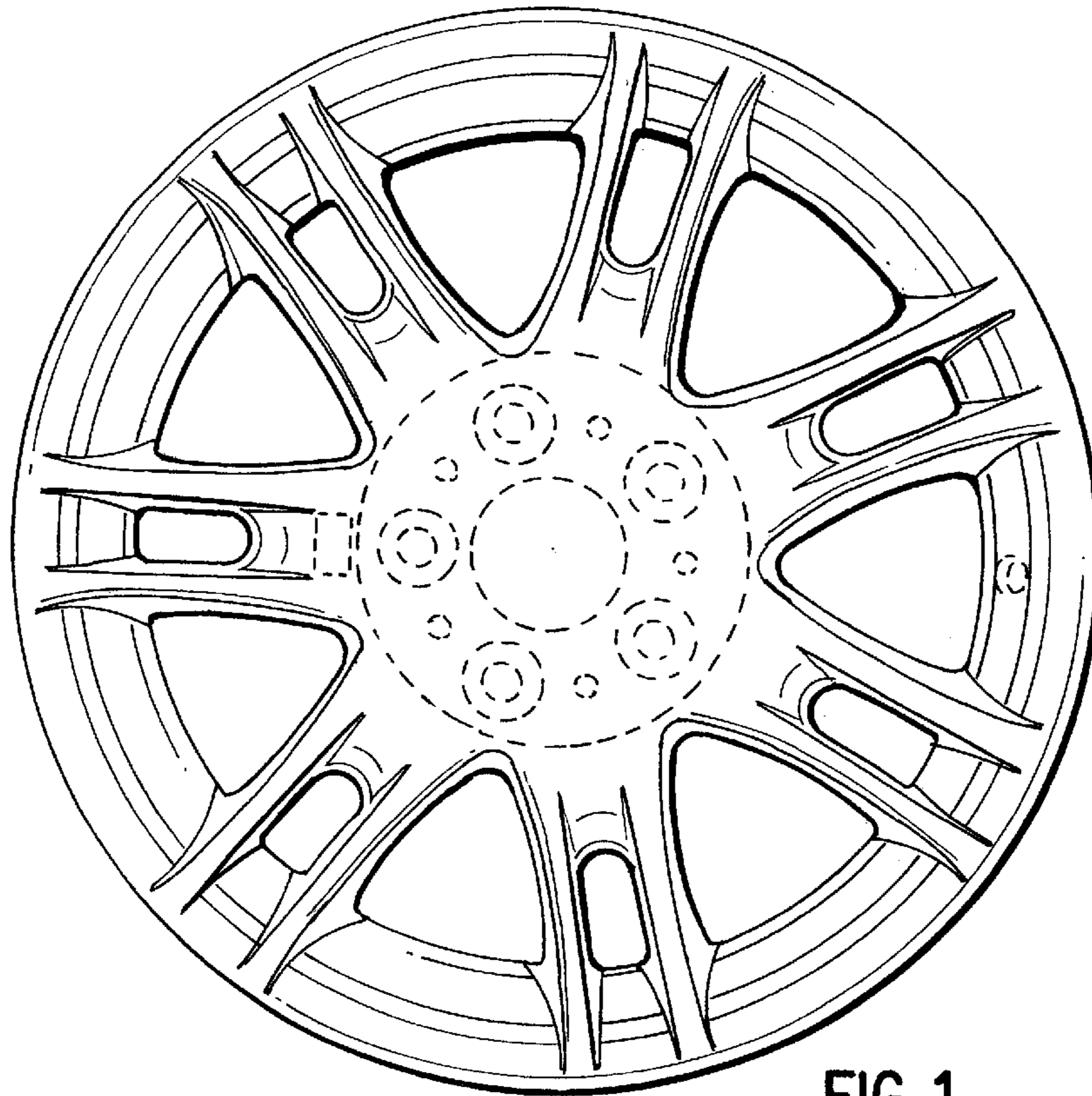


FIG. 1

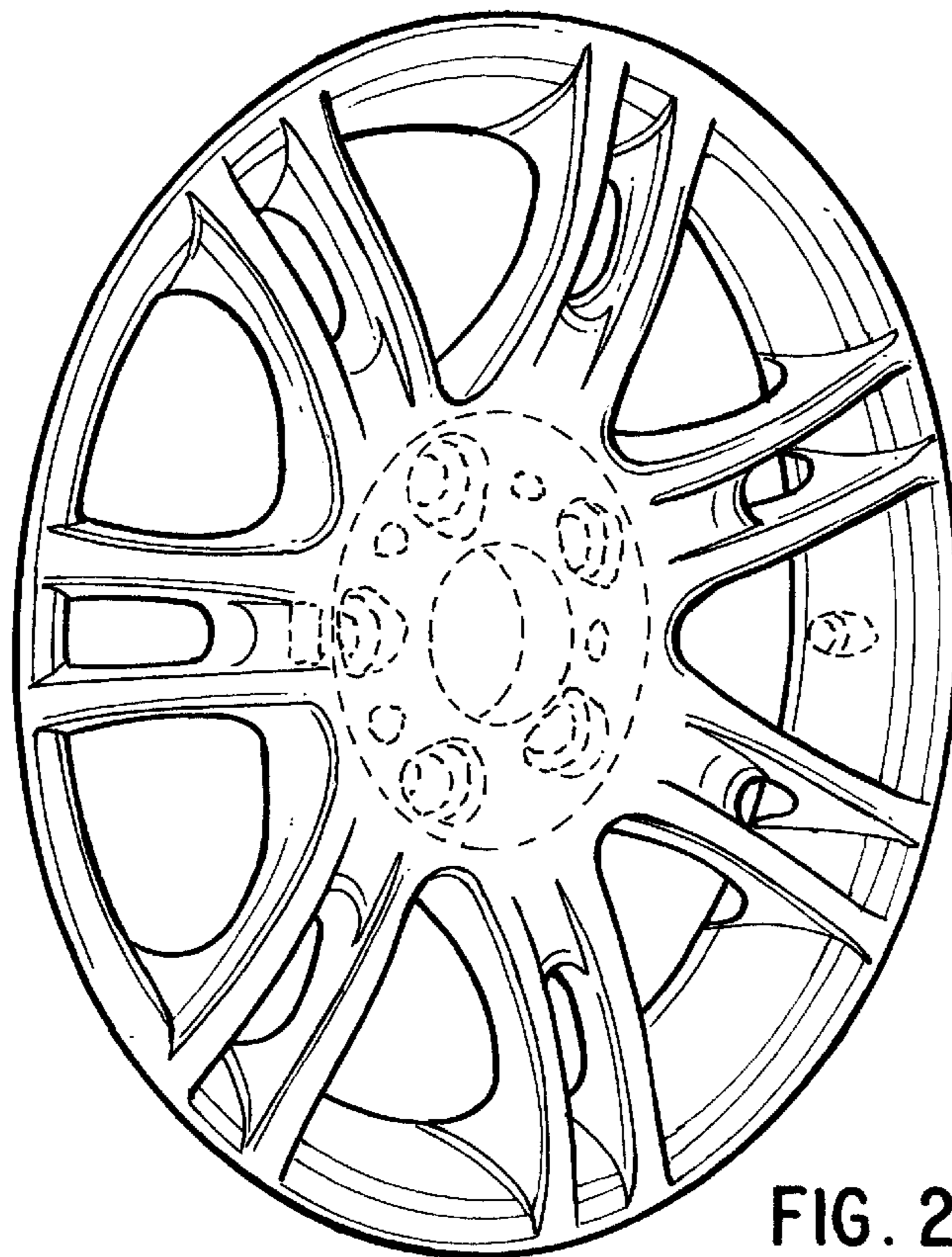


FIG. 2