



US00D486110S

(12) **United States Design Patent**  
**Elmitt**

(10) **Patent No.:** **US D486,110 S**

(45) **Date of Patent:** **\*\* Feb. 3, 2004**

(54) **FRONT FACE OF A VEHICLE WHEEL**

(75) **Inventor:** **Karl Elmitt, Eching (DE)**

(73) **Assignee:** **Bayerische Motoren Werke  
Aktiengesellschaft, Munich (DE)**

(\*\*) **Term:** **14 Years**

(21) **Appl. No.:** **29/154,719**

(22) **Filed:** **Jan. 30, 2002**

(30) **Foreign Application Priority Data**

Jul. 30, 2001 (DE) ..... 4 01 06 965

(51) **LOC (7) Cl. .... 12-16**

(52) **U.S. Cl. .... D12/211**

(58) **Field of Search .... D12/204-211;  
301/37.101, 64.101, 65**

(56) **References Cited**

**U.S. PATENT DOCUMENTS**

- D215,652 S \* 10/1969 Griffith ..... D12/209
- D284,182 S \* 6/1986 Hedlund ..... D12/211
- D286,278 S \* 10/1986 Sandberg ..... D12/211
- D336,886 S \* 6/1993 Mikawa ..... D12/211
- D370,883 S \* 6/1996 Bhambra ..... D12/209
- D377,471 S \* 1/1997 Stach ..... D12/209
- D392,237 S \* 3/1998 Kelley ..... D12/209
- D403,648 S \* 1/1999 Feriero ..... D12/209

- D407,057 S \* 3/1999 Goplen ..... D12/211
- D421,590 S \* 3/2000 Sacco et al. .... D12/209
- D432,479 S \* 10/2000 Lee et al. .... D12/209
- D436,912 S \* 1/2001 Boyer ..... D12/211
- D450,026 S \* 11/2001 Donikoglu ..... D12/209
- D451,466 S \* 12/2001 Fujii ..... D12/211
- D462,643 S \* 9/2002 Murkett et al. .... D12/211
- D466,852 S \* 12/2002 Pfeiffer et al. .... D12/211
- D467,856 S \* 12/2002 Pfeiffer ..... D12/209
- D470,093 S \* 2/2003 Frizzi ..... D12/209

**OTHER PUBLICATIONS**

Advertisement, Road & Track, No. 10, p. 113 (May 2001).

\* cited by examiner

*Primary Examiner*—Stacia Cadmus

(74) *Attorney, Agent, or Firm*—Crowell & Moring LLP

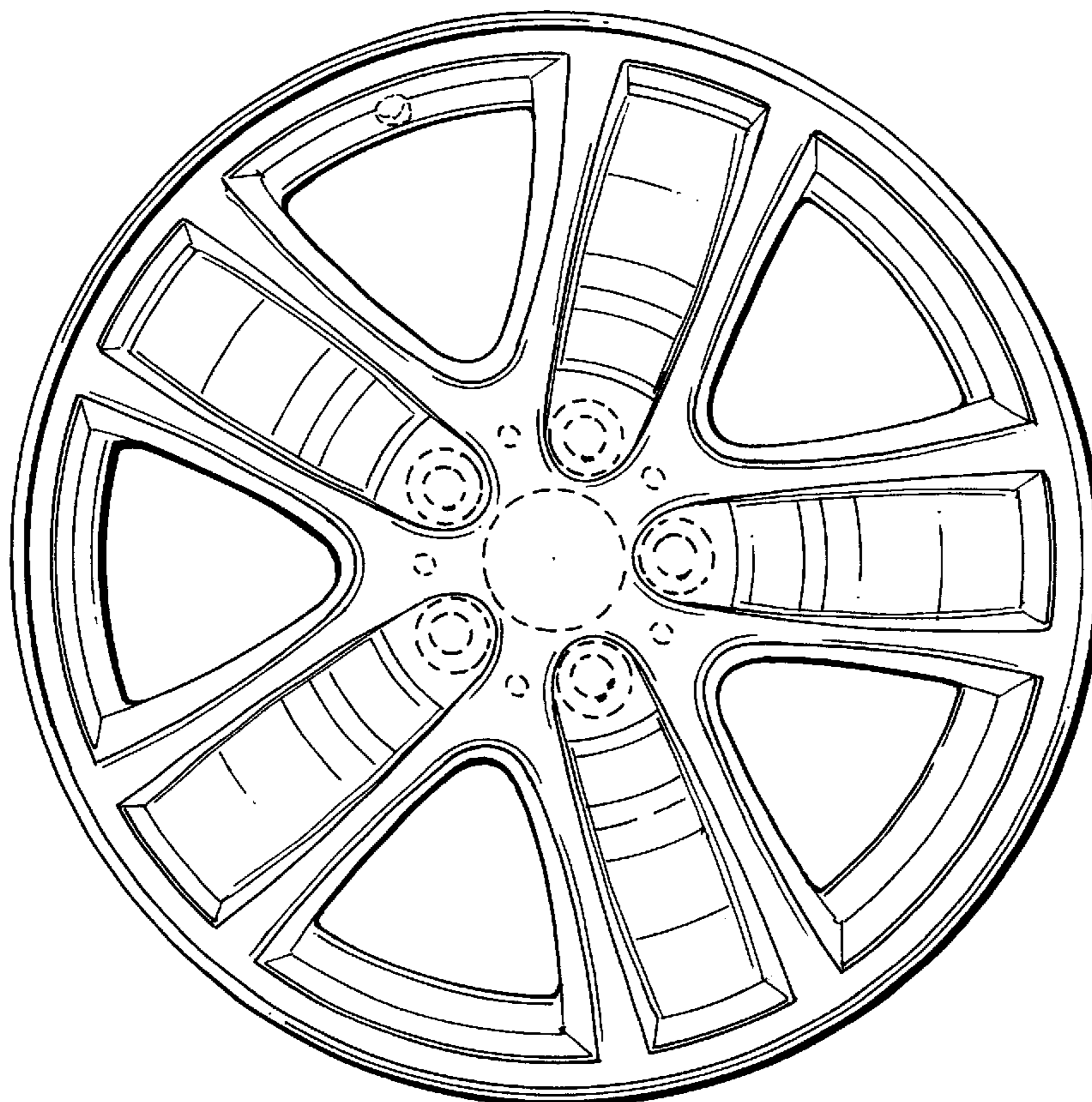
(57) **CLAIM**

The ornamental design for a front face of a vehicle wheel, as shown and described.

**DESCRIPTION**

FIG. 1 is a front view of a front face of a vehicle wheel according to my novel design; and, FIG. 2 is a perspective view of the front face of a vehicle wheel according to my novel design. The dash lines included depict environment and are not part of the claimed design.

**1 Claim, 1 Drawing Sheet**



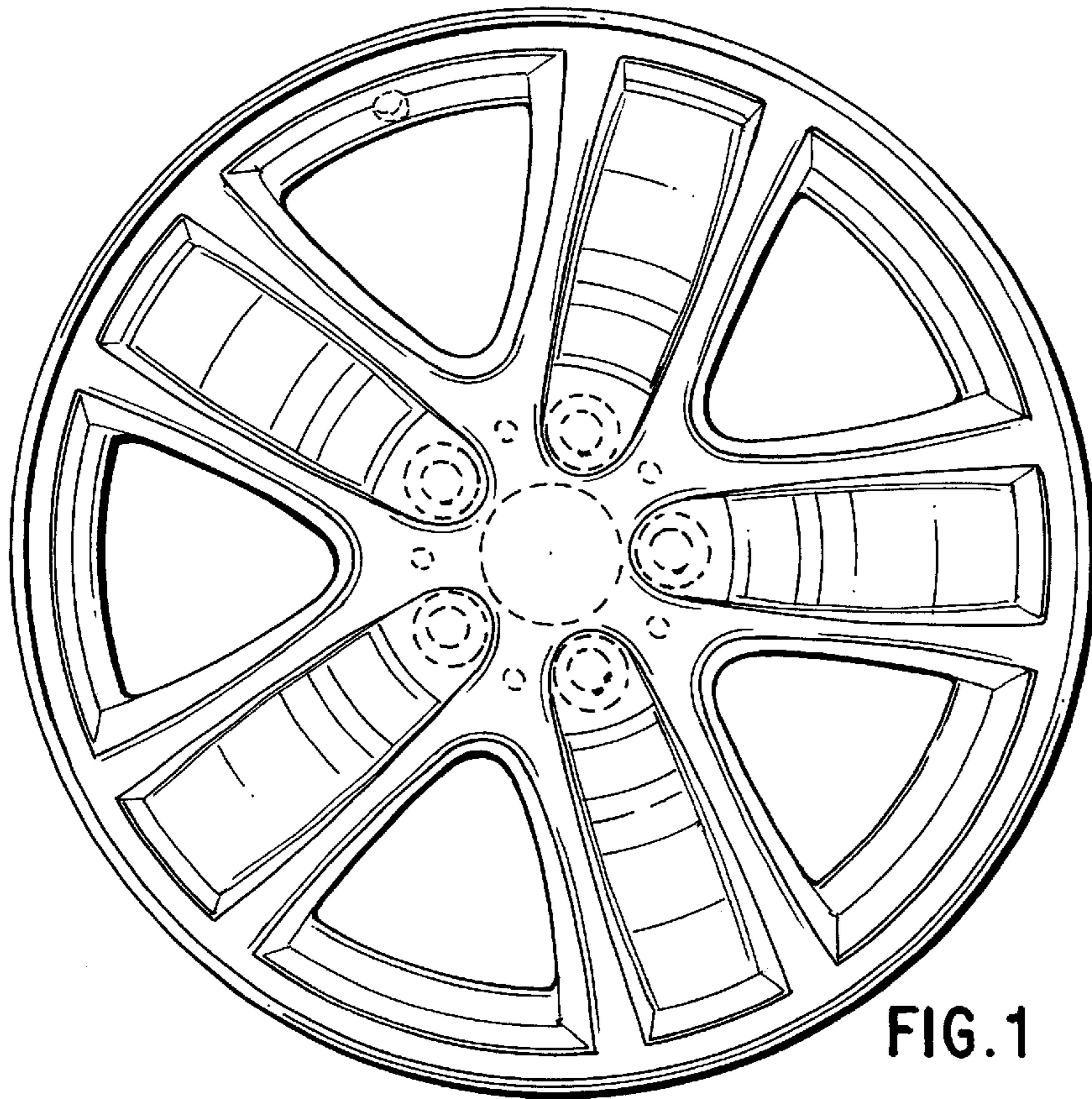


FIG. 1

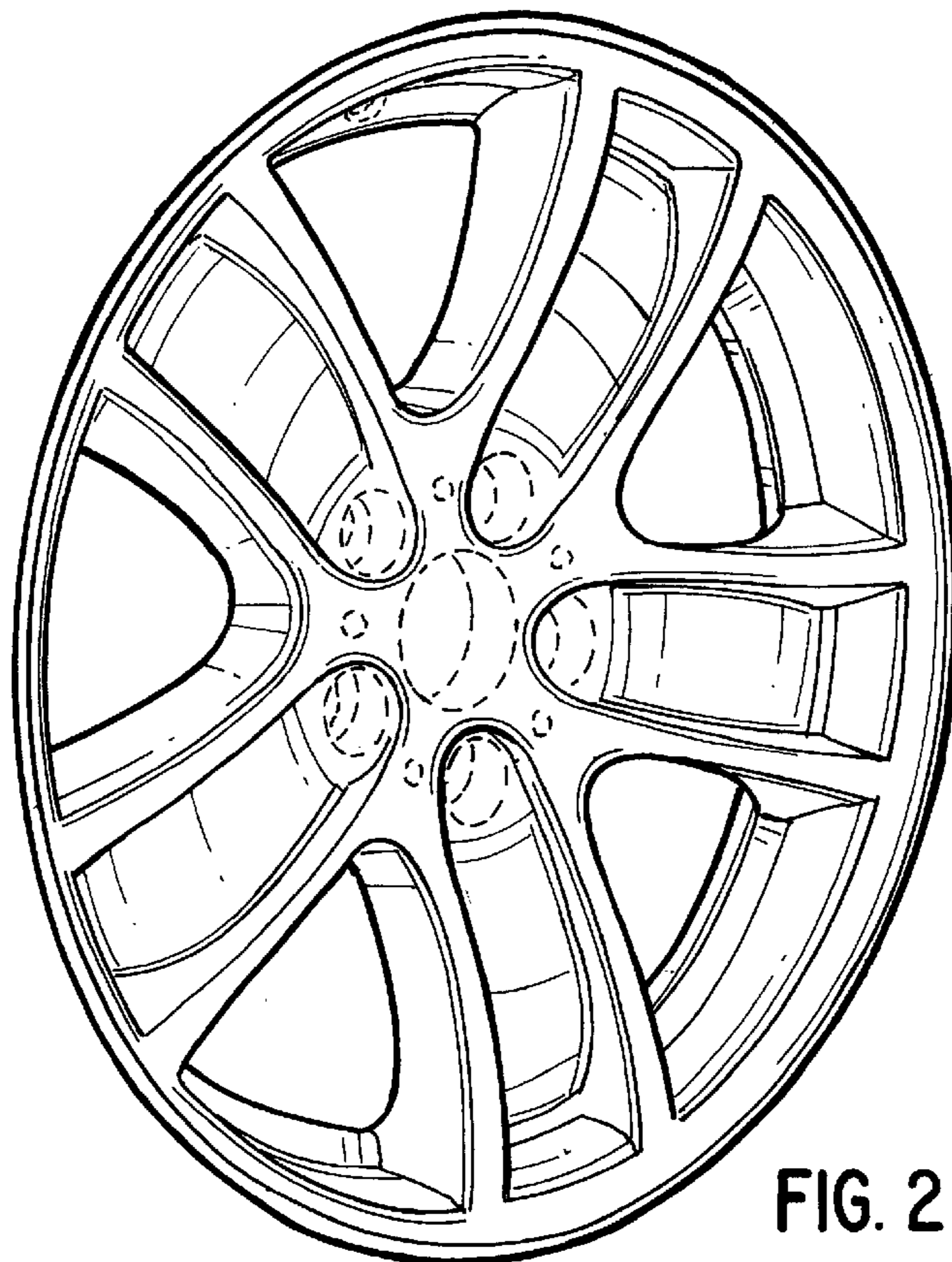


FIG. 2