



US00D486106S

(12) **United States Design Patent**
Huang

(10) **Patent No.:** **US D486,106 S**

(45) **Date of Patent:** **** Feb. 3, 2004**

(54) **REARVIEW MIRROR**

(76) Inventor: **Wen Huang**, No. 25, Alley 244, Lane 484, Sec. 1, King Hua Road, Tainan (TW)

(**) Term: **14 Years**

(21) Appl. No.: **29/179,245**

(22) Filed: **Apr. 8, 2003**

(51) **LOC (7) Cl.** **12-16**

(52) **U.S. Cl.** **D12/187**

(58) **Field of Search** D12/187-189; 359/830-856, 864-881; 248/475.1, 476

(56) **References Cited**

U.S. PATENT DOCUMENTS

D406,088 S	*	2/1999	Hanlon et al.	D12/187
D427,554 S	*	7/2000	Schmider	D12/188
D429,673 S	*	8/2000	Pfeiffer	D12/187
D430,839 S	*	9/2000	Goplen	D12/187

D440,922 S	*	4/2001	Evers	D12/187
D474,723 S	*	5/2003	Song	D12/187

* cited by examiner

Primary Examiner—Melody N. Brown

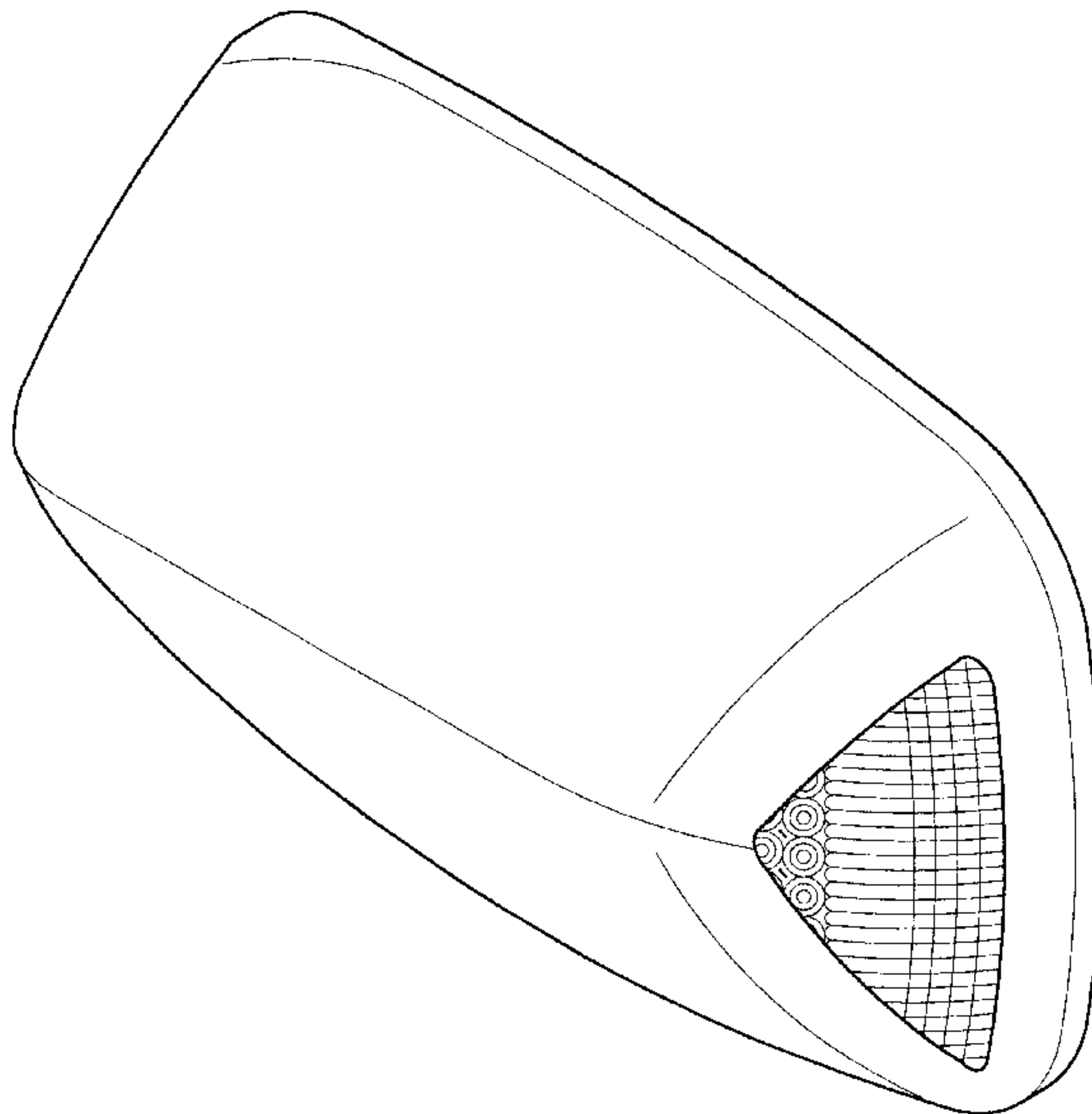
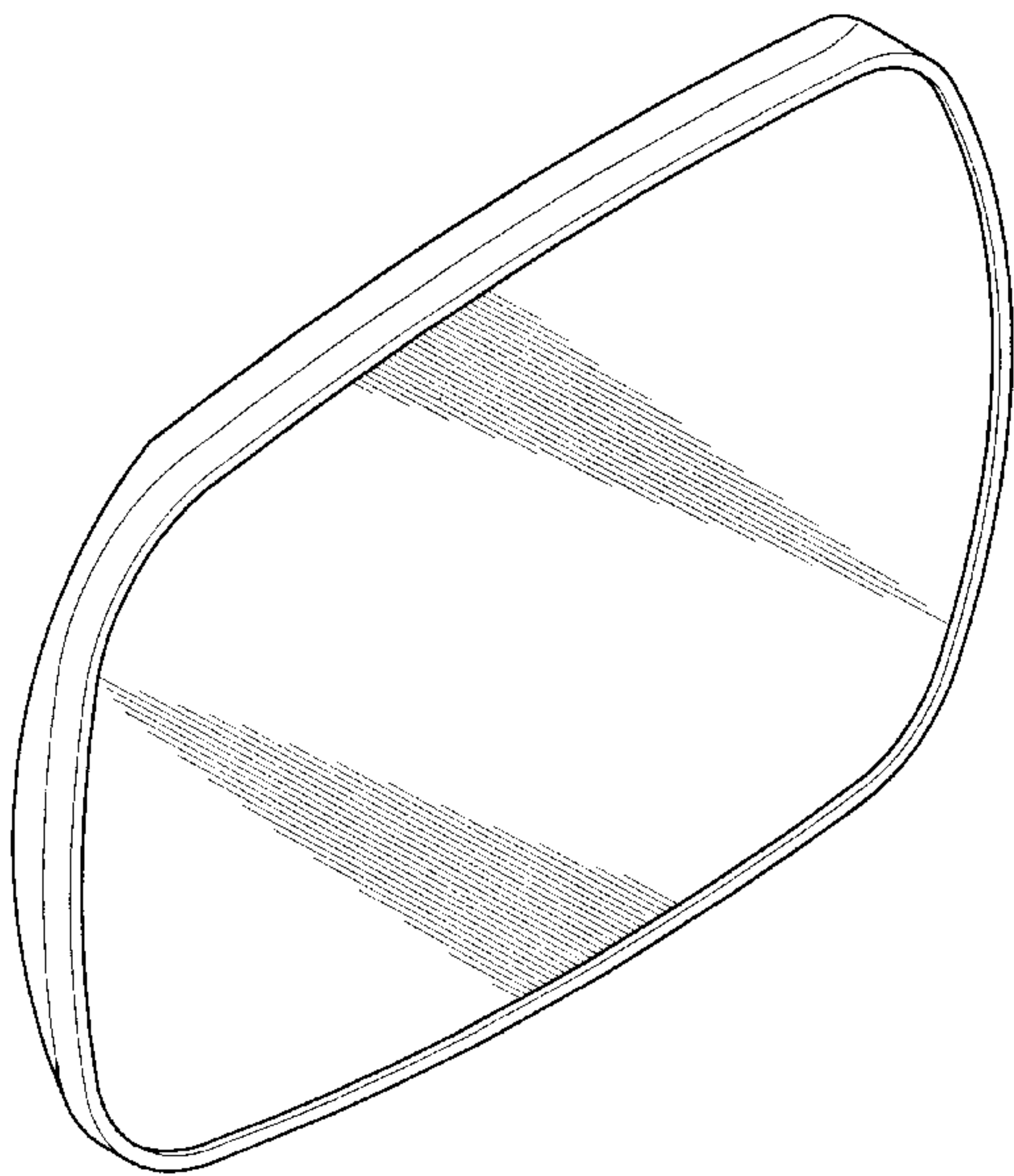
(57) **CLAIM**

The ornamental design for a rearview mirror, as shown and described.

DESCRIPTION

FIG. 1 is a perspective view of a rearview mirror showing my new design;
FIG. 2 is a front elevational view thereof;
FIG. 3 is a rear elevational view thereof;
FIG. 4 is a left side elevational view thereof;
FIG. 5 is a right side elevational view thereof;
FIG. 6 is a top plan view thereof;
FIG. 7 is a bottom plan view thereof; and,
FIG. 8 is a perspective view from another angle.

1 Claim, 5 Drawing Sheets



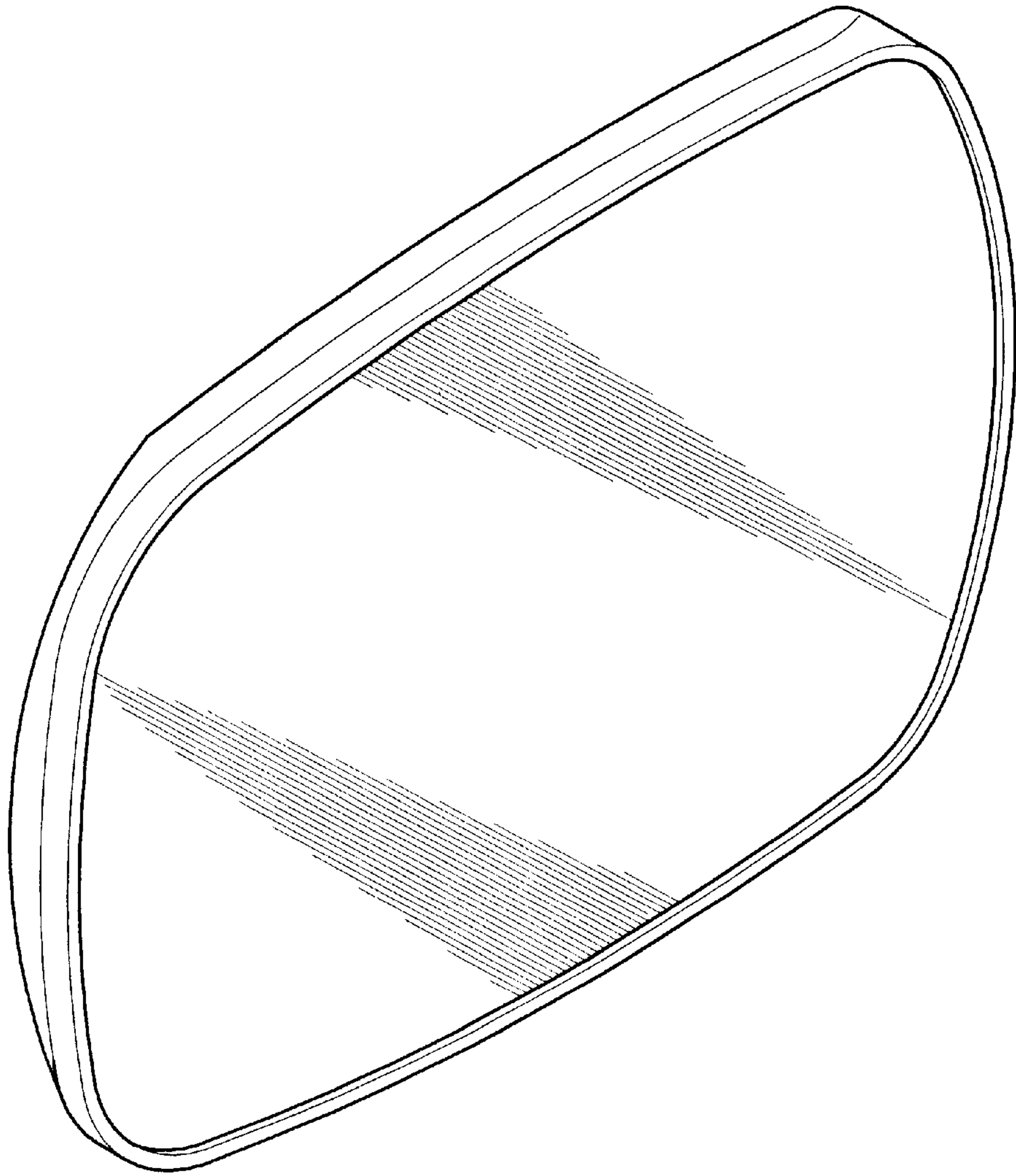


FIG. 1

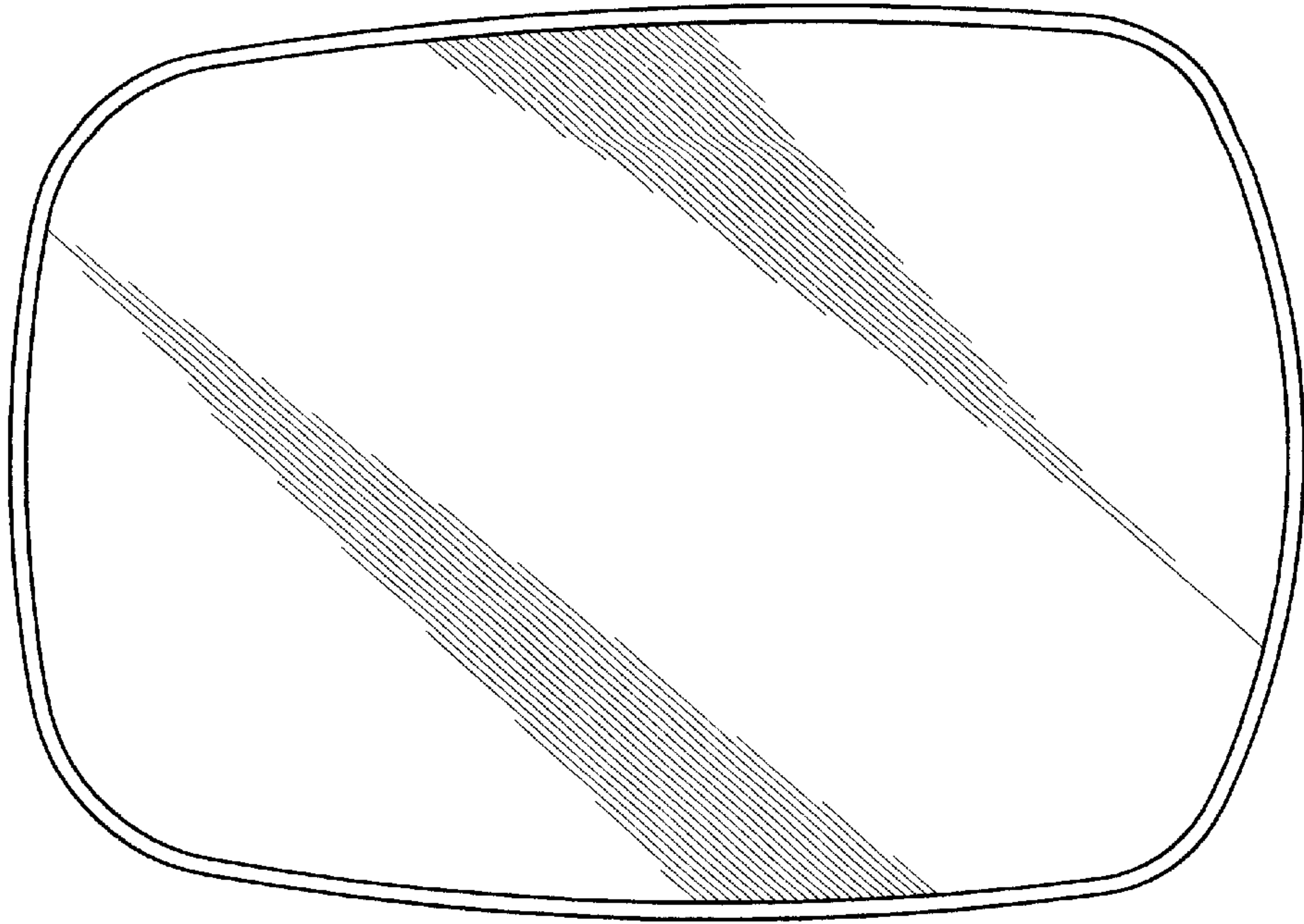


FIG. 2

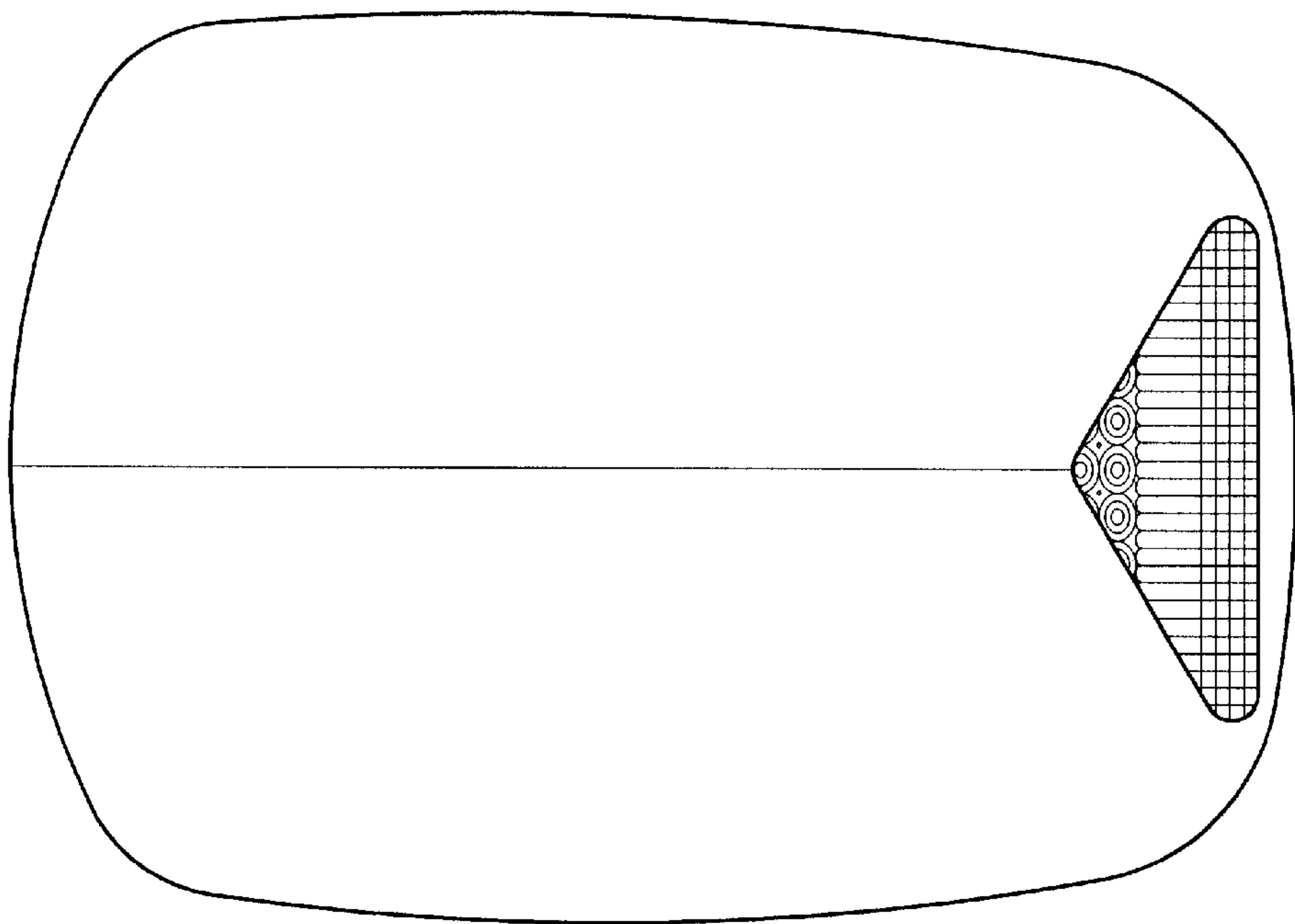


FIG. 3

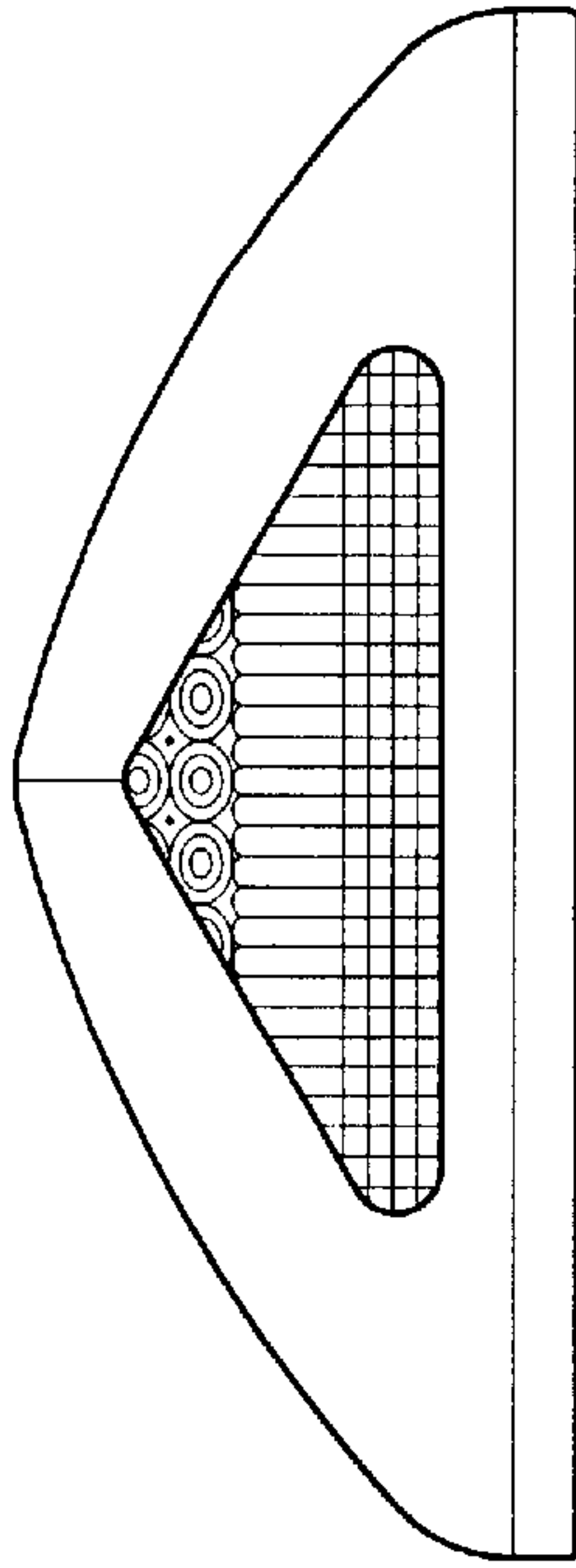


FIG. 4

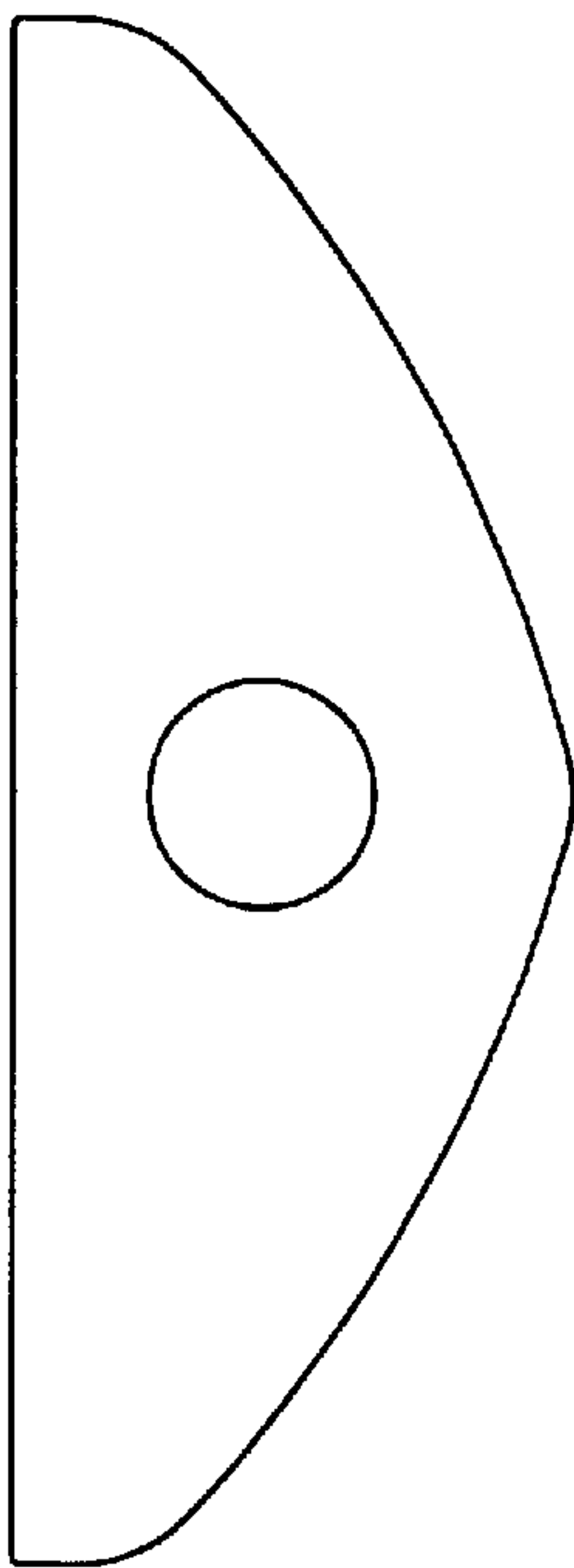


FIG. 5

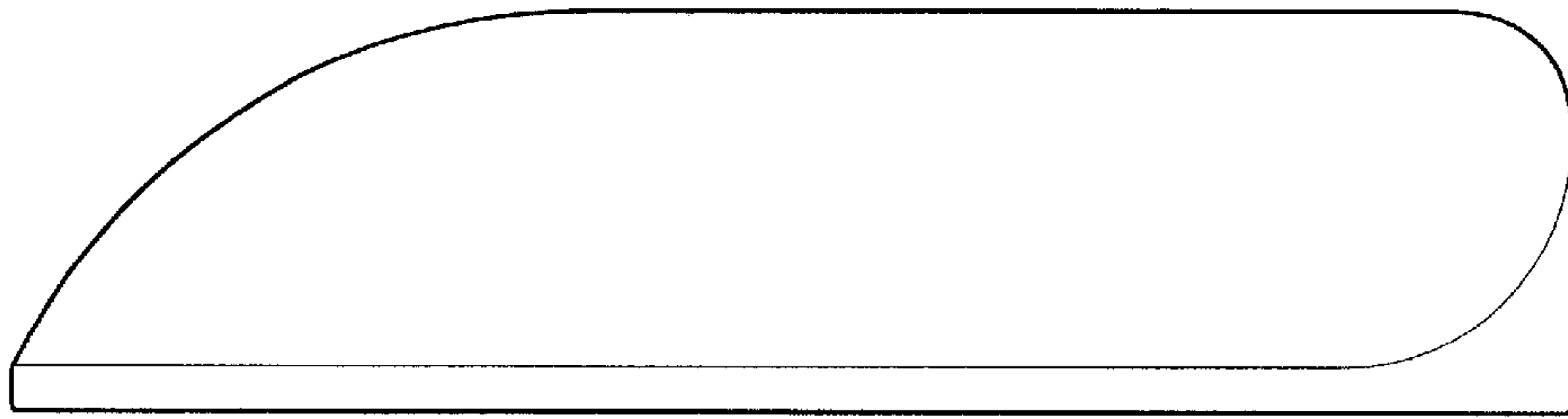


FIG. 6

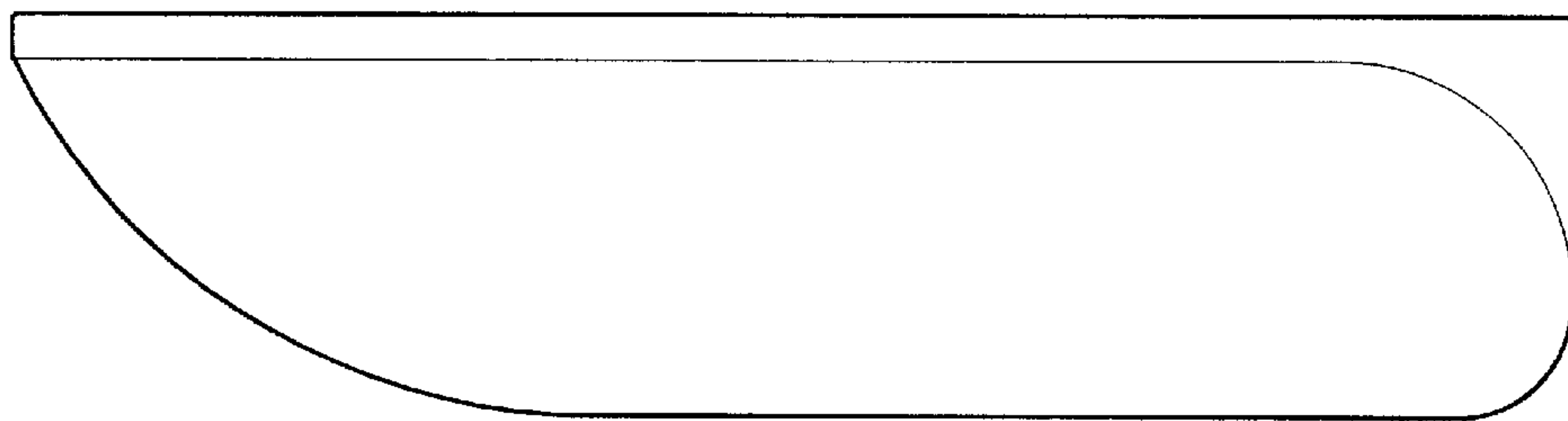


FIG. 7

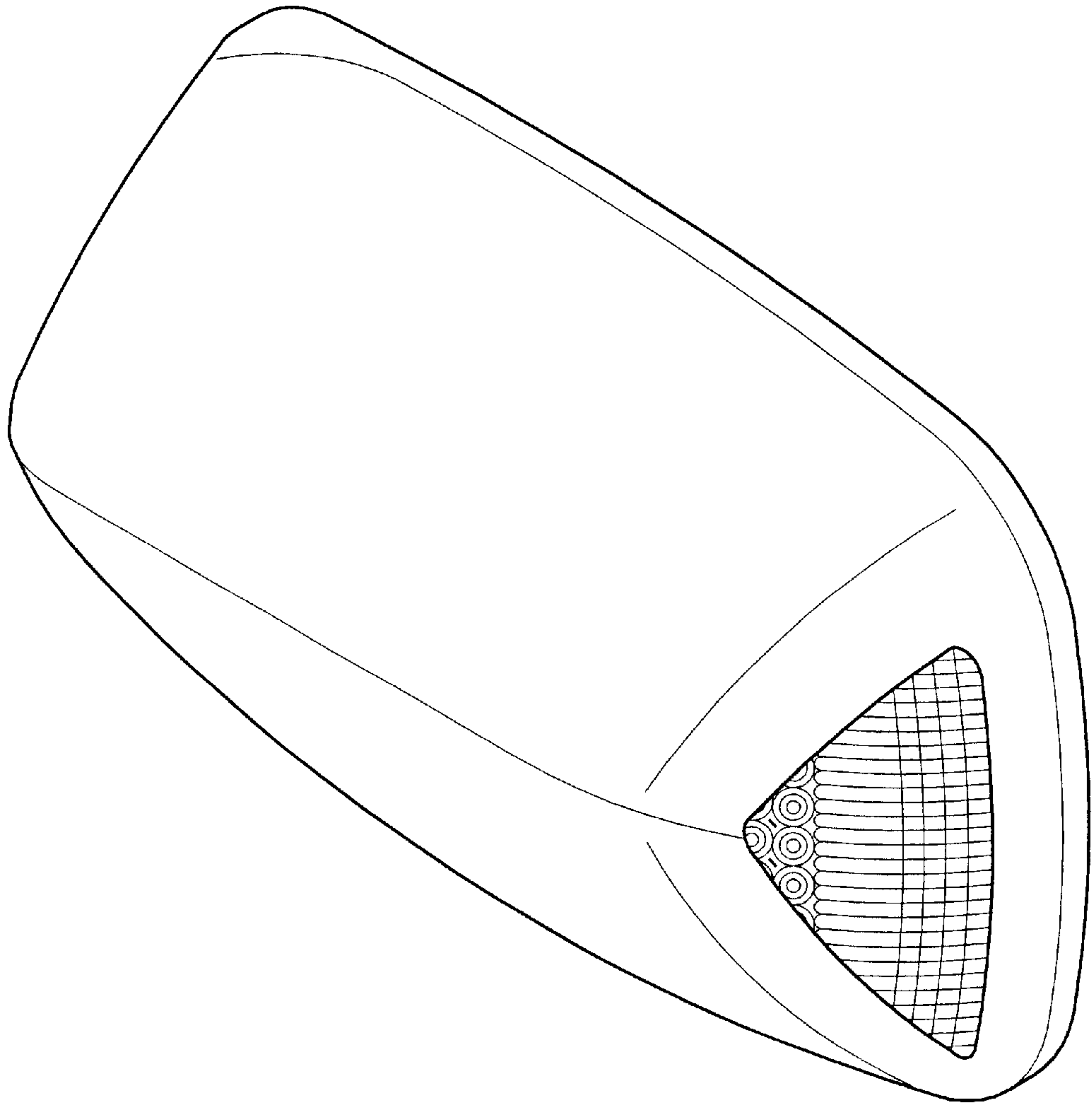


FIG. 8