



US00D486099S

(12) **United States Design Patent**  
**Chen**

(10) **Patent No.:** **US D486,099 S**

(45) **Date of Patent:** **\*\* Feb. 3, 2004**

(54) **DOUBLE-SEAT STROLLER**

D465,754 S \* 11/2002 Huang ..... D12/129

(75) Inventor: **Shun-Min Chen**, Taipei (TW)

\* cited by examiner

(73) Assignee: **Wonderland Nurserygoods Co., Ltd.**,  
Taipei (TW)

*Primary Examiner*—Marcus A. Jackson  
(74) *Attorney, Agent, or Firm*—Greenberg Traurig, LLP;  
Charles Berman; Claude Nassif

(\*\*) Term: **14 Years**

(57) **CLAIM**

(21) Appl. No.: **29/181,860**

The ornamental design for double-seat stroller, as shown and described.

(22) Filed: **May 16, 2003**

(51) **LOC (7) Cl.** ..... **12-12**

(52) **U.S. Cl.** ..... **D12/129**

(58) **Field of Search** ..... D12/128-133;  
280/30, 42, 47.38, 47.371, 642, 643, 647,  
648, 650

**DESCRIPTION**

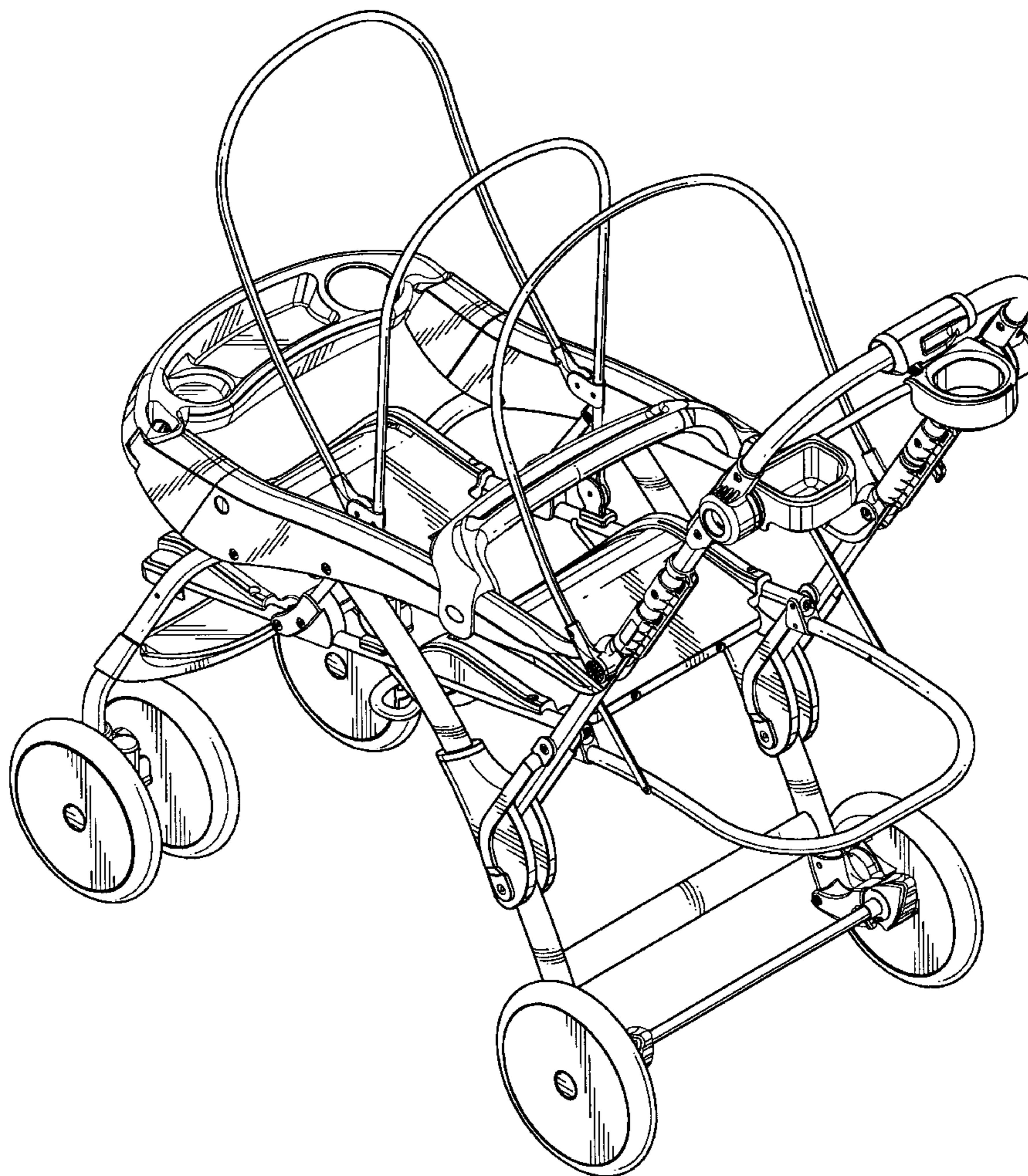
FIG. 1 is a perspective view of double-seat stroller showing the new design;  
FIG. 2 is a front elevational view thereof;  
FIG. 3 is a rear elevational view thereof;  
FIG. 4 is a left side elevational view thereof;  
FIG. 5 is a right side elevational view thereof;  
FIG. 6 is a top plan view thereof; and,  
FIG. 7 is a bottom plan view thereof.

(56) **References Cited**

**U.S. PATENT DOCUMENTS**

D429,664 S \* 8/2000 Gehr ..... D12/129  
D430,076 S \* 8/2000 Gehr ..... D12/129

**1 Claim, 7 Drawing Sheets**



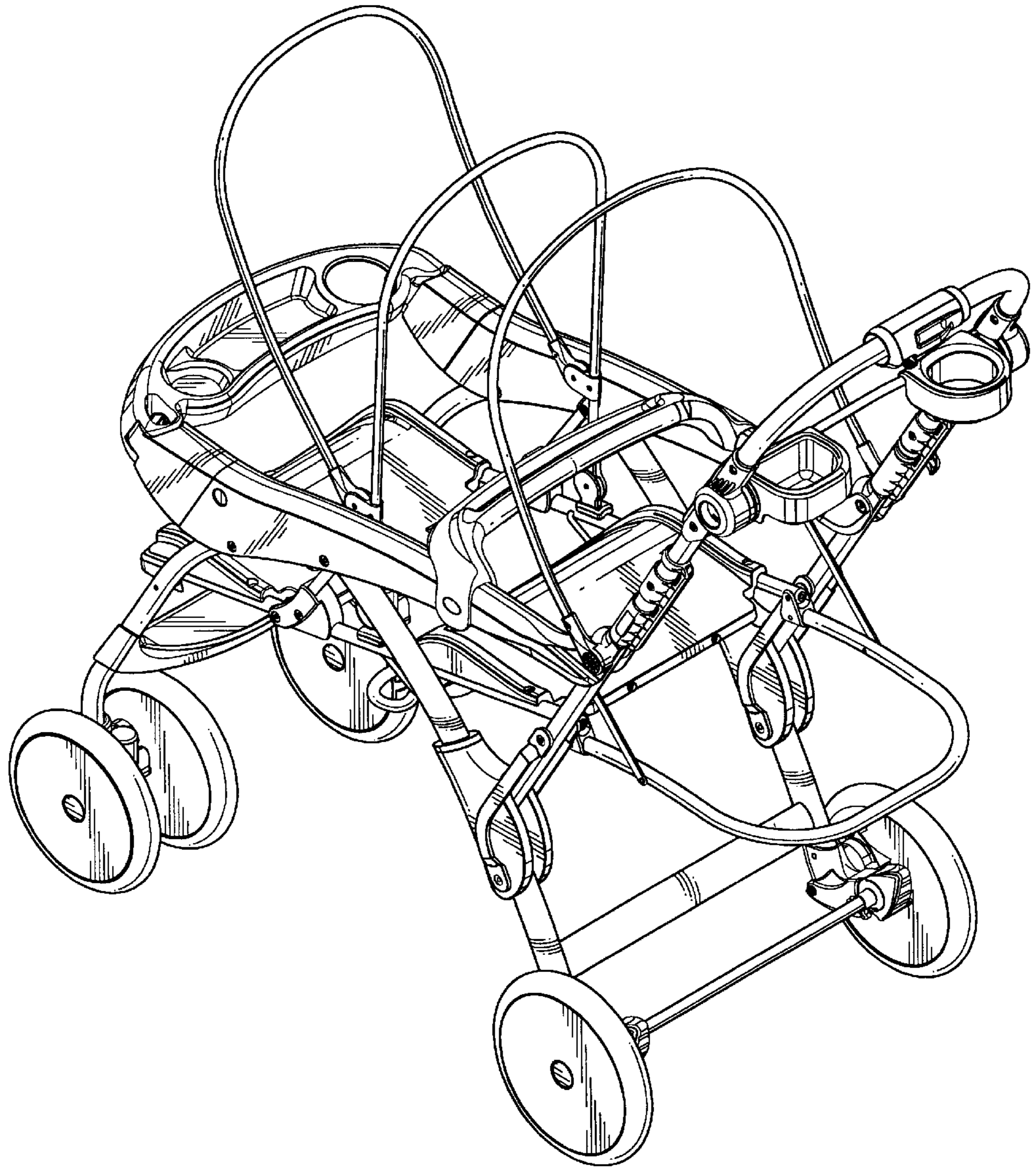


FIG. 1

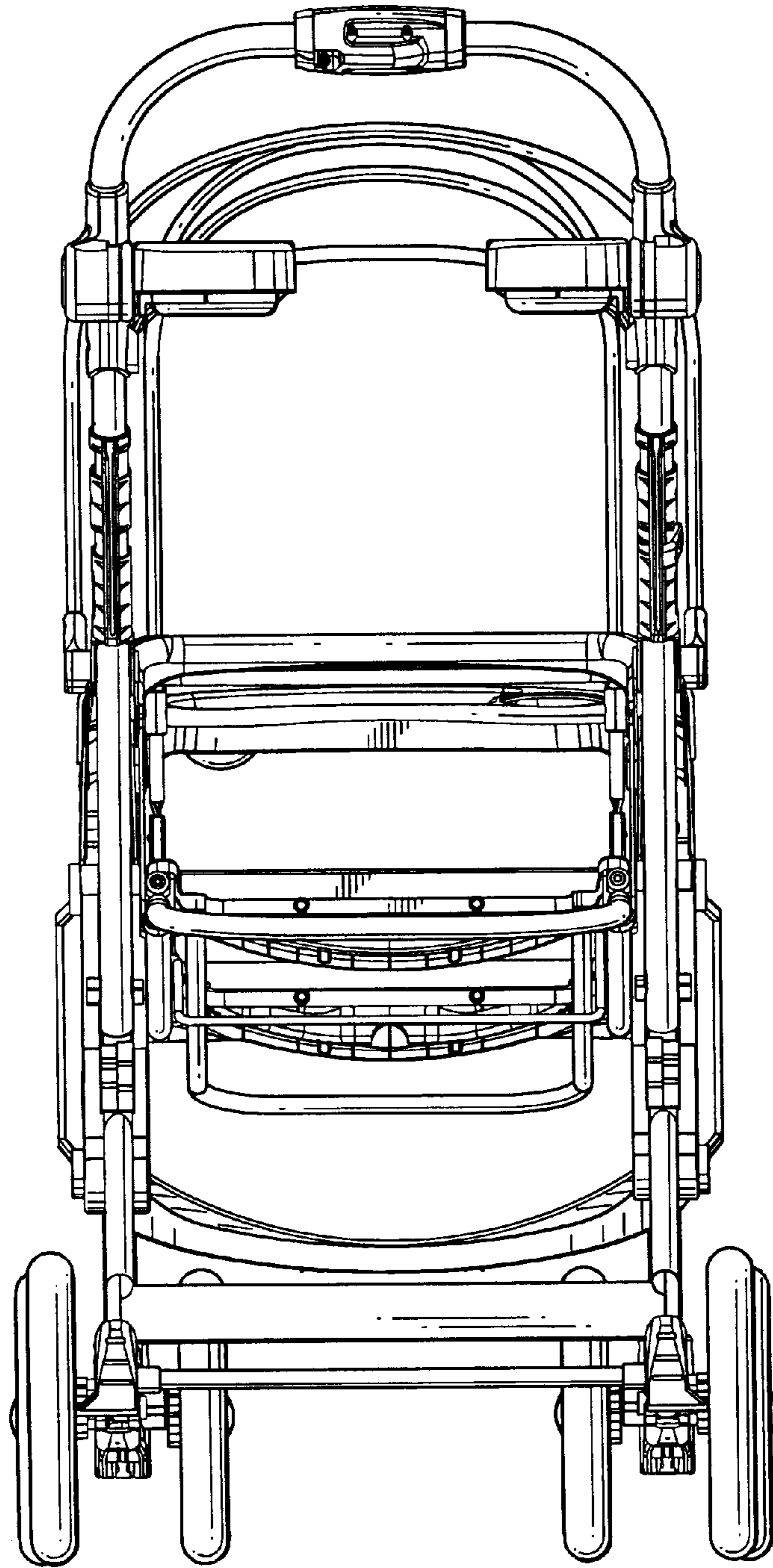


FIG. 2

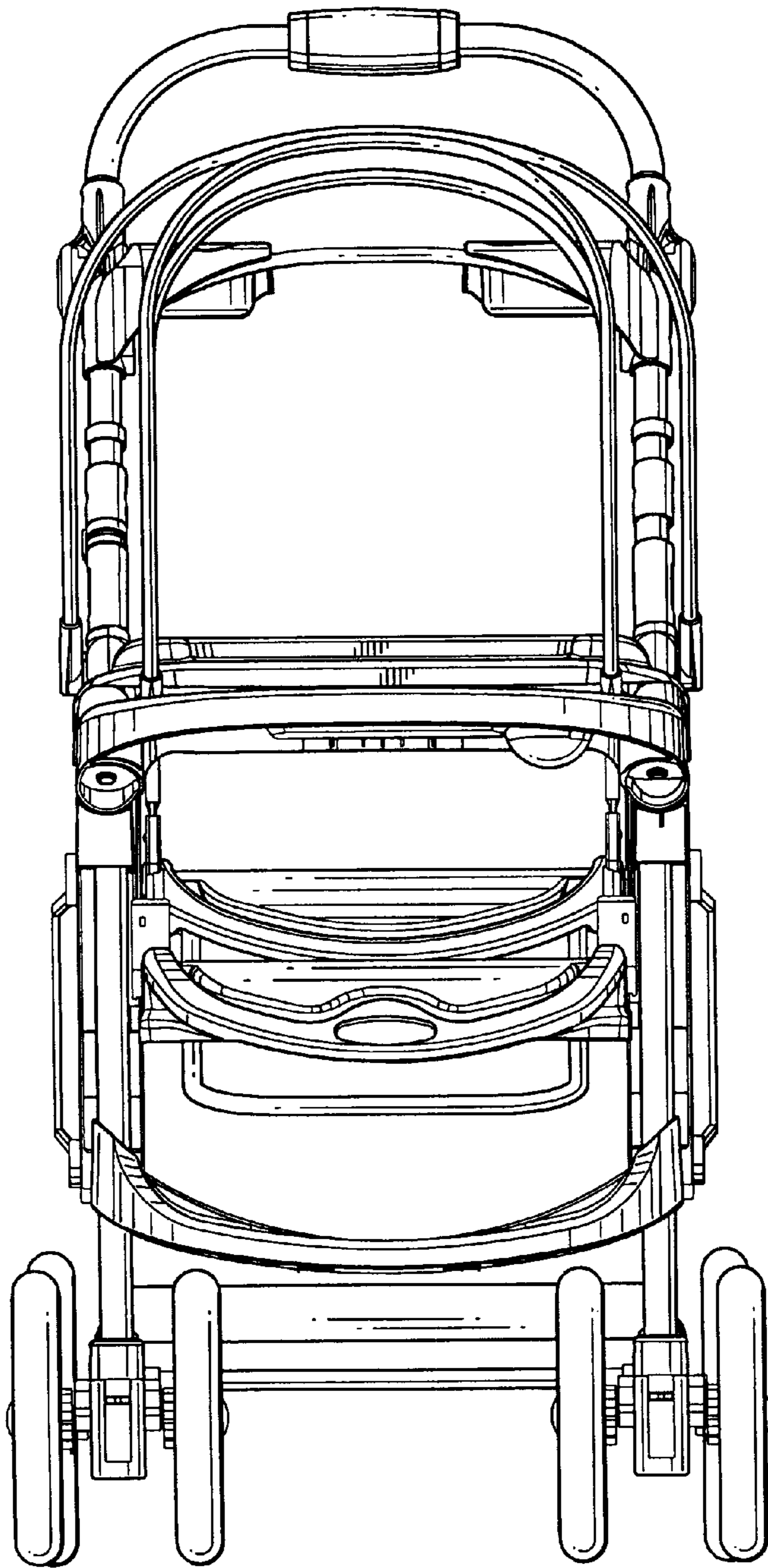


FIG. 3

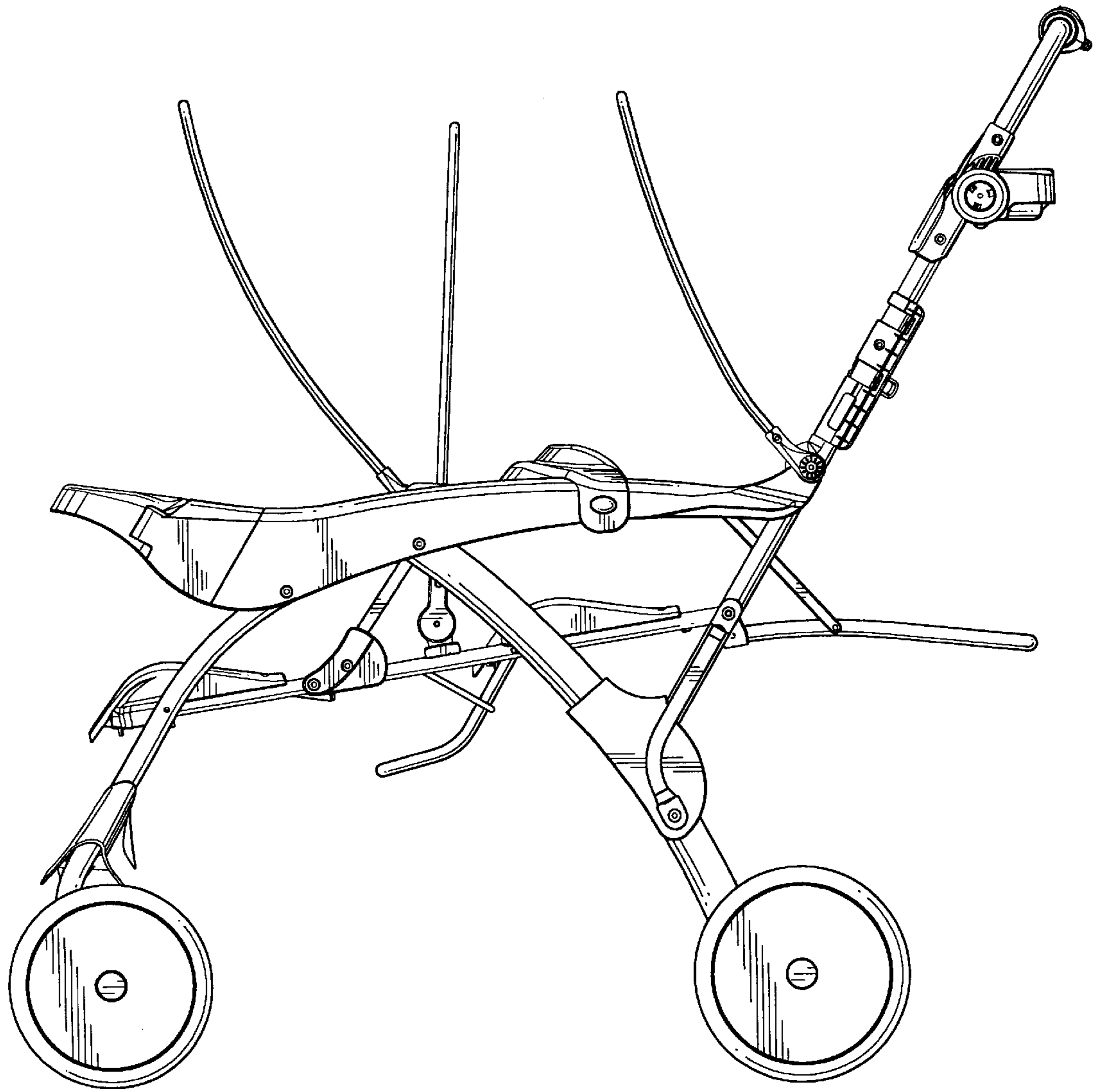


FIG. 4

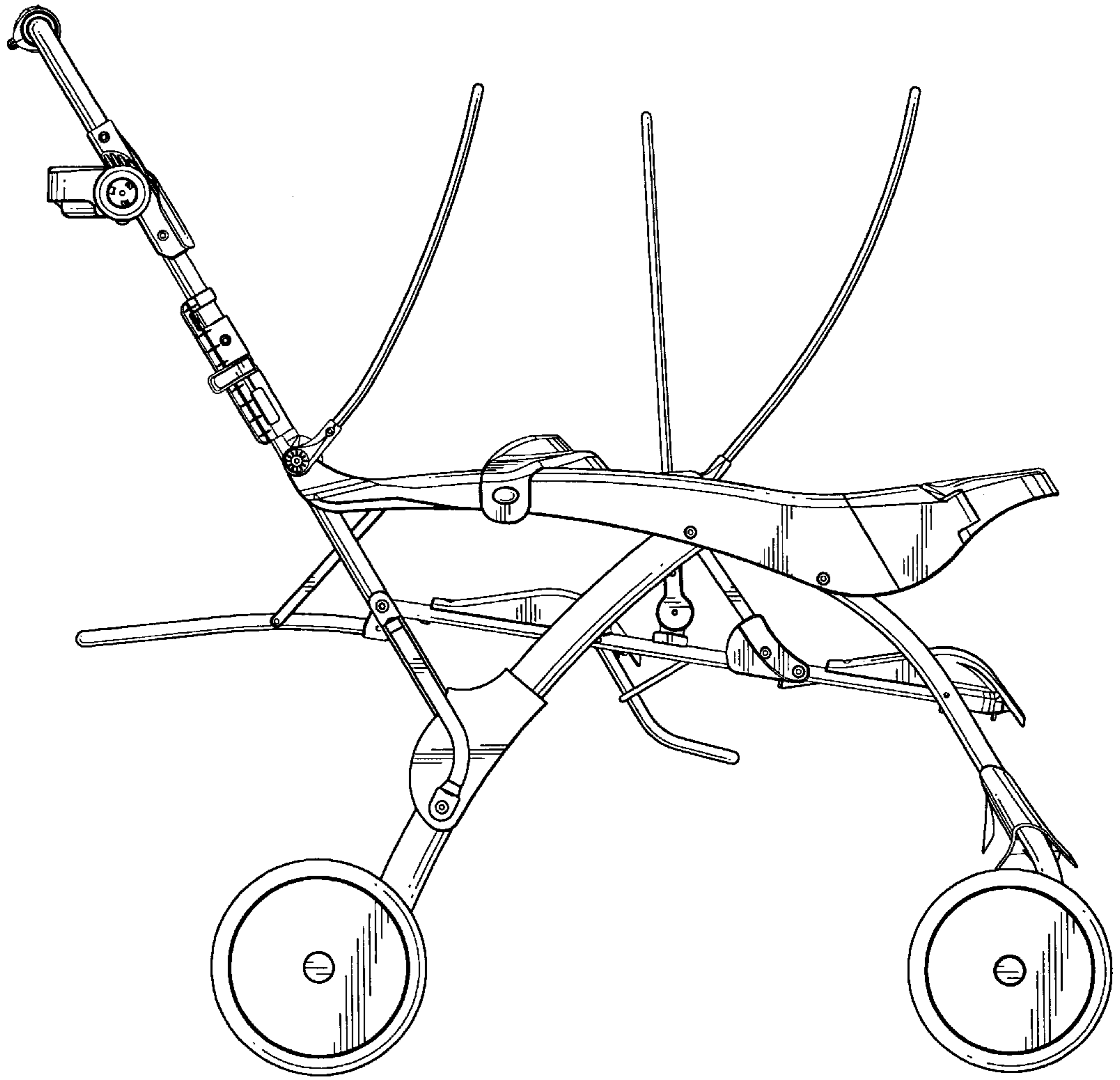


FIG. 5

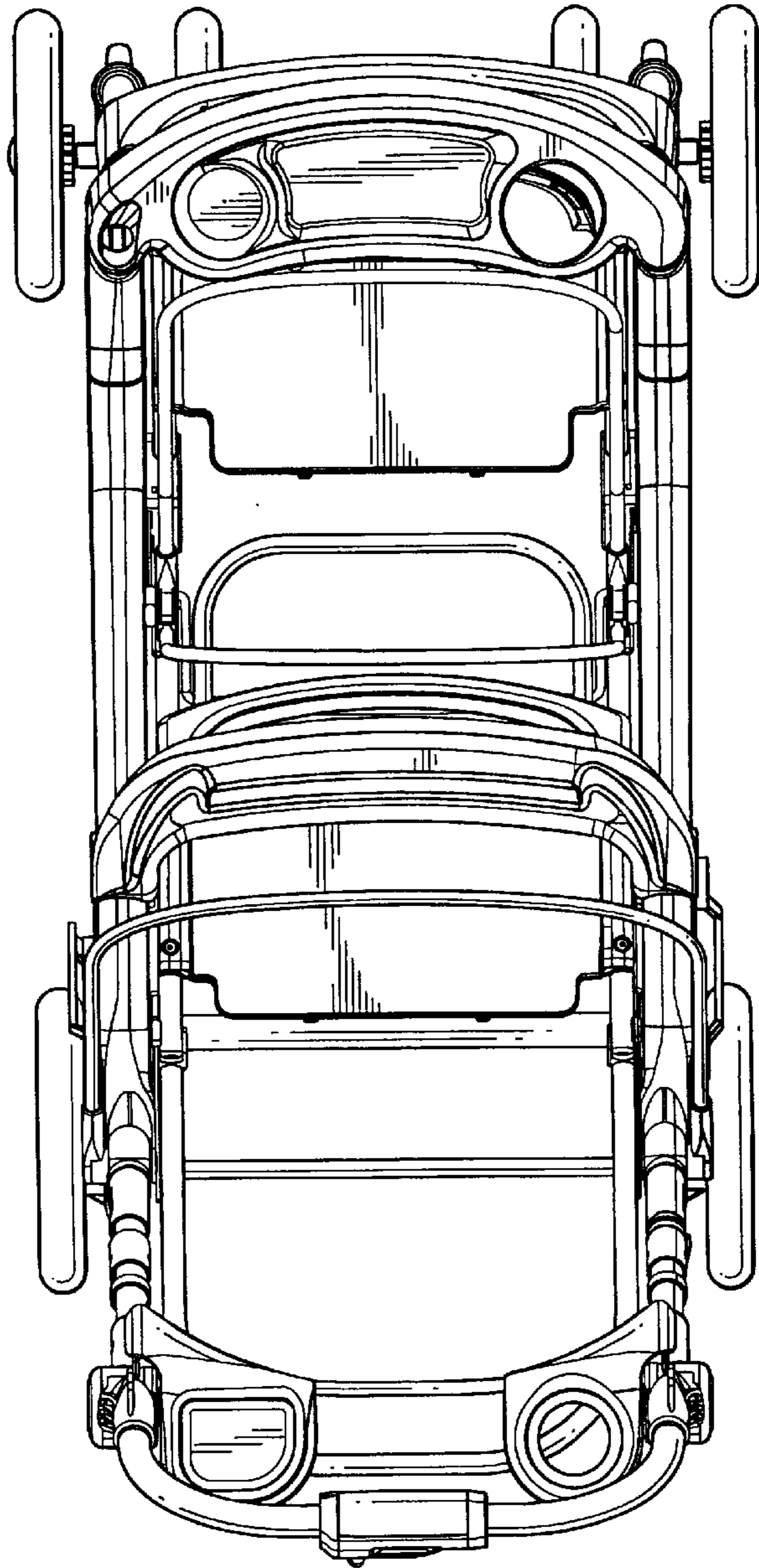


FIG. 6

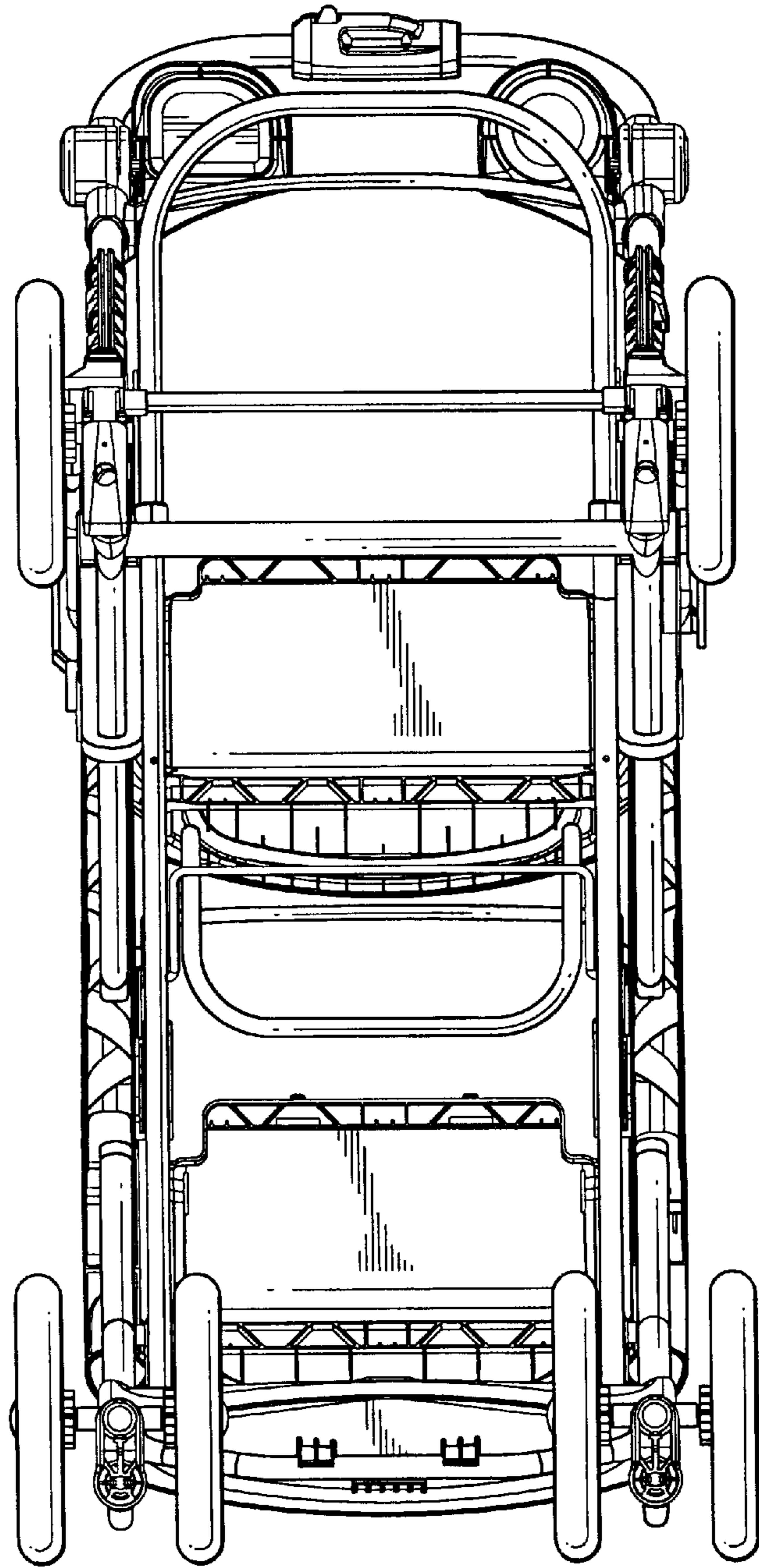


FIG. 7