



US00D486097S

(12) **United States Design Patent**
Kamysiak

(10) **Patent No.:** **US D486,097 S**

(45) **Date of Patent:** **** Feb. 3, 2004**

(54) **BIKE STAND**

4,433,787 A * 2/1984 Cook et al. 211/5
D302,804 S * 8/1989 Mailhot et al. D12/115

(76) Inventor: **Jerry Kamysiak**, 9528 S. Bolton Rd.,
Posen, MI (US) 49776

* cited by examiner

(**) Term: **14 Years**

Primary Examiner—Alan P. Douglas

Assistant Examiner—Linda Brooks

(21) Appl. No.: **29/161,242**

(74) *Attorney, Agent, or Firm*—Our Pal LLC; Pal Asija

(22) Filed: **May 24, 2002**

(57) **CLAIM**

(51) **LOC (7) Cl.** **12-11**

I claim the ornamental design for a bike stand, as shown and described.

(52) **U.S. Cl.** **D12/115**

(58) **Field of Search** D12/115; D6/464-469,
D6/552; 211/5, 17-22, 60.1

DESCRIPTION

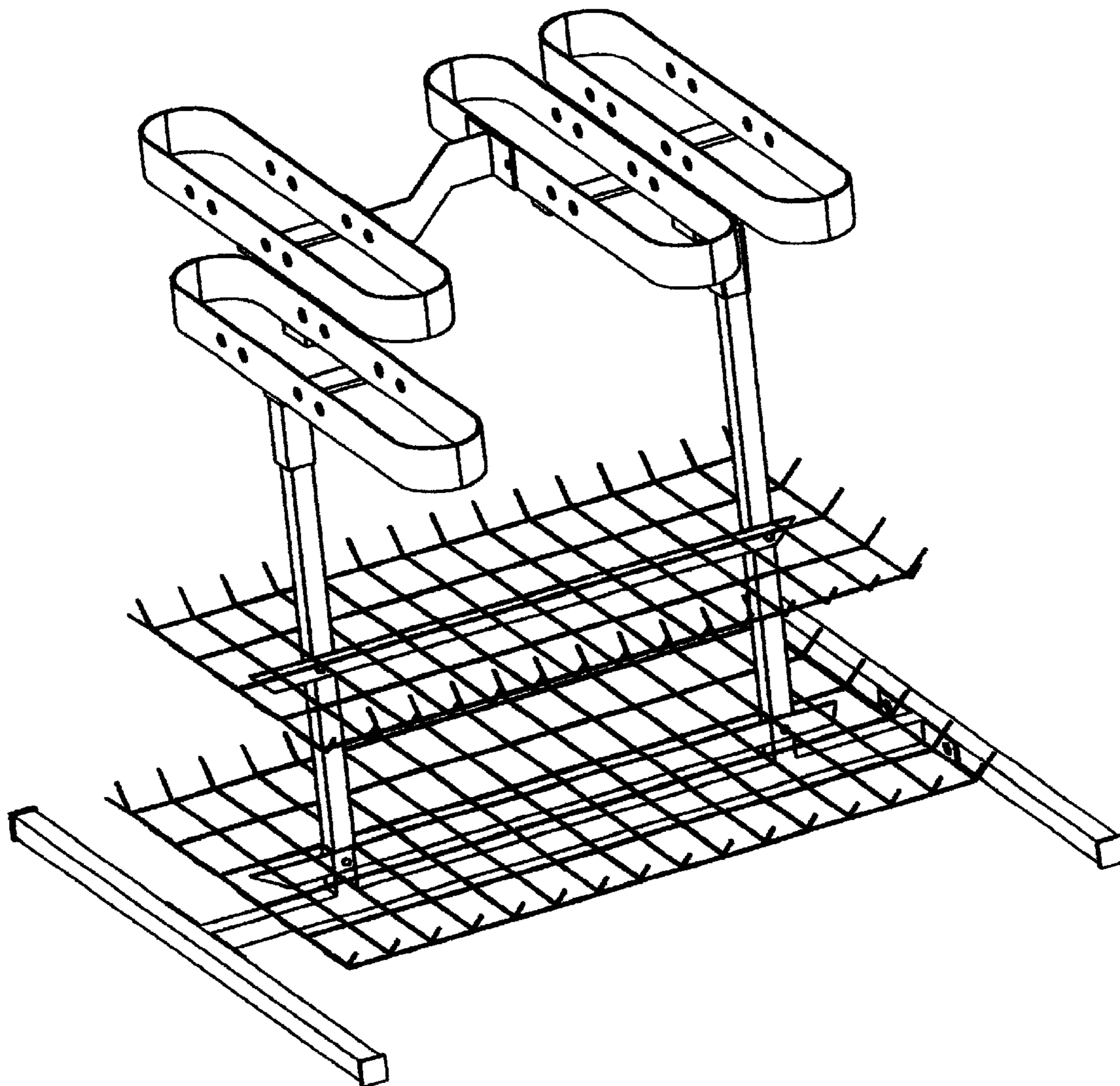
(56) **References Cited**

FIG. 1 is a top plan view of the bike stand.
FIG. 2 is an isometric perspective view thereof.
FIG. 3 is left side elevation thereof; and,
FIG. 4 is rear or back elevation thereof.

U.S. PATENT DOCUMENTS

3,394,820 A * 7/1968 Laff et al. D6/464 X
D234,587 S * 3/1975 Harris et al. D12/115

1 Claim, 3 Drawing Sheets



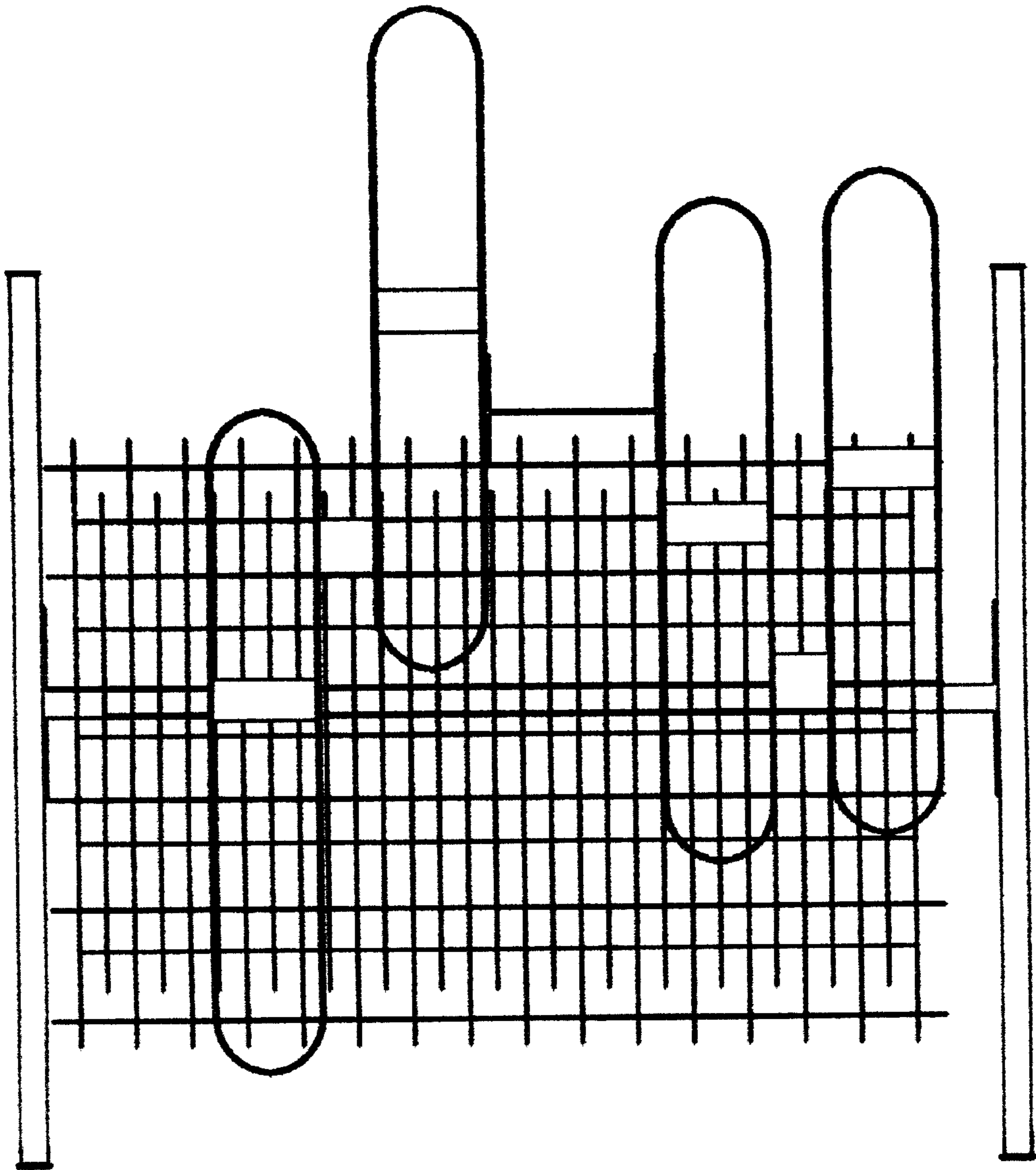


FIG 1.

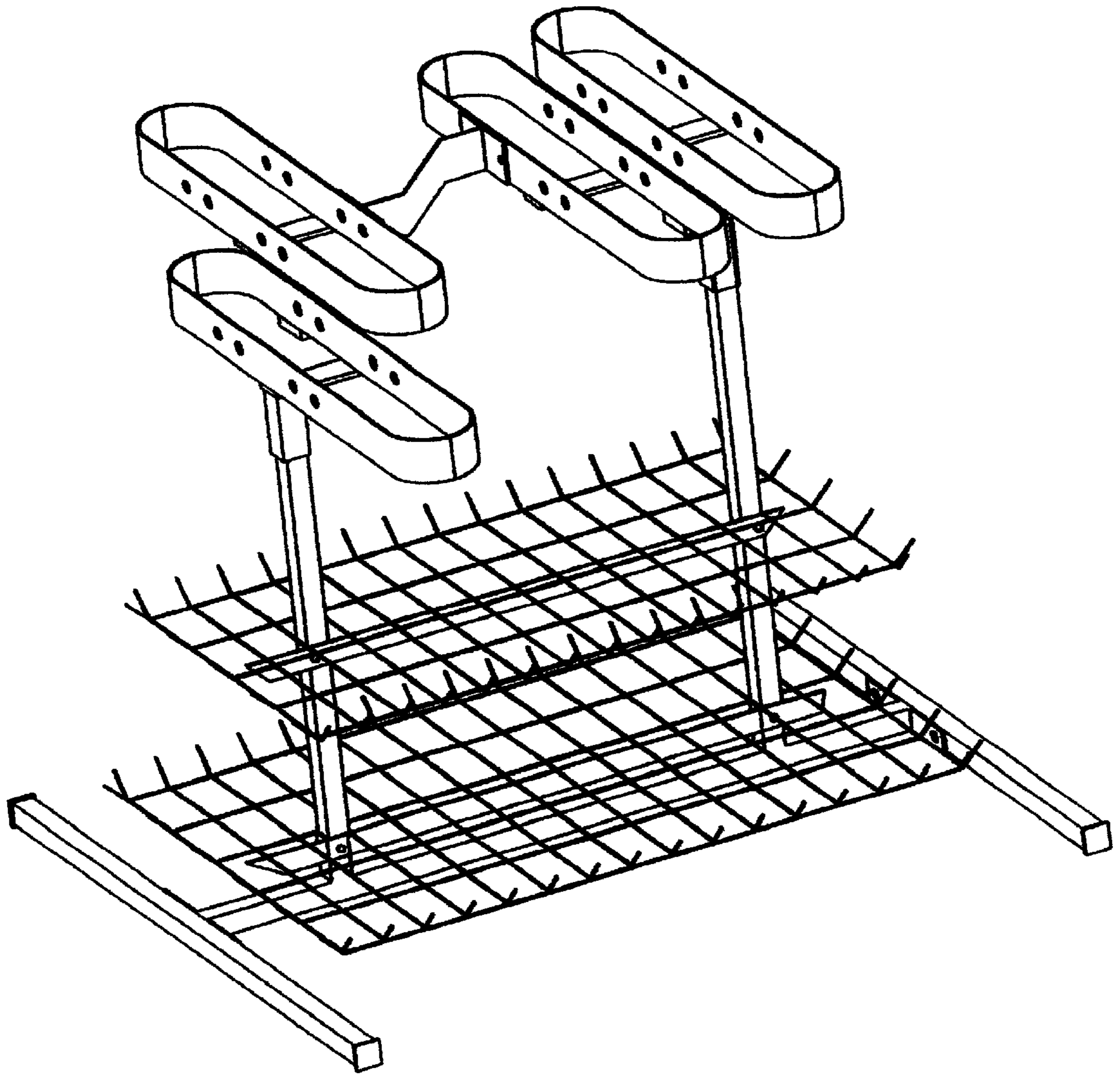


FIG 2

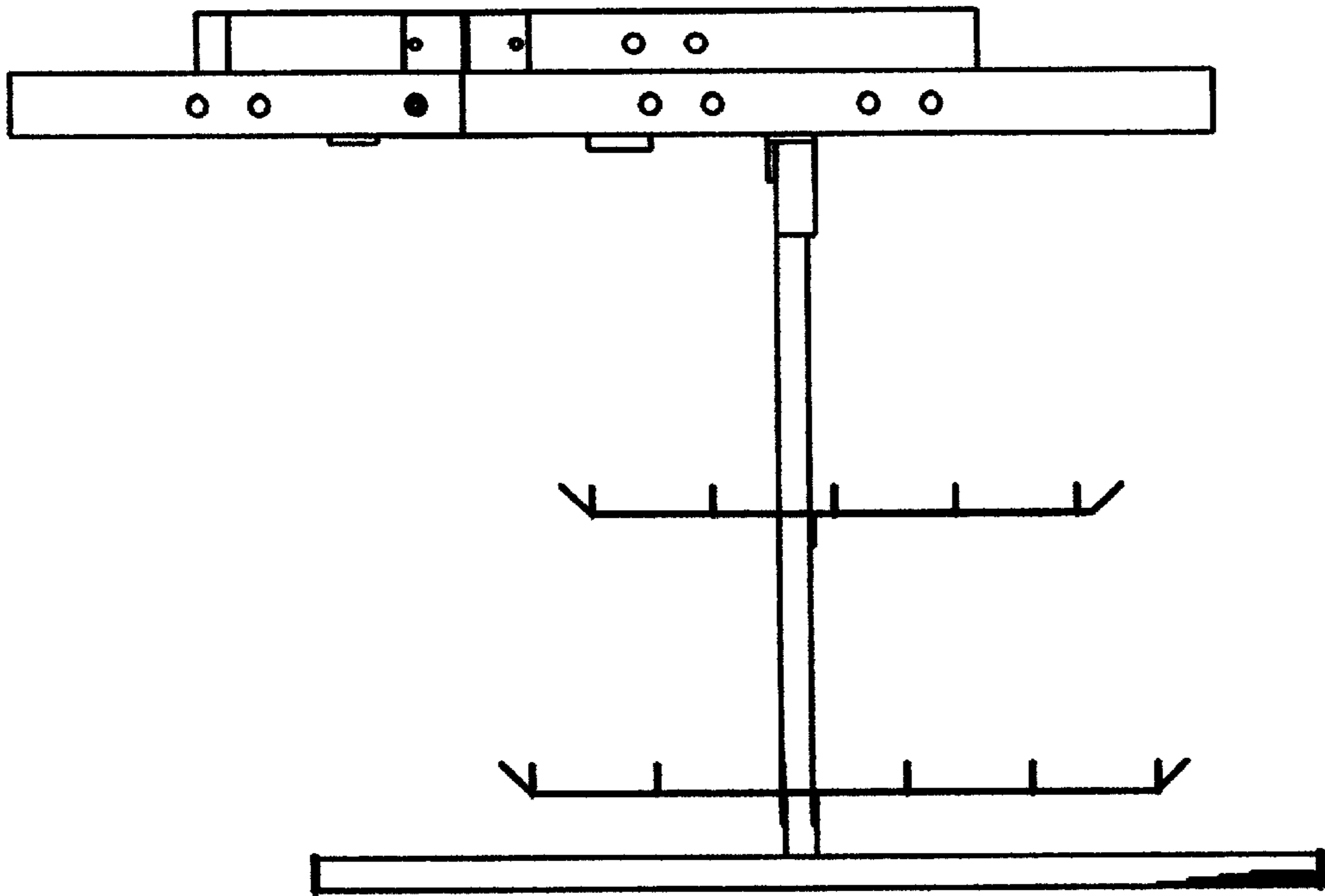


FIG 3

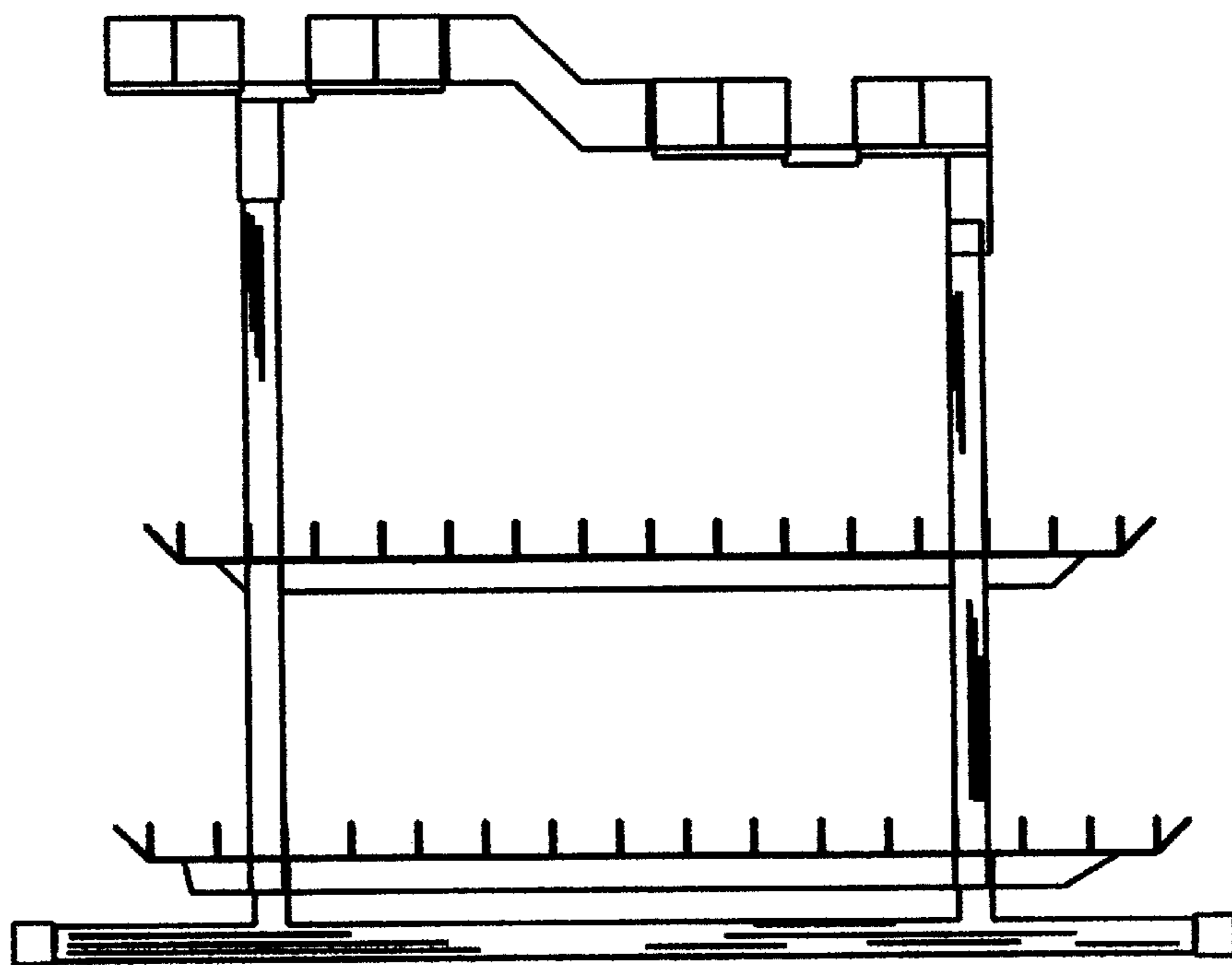


FIG 4