



US00D486096S

(12) **United States Design Patent**
Messmer

(10) **Patent No.:** **US D486,096 S**

(45) **Date of Patent:** **** Feb. 3, 2004**

(54) **MOTORCYCLE TRAILER**

D443,561 S * 6/2001 Voogt D12/102

(75) Inventor: **David J. Messmer**, West Jordan, UT
(US)

* cited by examiner

(73) Assignee: **Hawley Park, L.L.C.**, West Jordan, UT
(US)

Primary Examiner—Melody N. Brown
(74) *Attorney, Agent, or Firm*—Thorpe North & Western

(**) Term: **14 Years**

(57) **CLAIM**

The ornamental design for a motorcycle trailer, as shown and described.

(21) Appl. No.: **29/177,353**

(22) Filed: **Mar. 7, 2003**

DESCRIPTION

(51) **LOC (7) Cl.** **12-10**

(52) **U.S. Cl.** **D12/102**

(58) **Field of Search** D12/101, 102;
280/475, 418.6, 656, 763.1; 296/173

FIG. 1 is an elevated, top perspective view of a motorcycle trailer showing my new design;
FIG. 2 is a right side view thereof;
FIG. 3 is a front view thereof;
FIG. 4 is a rear view thereof;
FIG. 5 is a top view thereof;
FIG. 6 is a bottom view thereof; and,
FIG. 7 is a rear view of a second embodiment of a motorcycle trailer like that of FIG. 4, the only difference being the removal of the taillight and recessed portion from the claimed design.

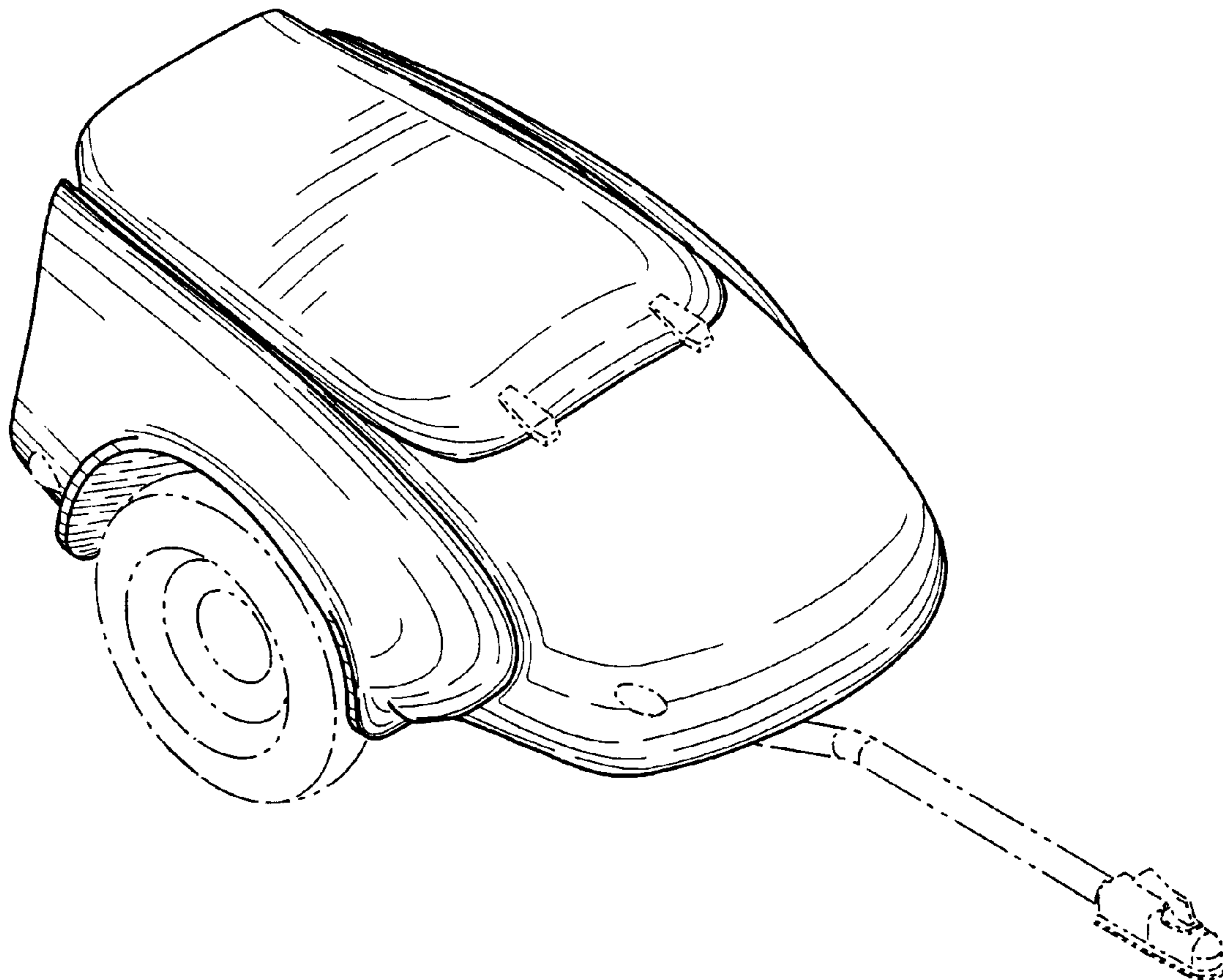
The broken line showing is for illustrative purposes only and forms no part of the claimed design.

(56) **References Cited**

U.S. PATENT DOCUMENTS

D268,178 S	3/1983	Reid	
D313,955 S	1/1991	van der Merwe et al.	
D378,583 S	3/1997	Aitken, III	
D389,785 S	* 1/1998	Guzak D12/102
D411,144 S	* 6/1999	Hamers D12/102
D422,243 S	* 4/2000	Keirstead D12/102

1 Claim, 4 Drawing Sheets



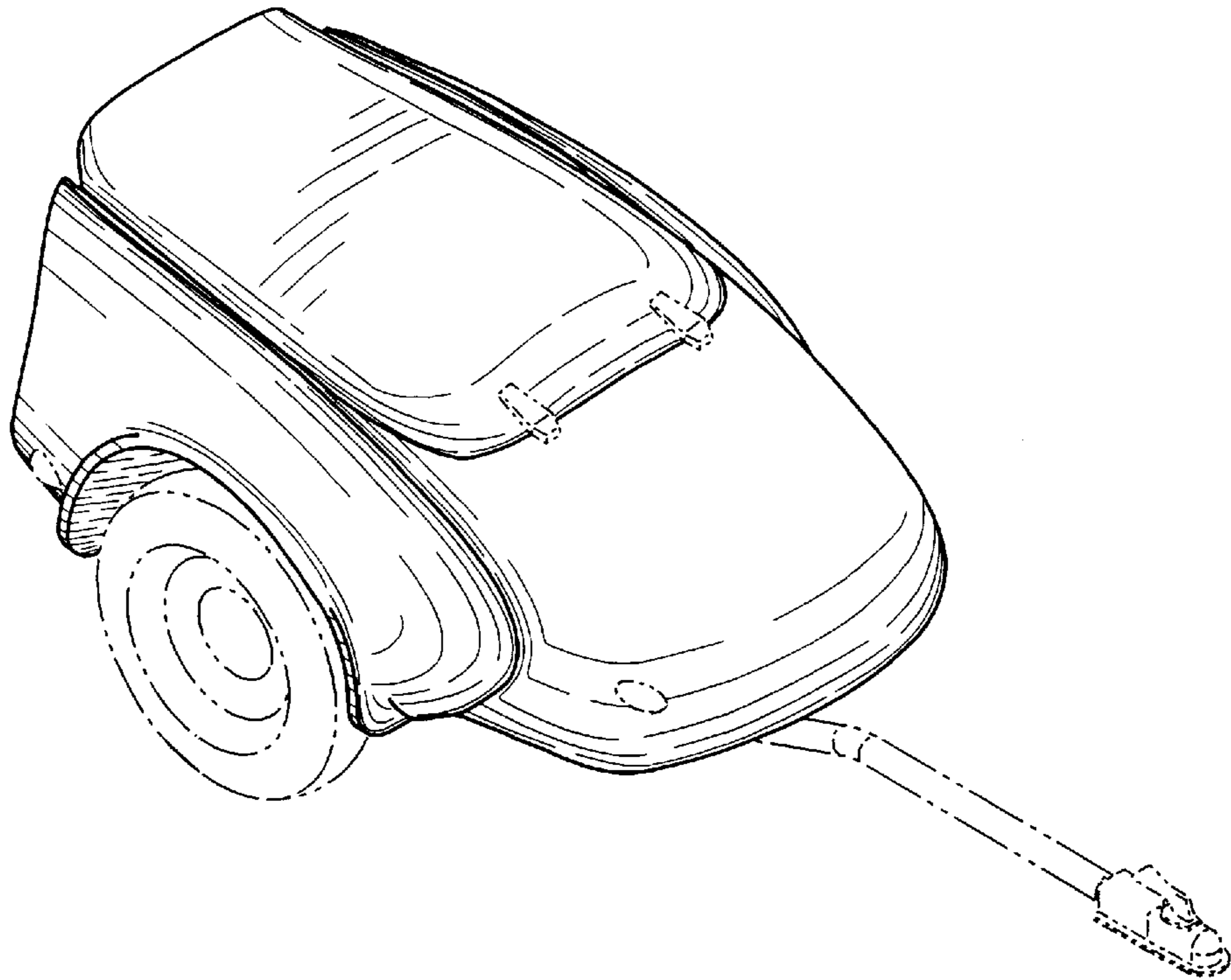


FIG. 1

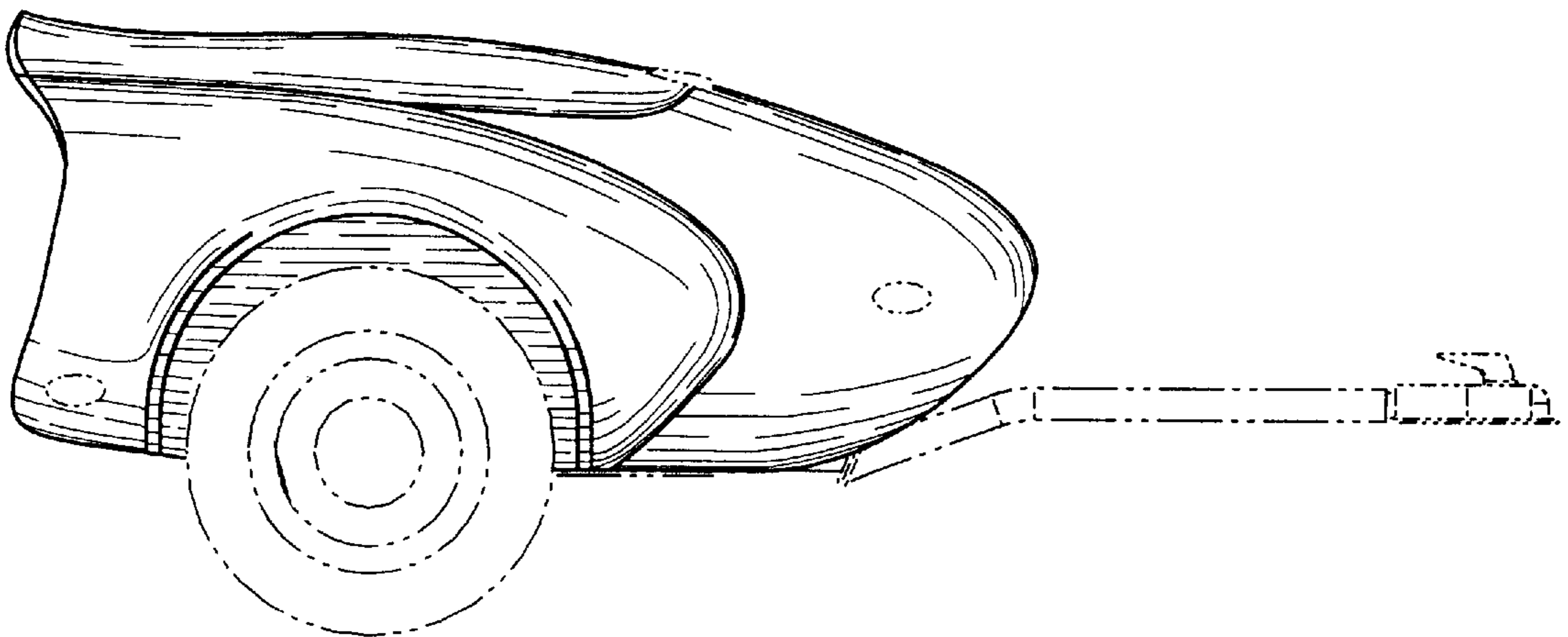


FIG. 2

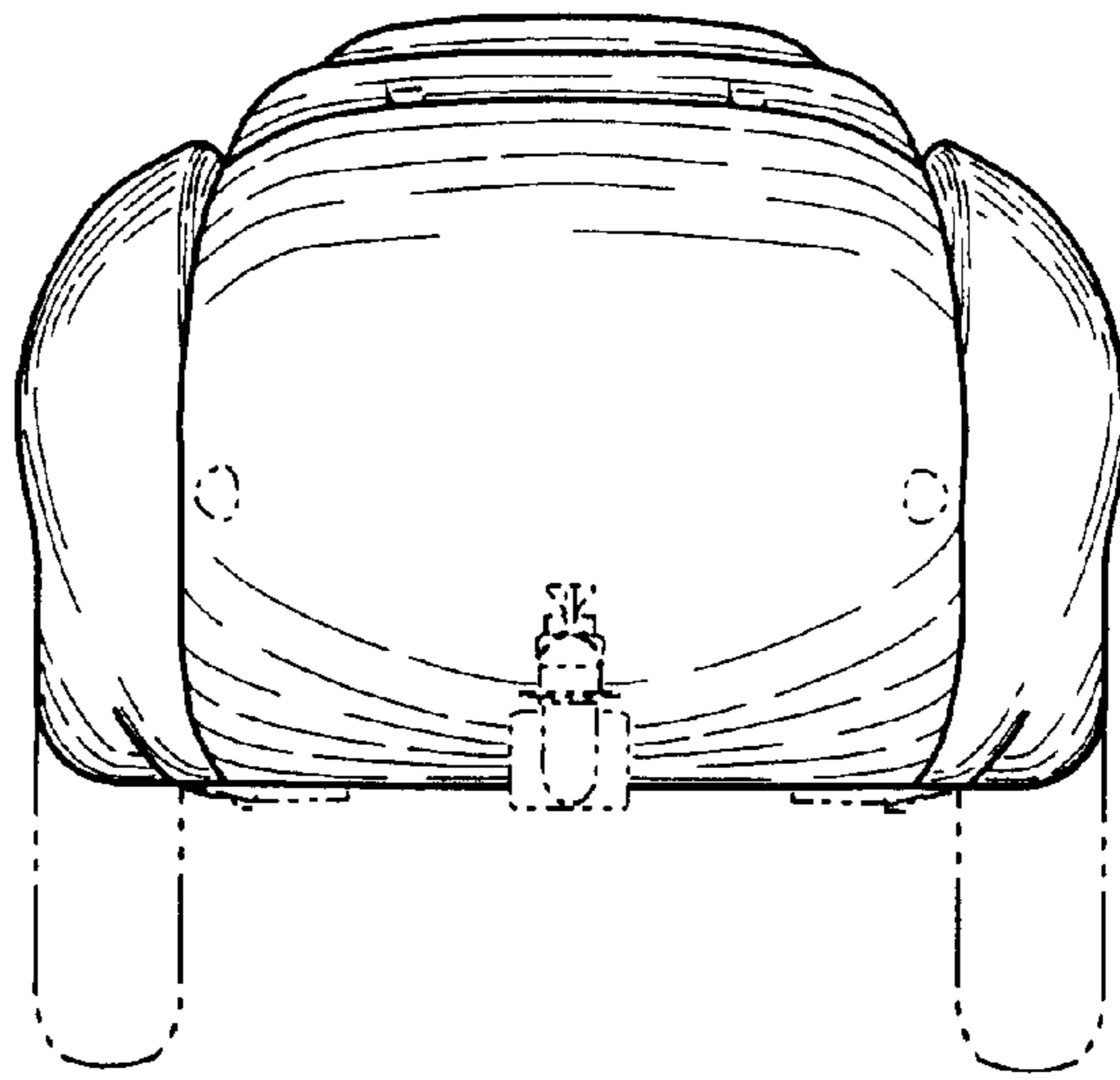


FIG. 3

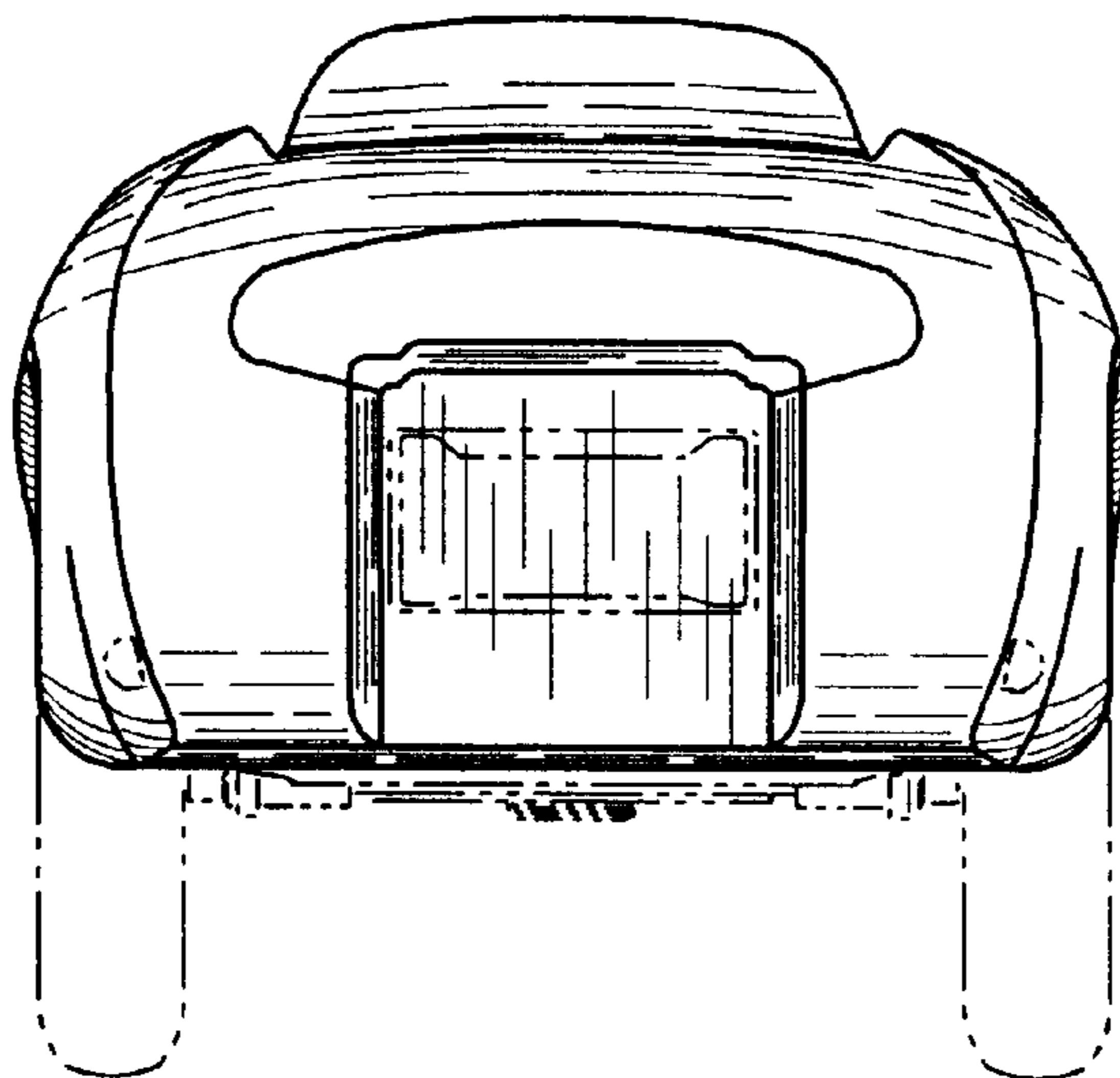


FIG. 4

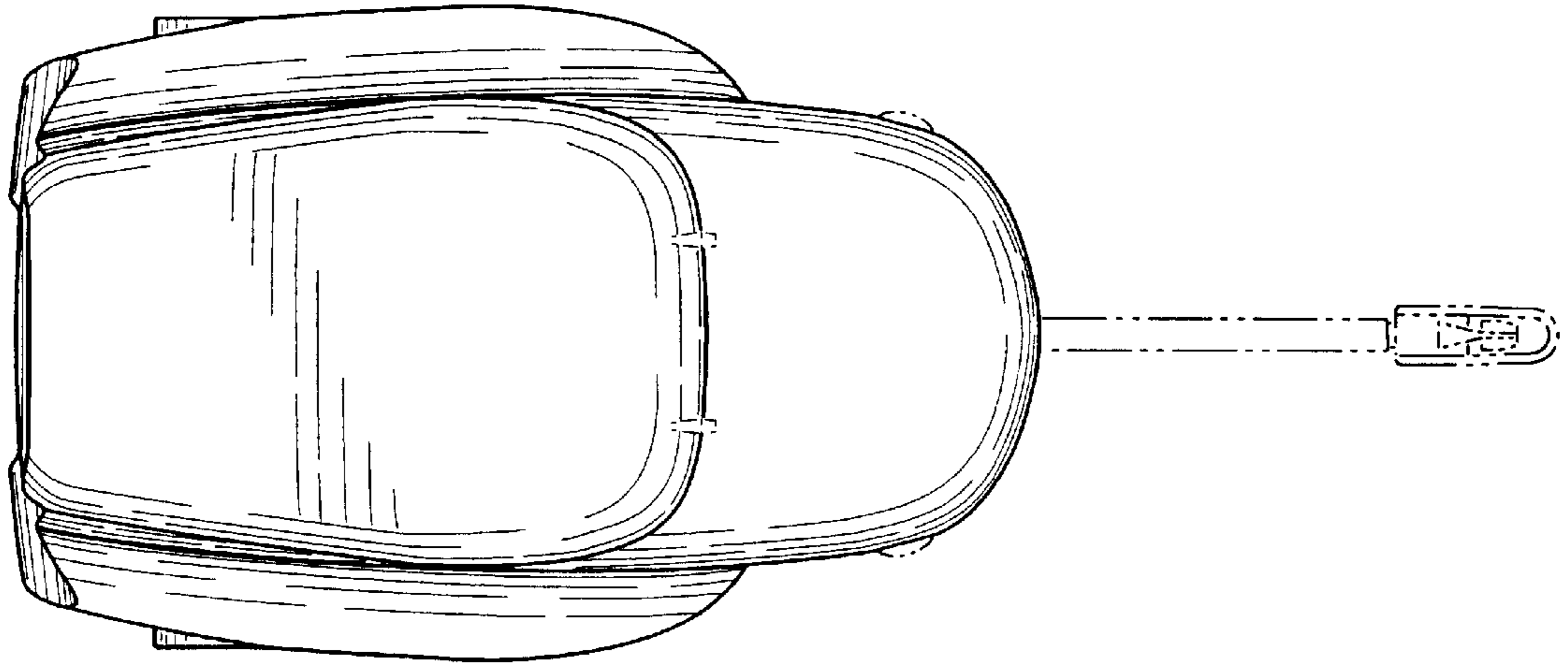


FIG. 5

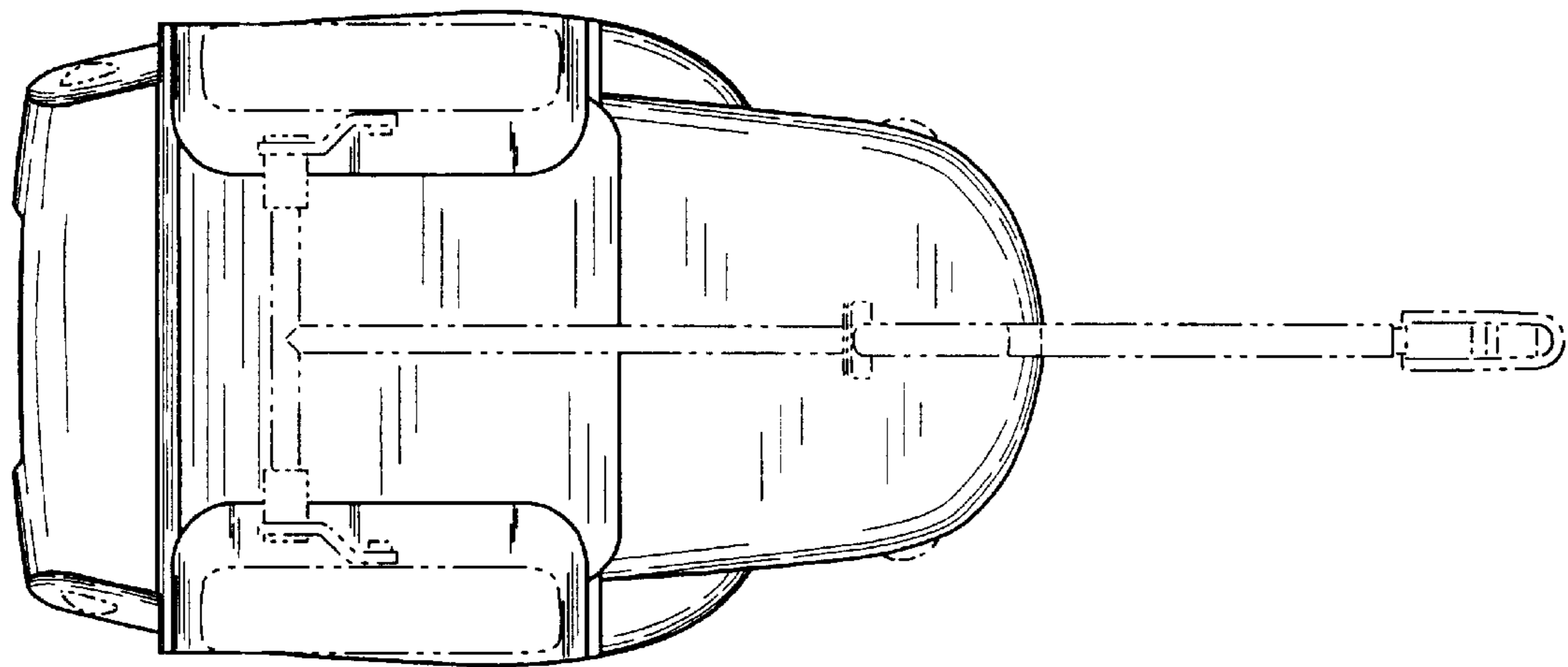


FIG. 6

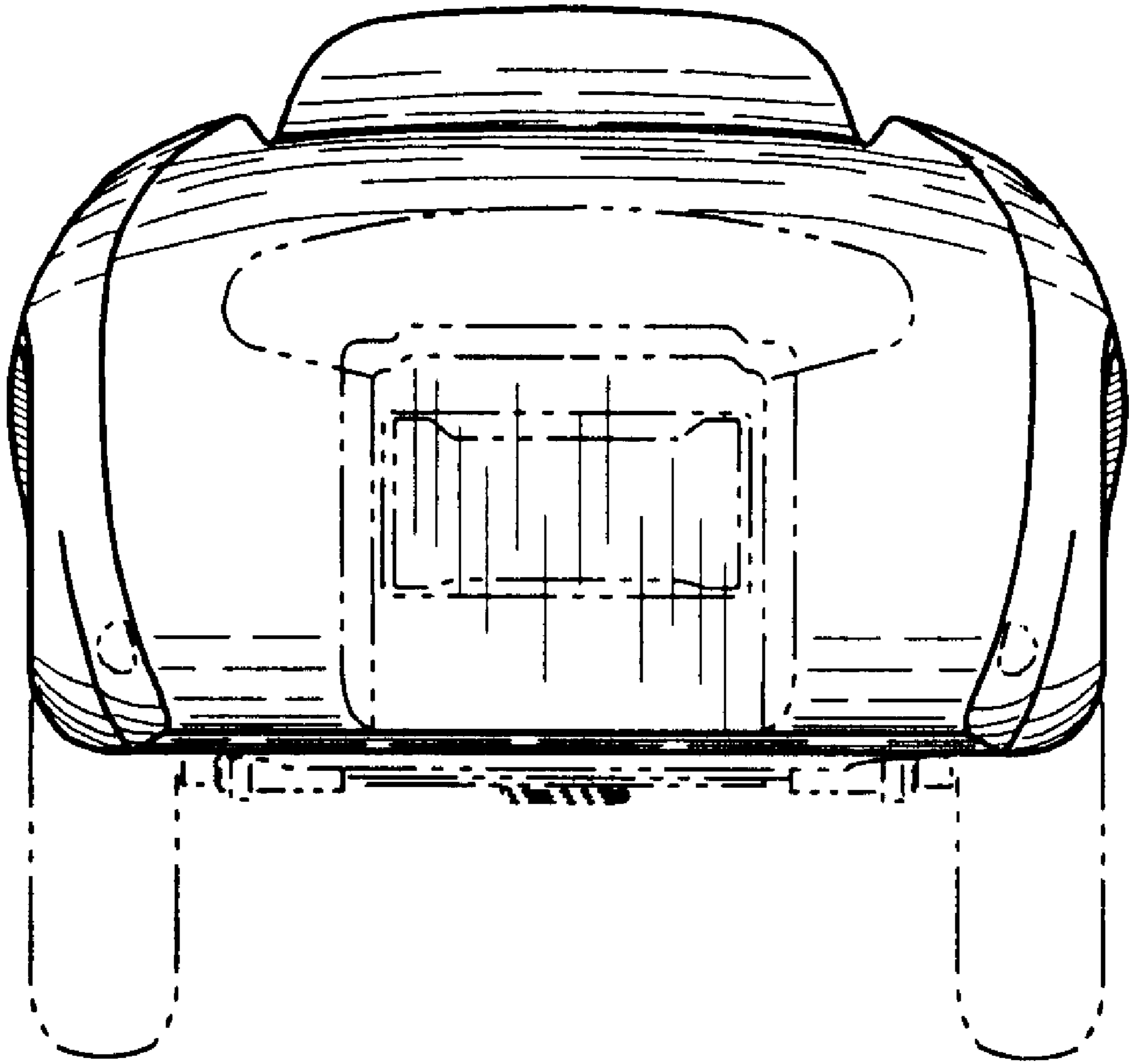


FIG. 7