



US00D486095S

(12) **United States Design Patent**
Taniko et al.

(10) **Patent No.:** **US D486,095 S**

(45) **Date of Patent:** **** Feb. 3, 2004**

(54) **AUTOMOBILE**

(75) Inventors: **Masatomo Taniko**, Aichi-ken (JP);
Katsuhiko Inatomi, Aichi-ken (JP);
Hirofumi Hokao, Aichi-ken (JP);
Hiroshi Okamoto, Aichi-ken (JP)

(73) Assignee: **Toyota Jidosha Kabushiki Kaisha** (JP)

(**) Term: **14 Years**

(21) Appl. No.: **29/176,540**

(22) Filed: **Feb. 24, 2003**

(30) **Foreign Application Priority Data**

Nov. 29, 2002 (JP) 2002-033109

(51) **LOC (7) Cl.** **12-08**

(52) **U.S. Cl.** **D12/92**

(58) **Field of Search** D12/90-92, 86;
296/185

(56) **References Cited**

U.S. PATENT DOCUMENTS

D469,038 S	*	1/2003	Mattin et al.	D12/91
D476,269 S	*	6/2003	Suzuki et al.	D12/91
D476,600 S	*	7/2003	Tamiya et al.	D12/92
D477,252 S	*	7/2003	Otsubo et al.	D12/92

OTHER PUBLICATIONS

2001 Nissan PRIMERA; Automotive Guidebook of Japan vol. 48; Oct. 24, 2001; pp. 120 and 294.

2001 Honda STREAM; Automotive Guidebook of Japan vol. 48; Oct. 24, 2001; pp. 80 and 273.

2001 Mercedes C200; Imported Cars Guide Book 2002; Oct. 24, 2001, p. 121.

* cited by examiner

Primary Examiner—Melody N. Brown

(74) *Attorney, Agent, or Firm*—SAIDMAN DesignLaw Group

(57) **CLAIM**

The ornamental design for an automobile, as shown and described.

DESCRIPTION

FIG. 1 is a front perspective view of an automobile showing our new design;

FIG. 2 is a rear perspective view thereof;

FIG. 3 is a right side view, the left being a mirror image thereof;

FIG. 4 is a top view thereof;

FIG. 5 is a front view thereof; and,

FIG. 6 is a rear view thereof.

1 Claim, 2 Drawing Sheets





FIG. 1



FIG. 2

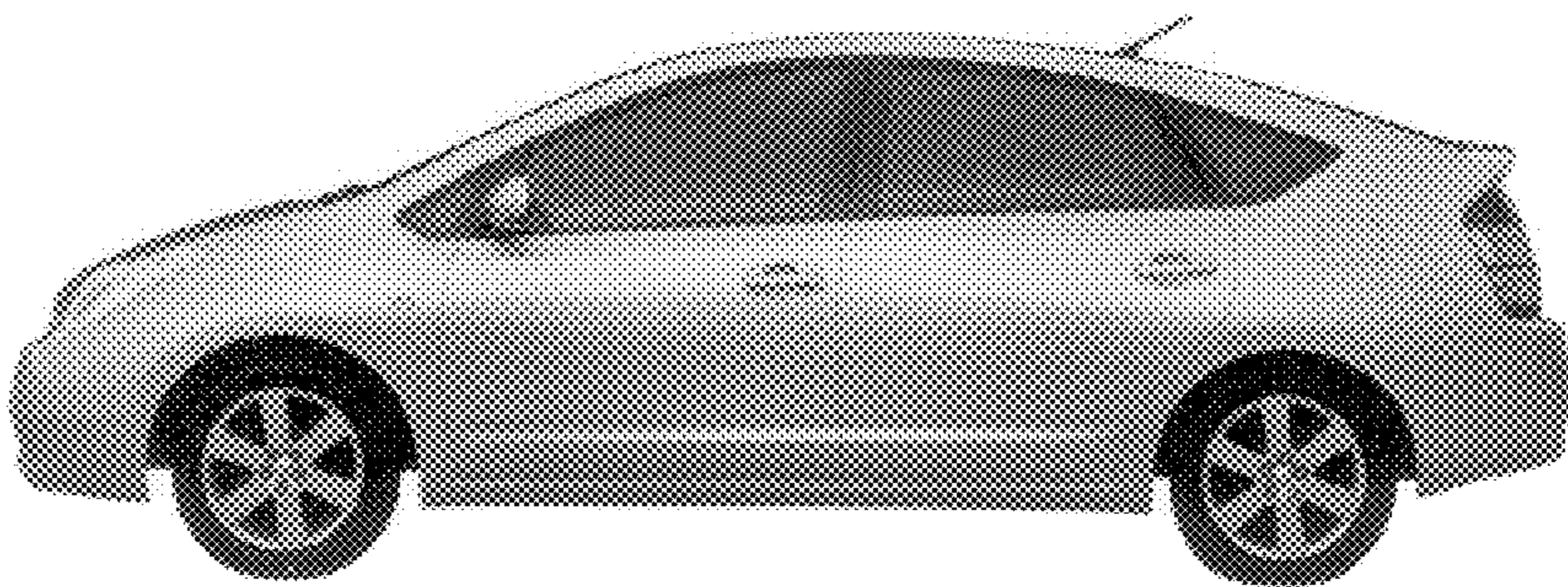


FIG. 3

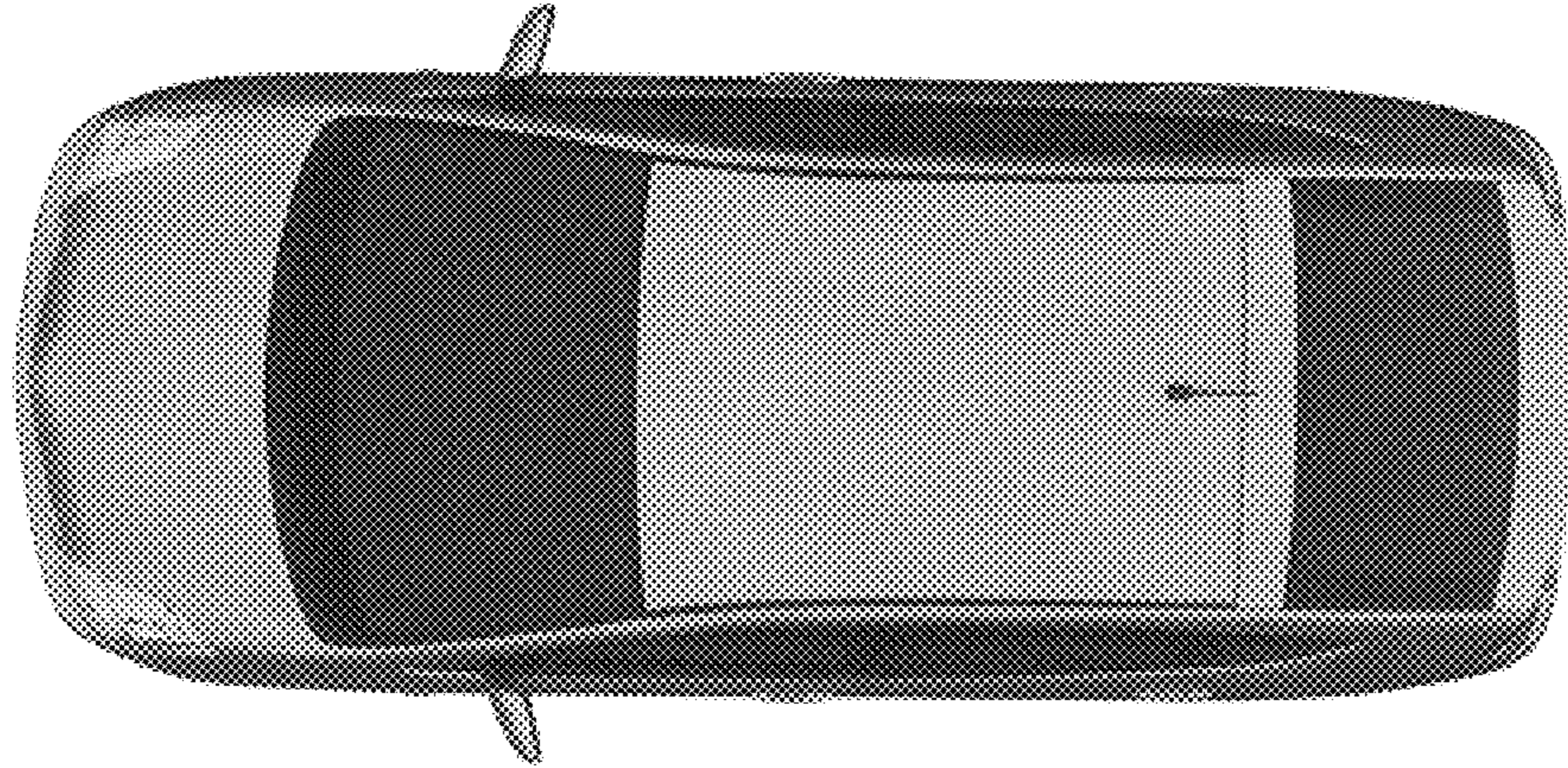


FIG. 4

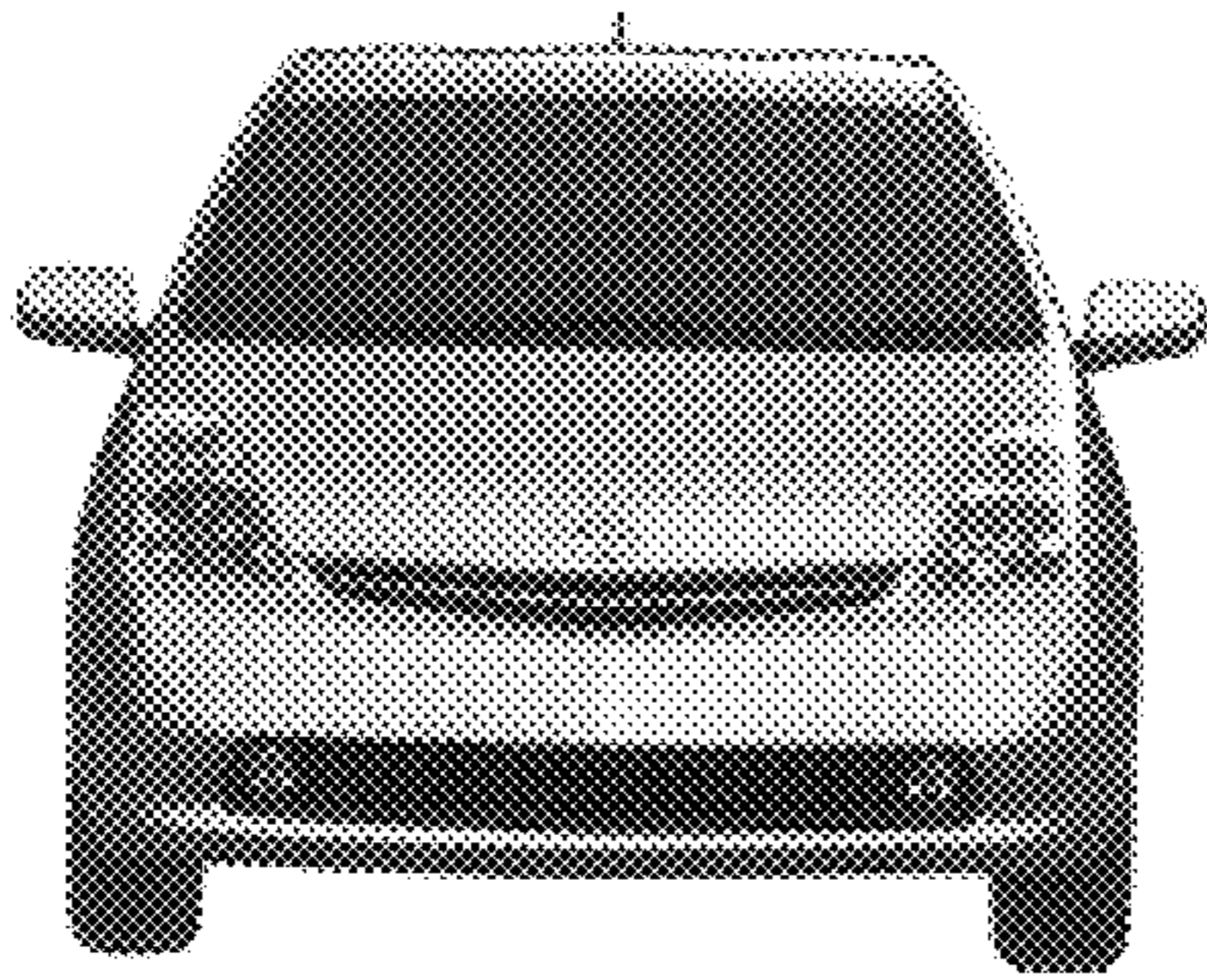


FIG. 5

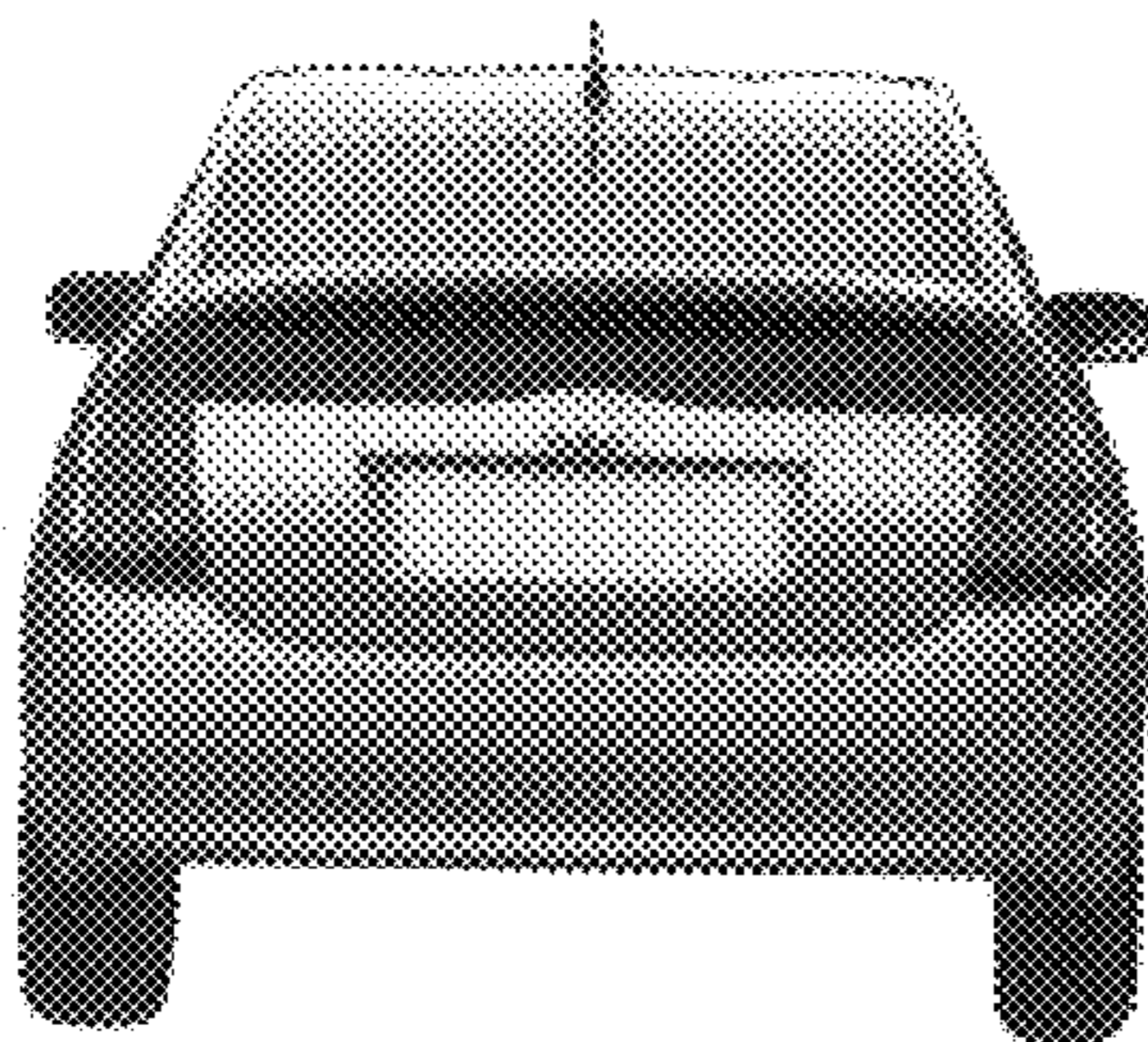


FIG. 6