



US00D486093S

(12) **United States Design Patent**  
**Tobergte**

(10) **Patent No.:** **US D486,093 S**

(45) **Date of Patent:** **\*\* Feb. 3, 2004**

(54) **CHIN STRAP BUCKLE**

(76) **Inventor:** **Edward H. Tobergte**, 2439 Henesy  
La., Fairfield, OH (US) 45014

(\*\*) **Term:** **14 Years**

(21) **Appl. No.:** **29/147,550**

(22) **Filed:** **Aug. 30, 2001**

(51) **LOC (7) Cl.** ..... **02-07**

(52) **U.S. Cl.** ..... **D11/218**

(58) **Field of Search** ..... D11/200, 218,  
D11/216, 220; 24/323, 324, 586.11, 180

(56) **References Cited**

**U.S. PATENT DOCUMENTS**

3,237,257	A	*	3/1966	Forsberg	.....	24/324
D301,566	S	*	6/1989	Heiberger	.....	D11/218
5,259,096	A	*	11/1993	Grant	.....	24/324
D445,724	S	*	7/2001	Kung	.....	D11/218

**OTHER PUBLICATIONS**

Schutt Sports Group Catalog, published by Schutt Sports Group, 1991, p. 10.

Schutt Sports Group Catalog, published by Schutt Sports Group, 1995, p. 8.

All Plastic Buckle (model)—Sold by Schutt Mfg. Litchfield, Illinois.

Plastic Buckle with metal ring (model)—Sold by Athletic Specialties Co., Chicago, Illinois.

All Metal Buckle (model)—Sold by Riddell, Inc. and Athletic Specialties Co., among others.

\* cited by examiner

*Primary Examiner*—Louis S. Zarfes

*Assistant Examiner*—Gregory Andoll

(74) *Attorney, Agent, or Firm*—Chase Law Firm, L.C.

(57) **CLAIM**

The ornamental design for a chin strap buckle, as shown and described.

**DESCRIPTION**

FIG. 1 is a perspective view of a chin strap buckle showing my new design;

FIG. 2 is a top plan view of a chin strap buckle in accordance with the claimed design;

FIG. 3 is an end plan view thereof;

FIG. 4 is a side elevational view thereof;

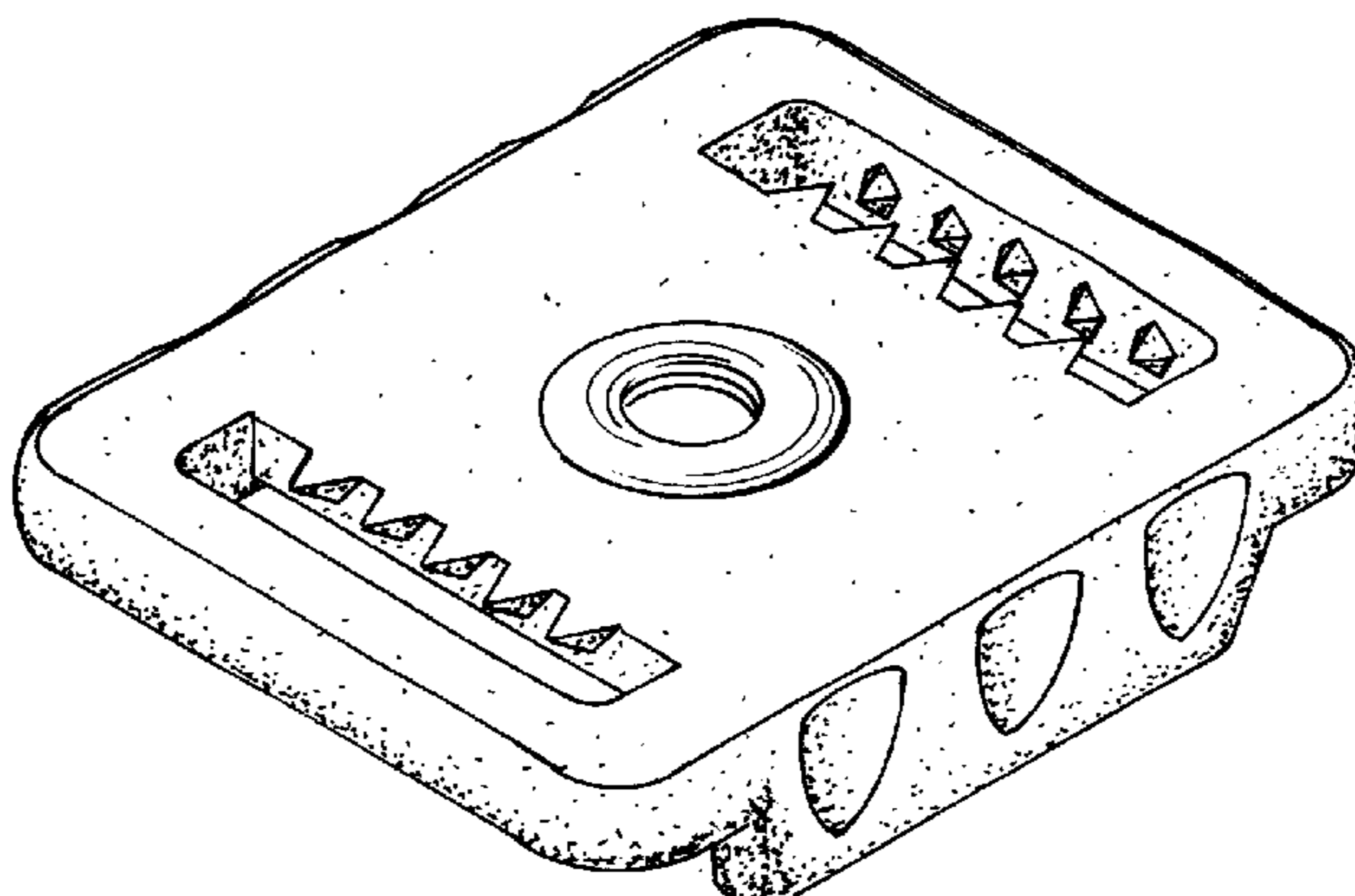
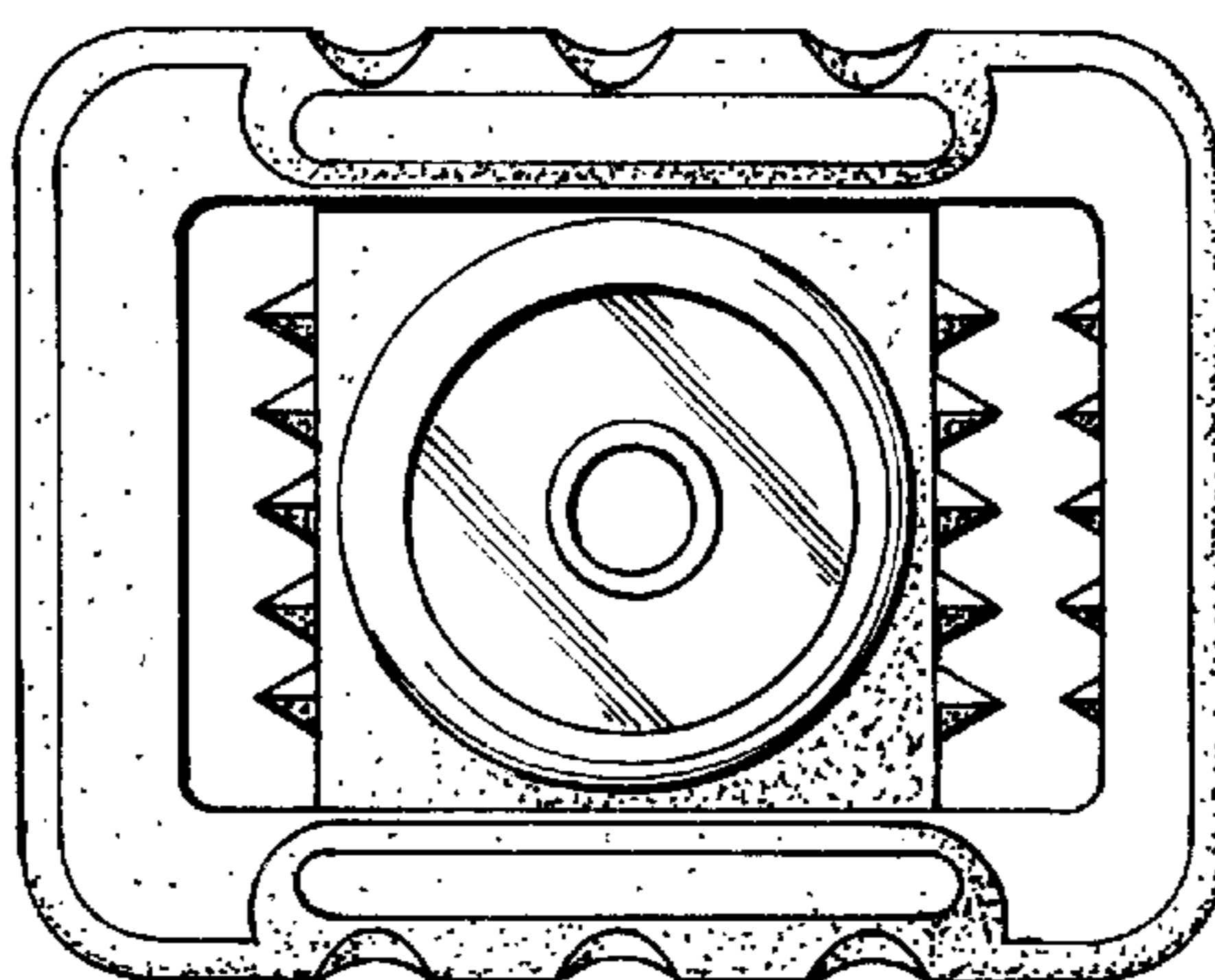
FIG. 5 is a bottom plan view thereof;

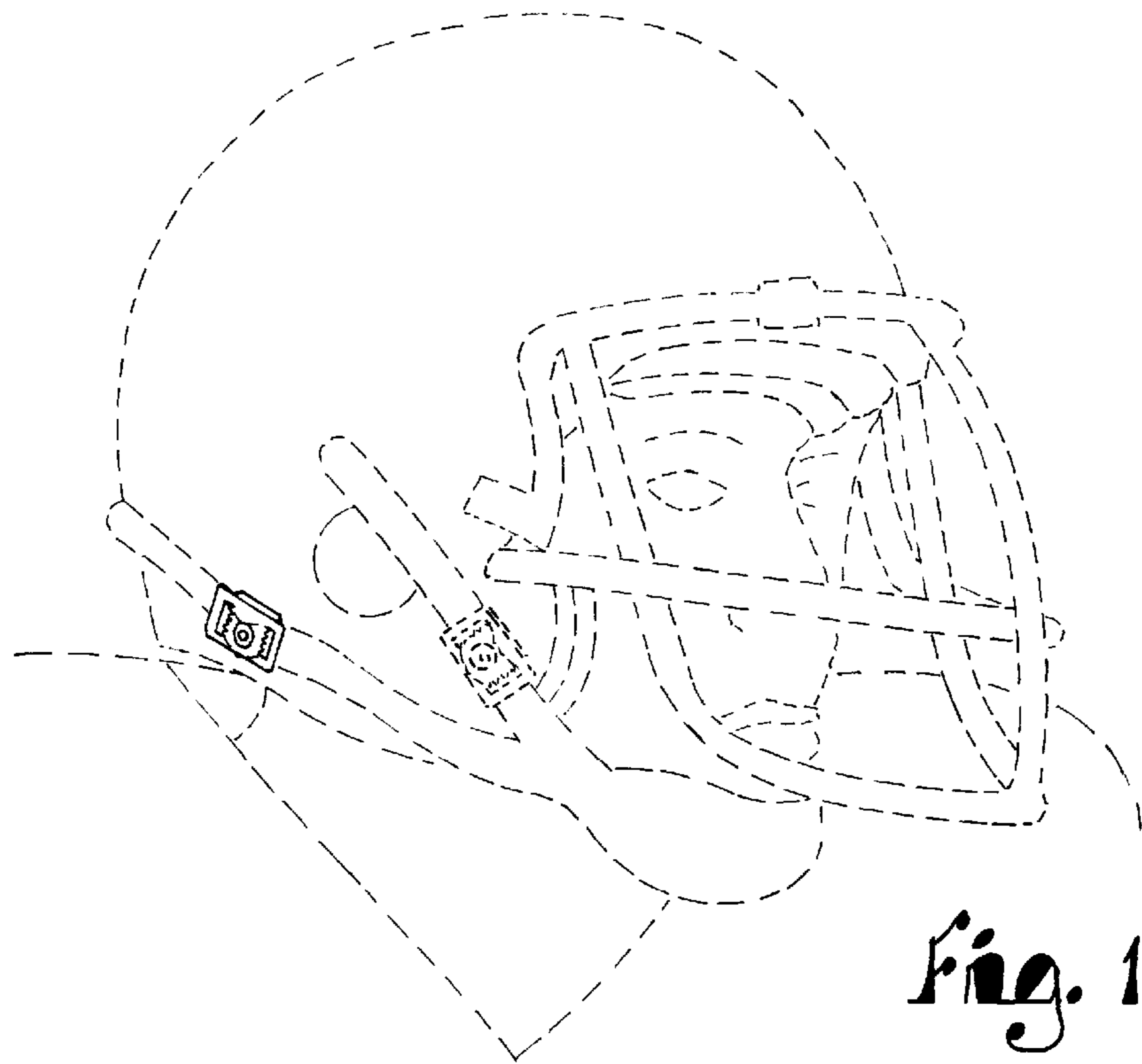
FIG. 6 is a top perspective view thereof; and,

FIG. 7 is a bottom perspective view thereof.

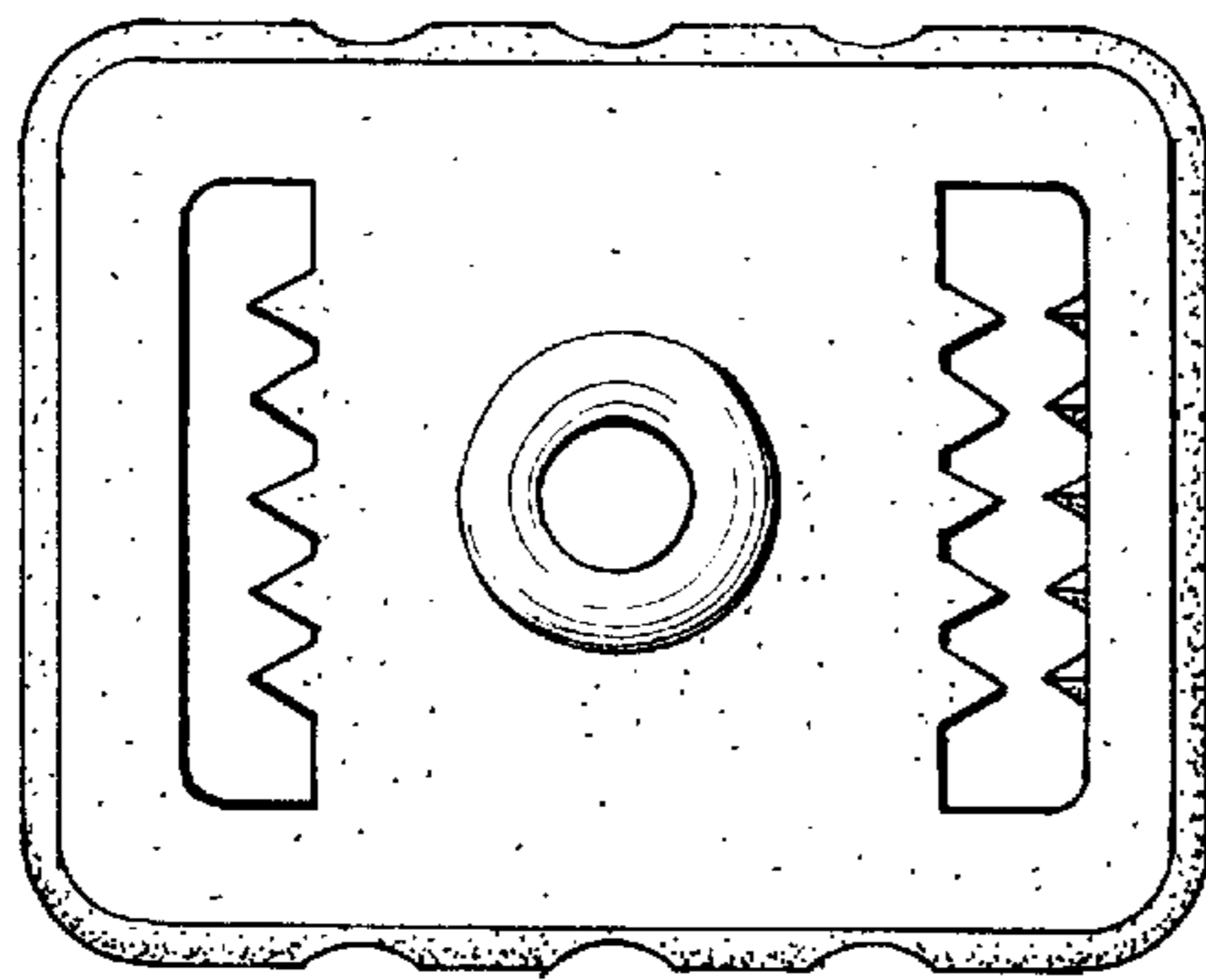
The broken lines in the FIG. 1 are for illustrative purposes only and form no part of the claimed design.

**1 Claim, 2 Drawing Sheets**

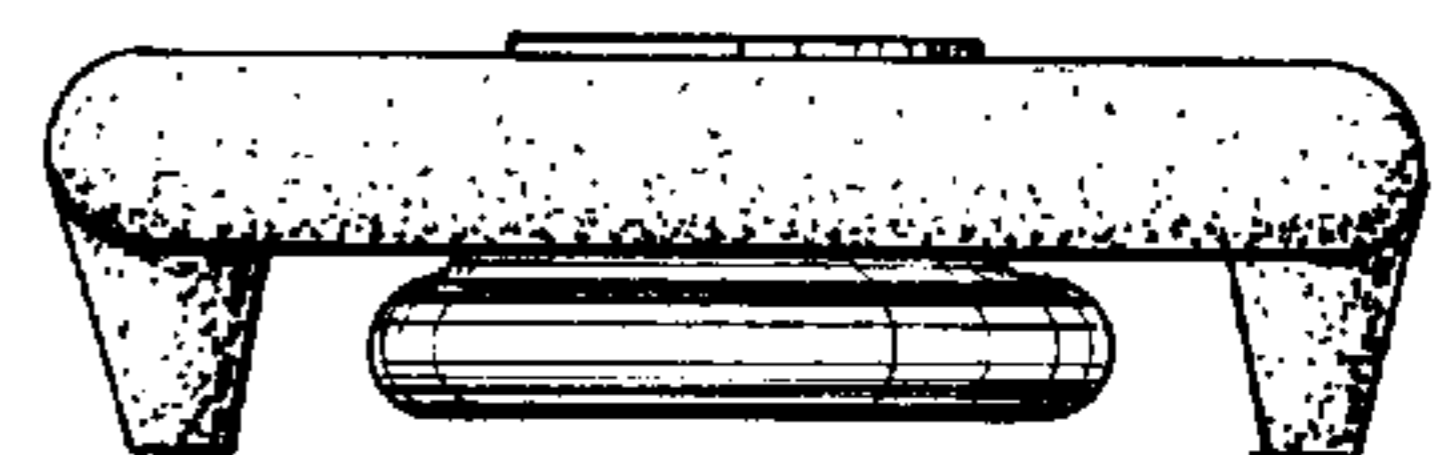




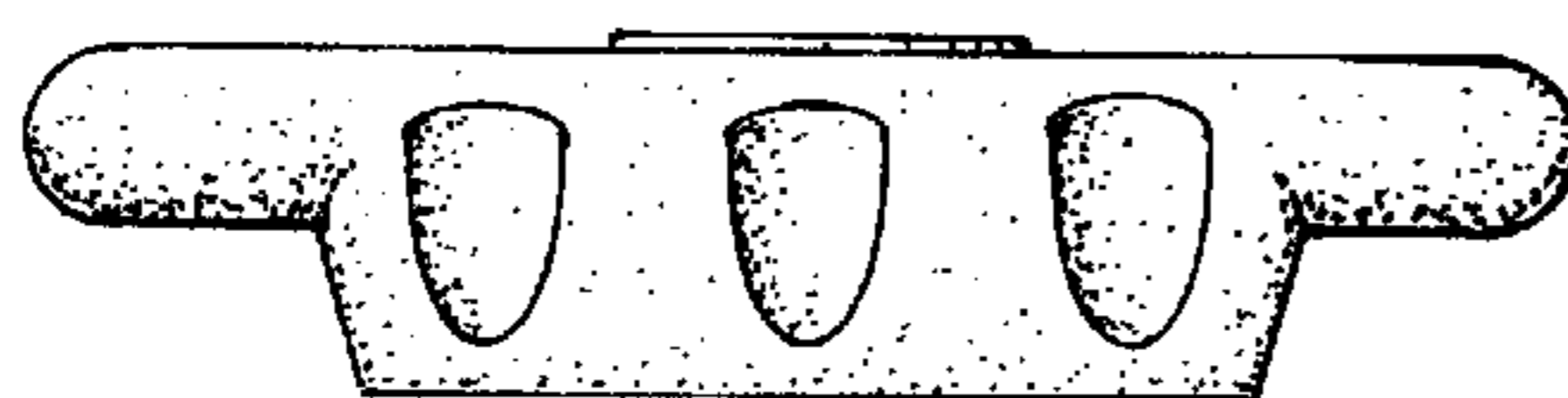
*Fig. 1*



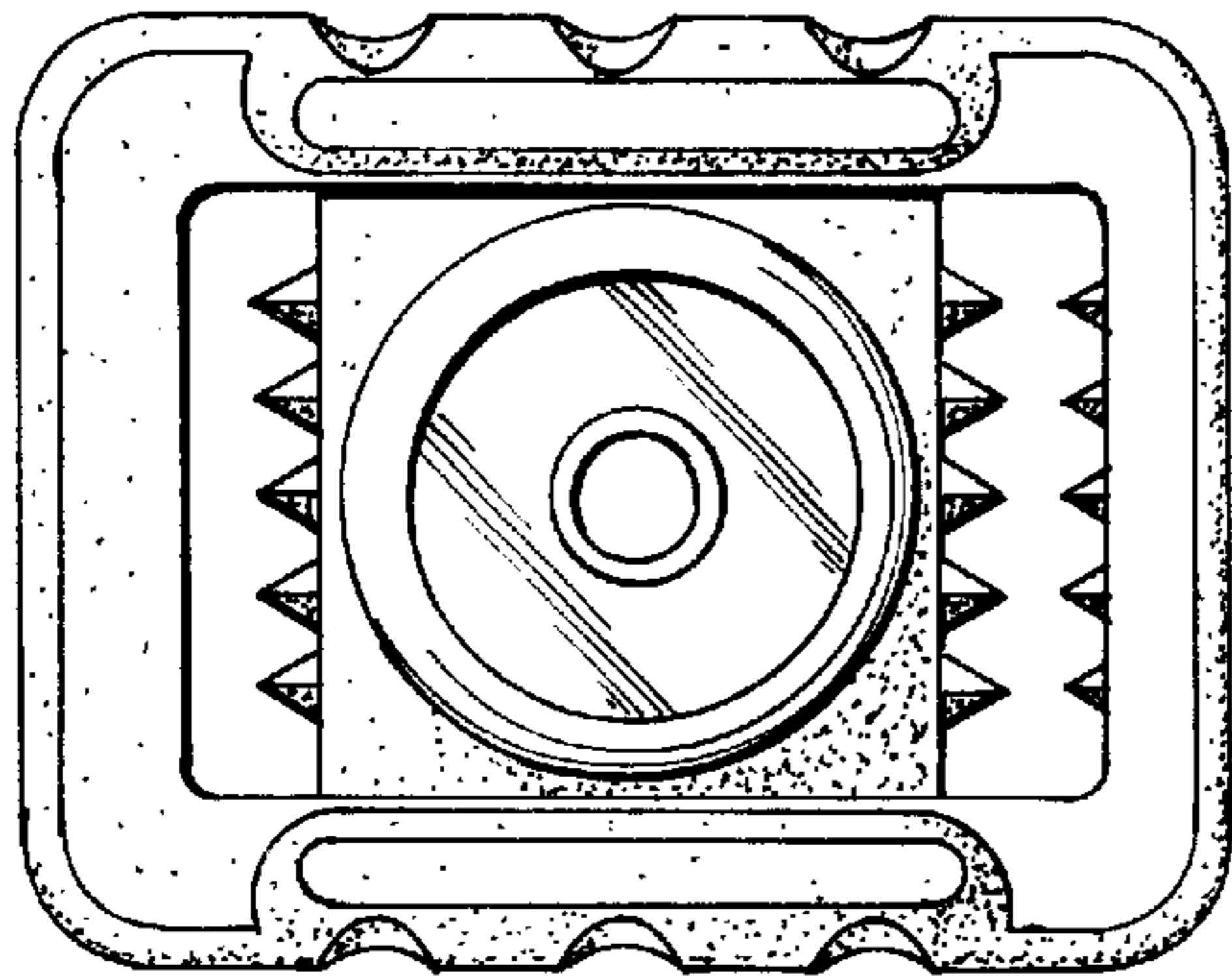
*Fig. 2*



*Fig. 4*

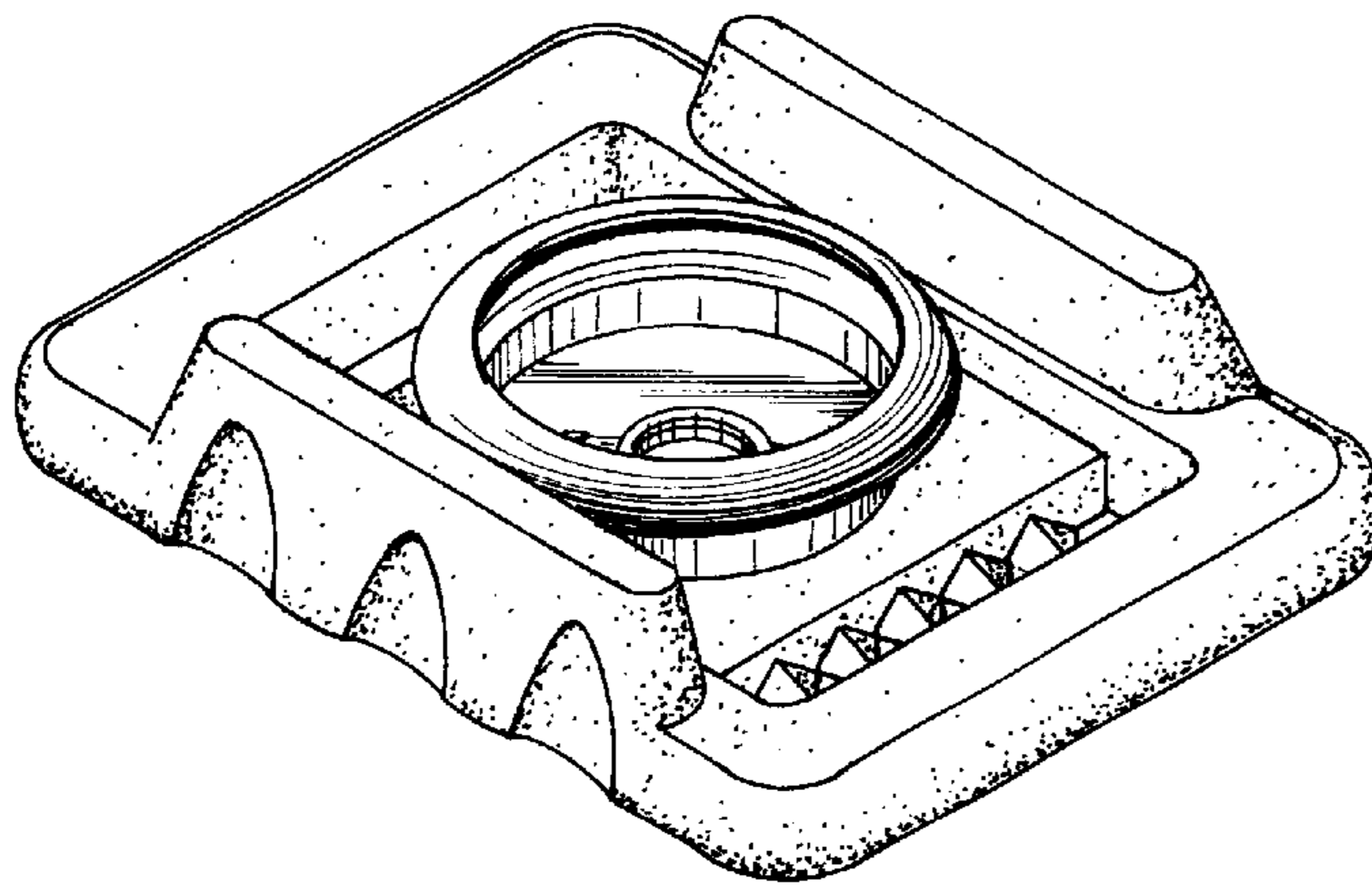
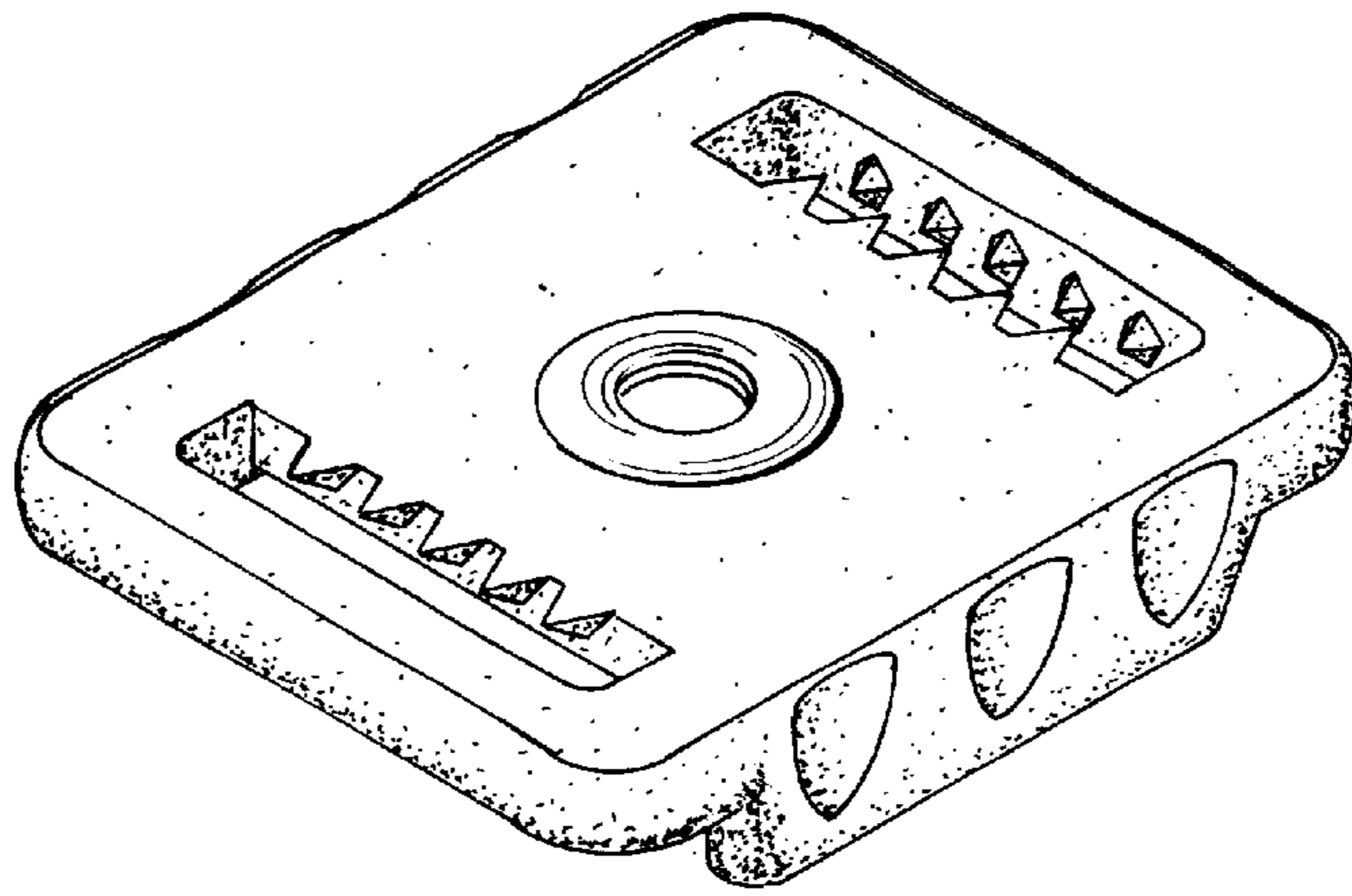


*Fig. 3*



*Fig. 5*

*Fig. 6*



*Fig. 7*