



US00D486086S

(12) **United States Design Patent**  
**Jueneman**

(10) **Patent No.:** **US D486,086 S**

(45) **Date of Patent:** **\*\* Feb. 3, 2004**

(54) **END HOOK OF A TAPE MEASURE**

(76) Inventor: **Michael Jueneman**, 7126 Timothy St.,  
Anchorage, AK (US) 99502

(\*\*) Term: **14 Years**

(21) Appl. No.: **29/172,766**

(22) Filed: **Dec. 18, 2002**

**Related U.S. Application Data**

(60) Division of application No. 09/686,649, filed on Oct. 10,  
2000, which is a continuation-in-part of application No.  
09/541,491, filed on Apr. 3, 2000, now abandoned.

(60) Provisional application No. 60/164,475, filed on Nov. 10,  
1999.

(51) **LOC (7) Cl.** ..... **10-04**

(52) **U.S. Cl.** ..... **D10/74**

(58) **Field of Search** ..... D10/72, 74; 33/775-770

(56) **References Cited**

**U.S. PATENT DOCUMENTS**

3,131,480 A \* 5/1964 Quenot ..... 33/770  
5,010,657 A \* 4/1991 Knapp ..... 33/770

\* cited by examiner

*Primary Examiner*—Antoine Duval Davis

(74) *Attorney, Agent, or Firm*—Angenehm Law Firm; N  
Paul Friederichs

(57) **CLAIM**

The ornamental design for an end hook of a tape measure,  
as shown and described.

**DESCRIPTION**

The end hook of the present invention may have varying  
outer housings as is indicated by dashed lines. One skilled  
in the art will recognize that changes in shape may be made  
along the perimeter of the end hook without departing from  
the spirit and scope of the present invention.

FIG. 1 is a perspective view of the present invention;

FIG. 2 is a side view of the present invention;

FIG. 3 is a side view of the present invention opposite that  
of FIG. 2;

FIG. 4 is a front view of the present invention;

FIG. 5 is a back view of the present invention;

FIG. 6 is a top view of the present invention;

FIG. 7 is a bottom view of the present invention; and,

FIG. 8 is a perspective view of the present invention.

**1 Claim, 3 Drawing Sheets**

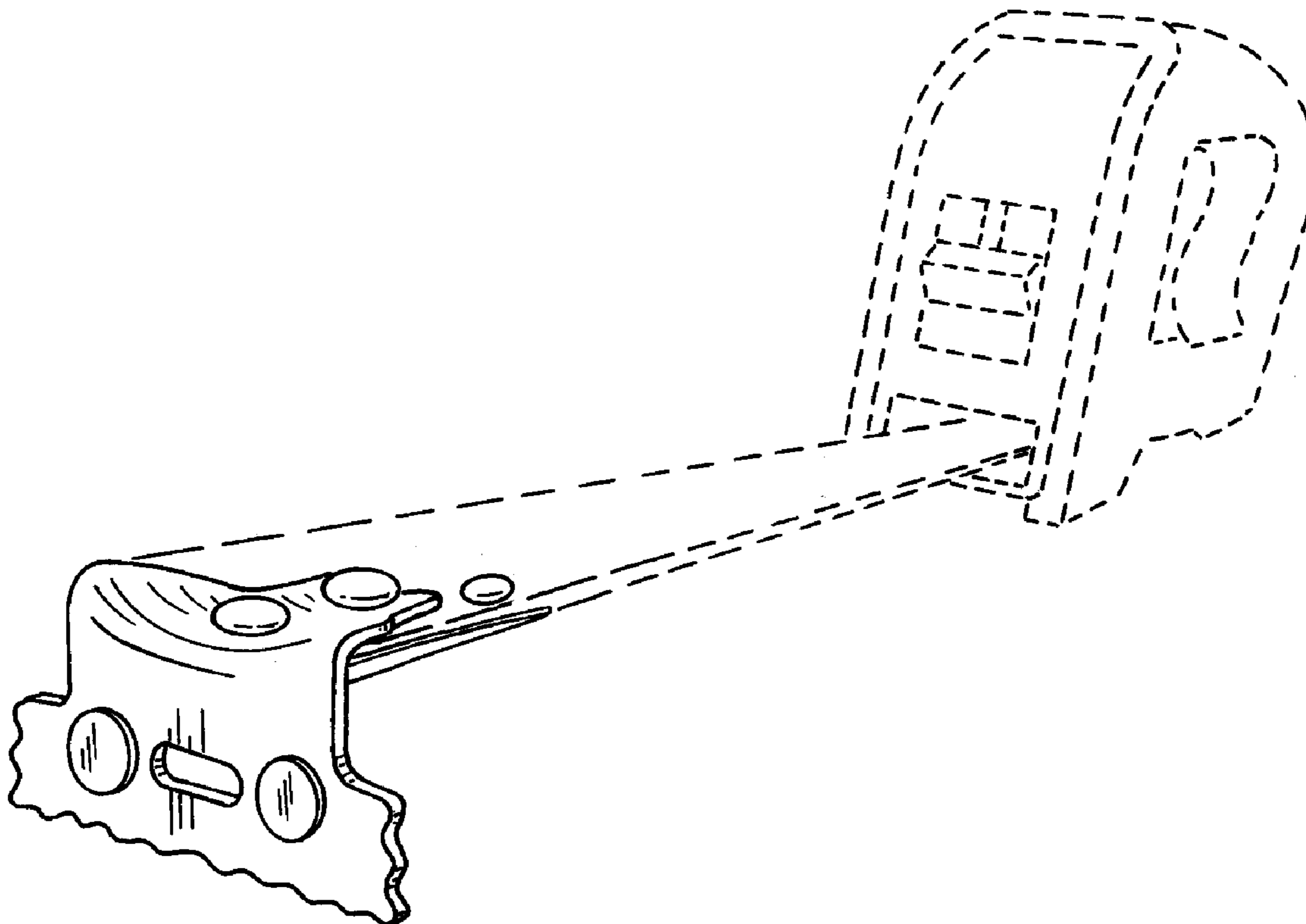


FIG. 1

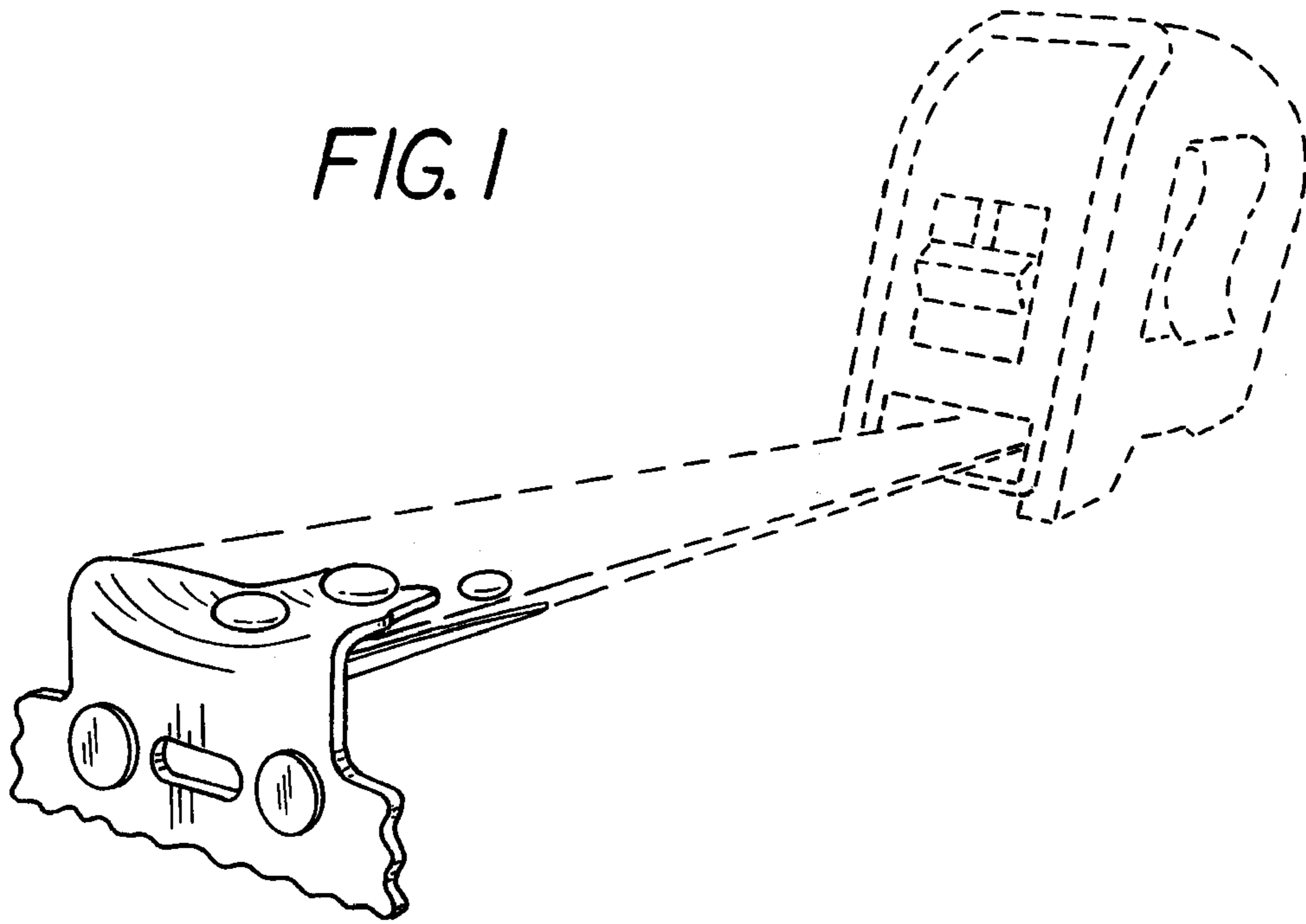
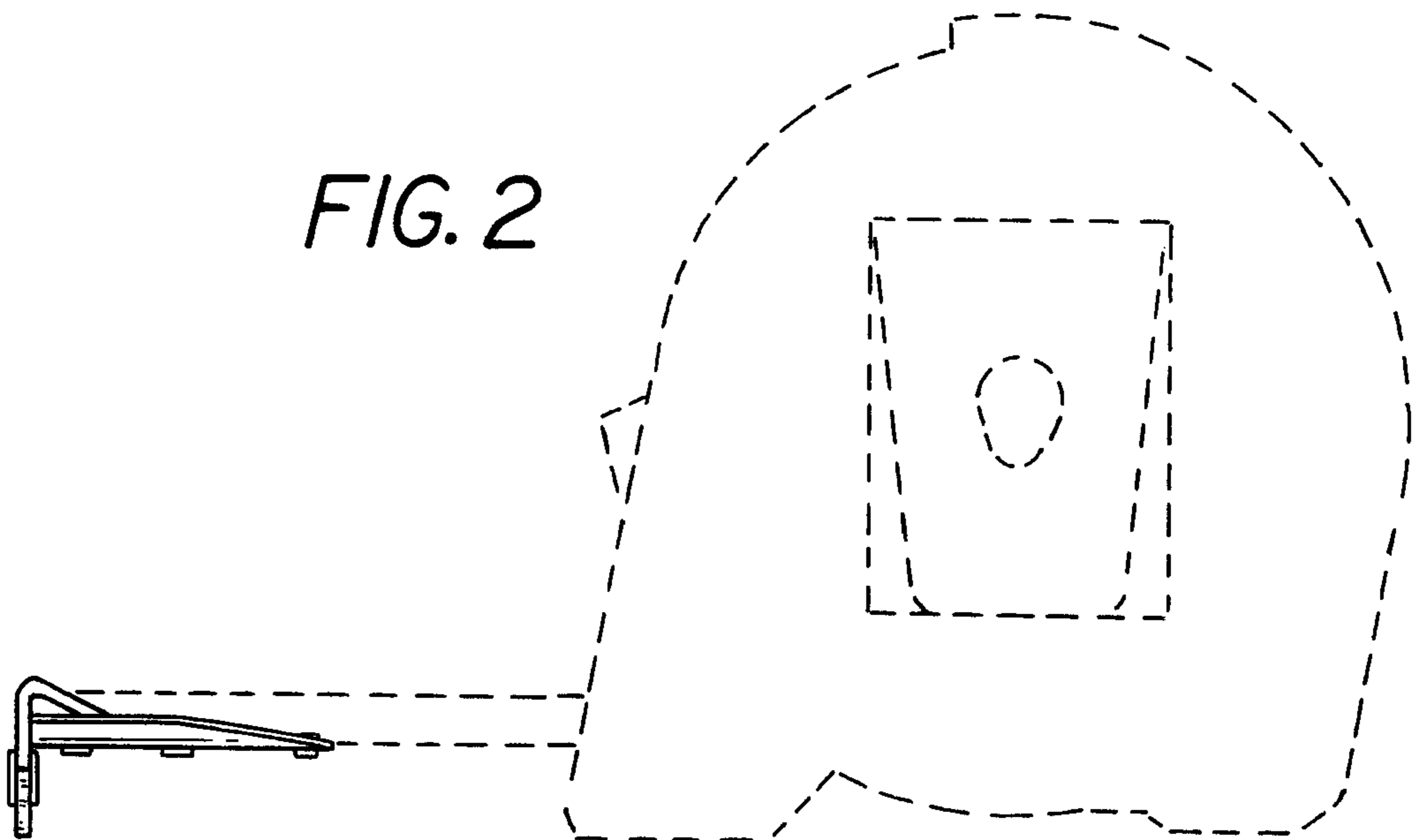


FIG. 2



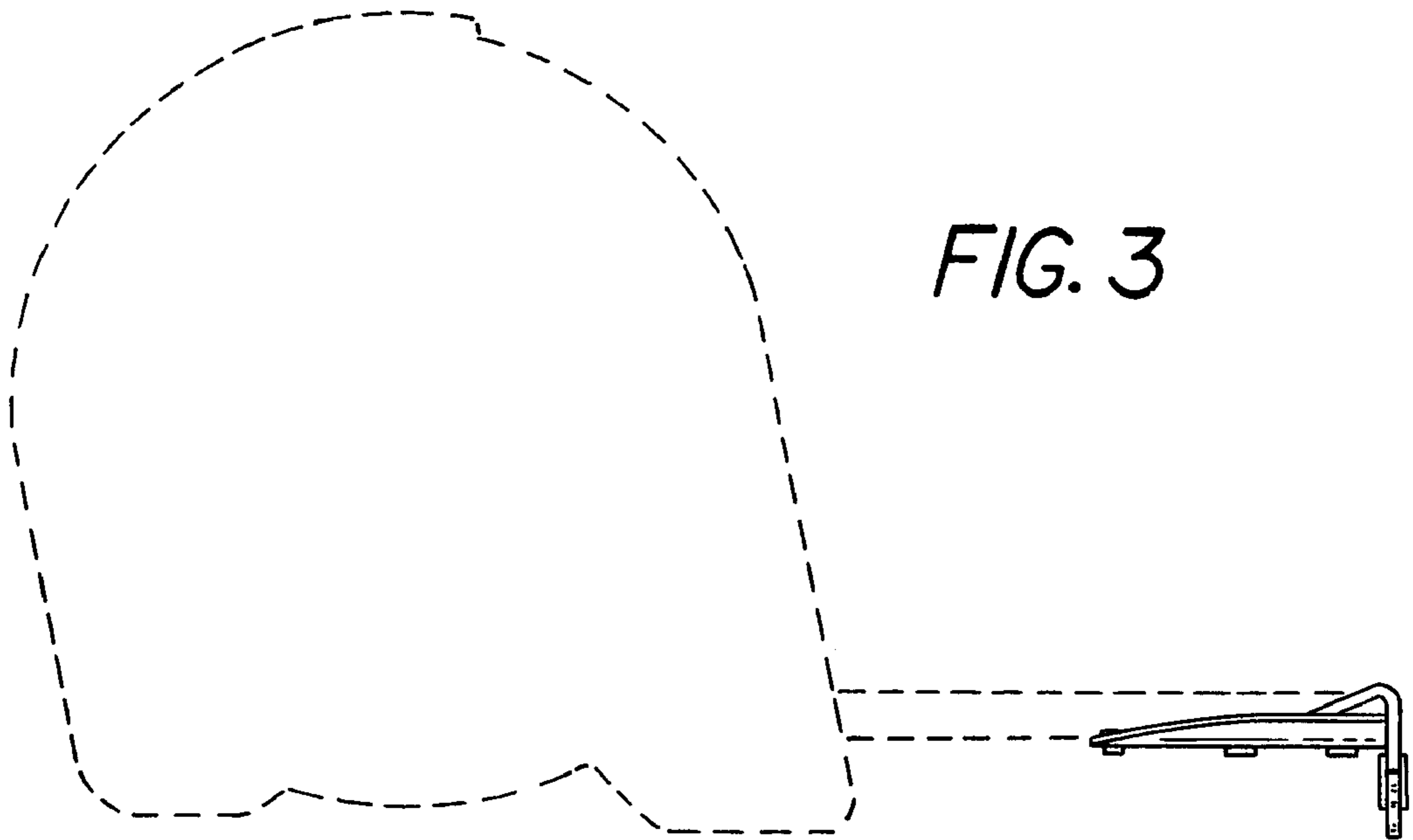


FIG. 4

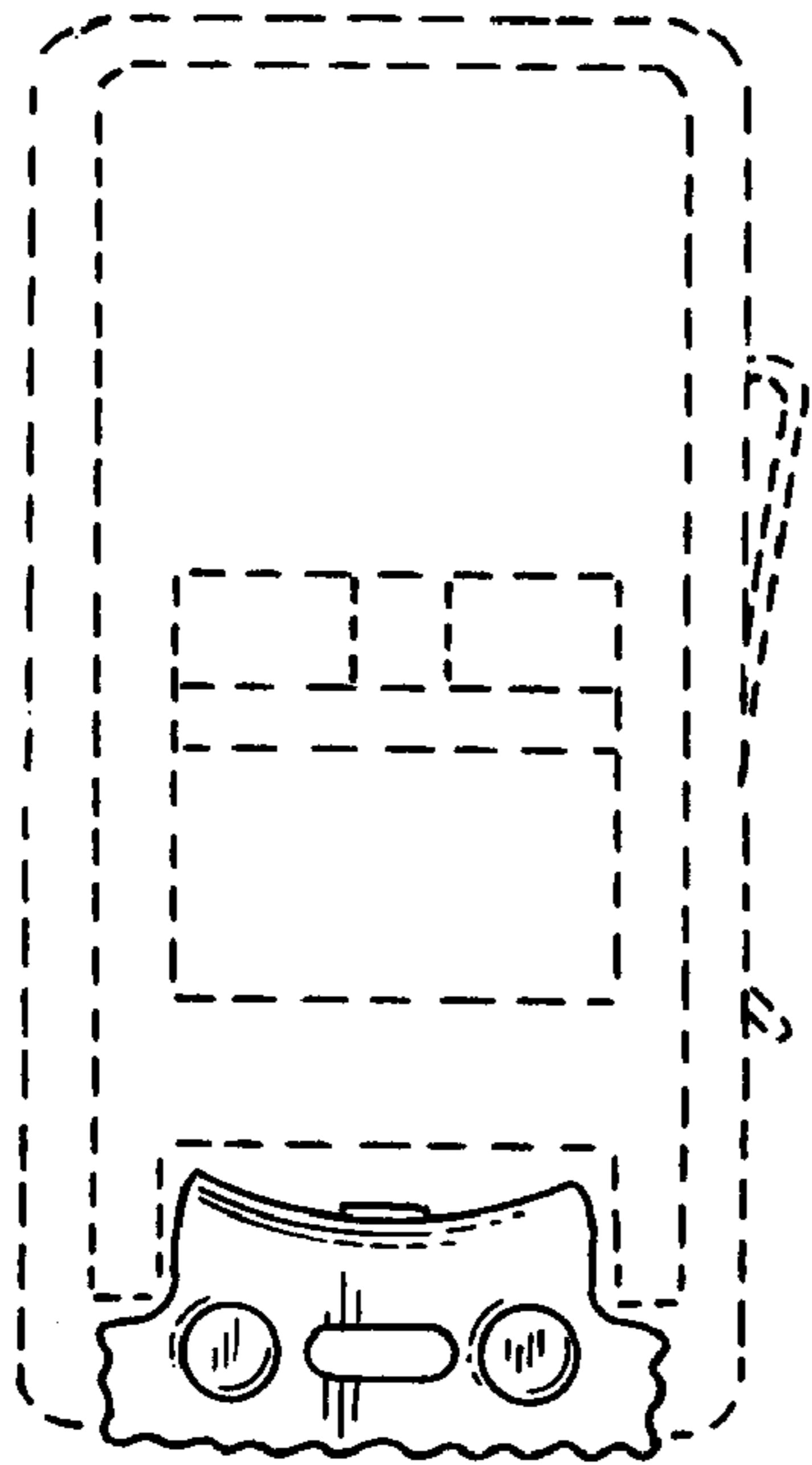


FIG. 5

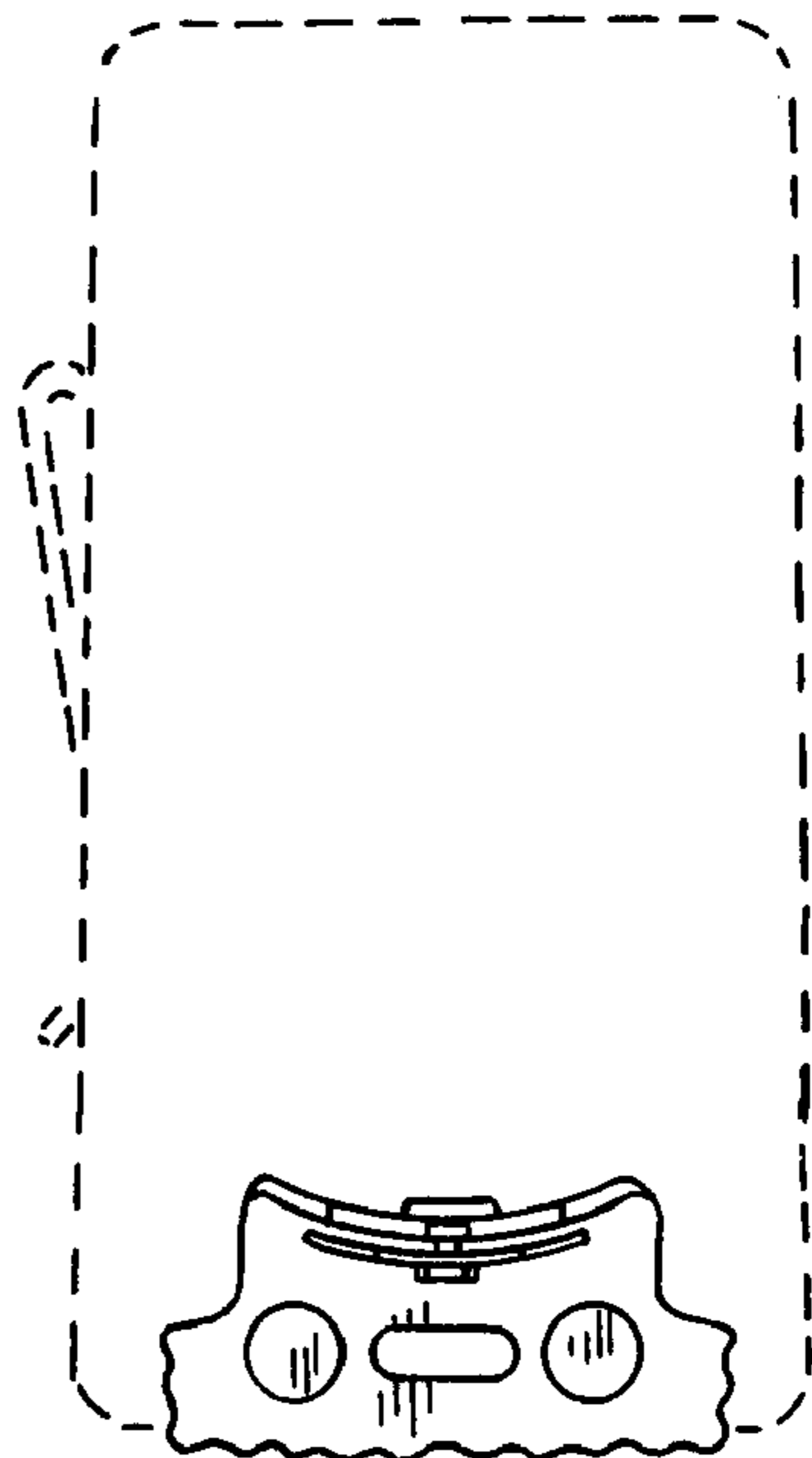


FIG. 6

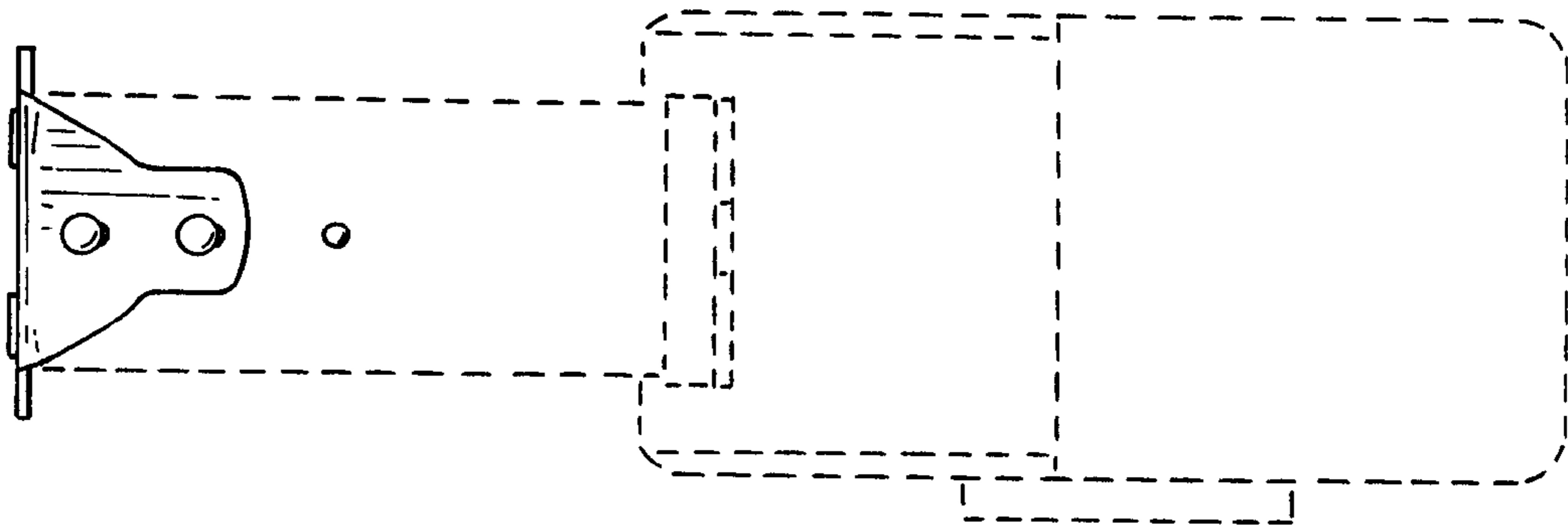


FIG. 7

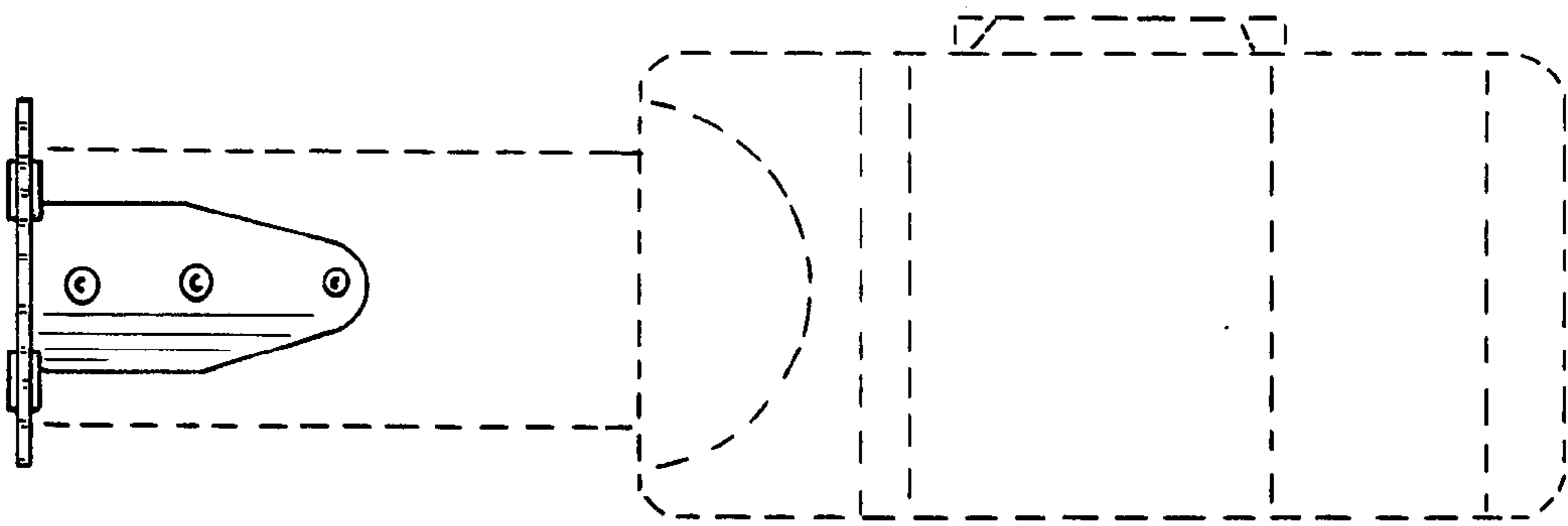


FIG. 8

