



US00D486084S

(12) **United States Design Patent**
Kun, Sr. et al.

(10) **Patent No.:** **US D486,084 S**

(45) **Date of Patent:** **** Feb. 3, 2004**

(54) **WATER LEVEL**

4,914,823 A * 4/1990 Harris 33/378

(76) Inventors: **Attila Kun, Sr.**, Abigstrasse 11,
D-88662 Uberlingen (DE); **Attila Kun,
Jr.**, Abigstrasse 11, D-88662 Uberlingen
(DE)

* cited by examiner

Primary Examiner—Antoine Duval Davis
(74) *Attorney, Agent, or Firm*—Bachman & LaPointe

(**) Term: **14 Years**

(57) **CLAIM**

The ornamental design for a water level, as shown and described.

(21) Appl. No.: **29/174,421**

(22) Filed: **Jan. 17, 2003**

DESCRIPTION

(30) **Foreign Application Priority Data**

Jul. 18, 2002 (DE) 402 06 004

FIG. 1 is a perspective view of a water level in accordance with the invention;

(51) **LOC (7) Cl.** **10-04**

FIG. 2 is a top view of a water level in accordance with the invention;

(52) **U.S. Cl.** **D10/69**

FIG. 3 is a front view of a water level in accordance with the invention; and,

(58) **Field of Search** D10/69; 33/365–390

FIG. 4 is a rear view of a water level in accordance with the invention.

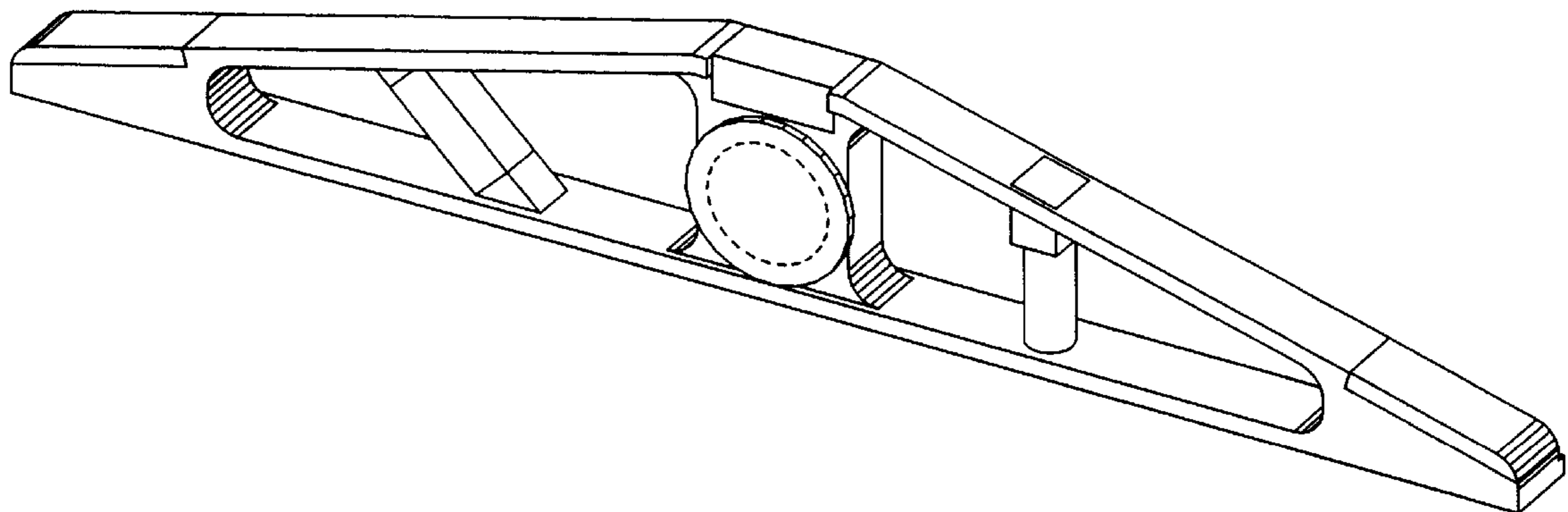
(56) **References Cited**

U.S. PATENT DOCUMENTS

2,308,081 A * 1/1943 Misz 33/387
D159,254 S * 7/1950 Daudelin D10/69

The broken line showing is for illustrative purposes only and forms no part of the claimed design.

1 Claim, 4 Drawing Sheets



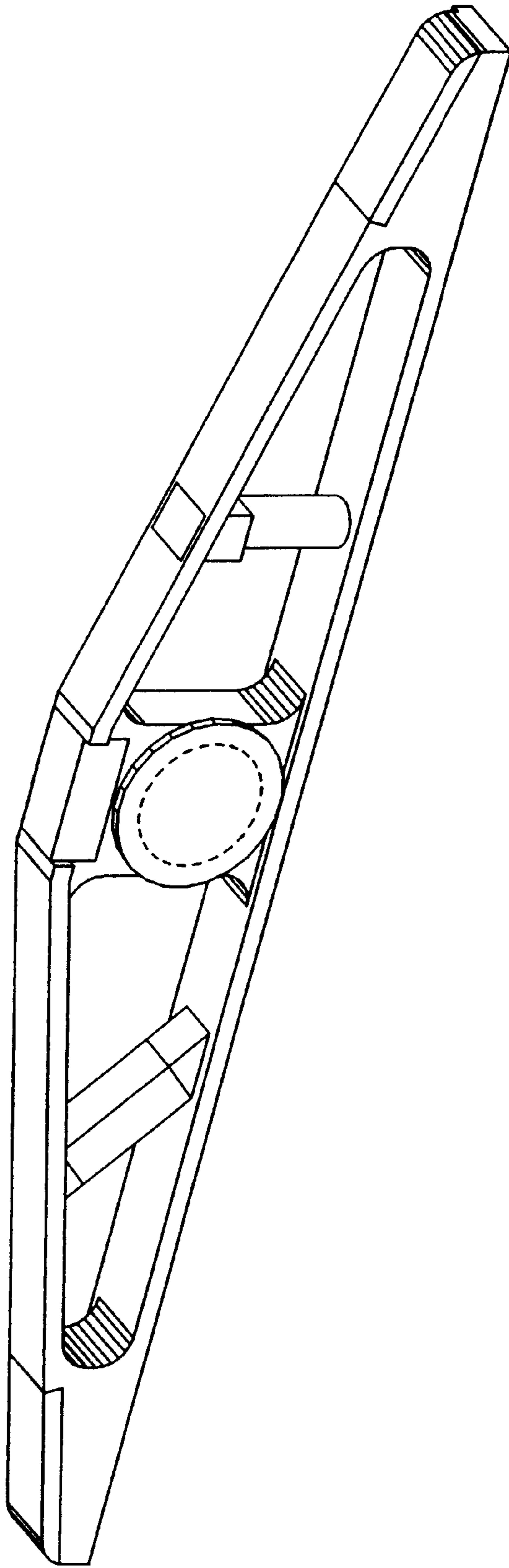


FIG. 1

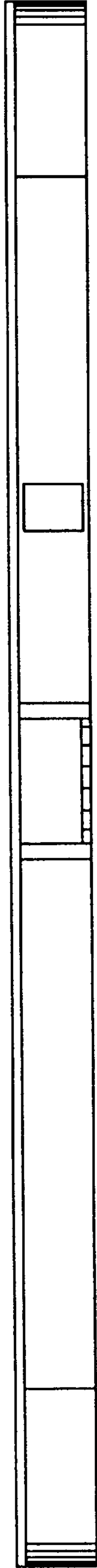


FIG. 2

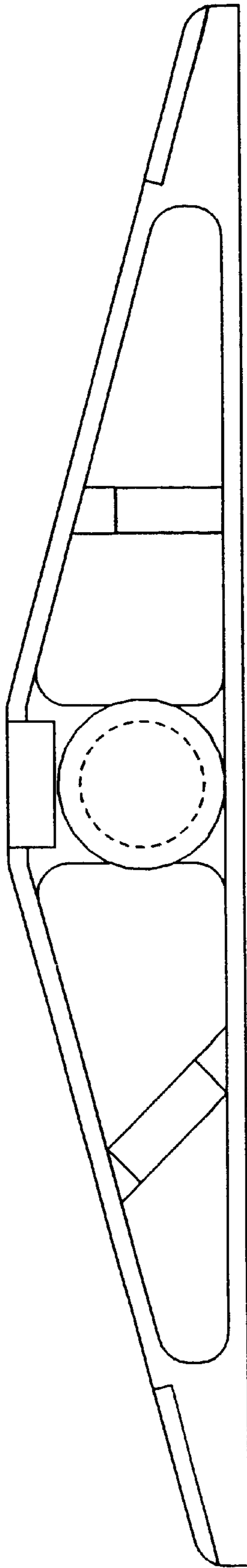


FIG. 3

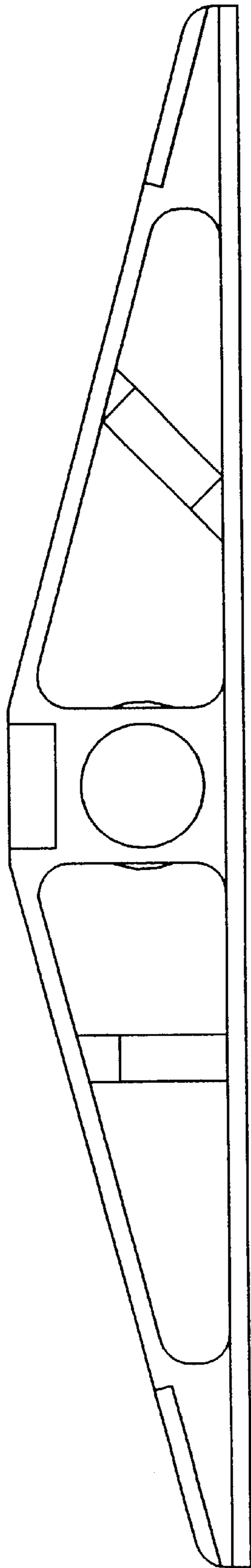


FIG. 4