



US00D486074S

(12) **United States Design Patent**  
**Kubo et al.**

(10) **Patent No.:** **US D486,074 S**

(45) **Date of Patent:** **\*\* Feb. 3, 2004**

(54) **WATCH CASE**

(75) **Inventors:** **Tatsuya Kubo, Iruma (JP); Tatsumi Anno, Oume (JP)**

(73) **Assignee:** **Casio Keisanki Kabushiki Kaisha, Tokyo (JP)**

(\*\*) **Term:** **14 Years**

(21) **Appl. No.:** **29/182,264**

(22) **Filed:** **May 22, 2003**

(51) **LOC (7) Cl.** ..... **10-02**

(52) **U.S. Cl.** ..... **D10/30**

(58) **Field of Search** ..... D10/1-40, 122-132;  
368/280-282, 276-277, 285, 294-295

(56) **References Cited**

**U.S. PATENT DOCUMENTS**

D251,055 S	*	2/1979	Sulek	.....	D10/38
D348,013 S	*	6/1994	Nomura	.....	D10/38
D361,522 S	*	8/1995	Chodat	.....	D10/30
D361,528 S	*	8/1995	Hayashi et al.	.....	D10/39
D373,538 S	*	9/1996	Riley	.....	D10/30
D378,061 S	*	2/1997	Ludvig	.....	D10/30

D378,314 S	*	3/1997	Koros et al.	.....	D24/155
D380,391 S	*	7/1997	Osit	.....	D10/30
D380,394 S	*	7/1997	Ludvig	.....	D10/32
D386,977 S	*	12/1997	Campilan	.....	D10/30
D417,401 S	*	12/1999	Houlihan et al.	.....	D10/30
D457,072 S	*	5/2002	Lai	.....	D10/30
D466,030 S	*	11/2002	Houlihan	.....	D10/30

\* cited by examiner

*Primary Examiner*—Nelson C. Holtje

(74) *Attorney, Agent, or Firm*—Frishauf, Holtz, Goodman & Chick, P.C.

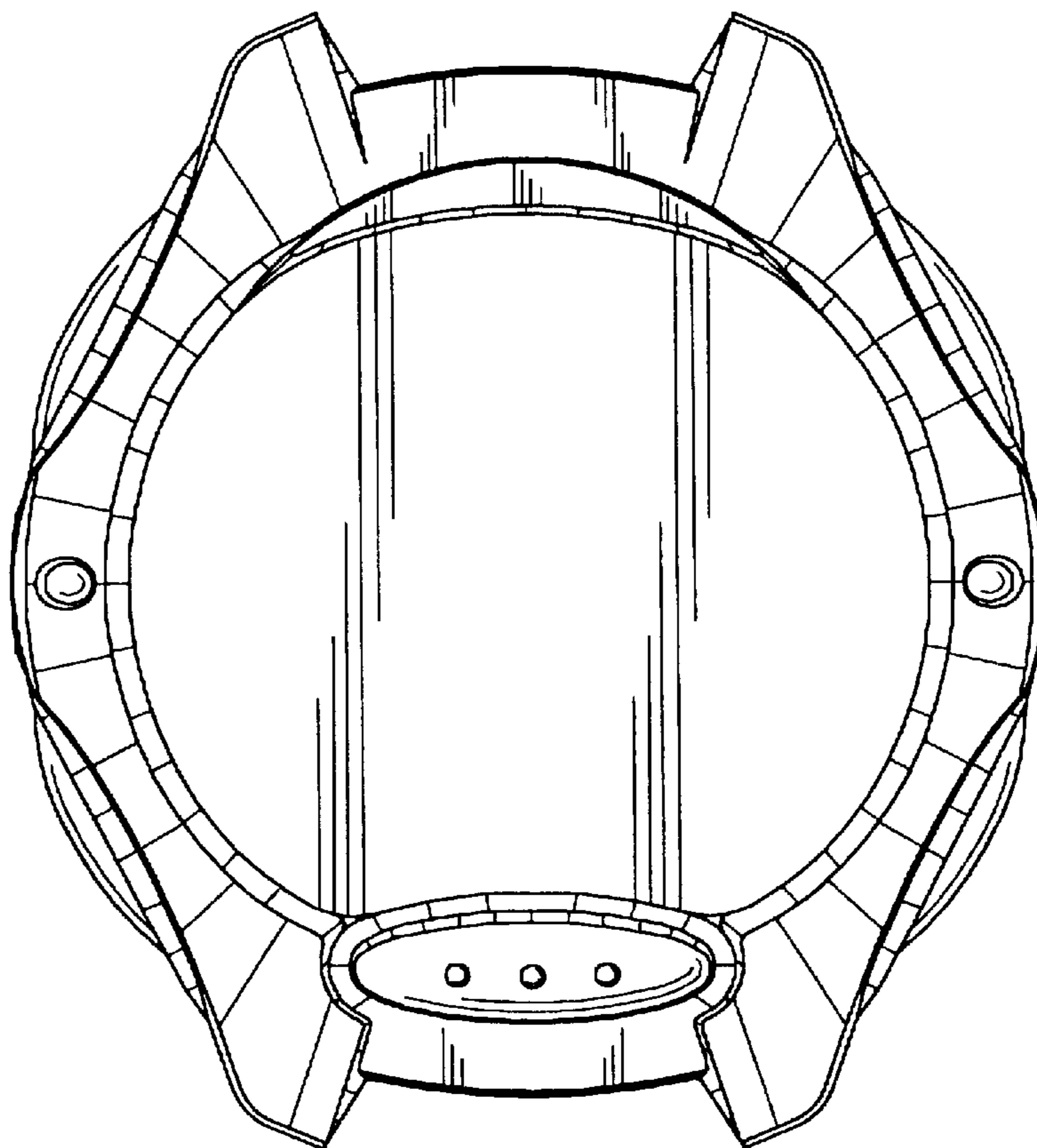
(57) **CLAIM**

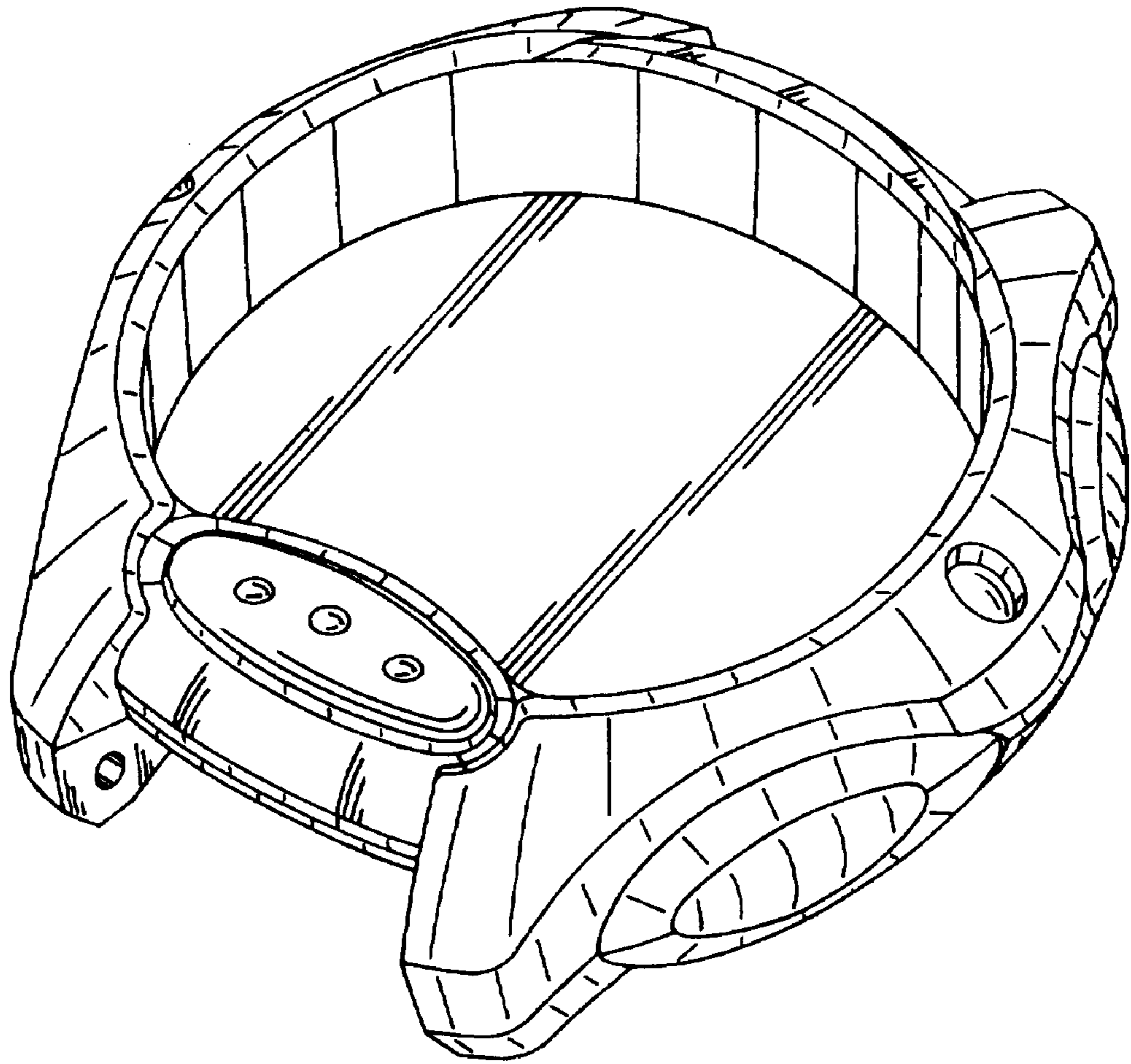
The ornamental design for watch case, as shown.

**DESCRIPTION**

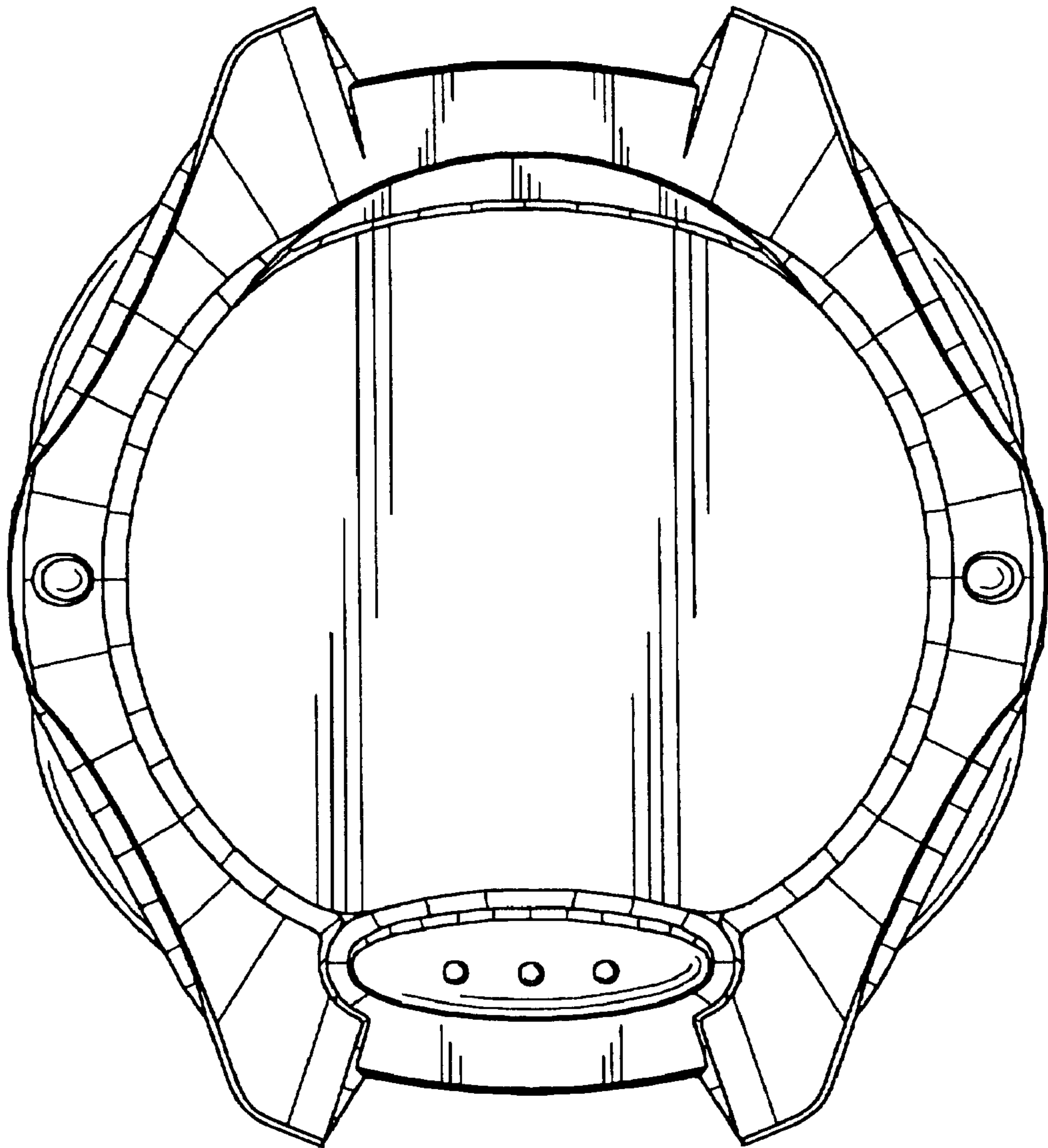
FIG. 1 is a front, right, bottom side perspective view of a watch case showing our new design;  
FIG. 2 is a front elevational view thereof;  
FIG. 3 is a rear elevational view thereof;  
FIG. 4 is a left side view thereof;  
FIG. 5 is a right side view thereof;  
FIG. 6 is a top plan view thereof; and,  
FIG. 7 is a bottom plan view thereof.

**1 Claim, 7 Drawing Sheets**

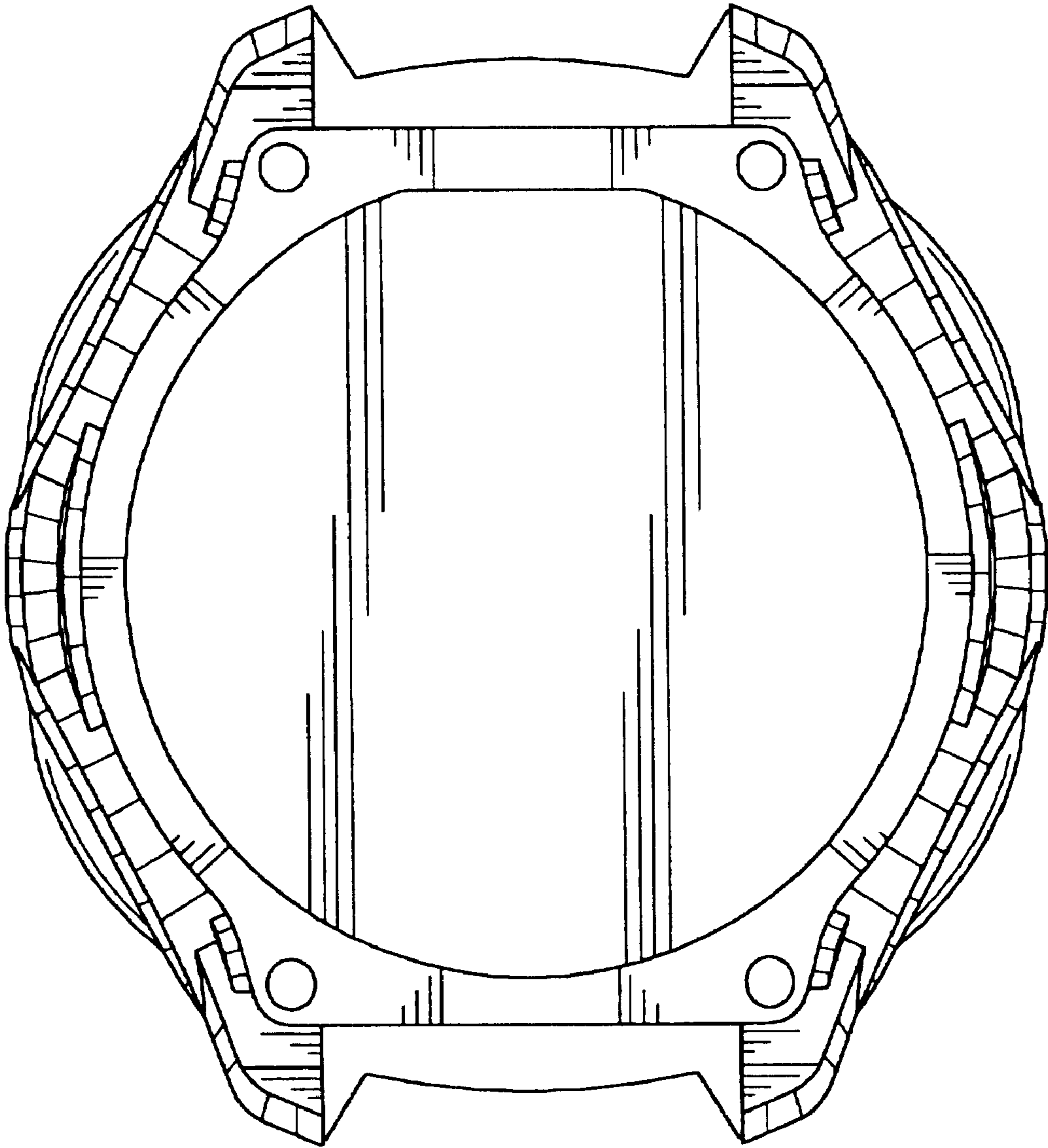




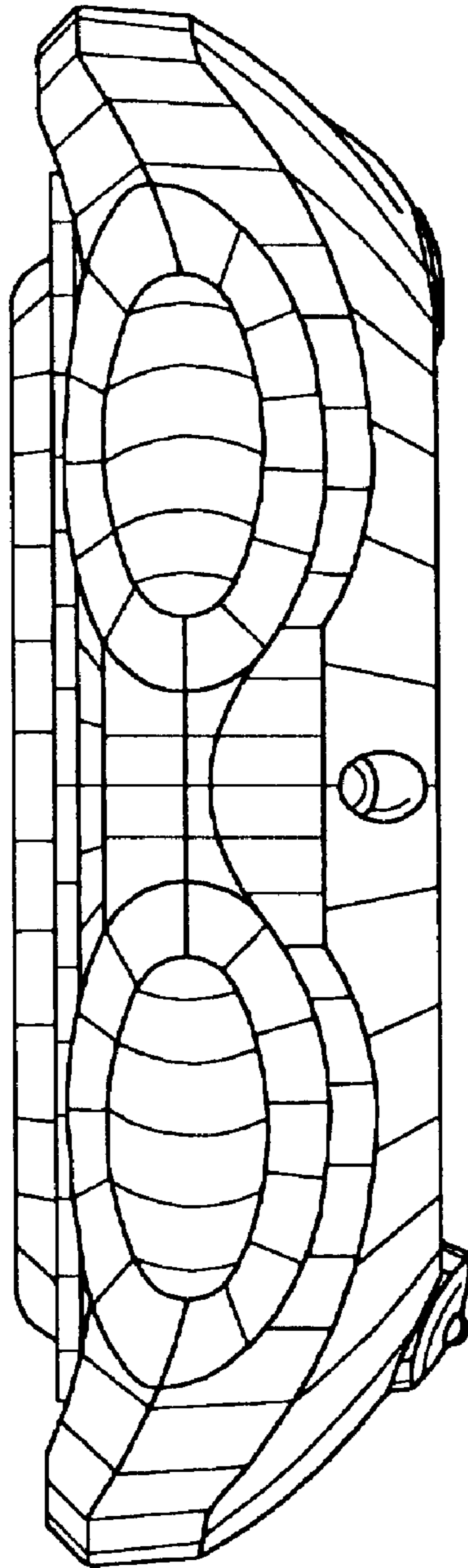
**FIG. 1**



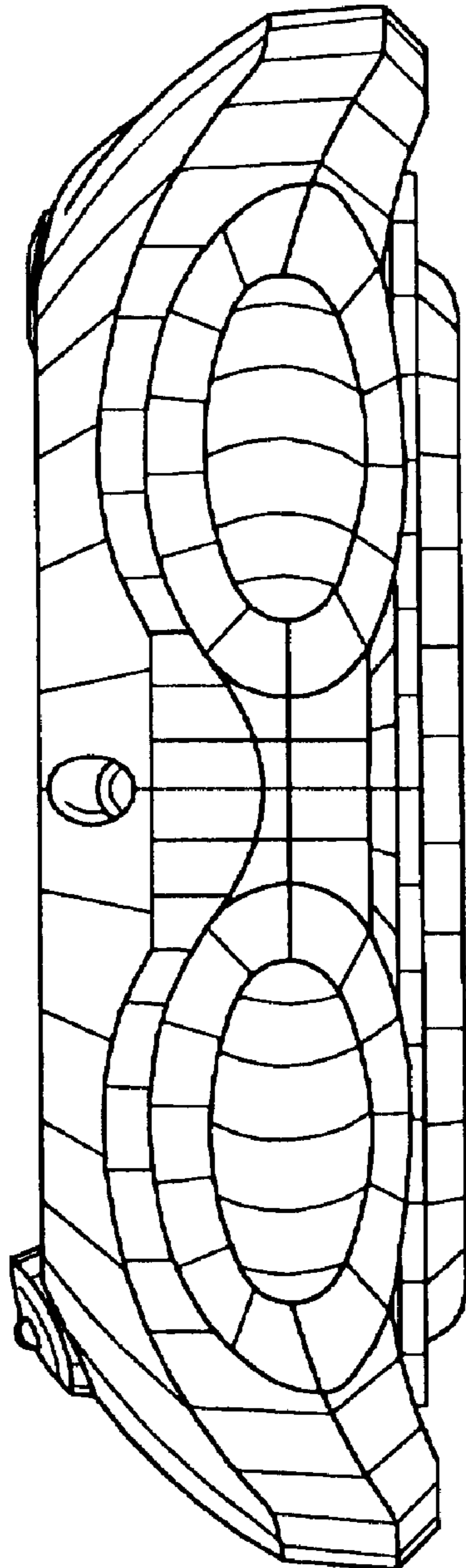
**FIG. 2**



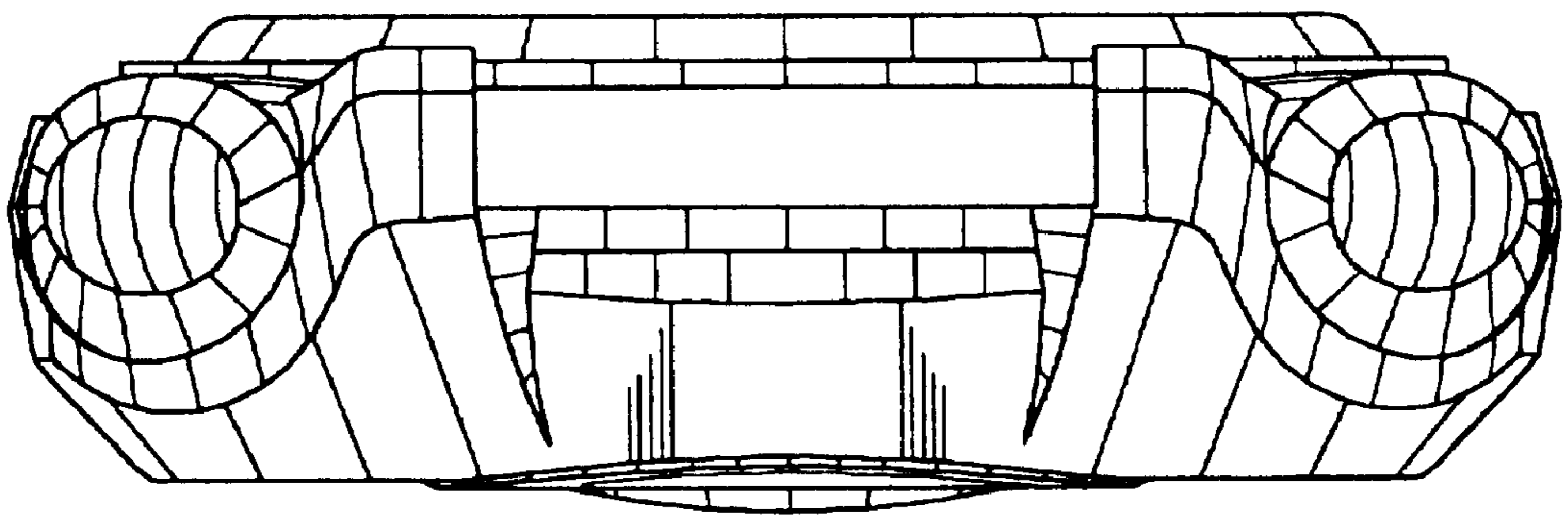
**FIG. 3**



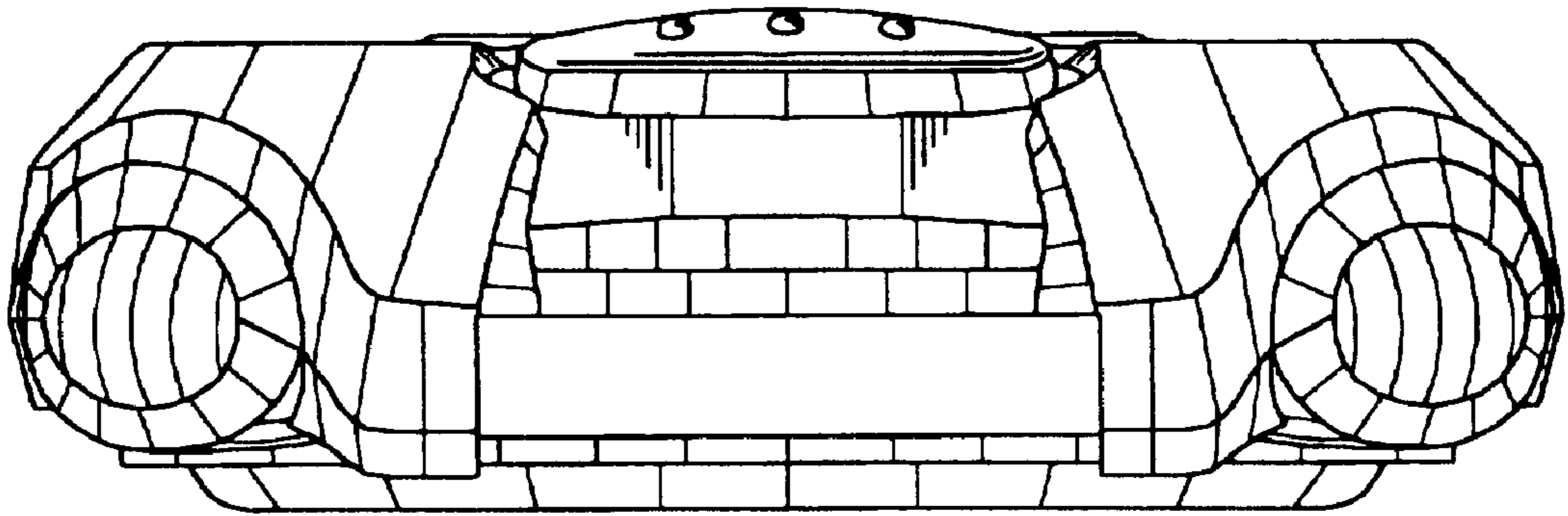
**FIG. 4**



**FIG. 5**



**FIG. 6**



**FIG. 7**