



US00D486073S

(12) **United States Design Patent**
Morgan

(10) **Patent No.:** **US D486,073 S**

(45) **Date of Patent:** **** Feb. 3, 2004**

(54) **SUNRISE CLOCK**

D467,817 S * 12/2002 Hsu D10/15
D469,499 S * 1/2003 Levine D22/120

(75) Inventor: **David Morgan**, London (GB)

OTHER PUBLICATIONS

(73) Assignee: **David Morgan Associates**, London (GB)

Hong Kong Enterprise—Jul. 1988—p. 185—clock at top.*

(**) Term: **14 Years**

* cited by examiner

Primary Examiner—Nelson C. Holtje
(74) *Attorney, Agent, or Firm*—Ezra Sutton

(21) Appl. No.: **29/174,614**

(22) Filed: **Jan. 22, 2003**

(57) **CLAIM**

(51) **LOC (7) Cl.** **10-01**

The ornamental design for a sunrise clock, as shown and described.

(52) **U.S. Cl.** **D10/18; D10/15**

(58) **Field of Search** D10/1-40, 122-132;
368/28-30, 41-44, 82-84, 239-242, 276-277,
280-282, 285; D14/171

DESCRIPTION

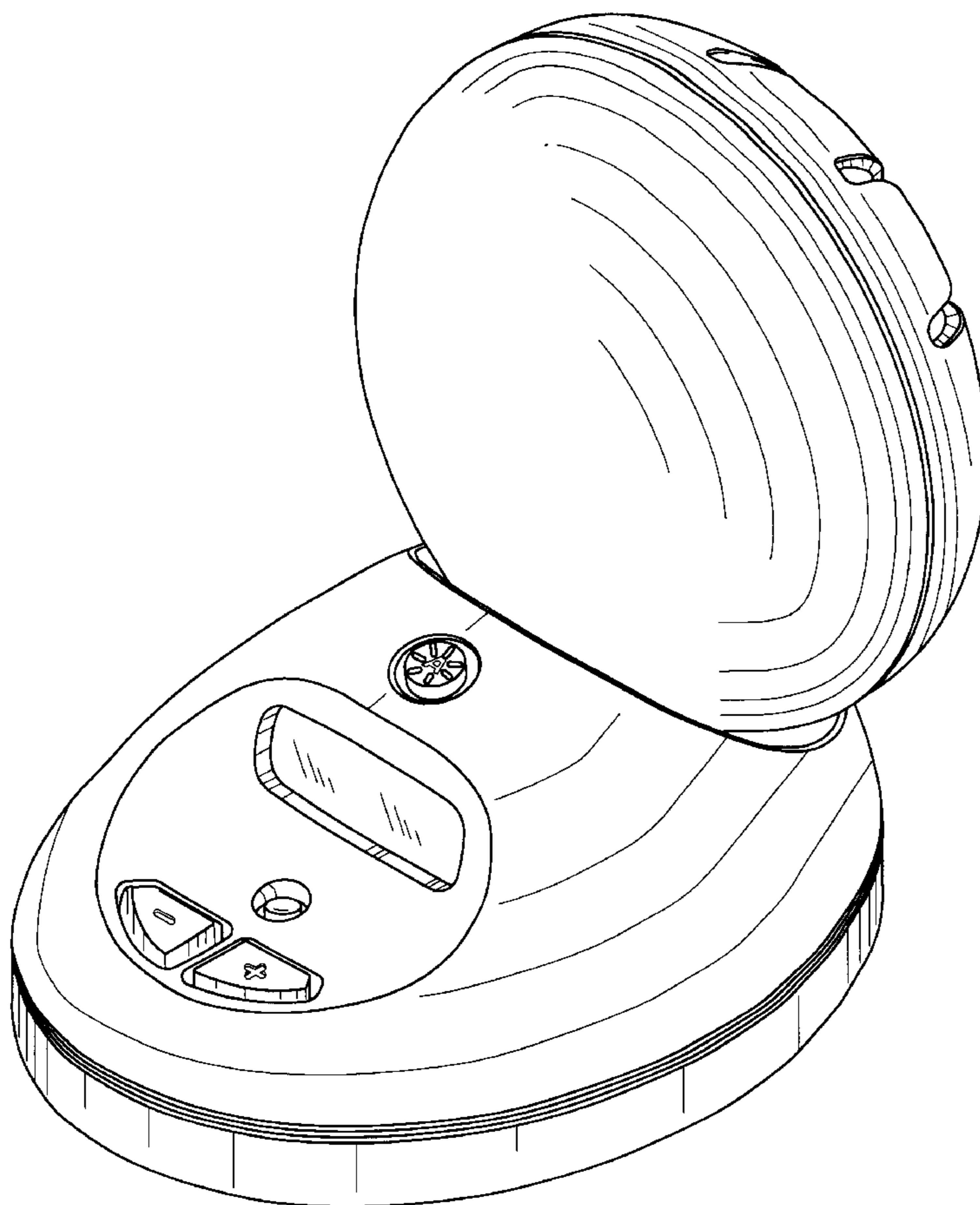
(56) **References Cited**

FIG. 1 is a perspective view showing a first embodiment of my design for a sunrise clock;
FIG. 2 is a top view thereof;
FIG. 3 is a bottom view thereof;
FIG. 4 is a front view thereof;
FIG. 5 is a rear view thereof; and,
FIG. 6 is a left side view thereof, the right side view being a mirror image thereof.

U.S. PATENT DOCUMENTS

D37,411 S * 4/1905 McGraw D10/128
D117,828 S * 11/1939 Bowers D10/3
D415,431 S * 10/1999 Duke D10/15
D437,236 S * 2/2001 Hargrove, III D10/15
D450,598 S * 11/2001 Chan D10/4

1 Claim, 6 Drawing Sheets



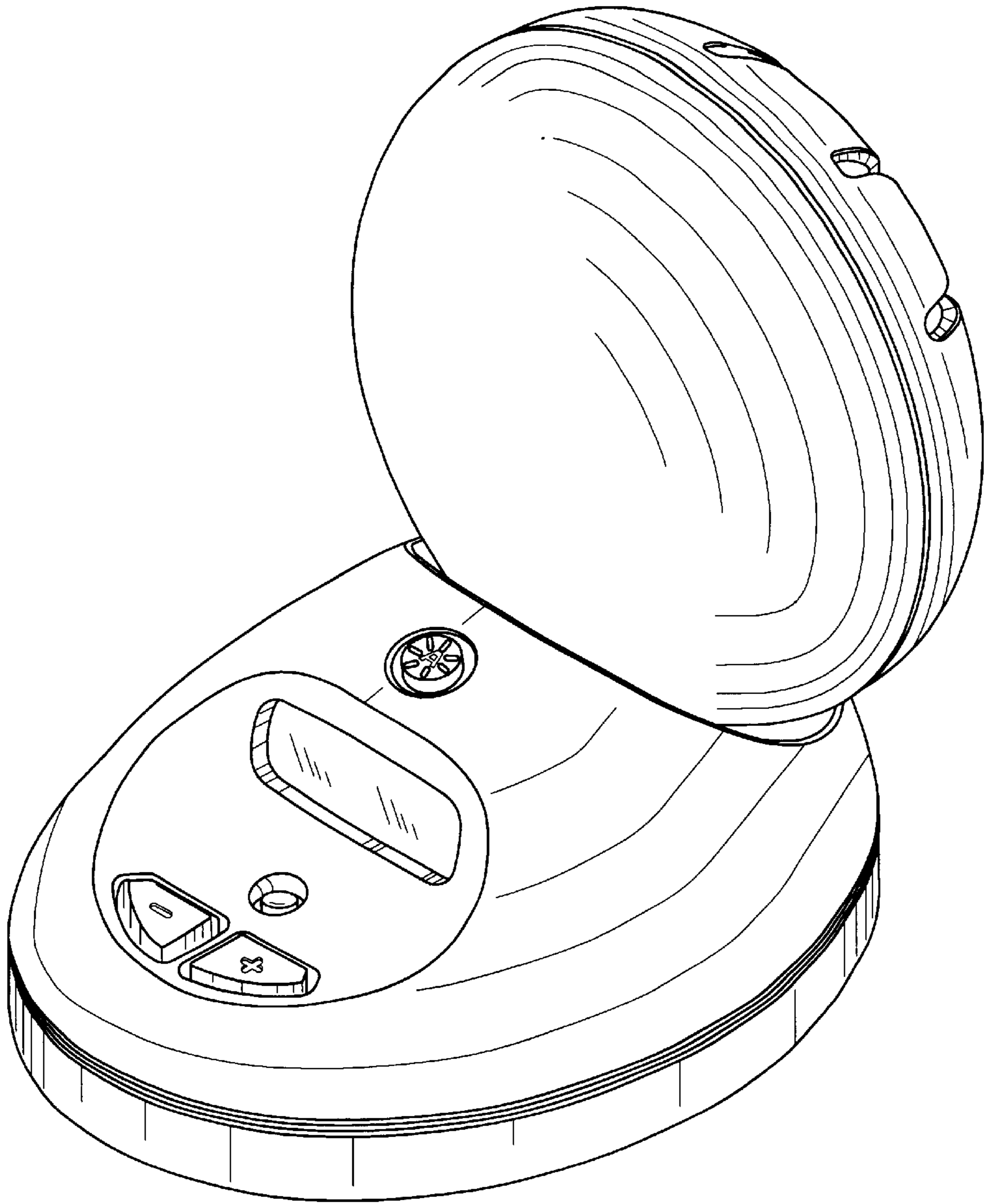


FIG. 1

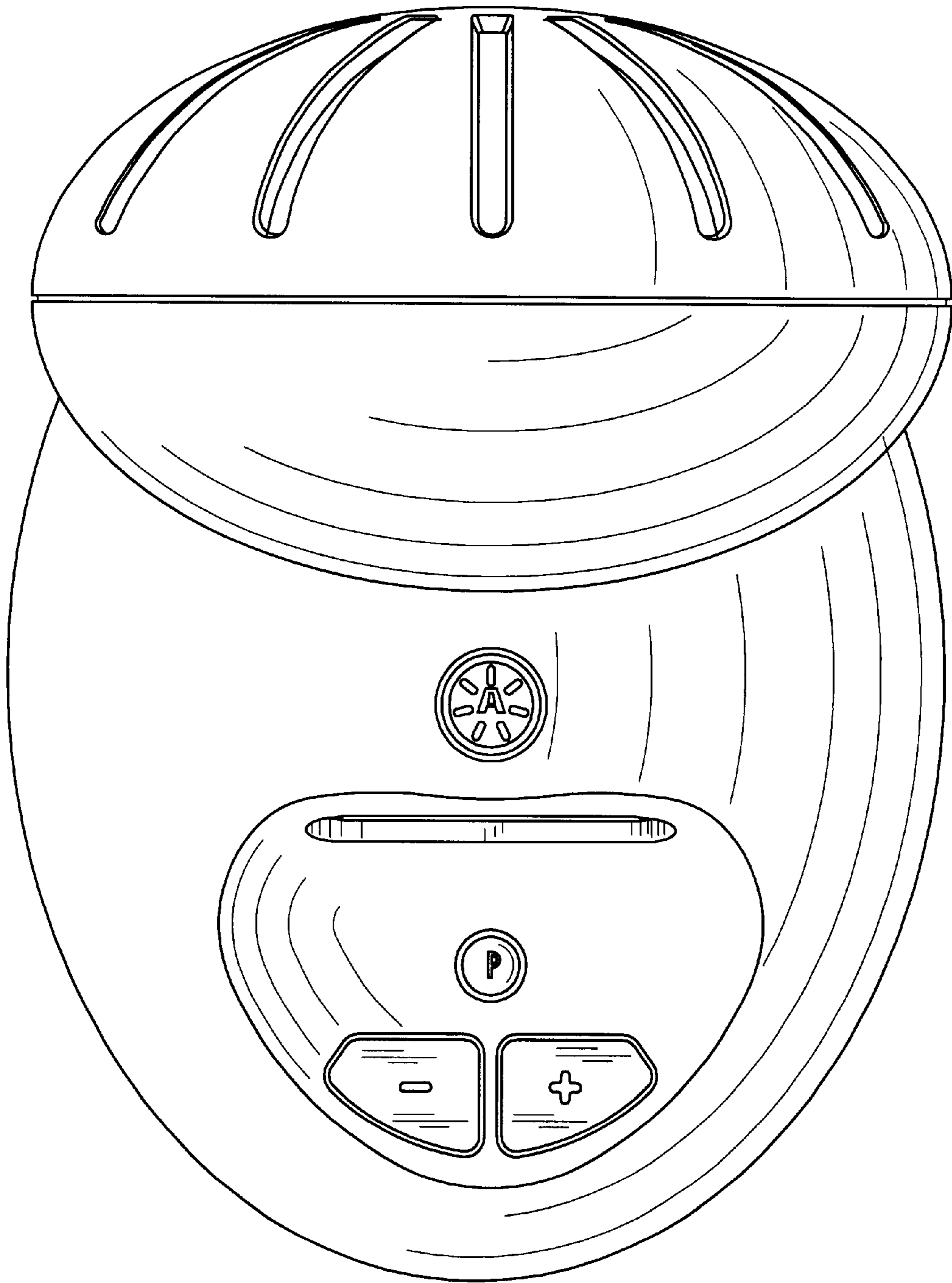


FIG. 2

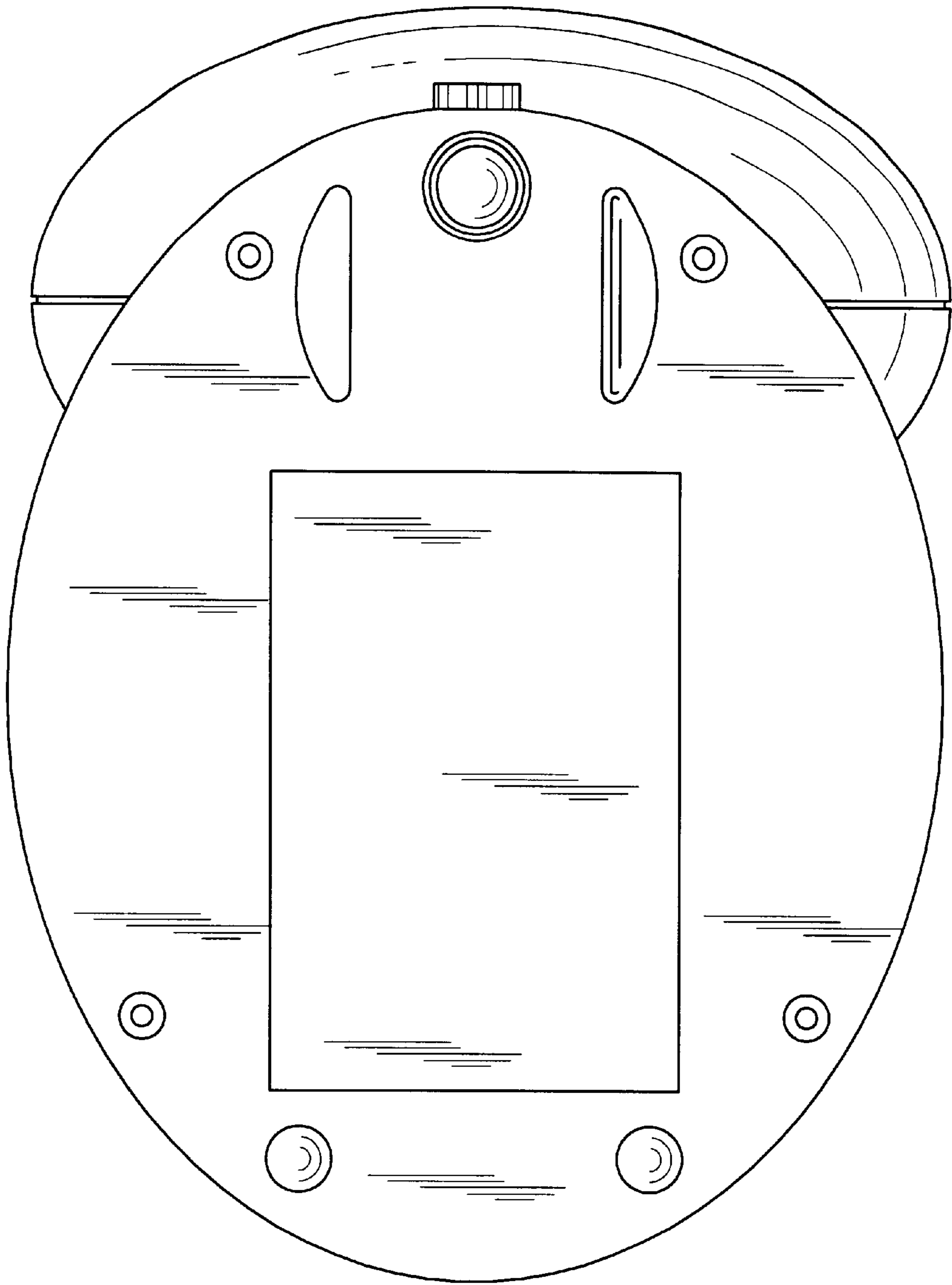


FIG. 3

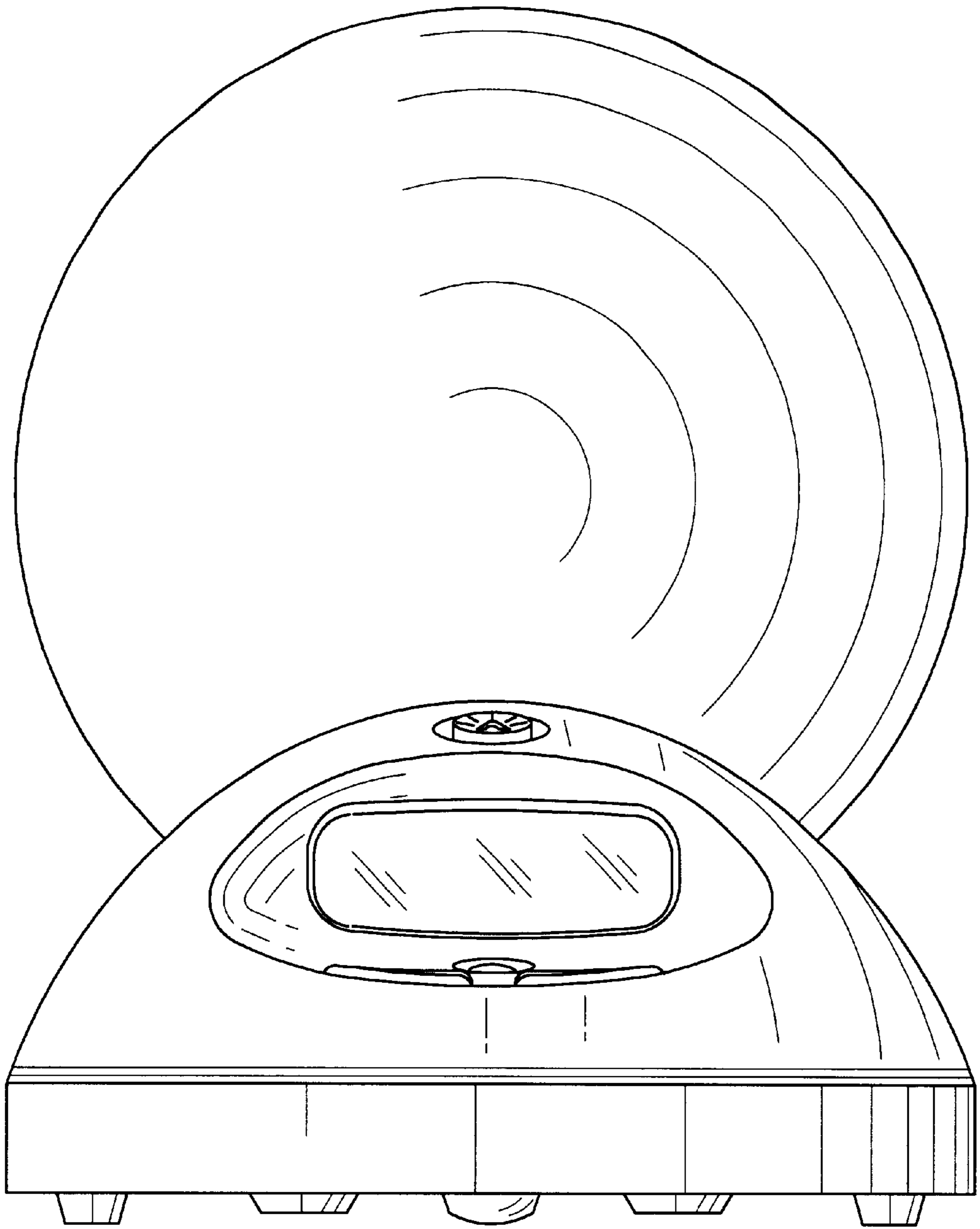


FIG. 4

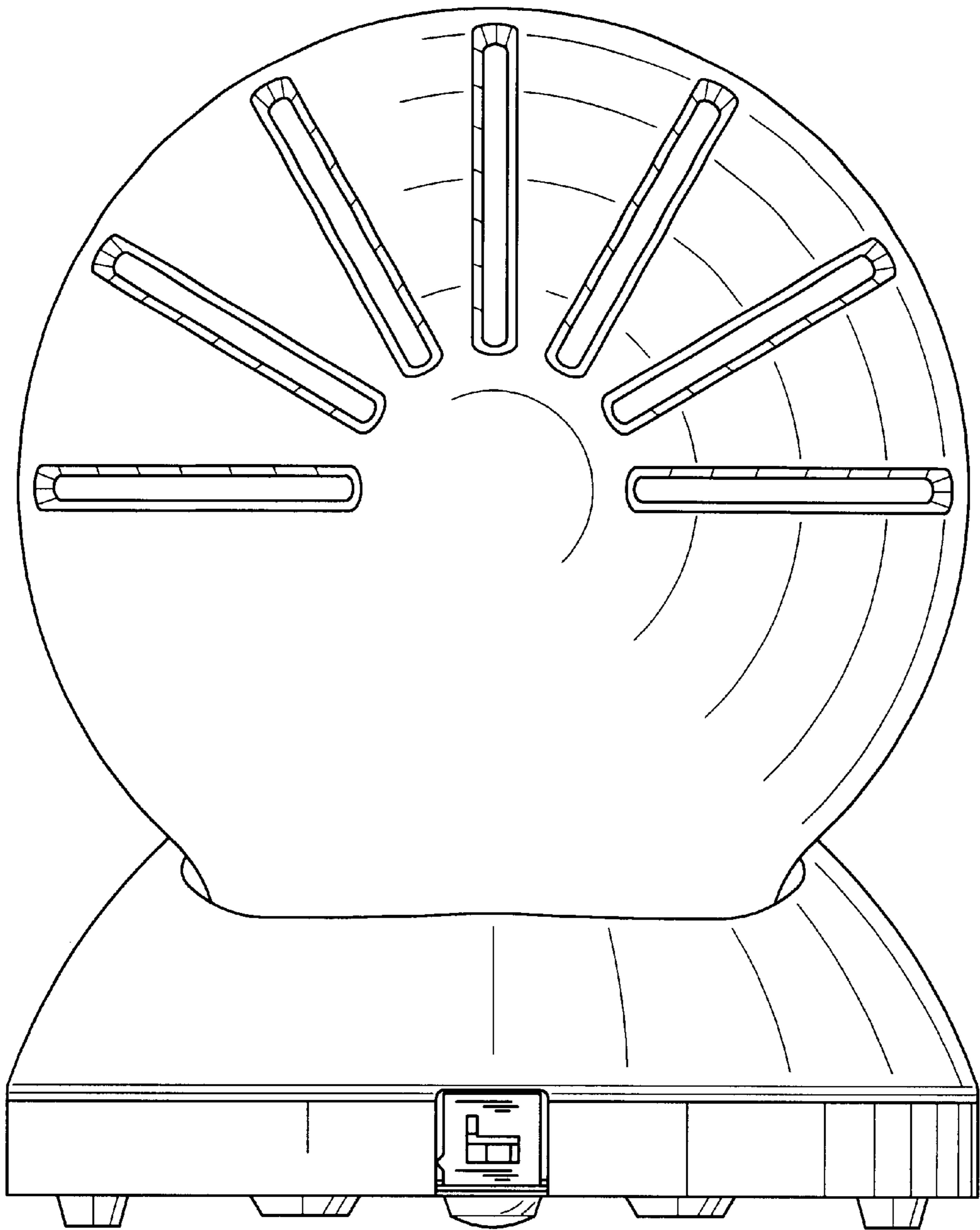


FIG. 5

