



US00D486070S

(12) **United States Design Patent**  
**Walsh et al.**

(10) **Patent No.: US D486,070 S**

(45) **Date of Patent: \*\* Feb. 3, 2004**

(54) **CONTAINER**

(75) Inventors: **Michael J. Walsh**, Chesterfield, MO (US); **Jeffrey A. Schutte**, University City, MO (US); **Douglas W. Newman**, St. Charles, MO (US); **Mark A. Gilbertson**, Sauk City, WI (US); **Scott G. Manke**, Sun Prairie, WI (US); **Michael J. Brock**, Madison, WI (US)

(73) Assignee: **Masterchem Industries, Inc.**, Imperial, MO (US)

(\*\*) Term: **14 Years**

(21) Appl. No.: **29/176,662**

(22) Filed: **Feb. 25, 2003**

**Related U.S. Application Data**

(63) Continuation of application No. 29/157,504, filed on Mar. 20, 2002, now Pat. No. Des. 474,115.

(51) **LOC (7) Cl. .... 09-01**

(52) **U.S. Cl. .... D9/530; D9/516; D9/575**

(58) **Field of Search .... D9/414, 422, 426, D9/432, 424, 532, 560, 530, 539, 540, 570, 523, 528; 220/601, 675, 696, 761, 766, 770, 4.27, 23.83, 561; 215/382-385; D32/53, 53.1; D34/39; 156/94, 250, 264**

(56) **References Cited**

**U.S. PATENT DOCUMENTS**

- D193,446 S 8/1962 Houghton
- D204,171 S 3/1966 Szajna
- D215,411 S \* 9/1969 Anderson ..... D9/560 X
- D217,231 S 4/1970 Pashman
- D261,088 S \* 10/1981 Akimov et al. .... D9/532 X
- D266,741 S 11/1982 Cox

- 4,399,926 A 8/1983 Eidels-Dubovoy
- D277,362 S \* 1/1985 Epperson ..... D9/520
- D279,763 S 7/1985 Hestehave et al.
- D284,269 S \* 6/1986 Goettner ..... D9/500
- D286,024 S 10/1986 Murukurthy
- 4,805,793 A 2/1989 Brandt et al.
- D305,407 S 1/1990 Gonda
- D308,166 S 5/1990 Weckman
- D323,115 S 1/1992 Kelsey
- 5,092,474 A 3/1992 Leigner
- 5,269,438 A \* 12/1993 Kelsey ..... 220/766
- D378,494 S 3/1997 Miller
- D413,200 S 8/1999 Baker
- D426,161 S \* 6/2000 Hestehave et al. .... D9/560 X
- D435,455 S 12/2000 Gans
- D455,656 S 4/2002 Gans et al.
- 6,530,500 B2 3/2003 Bravo et al.

\* cited by examiner

*Primary Examiner*—Nanda Bondade

*Assistant Examiner*—Carol Rademaker

(74) *Attorney, Agent, or Firm*—Foley & Lardner

(57) **CLAIM**

The ornamental design for a container, as shown and described.

**DESCRIPTION**

FIG. 1 is a perspective view of a container; FIG. 2 is a front view of the design of FIG. 1; FIG. 3 is a rear view of the design of FIG. 1; FIG. 4 is a right view of the design of FIG. 1, the left view being a mirror image; and, FIG. 5 is a top view of the design of FIG. 1. The ornamental design which is claimed is shown in solid lines in the drawings. The broken lines in the drawings are for illustrative purposes only and form no part of the claimed design.

**1 Claim, 3 Drawing Sheets**

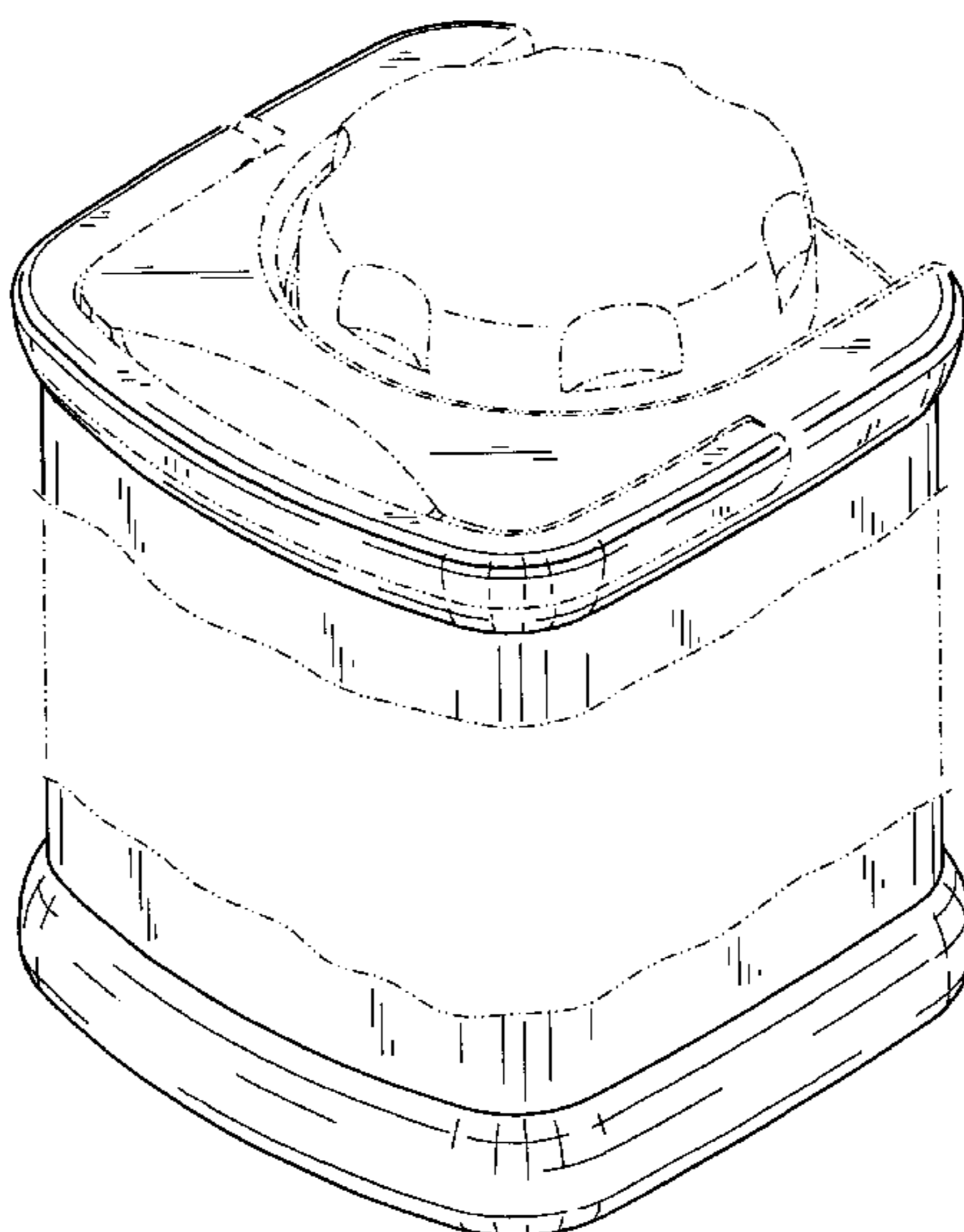


FIG. 1

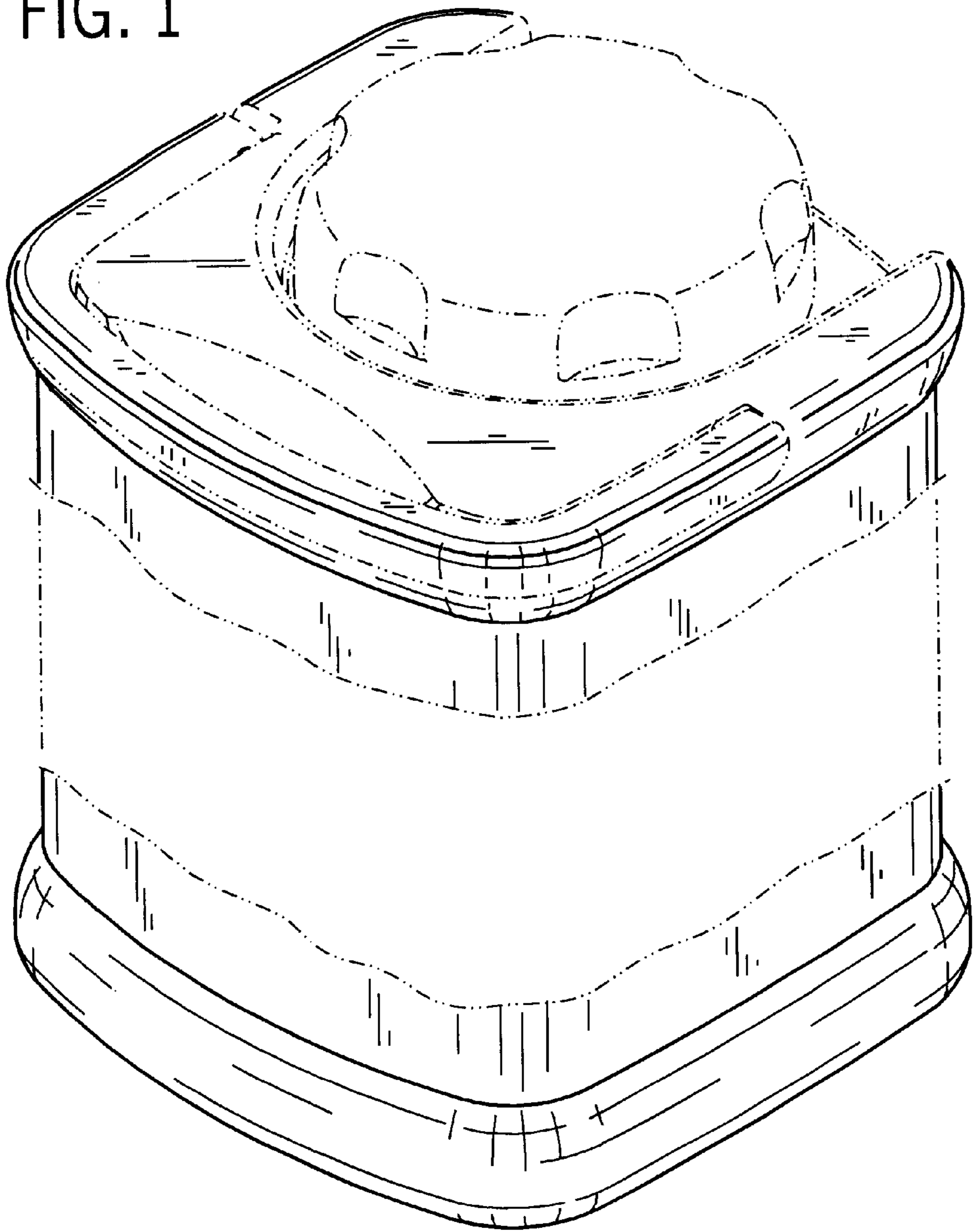


FIG. 2

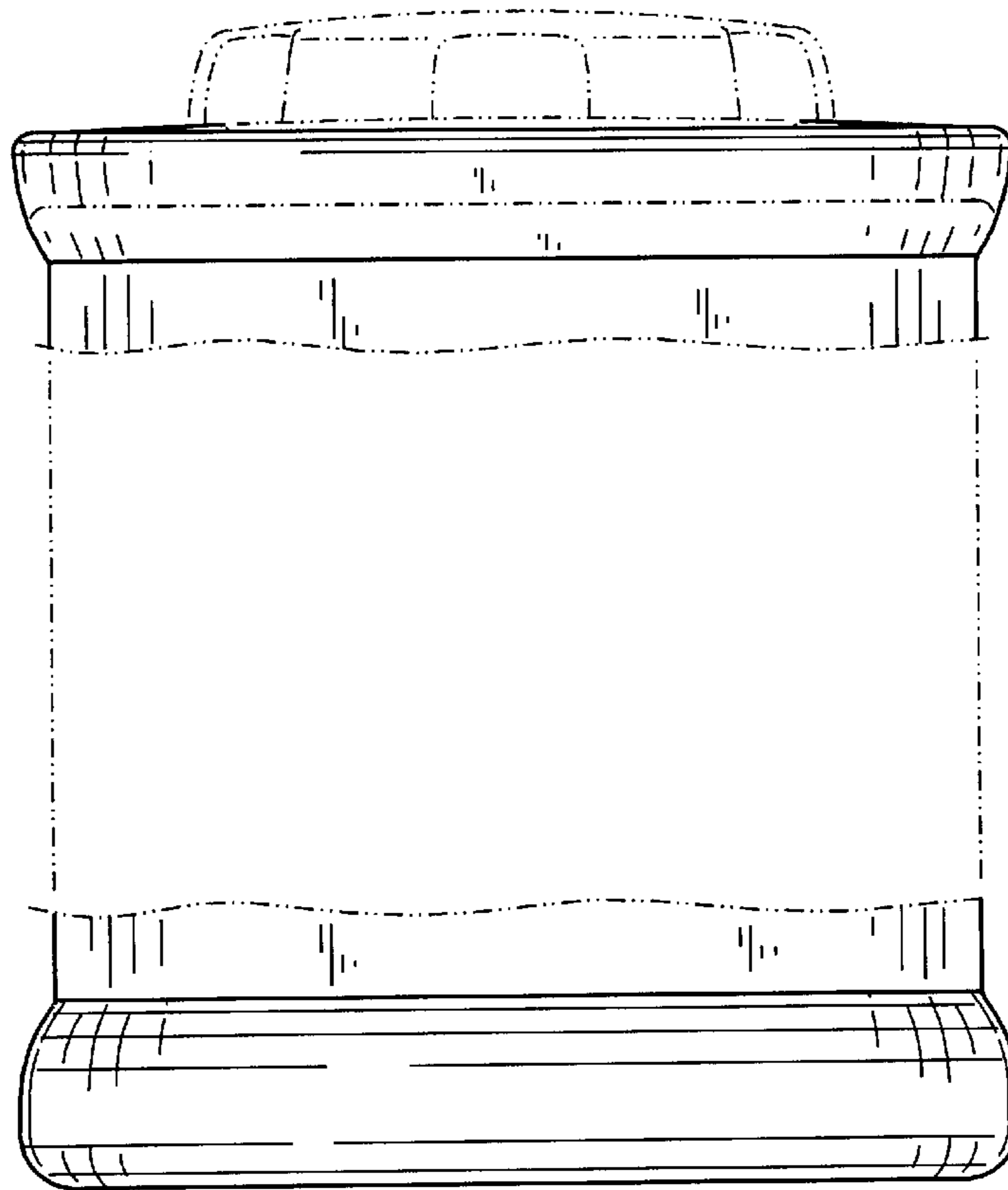


FIG. 3

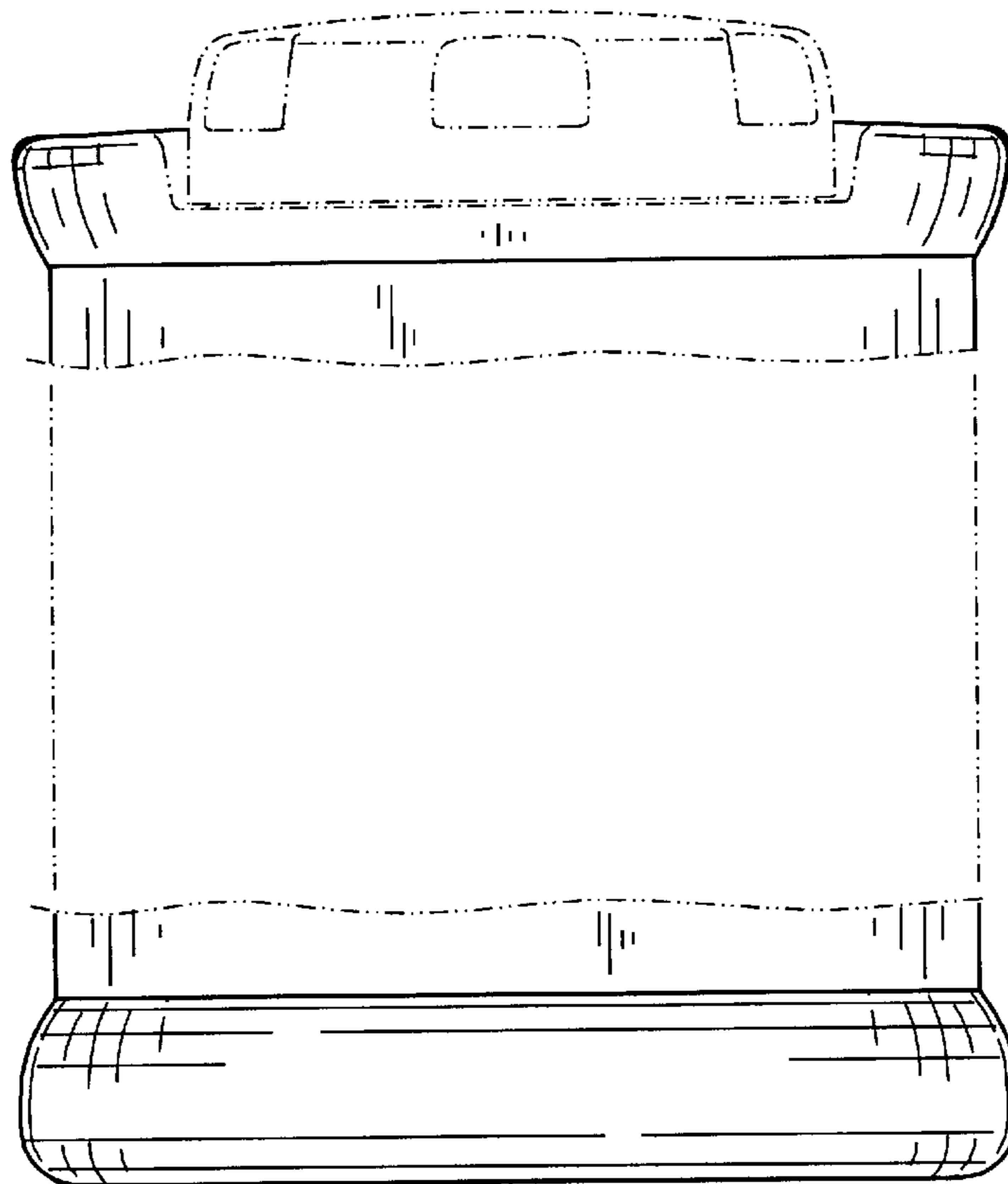


FIG. 4

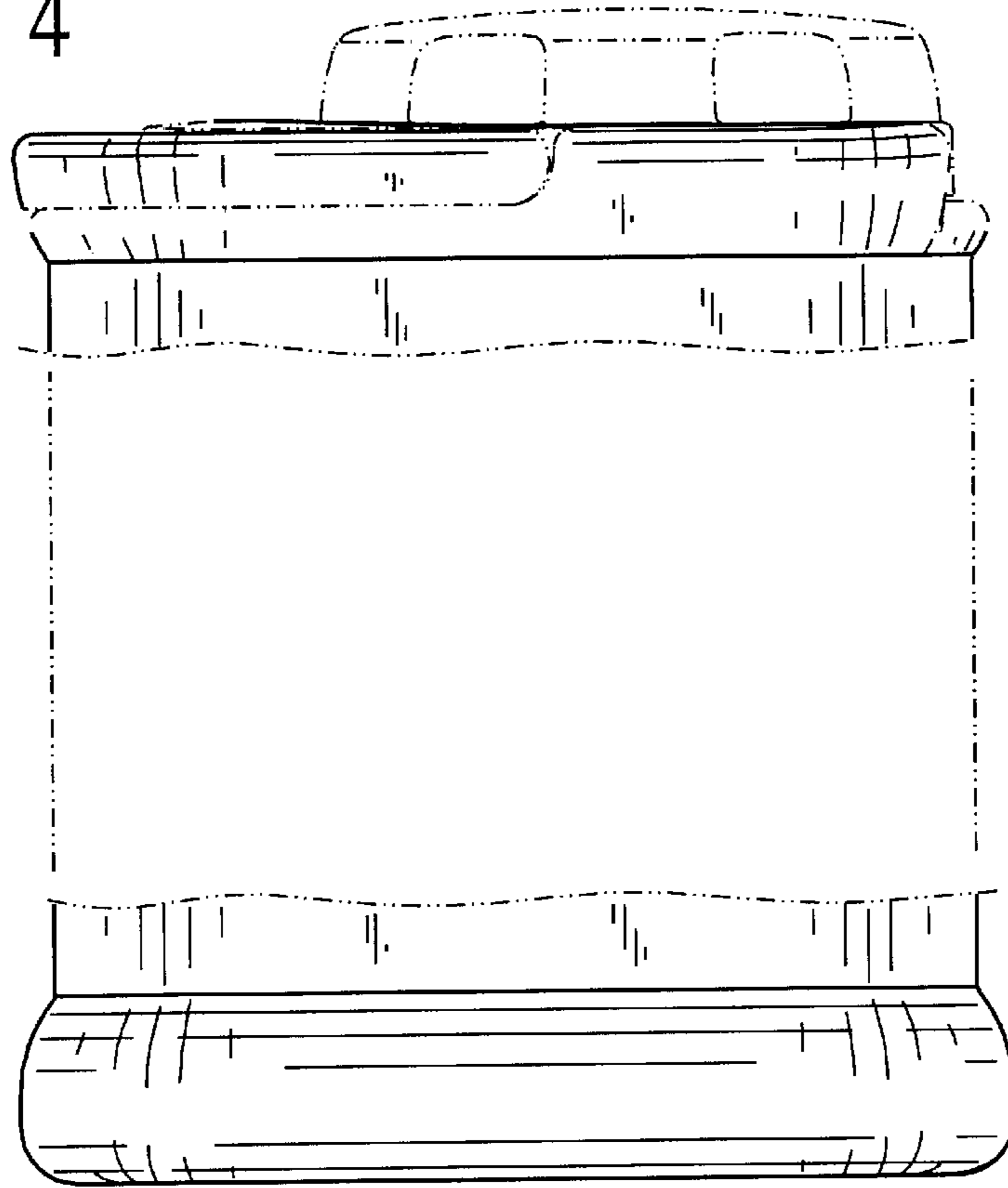


FIG. 5

